



US00D411218S

# United States Patent [19]

Kumakura et al.

[11] Patent Number: **Des. 411,218**

[45] Date of Patent: **\*\* Jun. 22, 1999**

[54] **SINGLE-LENS REFLEX CAMERA**

[75] Inventors: **Masakazu Kumakura**, Chiba; **Toshio Matsumoto**, Machida, both of Japan

[73] Assignee: **Canon Kabushiki Kaisha**, Tokyo, Japan

[\*\*] Term: **14 Years**

[21] Appl. No.: **29/090,836**

[22] Filed: **Jul. 17, 1998**

### [30] Foreign Application Priority Data

Jan. 21, 1998 [JP] Japan ..... 10-1254

[51] **LOC (6) Cl.** ..... **16-01**

[52] **U.S. Cl.** ..... **D16/217**

[58] **Field of Search** ..... D16/200-205,  
D16/208, 209, 216-218; 396/354-359,  
535-543

### [56] References Cited

#### U.S. PATENT DOCUMENTS

D. 317,929 7/1991 Tanaka et al. .... D16/217  
D. 324,691 3/1992 Sugiyama et al. .... D16/217  
D. 328,754 8/1992 Kumakura et al. .... D16/217

D. 328,755 8/1992 Kumakura et al. .... D16/217  
D. 339,367 9/1993 Yamamoto ..... D16/217  
D. 370,926 6/1996 Nakamura ..... D16/217  
D. 379,823 6/1997 Haga ..... D16/217  
D. 385,896 11/1997 Matsuda ..... D16/217  
D. 388,109 12/1997 Kimura et al. .... D16/217  
D. 390,245 2/1998 Kumakura ..... D16/209  
4,406,533 9/1983 Yamamoto ..... 396/206

*Primary Examiner*—Adir Aronovich  
*Attorney, Agent, or Firm*—Fitzpatrick, Cella, Harper & Scinto

### [57] CLAIM

The ornamental design for a single-lens reflex camera, as shown and described.

### DESCRIPTION

FIG. 1 is a front view of a single-lens reflex camera showing our new design;  
FIG. 2 is a rear view thereof;  
FIG. 3 is a top plan view thereof;  
FIG. 4 is a bottom plan view thereof;  
FIG. 5 is a left side view thereof;  
FIG. 6 is a right side view thereof; and,  
FIG. 7 is a perspective view thereof.

**1 Claim, 3 Drawing Sheets**

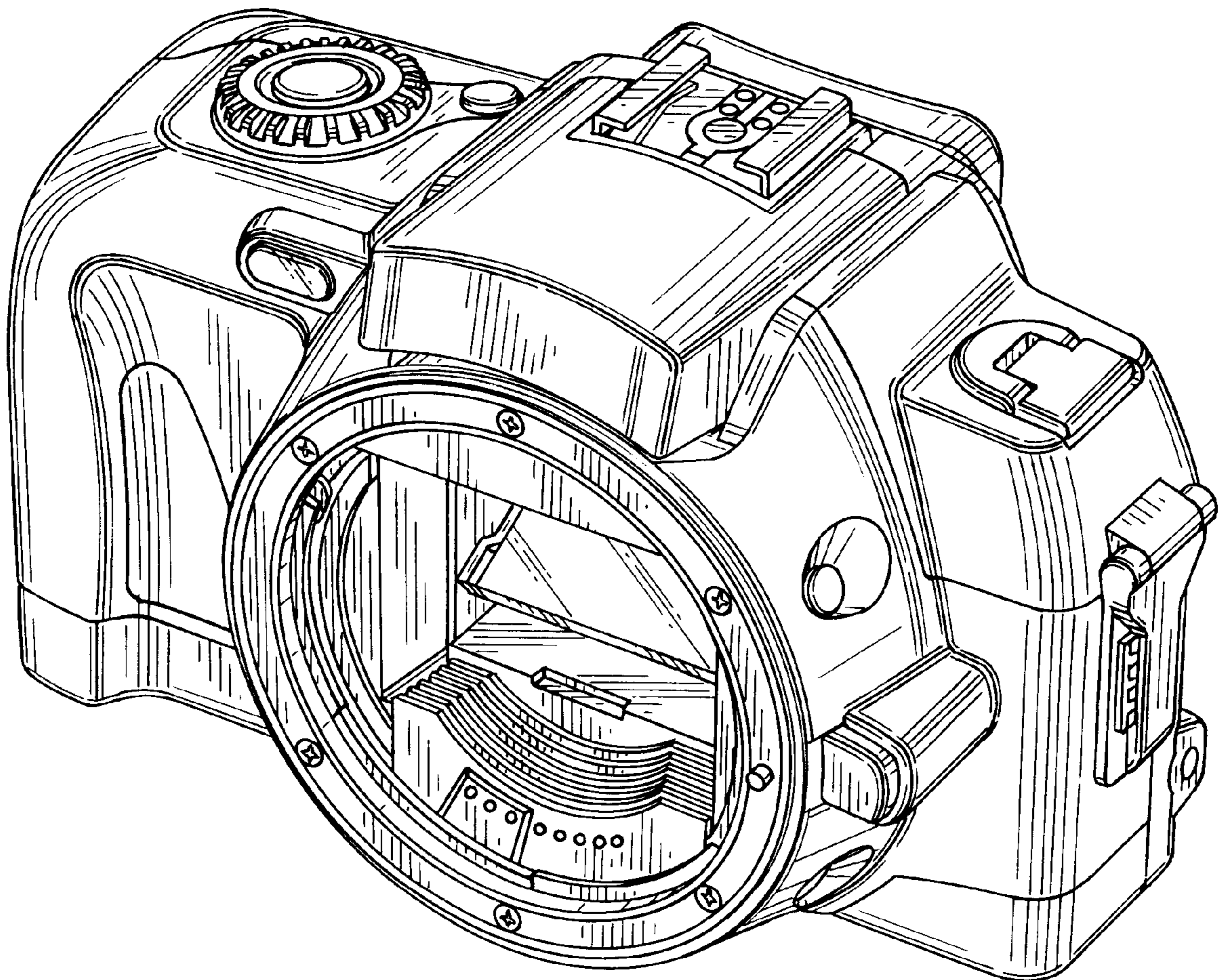


FIG. 1

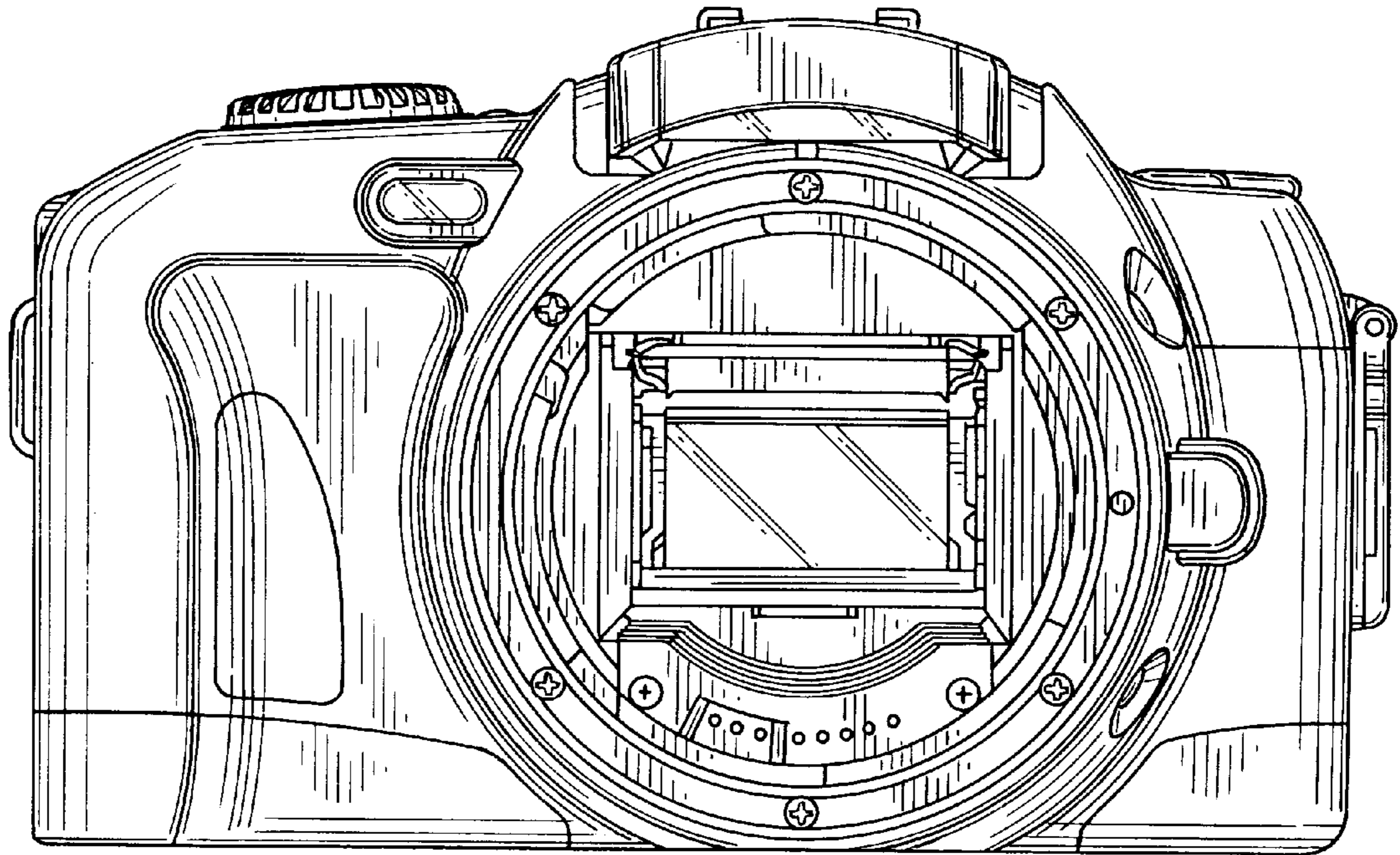


FIG. 2

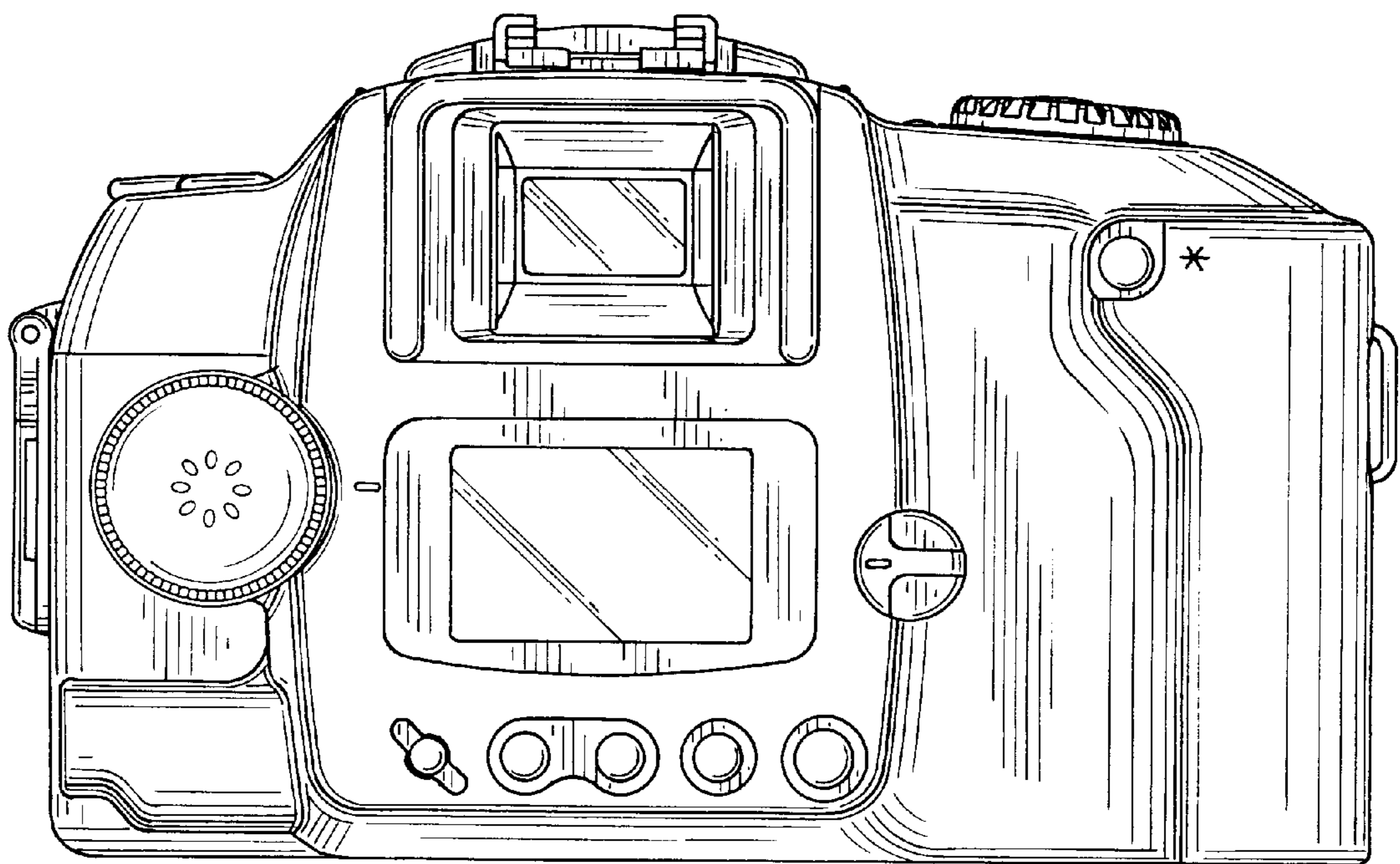


FIG. 3

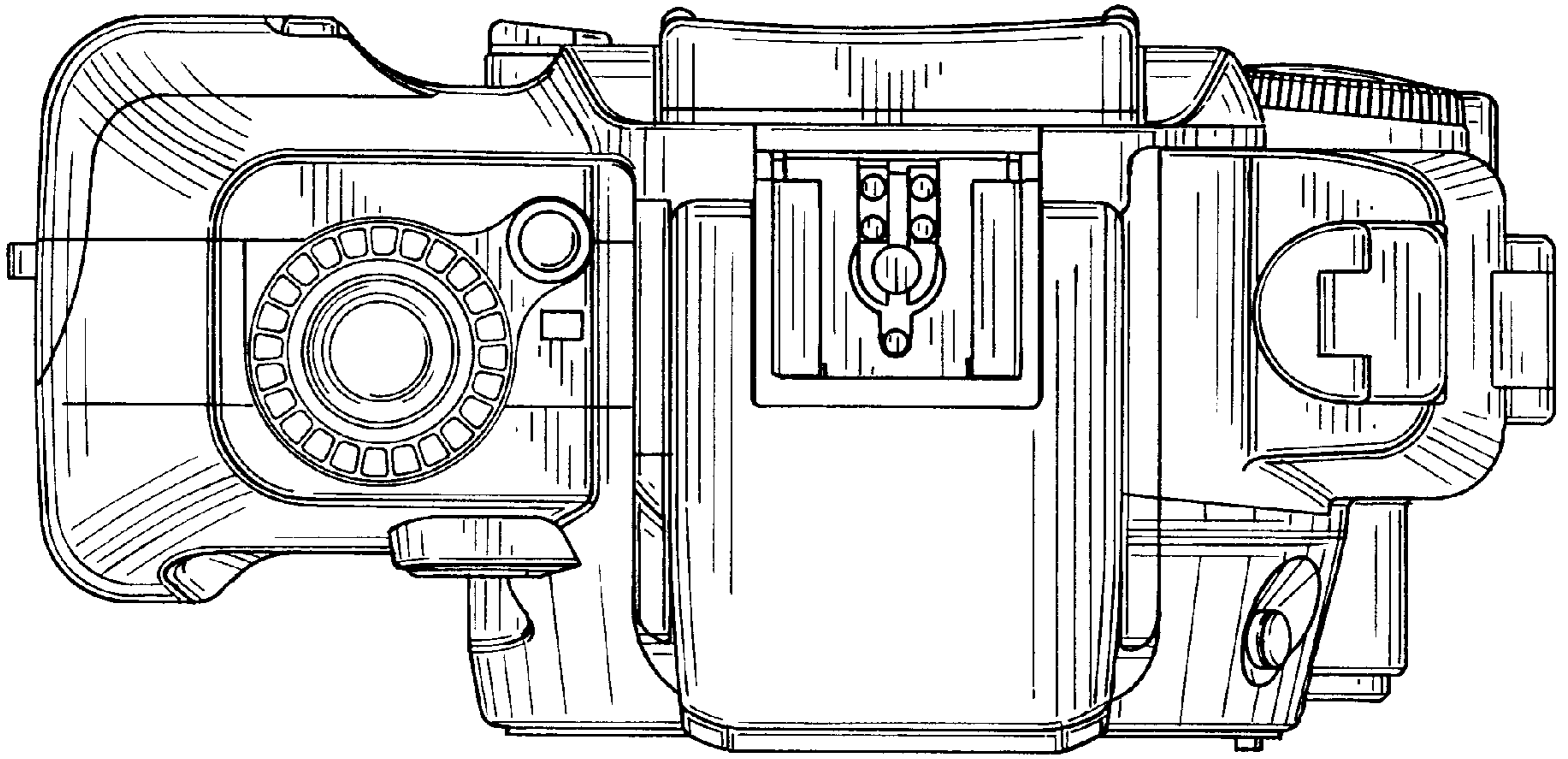


FIG. 4

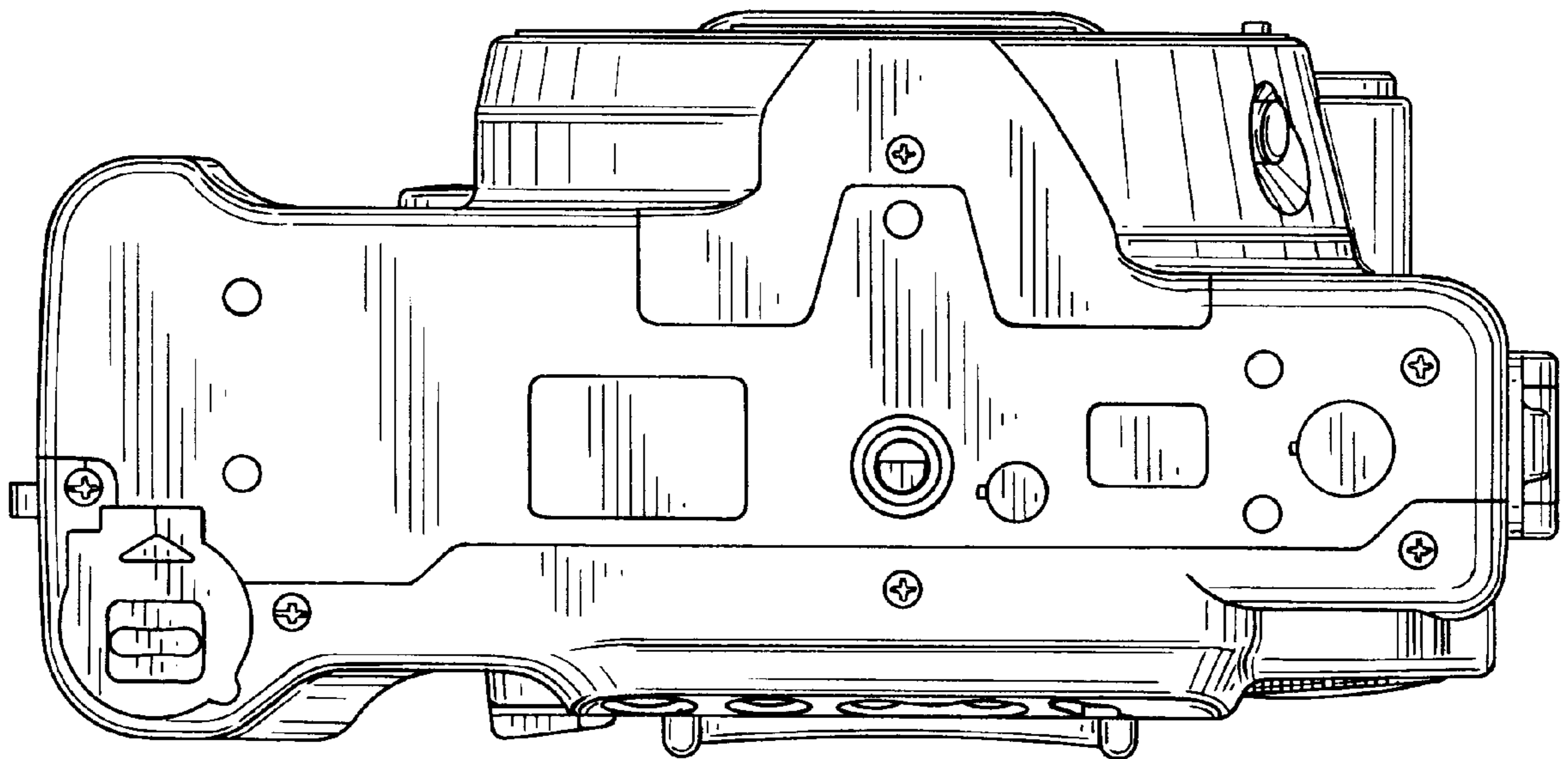


FIG. 5

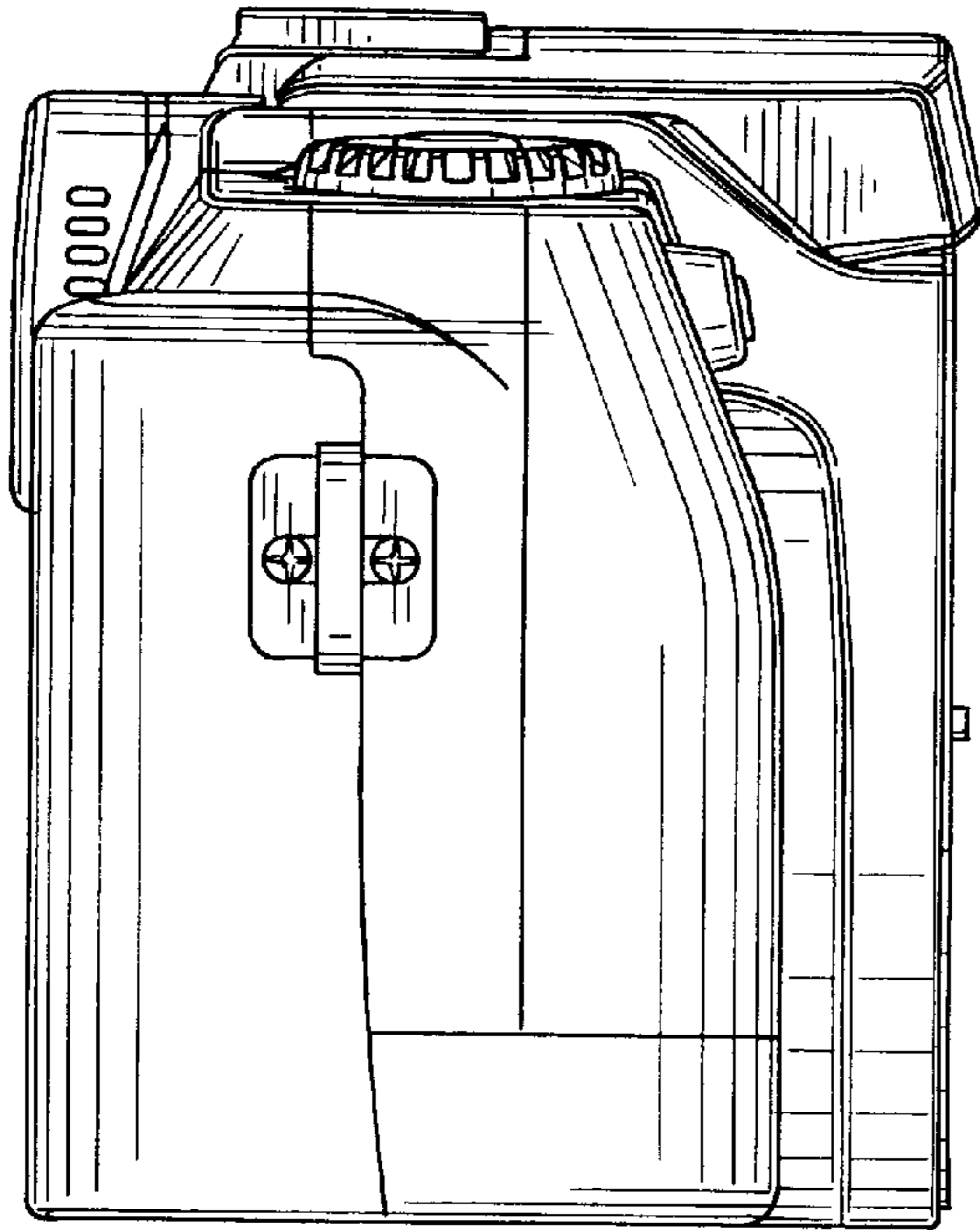


FIG. 6

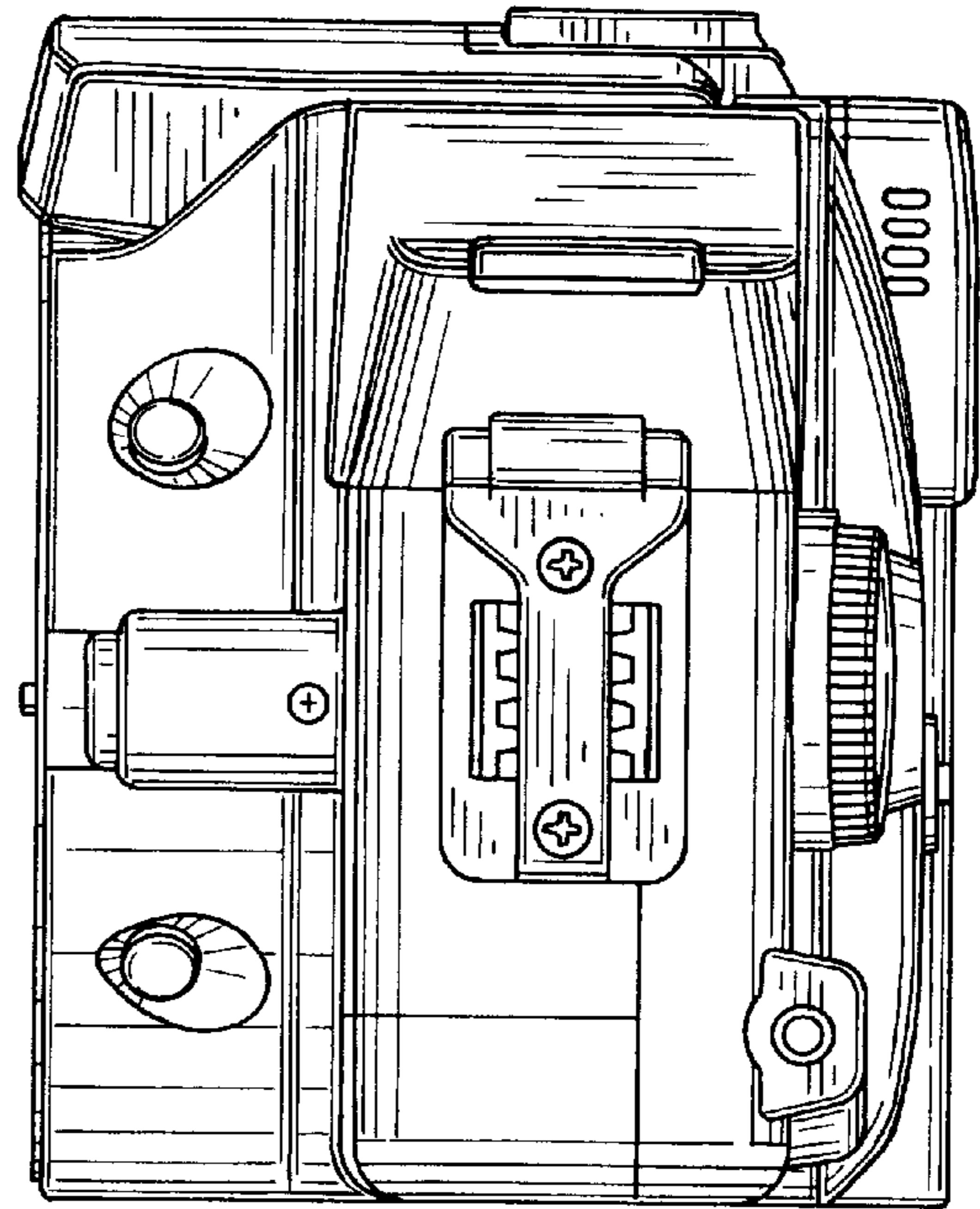


FIG. 7

