



US00D411217S

United States Patent [19]
McBride

[11] **Patent Number: Des. 411,217**

[45] **Date of Patent: ** Jun. 22, 1999**

[54] **UNDERWATER CAMERA**

4,335,944 6/1982 Marshall 396/28
5,778,259 7/1998 Rink 396/27

[76] Inventor: **Richard L. McBride**, P.O. Box 67330,
St. Pete Beach, Fla. 36736

Primary Examiner—Adir Aronovich
Attorney, Agent, or Firm—Larson & Larson, P.A.; James E. Larson

[**] Term: **14 Years**

[21] Appl. No.: **29/097,844**

[57] **CLAIM**

[22] Filed: **Dec. 15, 1998**

The ornamental design for an underwater camera, as shown and described.

[51] **LOC (6) Cl.** **16-01**

DESCRIPTION

[52] **U.S. Cl.** **D16/204**; 396/25

[58] **Field of Search** D16/200–205,
D16/208; 348/143, 373–376; 396/25–29,
535–543; 358/906

FIG. 1 is a perspective view of an underwater camera showing my novel design;
FIG. 2 is a left side elevational view thereof;
FIG. 3 is a front side view thereof;
FIG. 4 is a top plan view thereof; and,
FIG. 5 is a back side view thereof.

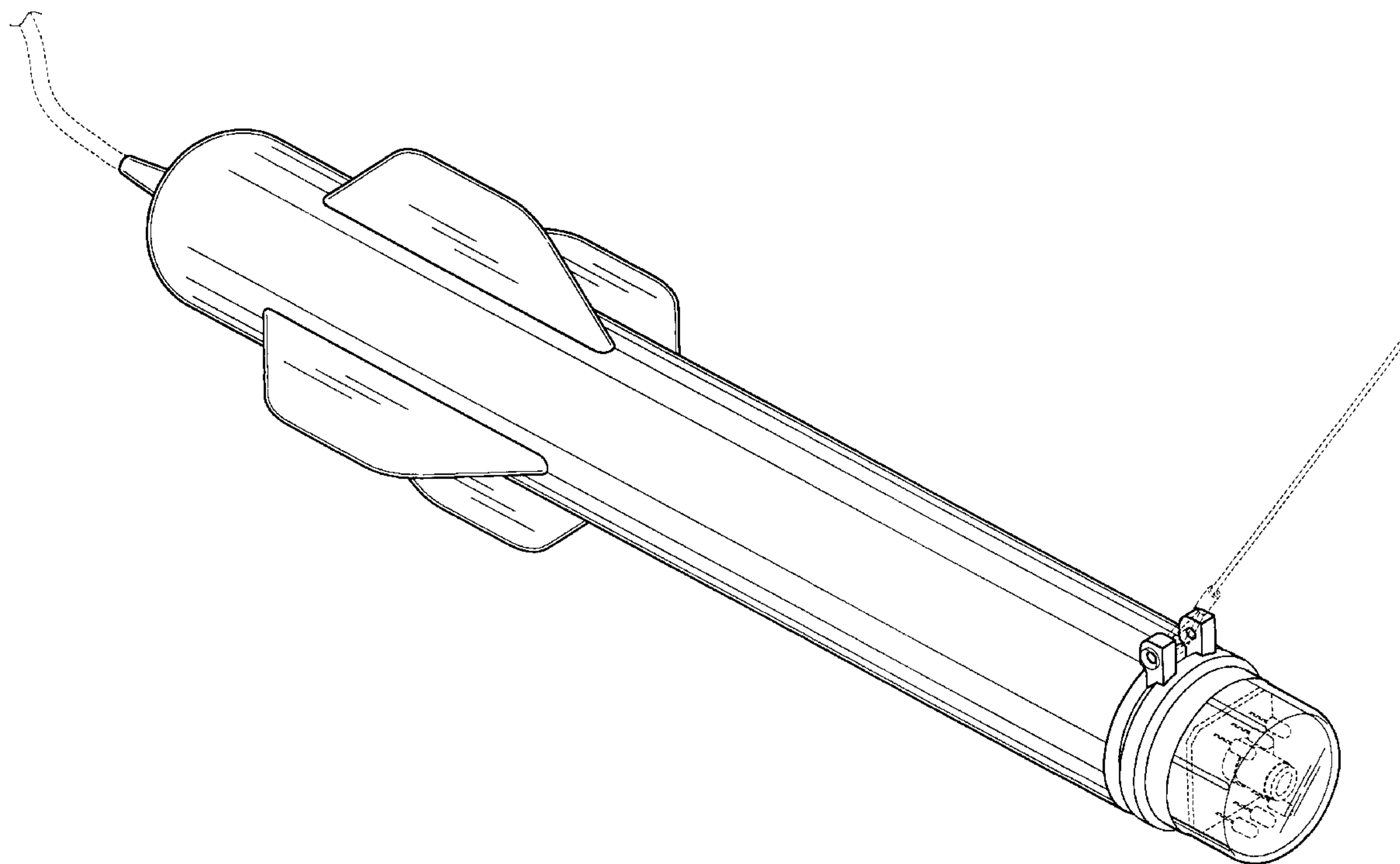
[56] **References Cited**

U.S. PATENT DOCUMENTS

D. 187,248 2/1960 Sampson D16/204
D. 275,571 9/1984 Carrington D16/204
D. 388,804 1/1998 Swayze et al. D16/202
2,963,543 12/1960 Link et al. 396/25

The broken lines shown in all views are for environmental purposes only and form no part of the claimed design.

1 Claim, 3 Drawing Sheets



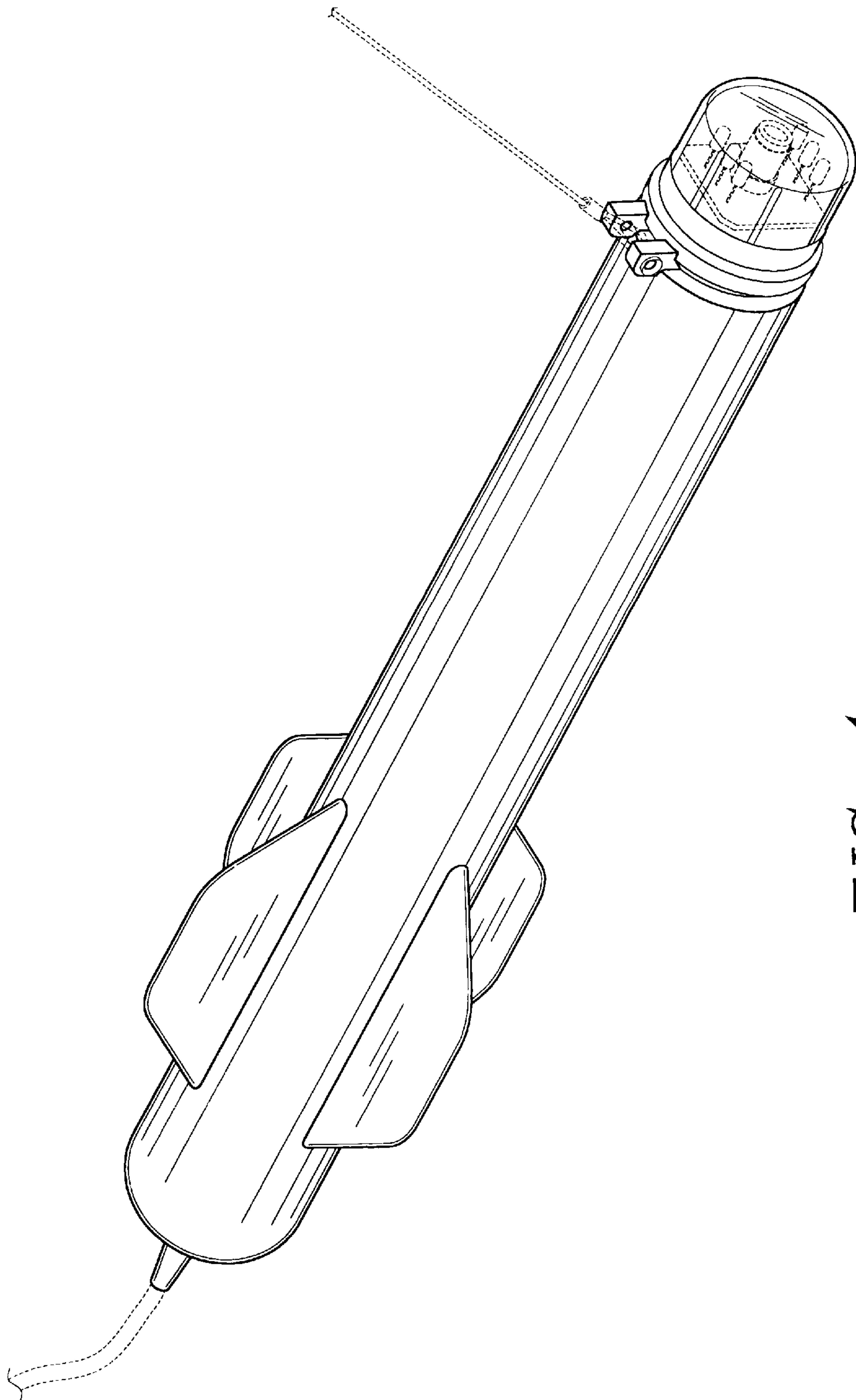


FIG. 1

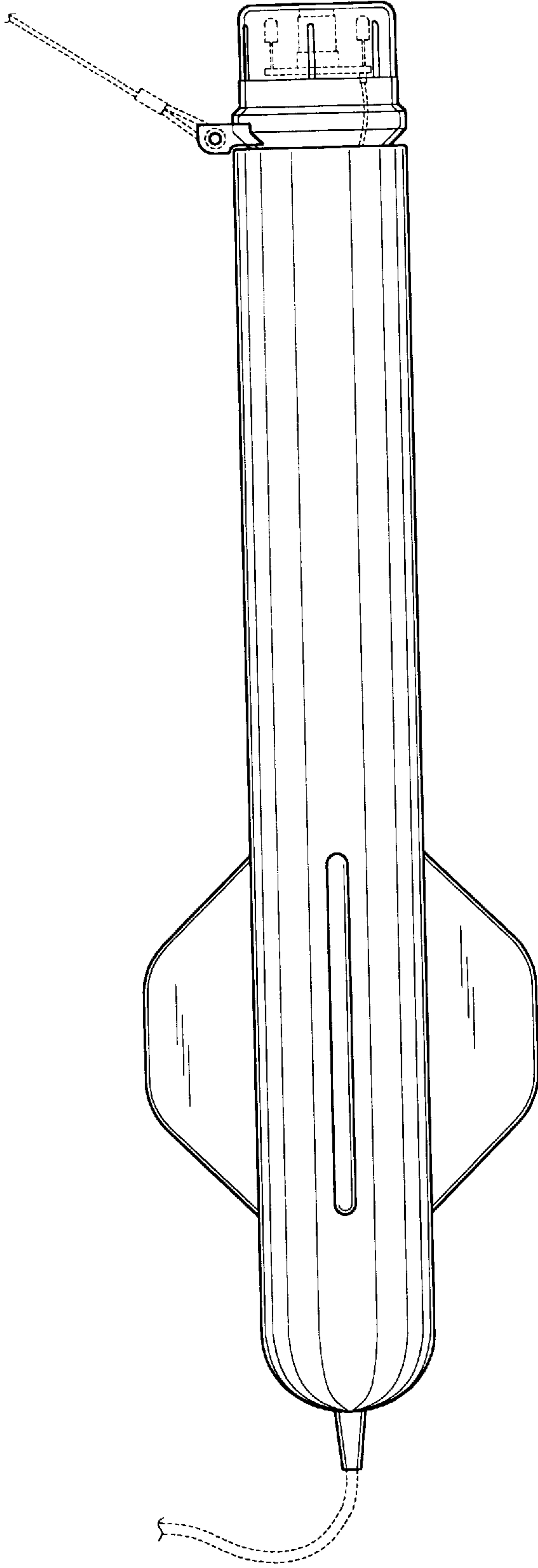


FIG. 2

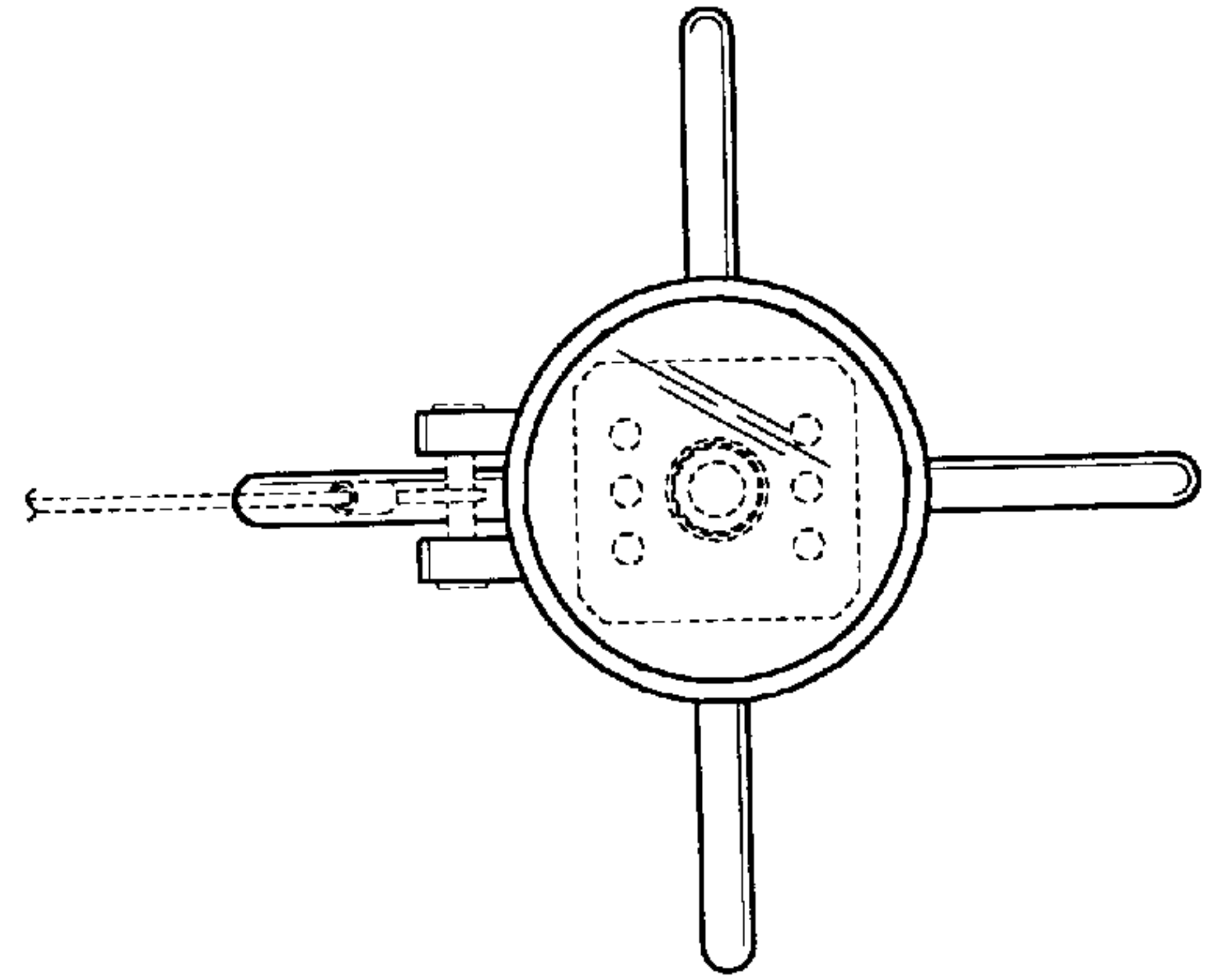


FIG. 3

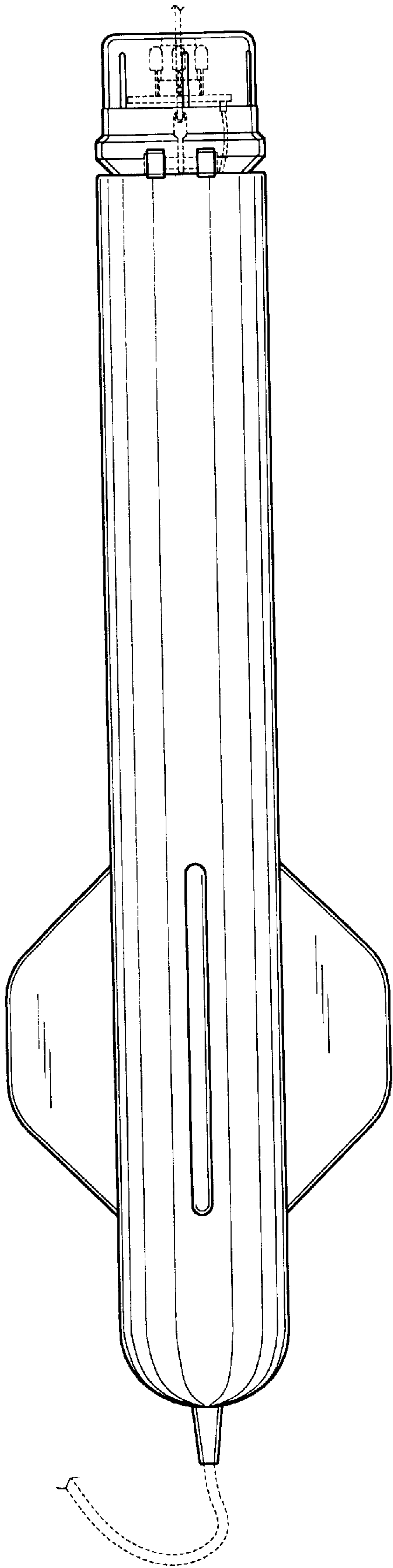


FIG. 4

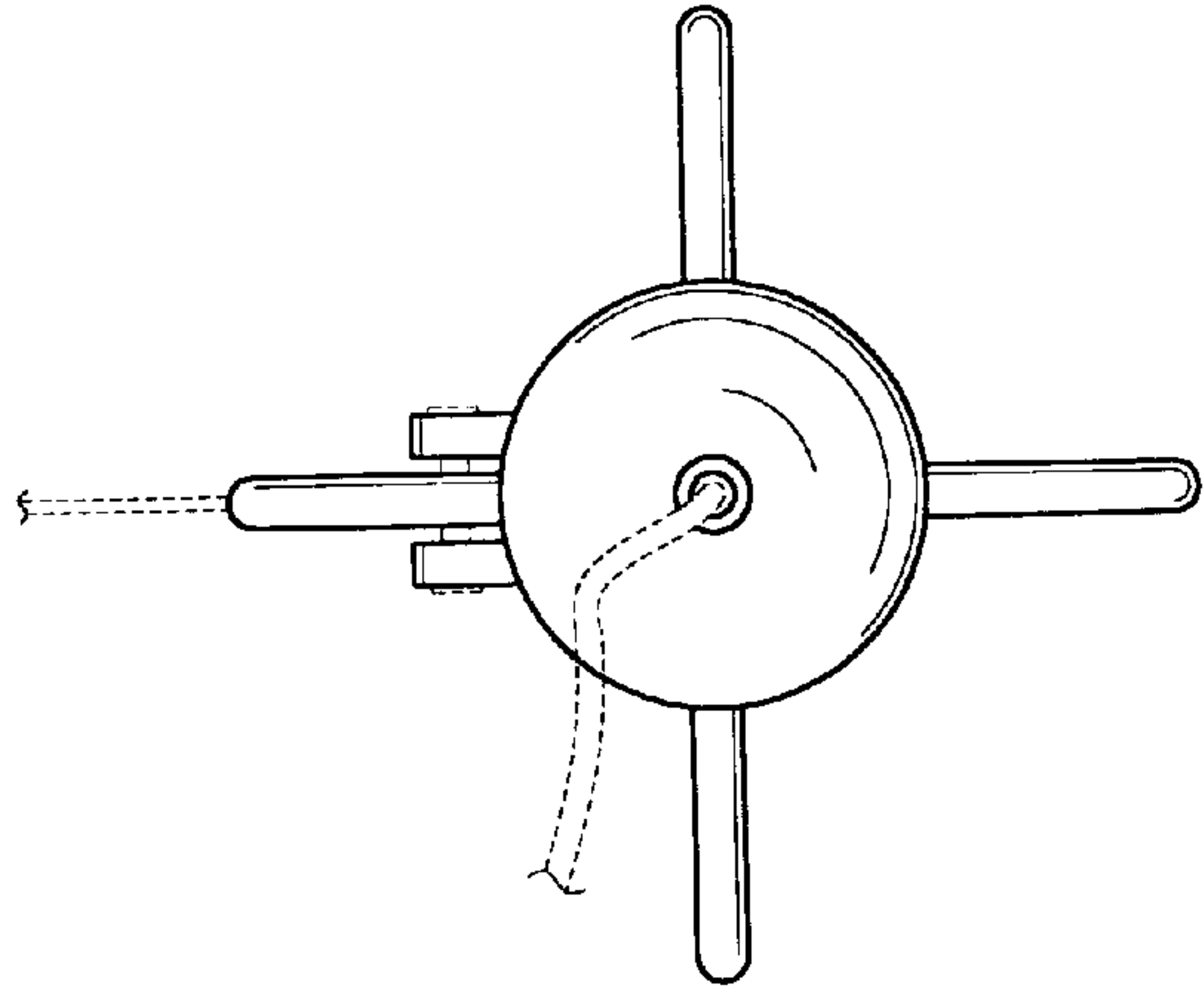


FIG. 5