



US00D411212S

United States Patent [19]
Jones

[11] **Patent Number: Des. 411,212**
[45] **Date of Patent: ** Jun. 22, 1999**

[54] **SOAP MOLDING DISH**

[76] **Inventor: Derrick D. Jones**, 340-B Washington Rd., West Point, N.Y. 10996

[**] **Term: 14 Years**

[21] **Appl. No.: 29/087,042**

[22] **Filed: Apr. 24, 1998**

[51] **LOC (6) Cl. 15-04**

[52] **U.S. Cl. D15/135**

[58] **Field of Search D15/135-137;**
249/136; 425/436 R

[56] **References Cited**

U.S. PATENT DOCUMENTS

5,269,997 12/1993 Leslie 425/436 R

Primary Examiner—Antoine Duval Davis
Attorney, Agent, or Firm—David L. Volk

[57] **CLAIM**

The ornamental design for a soap molding dish, as shown and described.

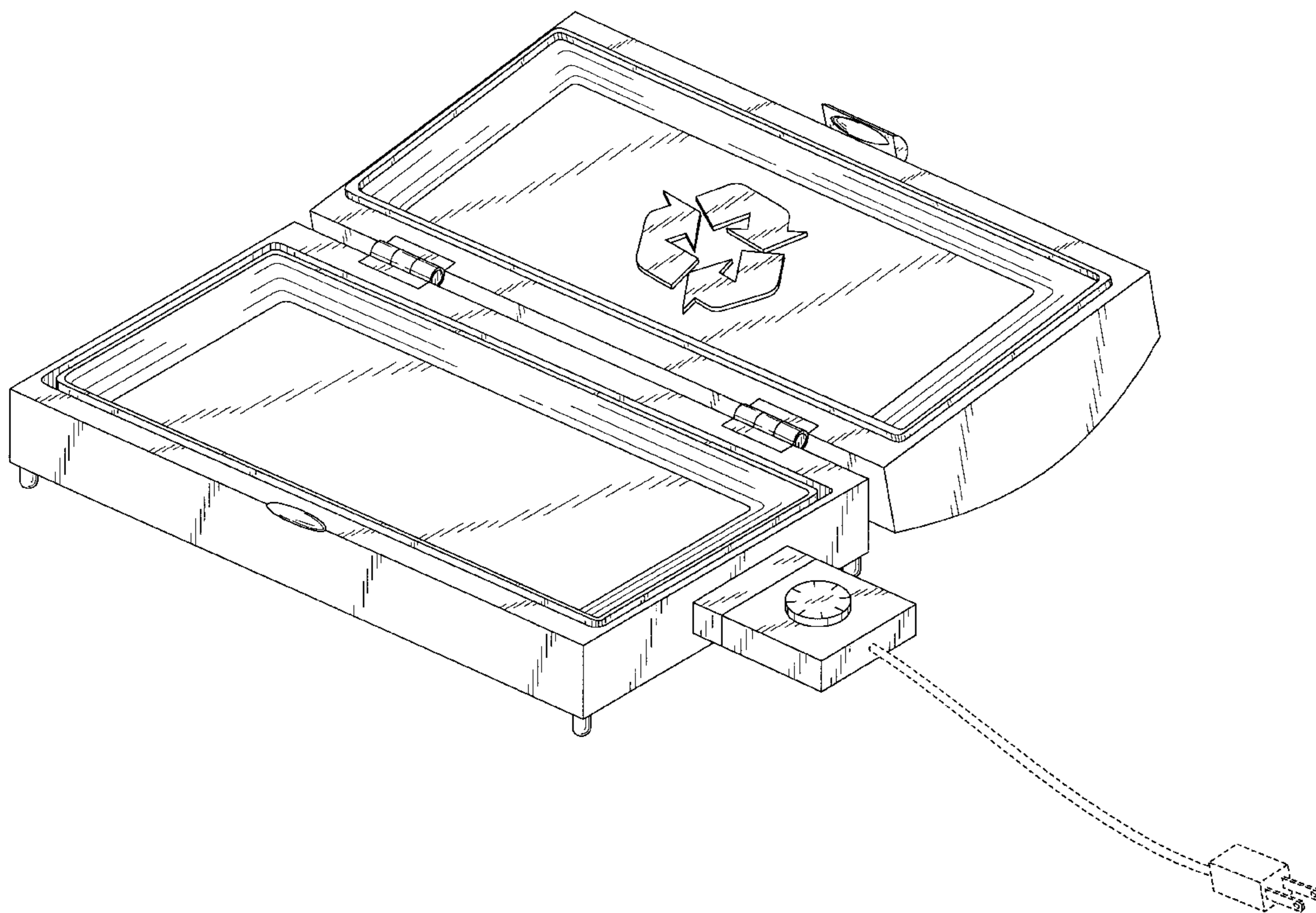
DESCRIPTION

FIG. 1 is a perspective view of a soap molding dish showing my new design;
FIG. 2 is a right side elevational view thereof;
FIG. 3 is a left side elevational view thereof;
FIG. 4 is a front elevational view thereof;
FIG. 5 is a rear elevational view thereof;
FIG. 6 is a top plan view thereof;
FIG. 7 is a bottom plan view thereof; and,
FIG. 8 is a perspective view thereof, shown with the lid closed.

The broken line illustration in FIG. 1 forms no part of the claimed invention.

Undisclosed surfaces are plain and unornamented.

1 Claim, 6 Drawing Sheets



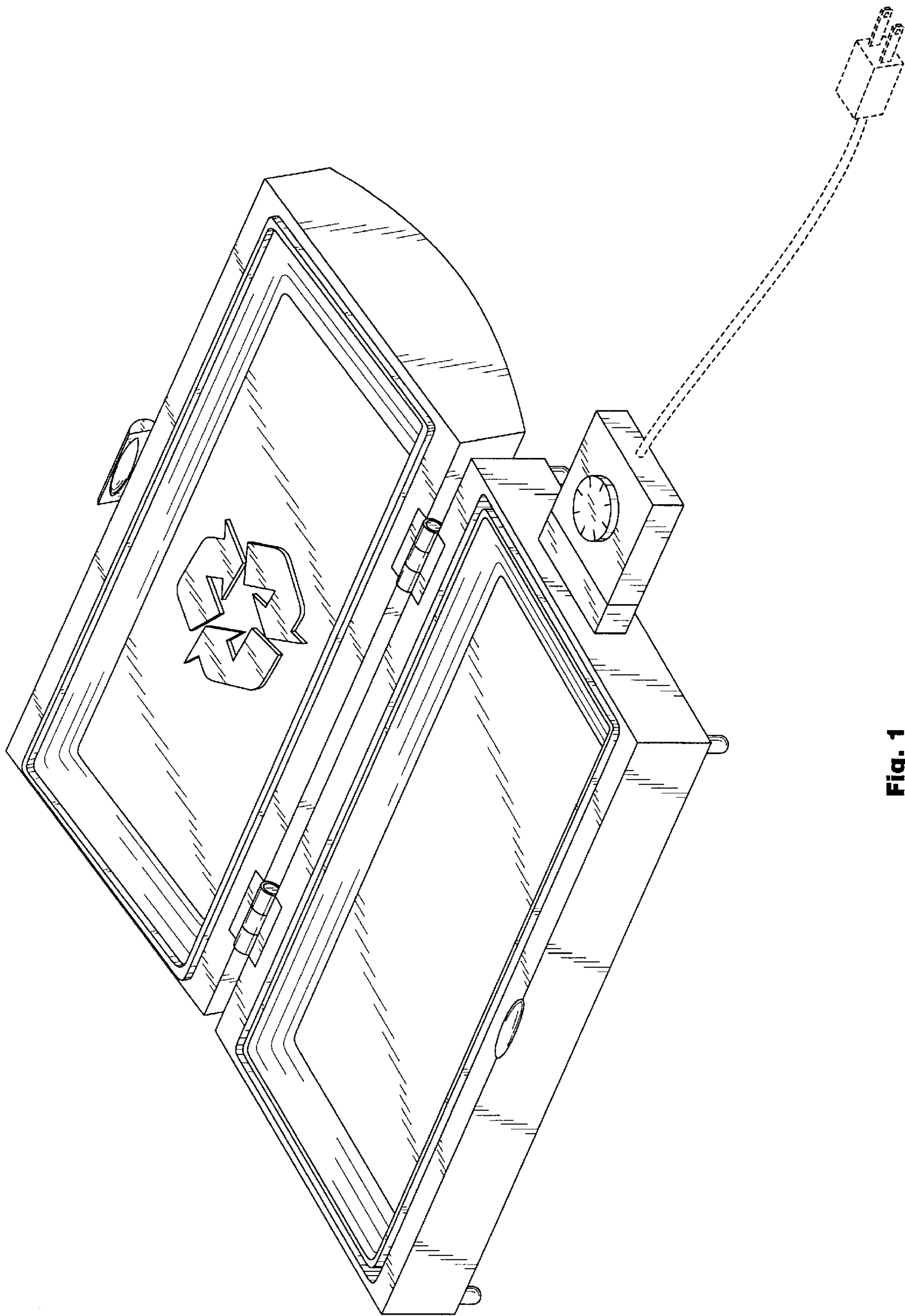


Fig. 1

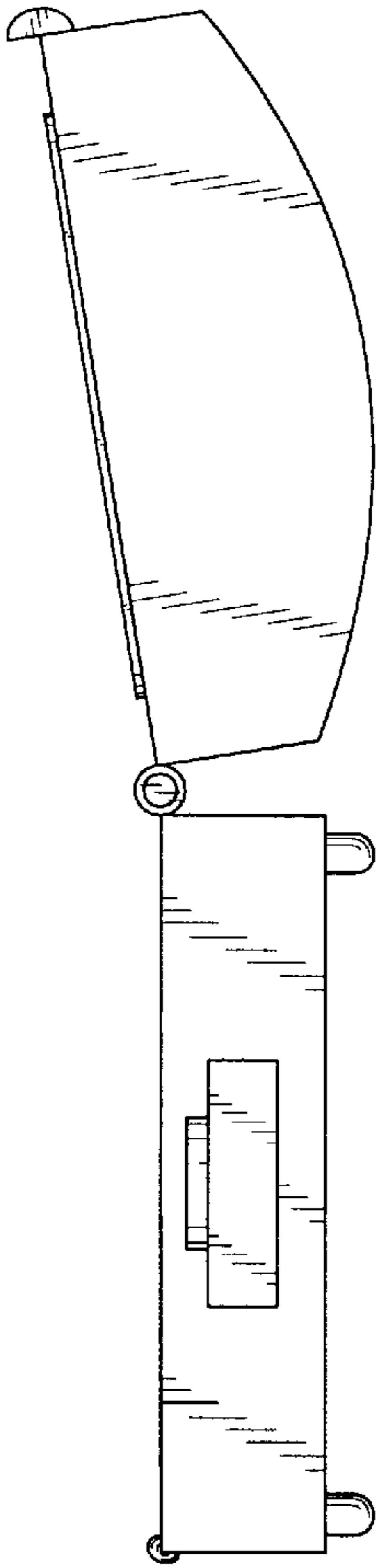


Fig. 2

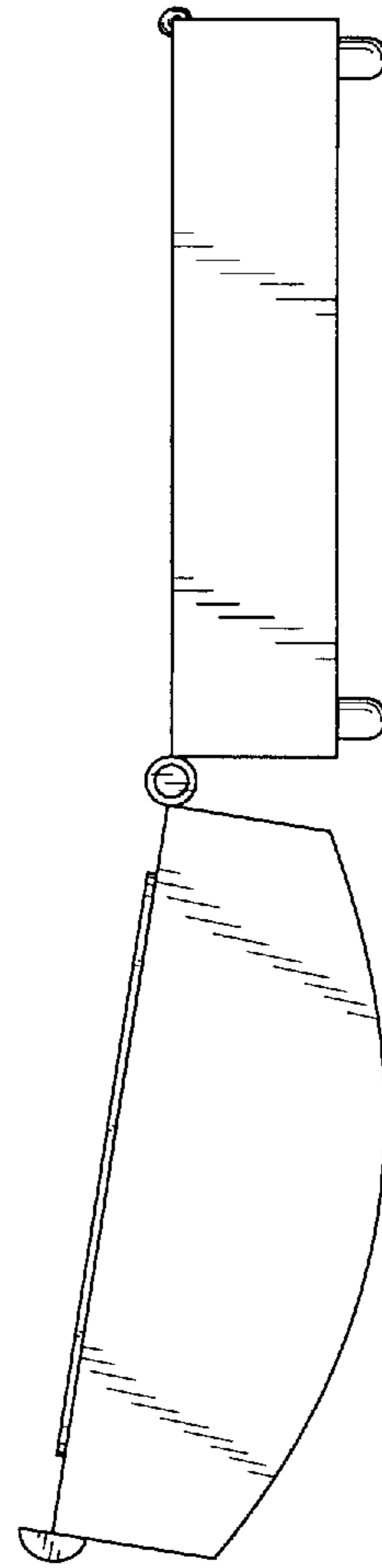


Fig. 3

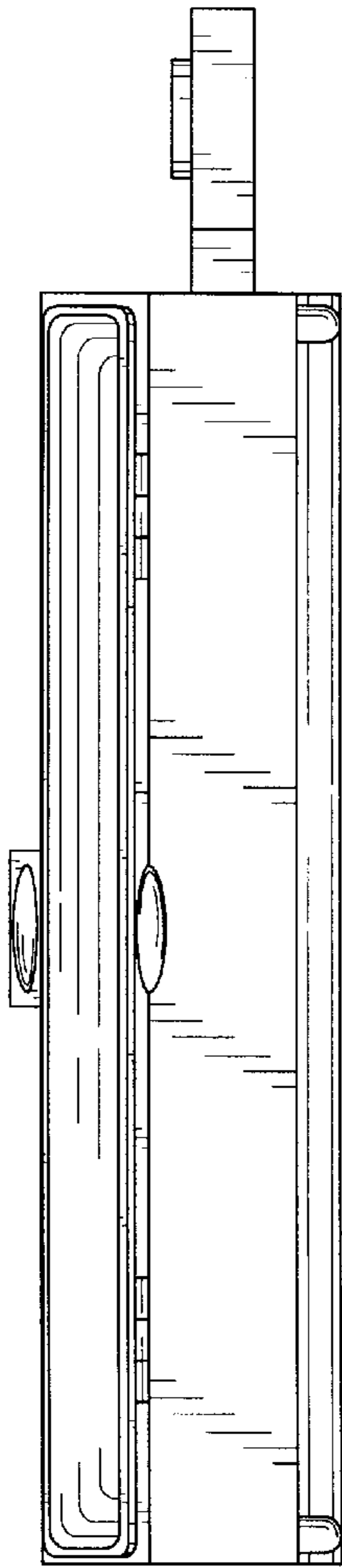


Fig. 4

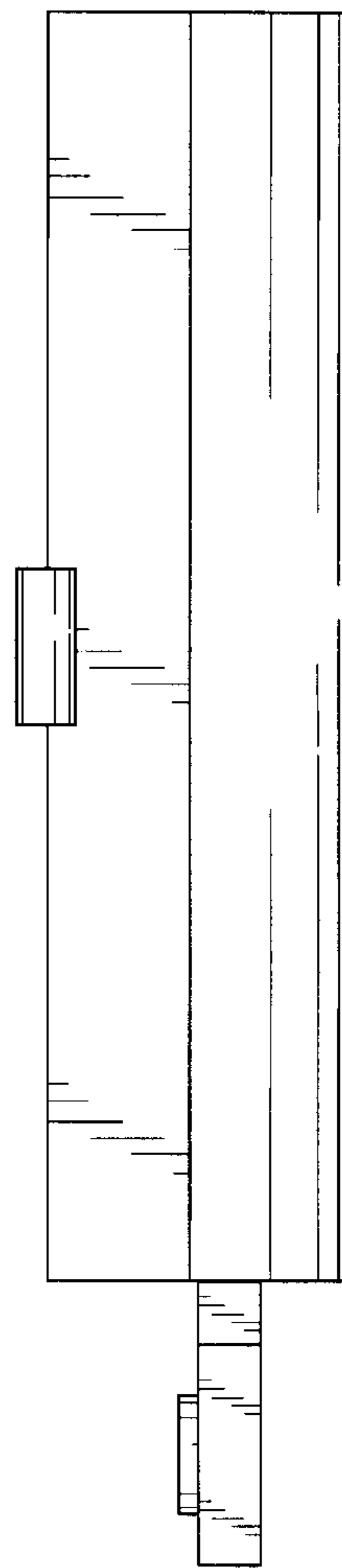


Fig. 5

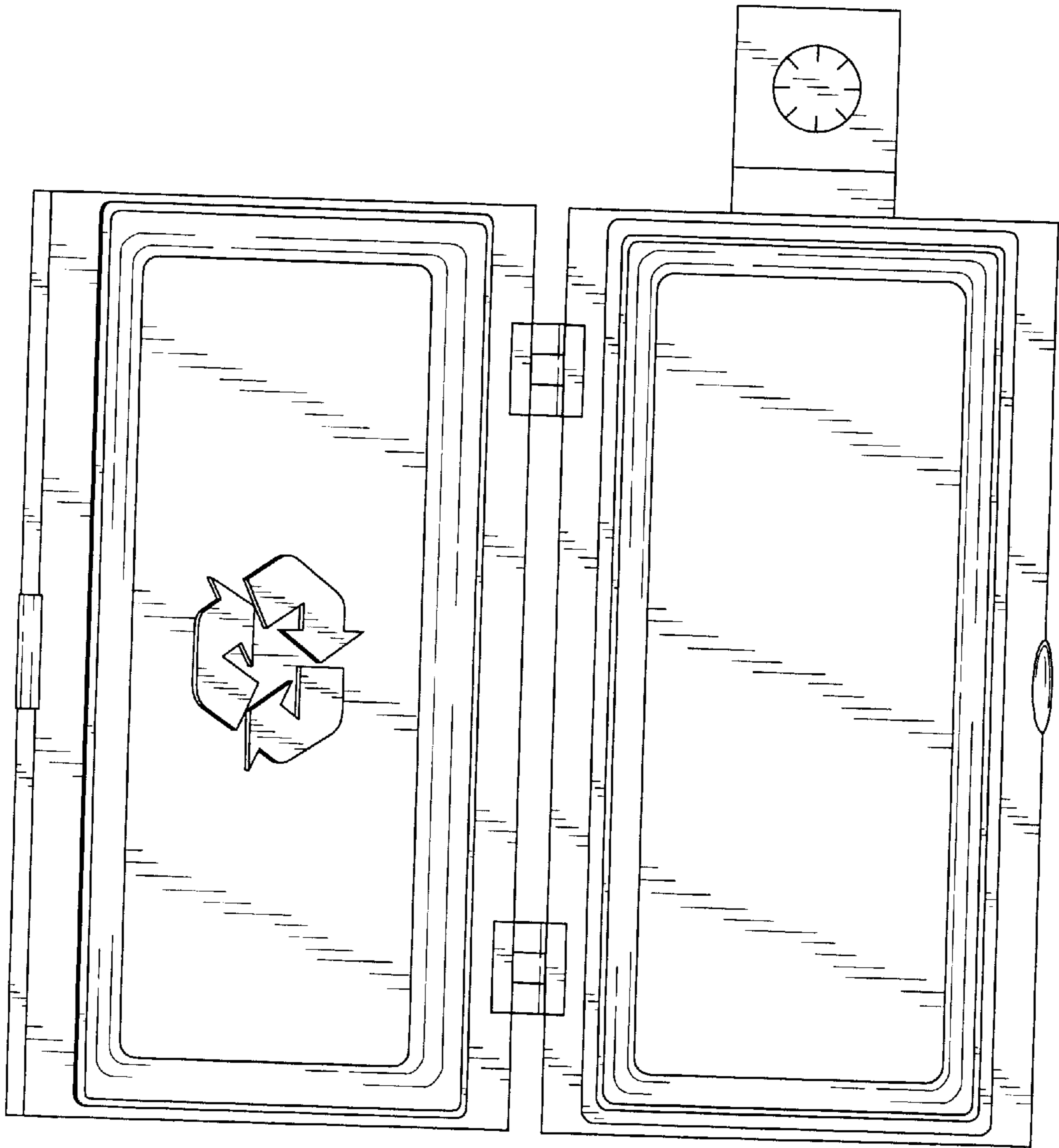


Fig. 6

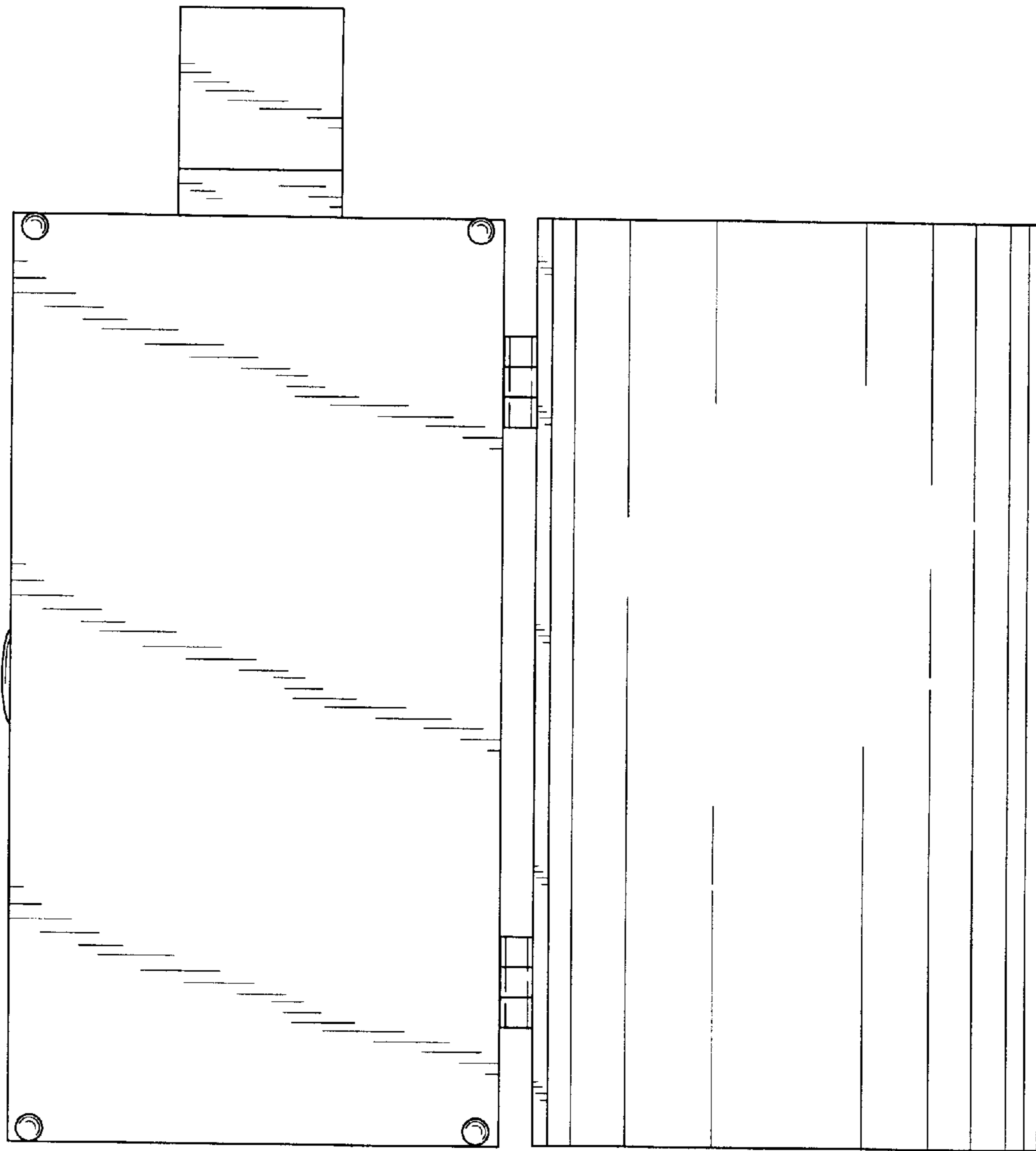


Fig. 7

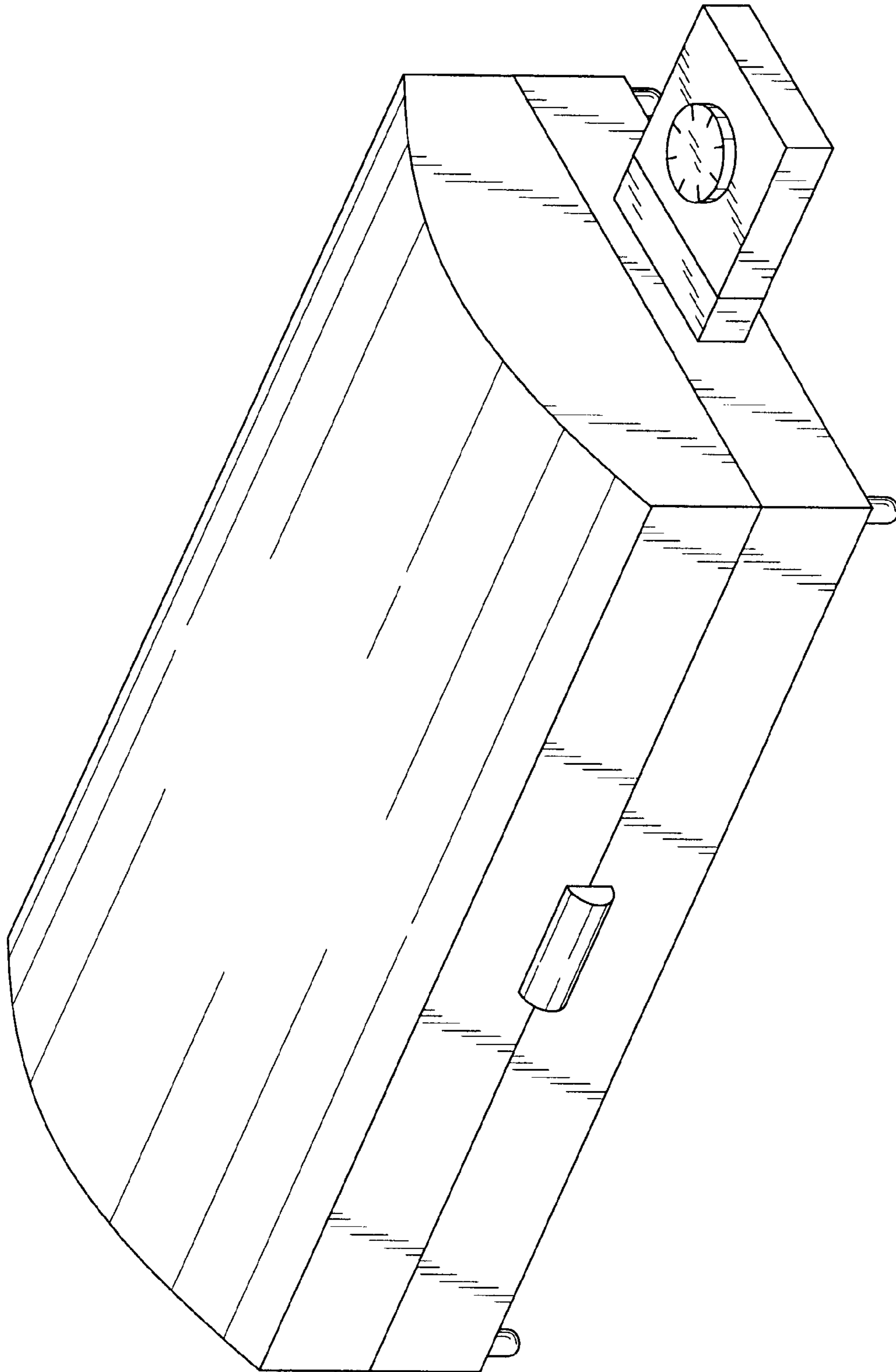


Fig. 8