



US00D411211S

United States Patent [19]
Higuchi et al.

[11] **Patent Number: Des. 411,211**

[45] **Date of Patent: ** Jun. 22, 1999**

[54] **REFRIGERATOR**

[75] Inventors: **Naoto Higuchi; Aya Sawai; Wataru Yamada; Hideyuki Takasago; Masataka Nagahori**, all of Kanagawa, Japan

[73] Assignee: **Mitsubishi Denki Kabushiki Kaisha**, Tokyo, Japan

[**] Term: **14 Years**

[21] Appl. No.: **29/087,379**

[22] Filed: **May 1, 1998**

[30] **Foreign Application Priority Data**

Dec. 25, 1997 [JP] Japan 9-79803

[51] **LOC (6) Cl.** **15-07**

[52] **U.S. Cl.** **D15/80**

[58] **Field of Search** D15/79, 81, 85-88; 62/125-127; 312/139.2, 236

[56] **References Cited**

U.S. PATENT DOCUMENTS

- D. 236,654 9/1975 Meyer D15/86
- D. 244,684 6/1977 Bartlett et al. D15/81
- 3,070,852 1/1963 Hilliker D15/85

FOREIGN PATENT DOCUMENTS

- 852946 11/1992 Japan .
- 883102 11/1993 Japan .

OTHER PUBLICATIONS

Domus, No. 683, May 1987, no page number. Iberna refrigerator.
Catalogue of Refrigerators, Jul. 19, 1994, 2 pages.

Primary Examiner—Sandra L. Morris

Attorney, Agent, or Firm—Oblon, Spivak, McClelland, Maier & Neustadt, P.C.

[57] **CLAIM**

The ornamental design for a refrigerator, as shown and described.

DESCRIPTION

FIG. 1 is a front, top and left side perspective view of a refrigerator, showing our new design;
 FIG. 2 is a front elevational view thereof;
 FIG. 3 is a rear elevational view thereof;
 FIG. 4 is a left side elevational view thereof;
 FIG. 5 is a right side elevational view thereof;
 FIG. 6 is a top plan view thereof;
 FIG. 7 is a bottom plan view thereof;
 FIG. 8 is an expanded cross-sectional view thereof, taken along line 8—8 in FIG. 2, with the internal system omitted;
 FIG. 9 is an expanded cross-sectional view thereof, taken along line 9—9 in FIG. 2, with the internal system omitted;
 FIG. 10 is an expanded cross-sectional view thereof, taken along line 10—10 in FIG. 2, with the internal system omitted;
 FIG. 11 is an expanded cross-sectional view thereof, taken along line 11—11 in FIG. 2, with the internal system omitted;
 FIG. 12 is an expanded view of portion 12 in FIG. 8;
 FIG. 13 is an expanded view of portion 13 in FIG. 8;
 FIG. 14 is an expanded view of portion 14 in FIG. 11;
 FIG. 15 is a front elevational view thereof, with the top door shown opened; and,
 FIG. 16 is a front, top and left side perspective view thereof, with the lower doors pulled out.

The features shown in phantom line in FIG. 8 are for illustrative purposes only and form no part of the claimed design.

1 Claim, 11 Drawing Sheets

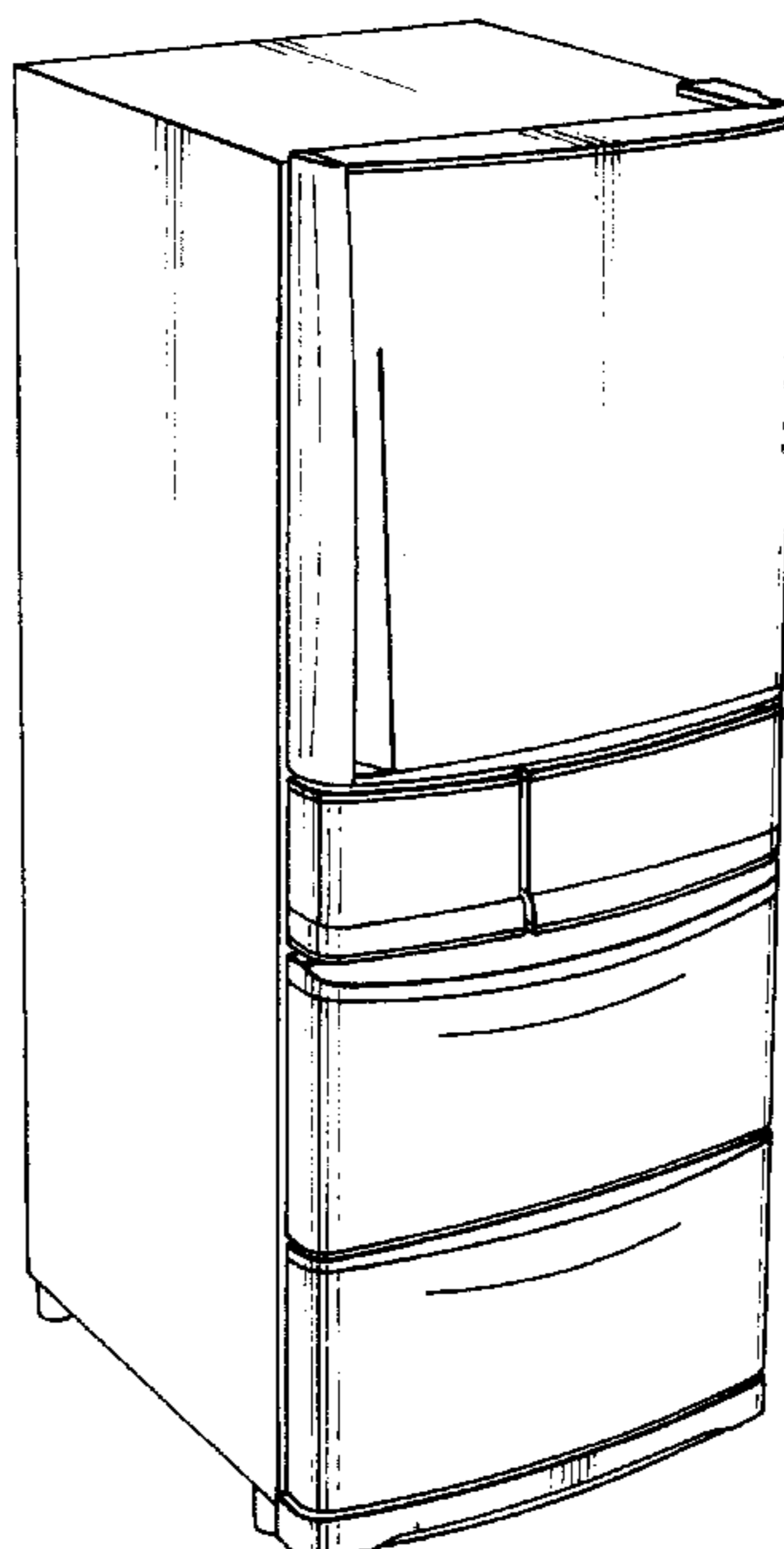


FIG. 1

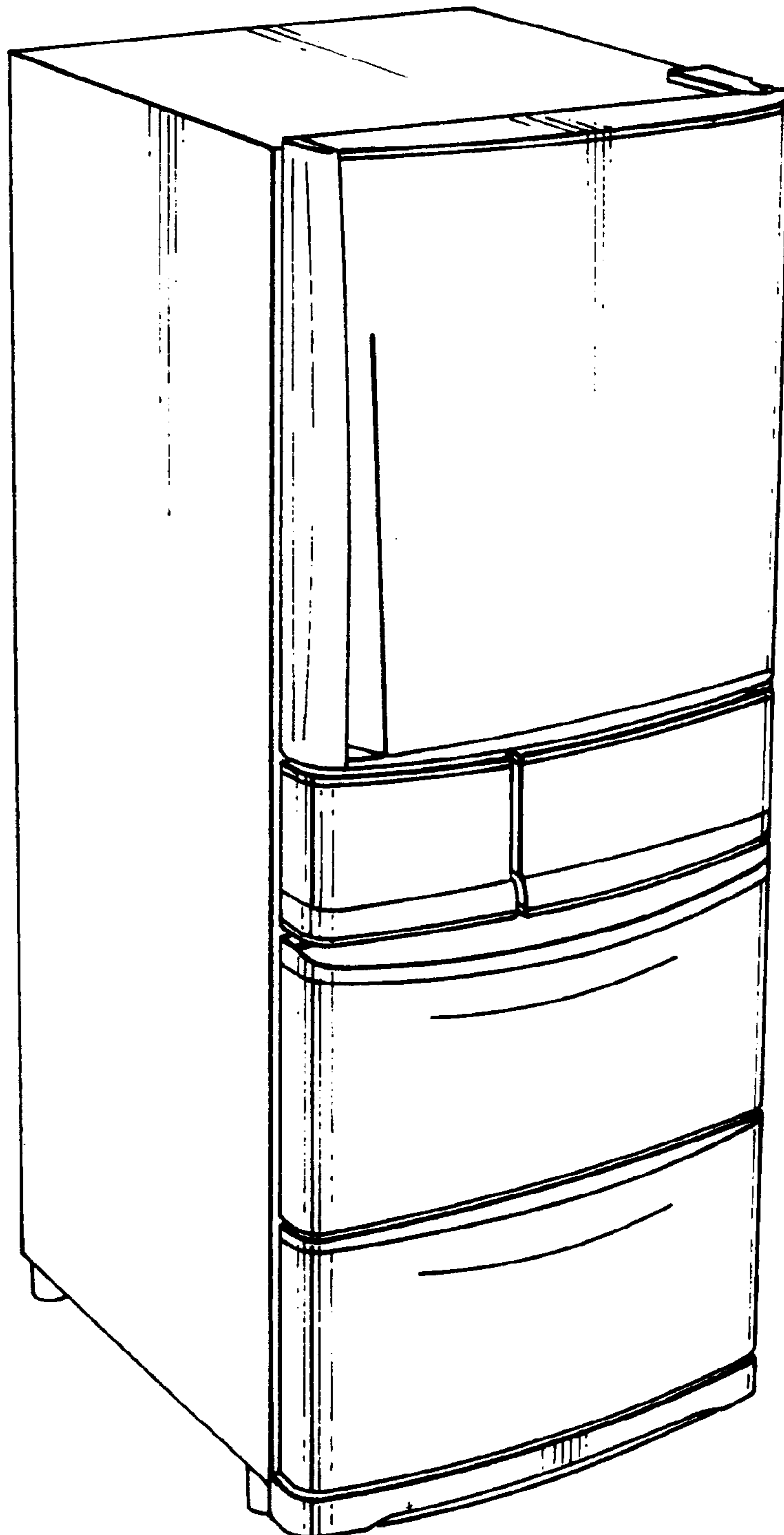


FIG. 2

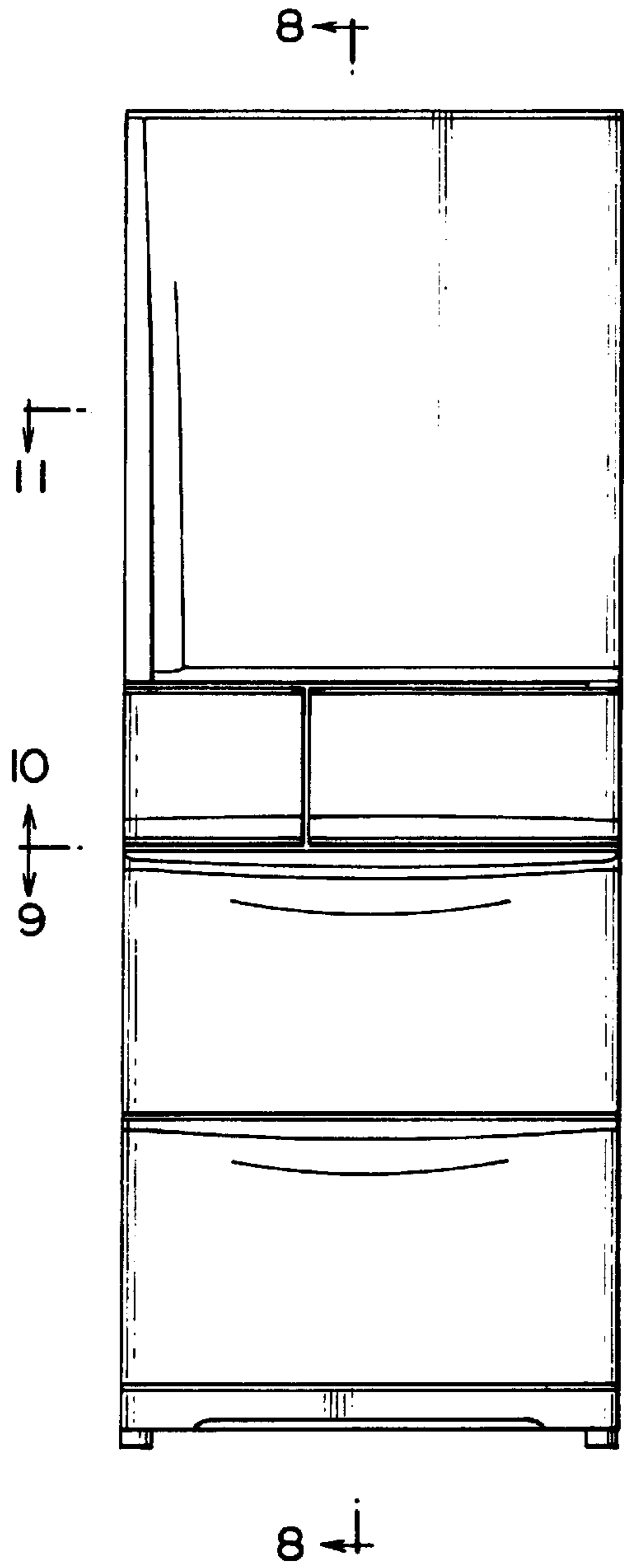


FIG. 3

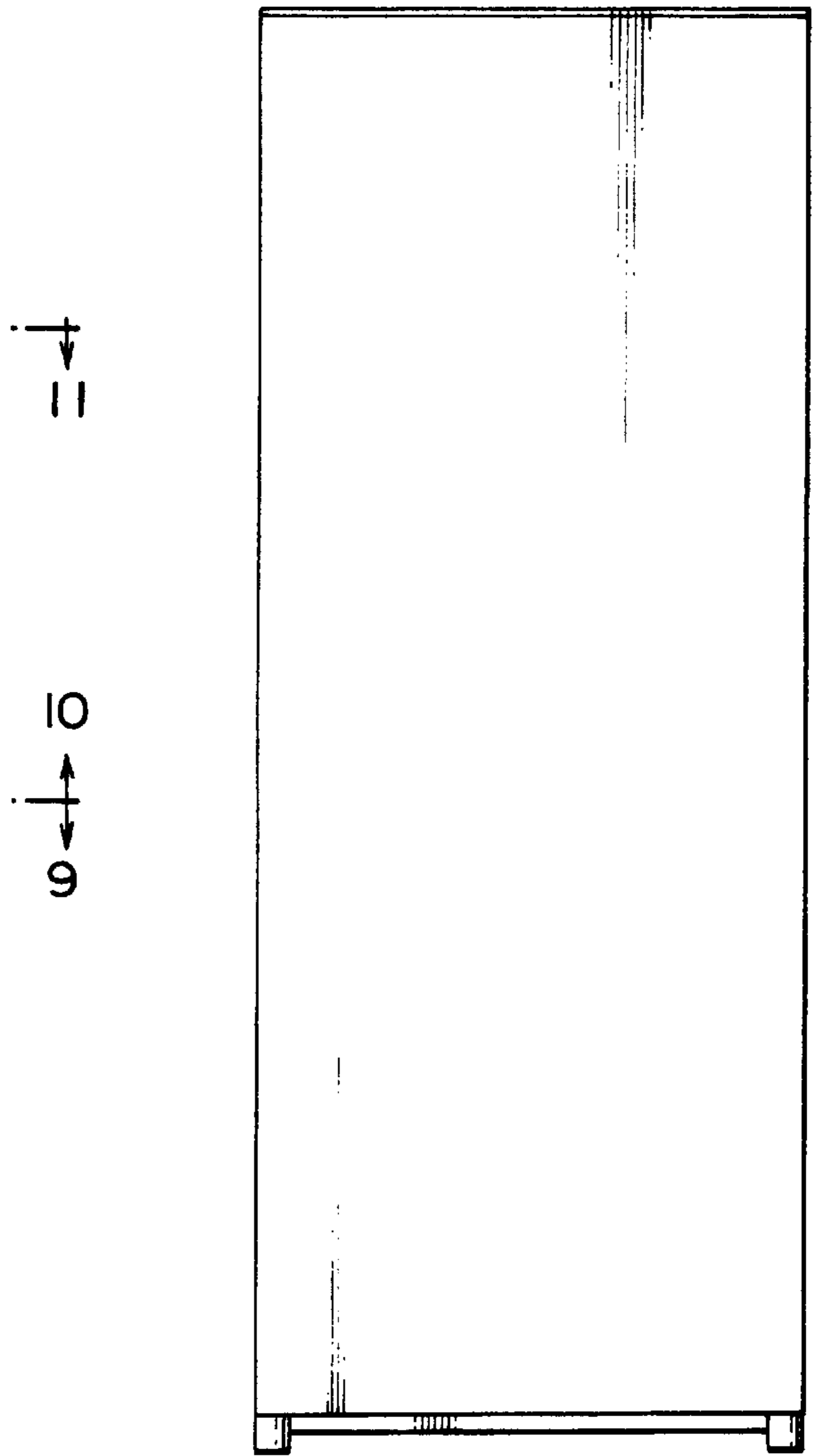


FIG. 4

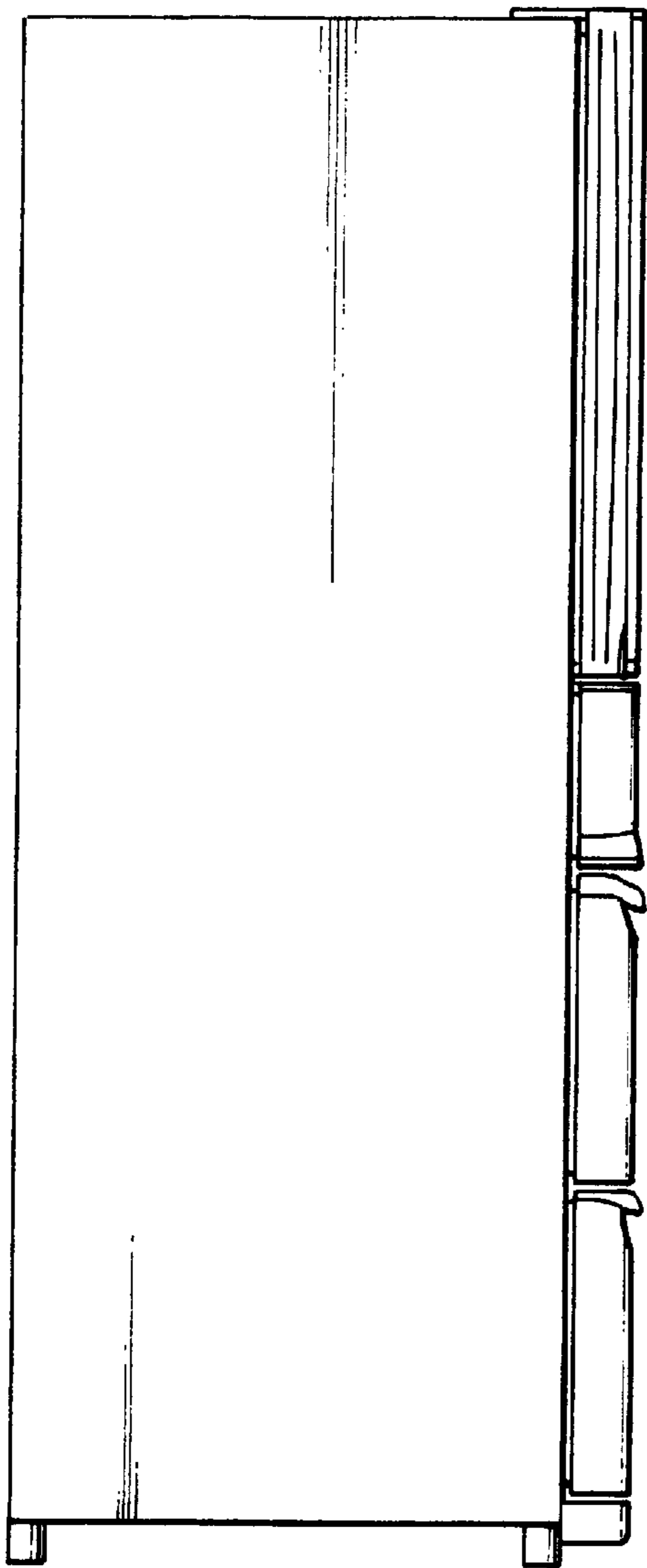


FIG. 5

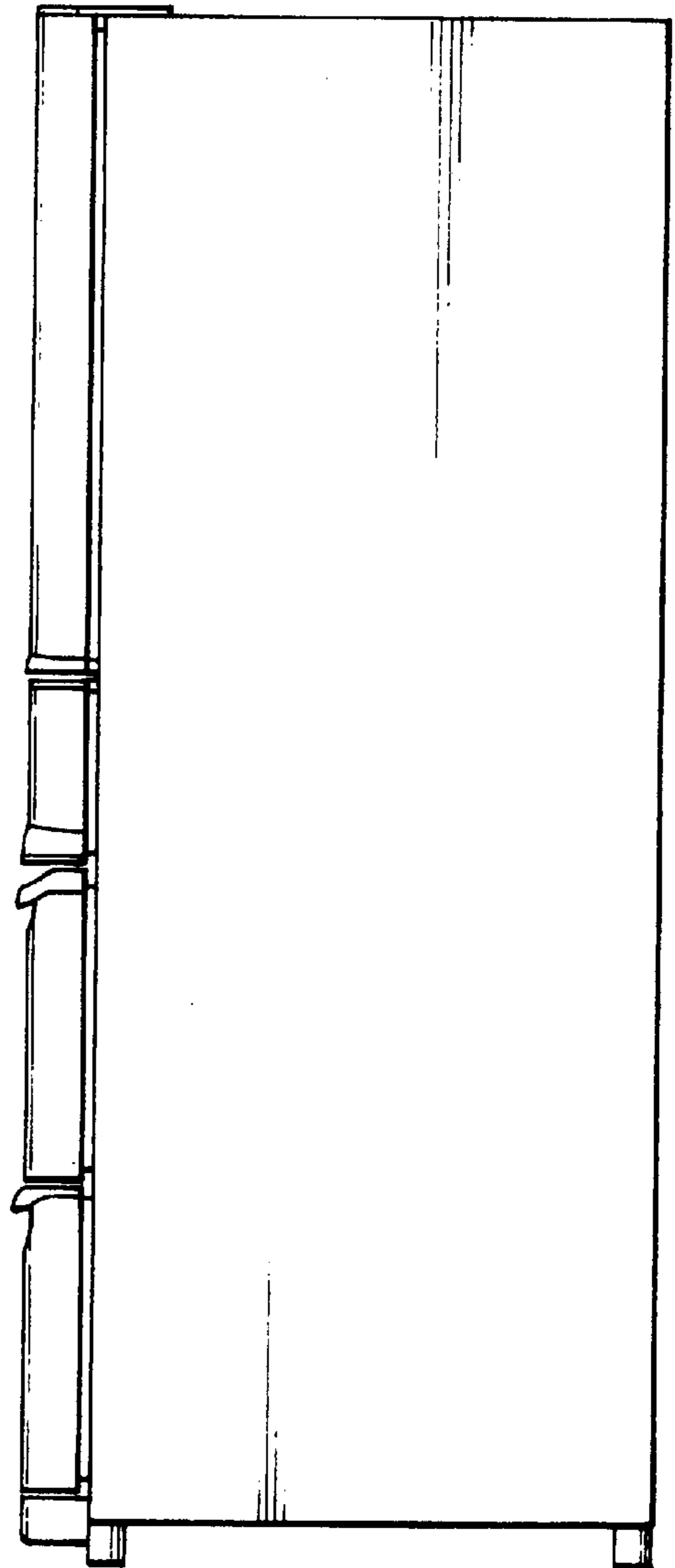


FIG. 6

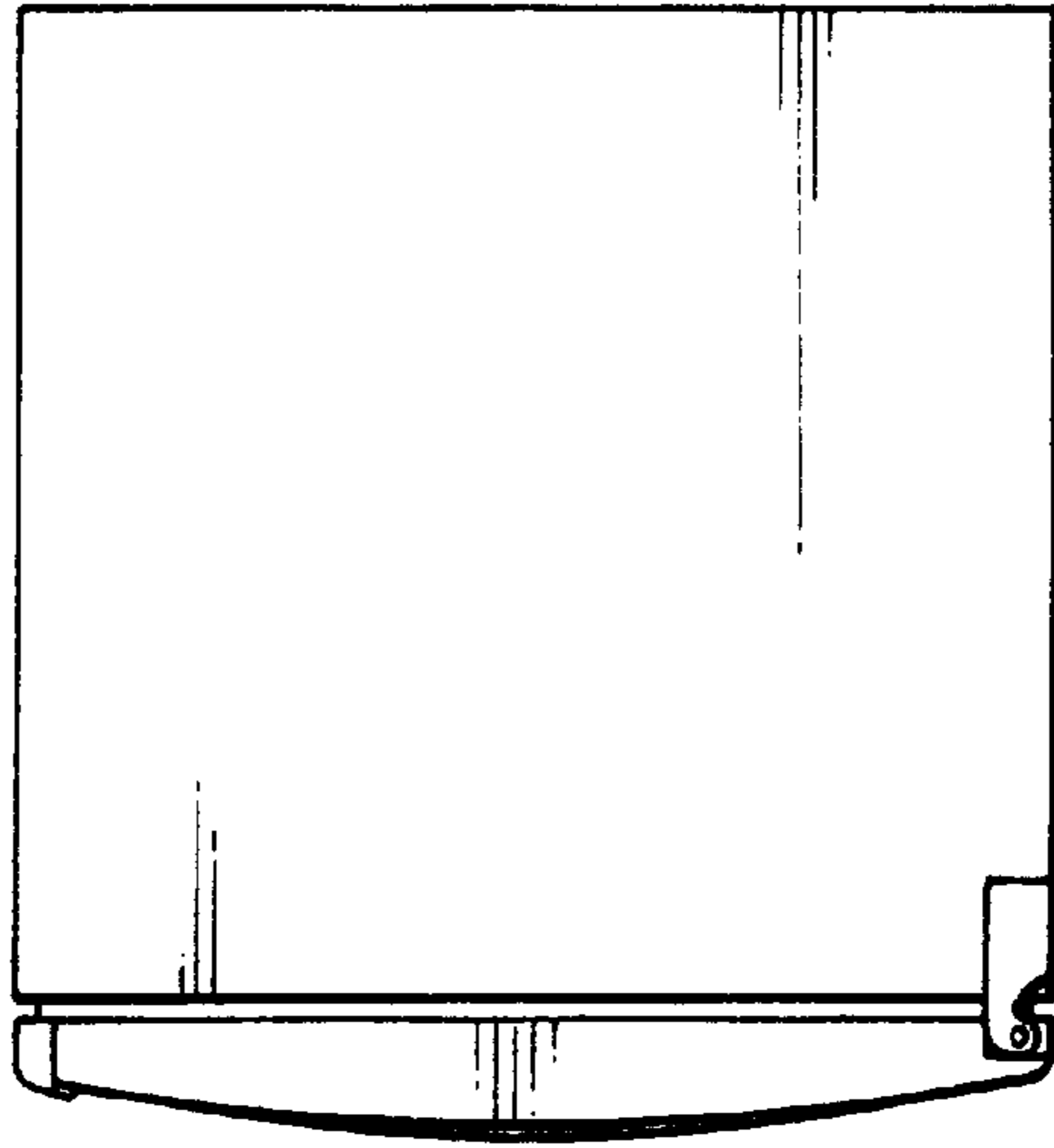
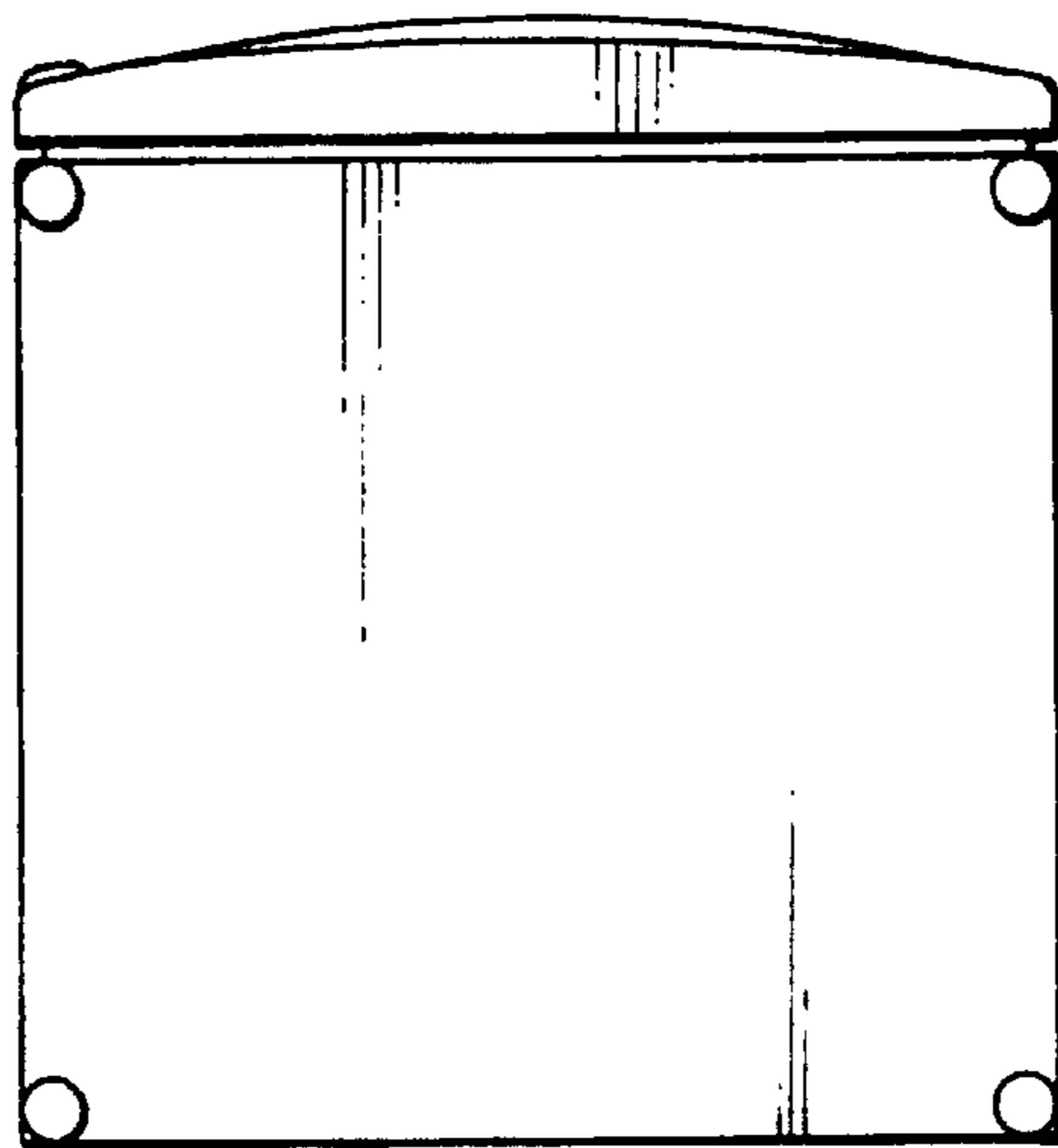


FIG. 7



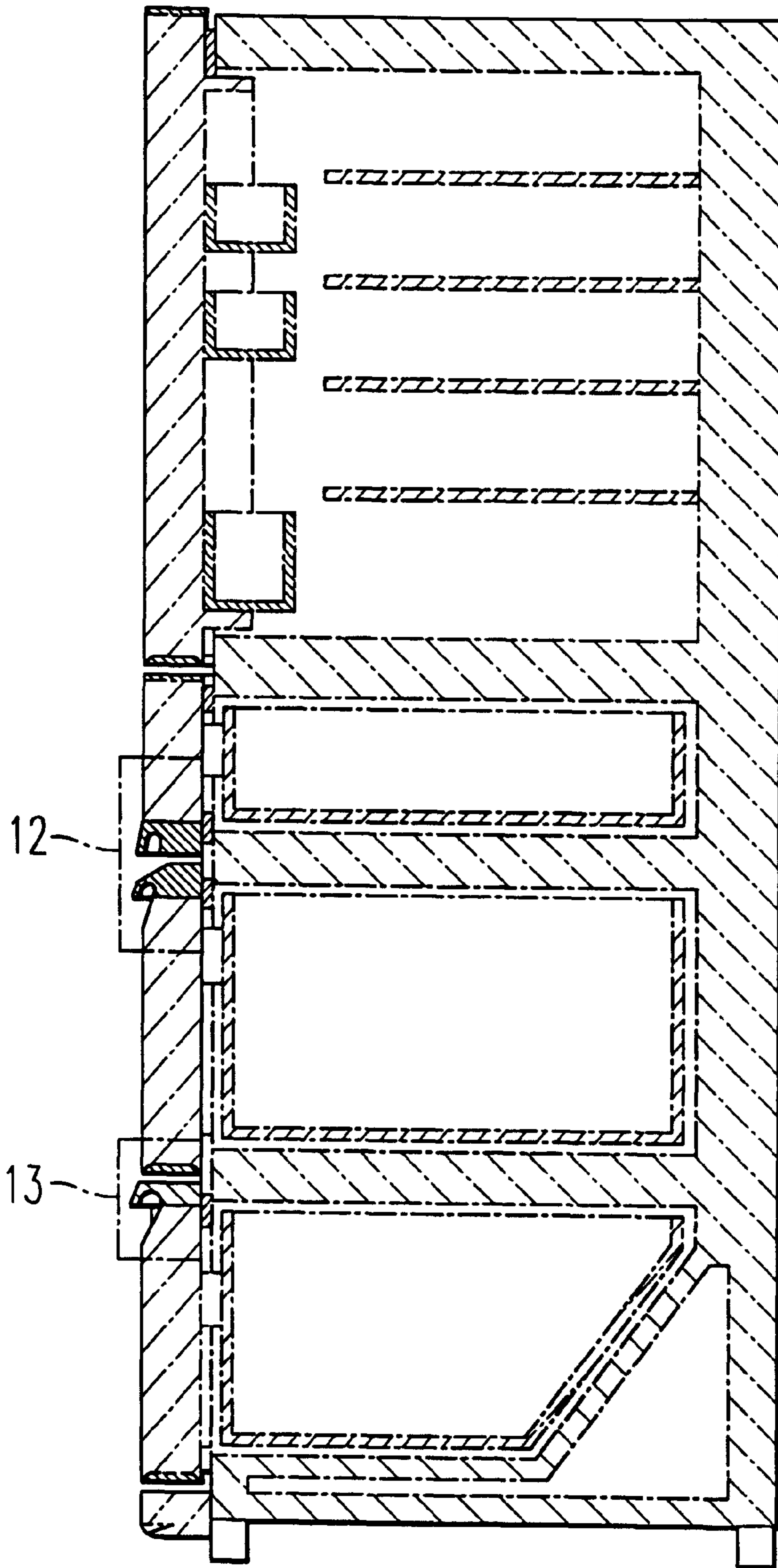


FIG. 8

FIG. 9

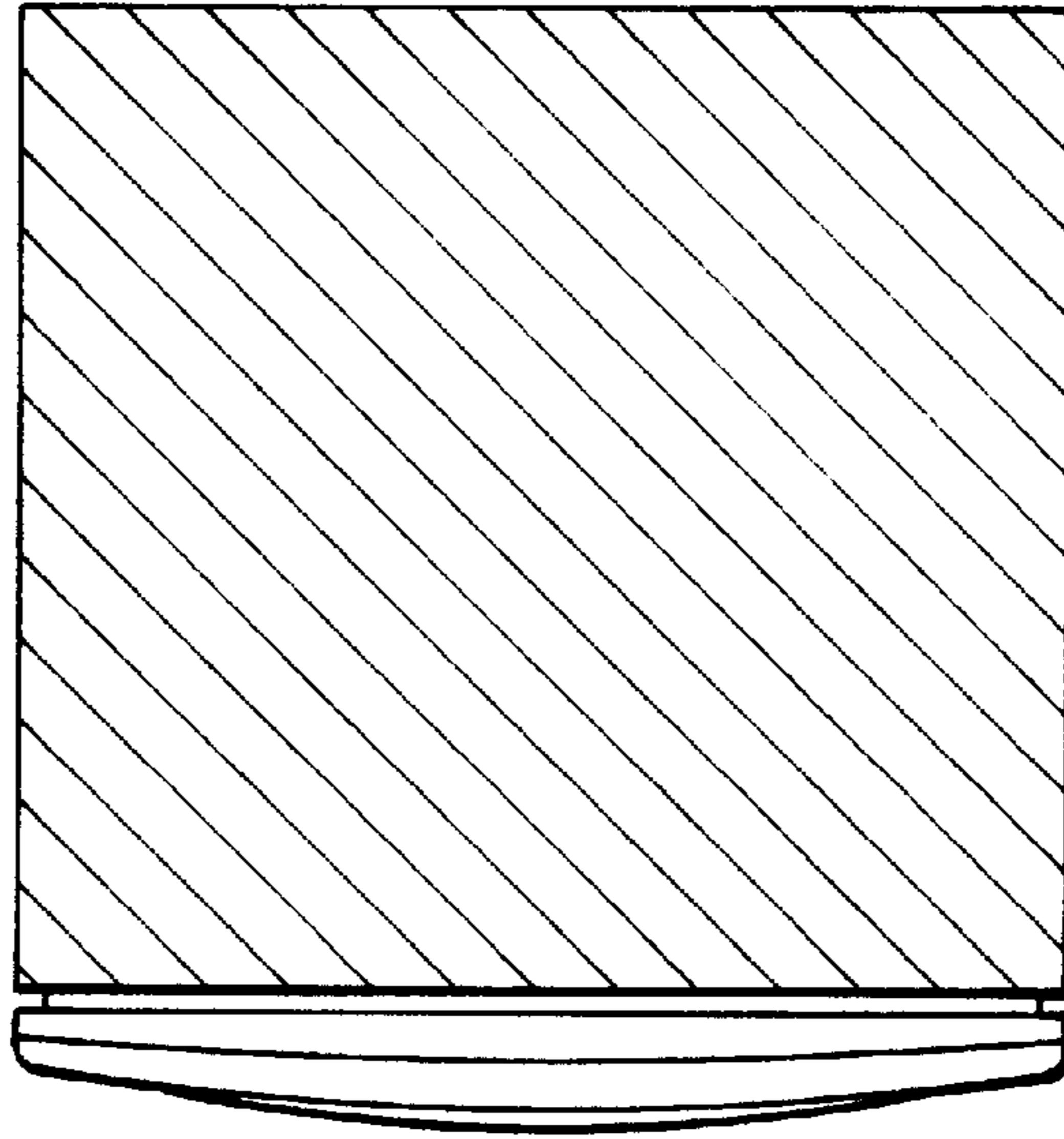


FIG. 10

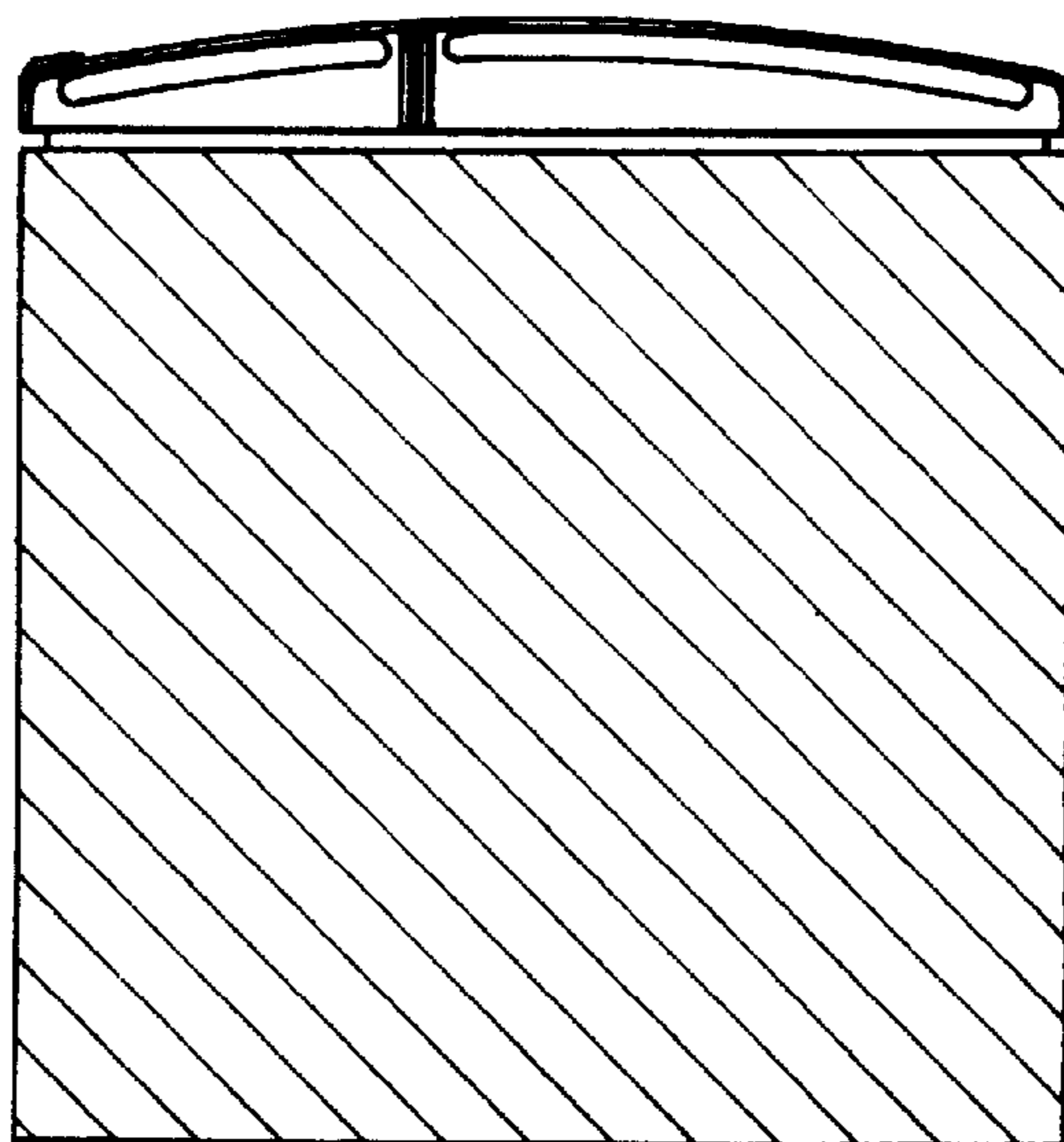


FIG. 11

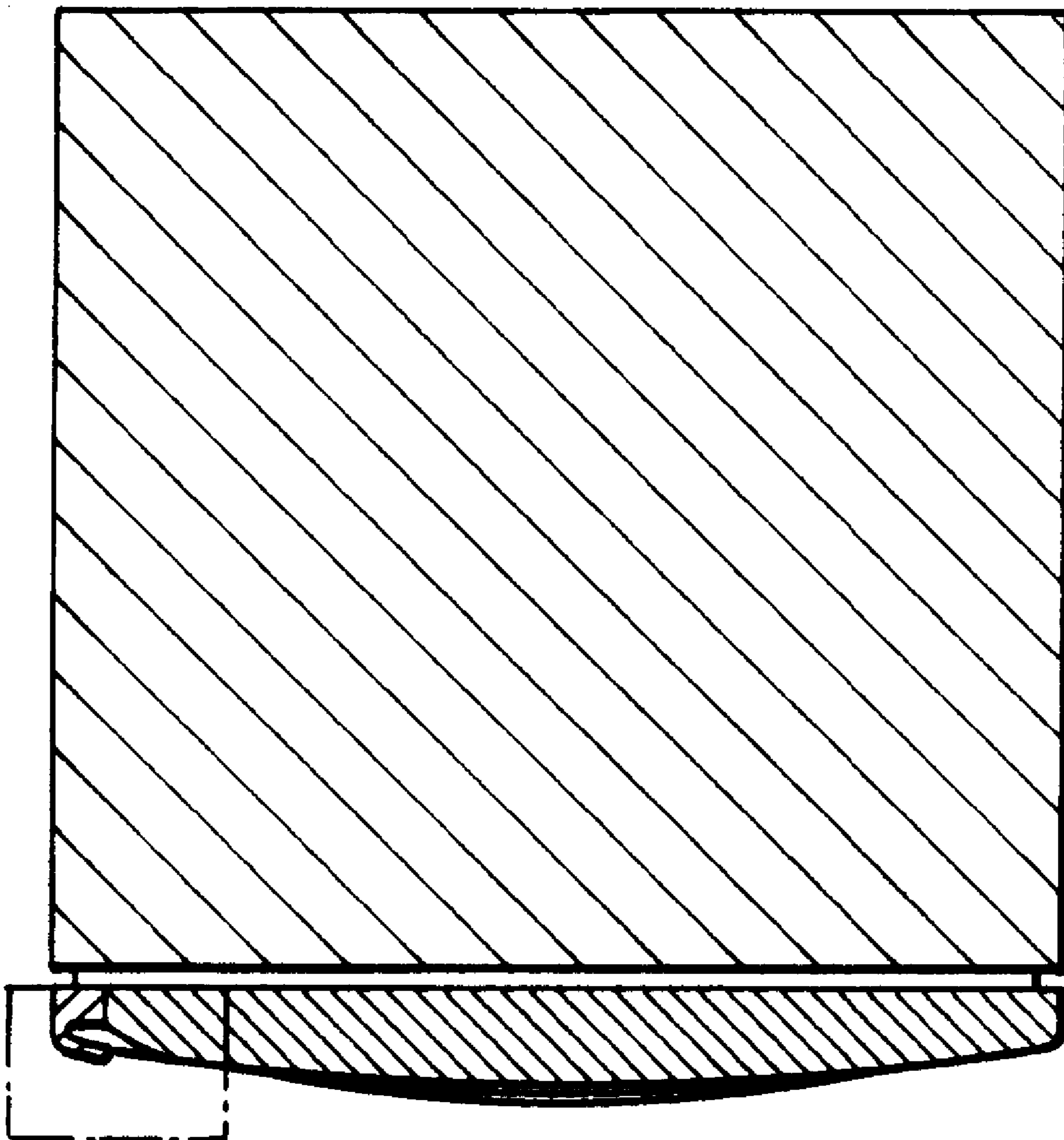


FIG. 12

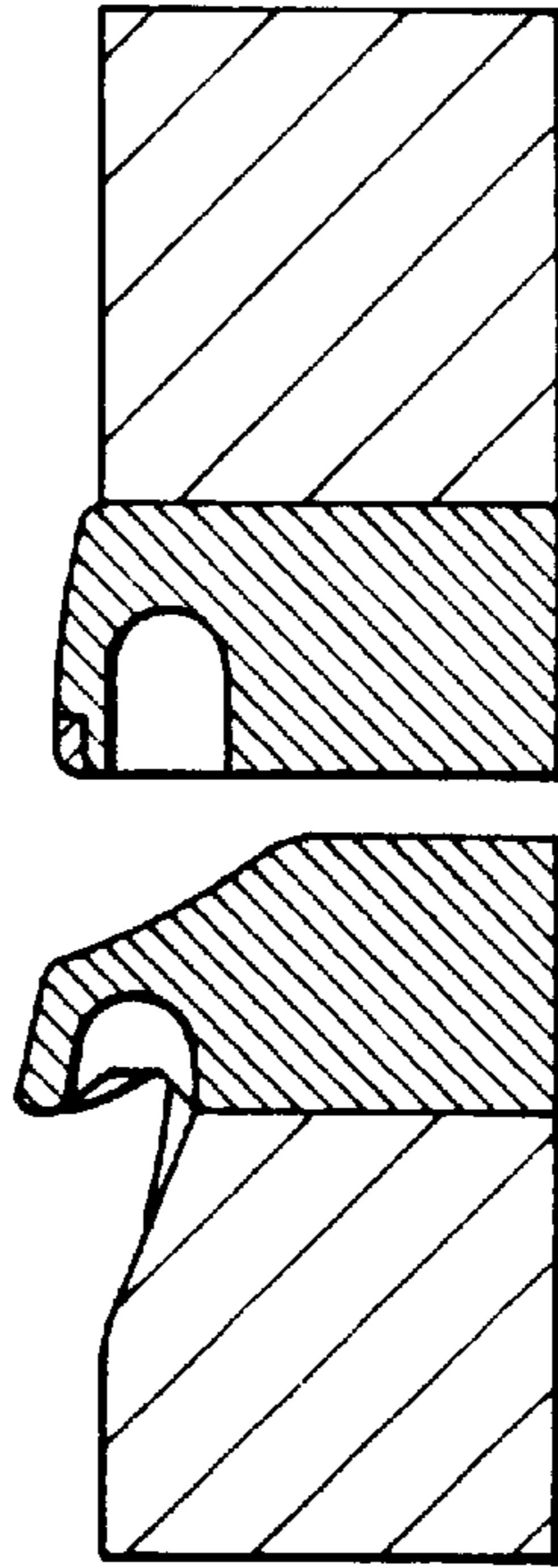


FIG. 13

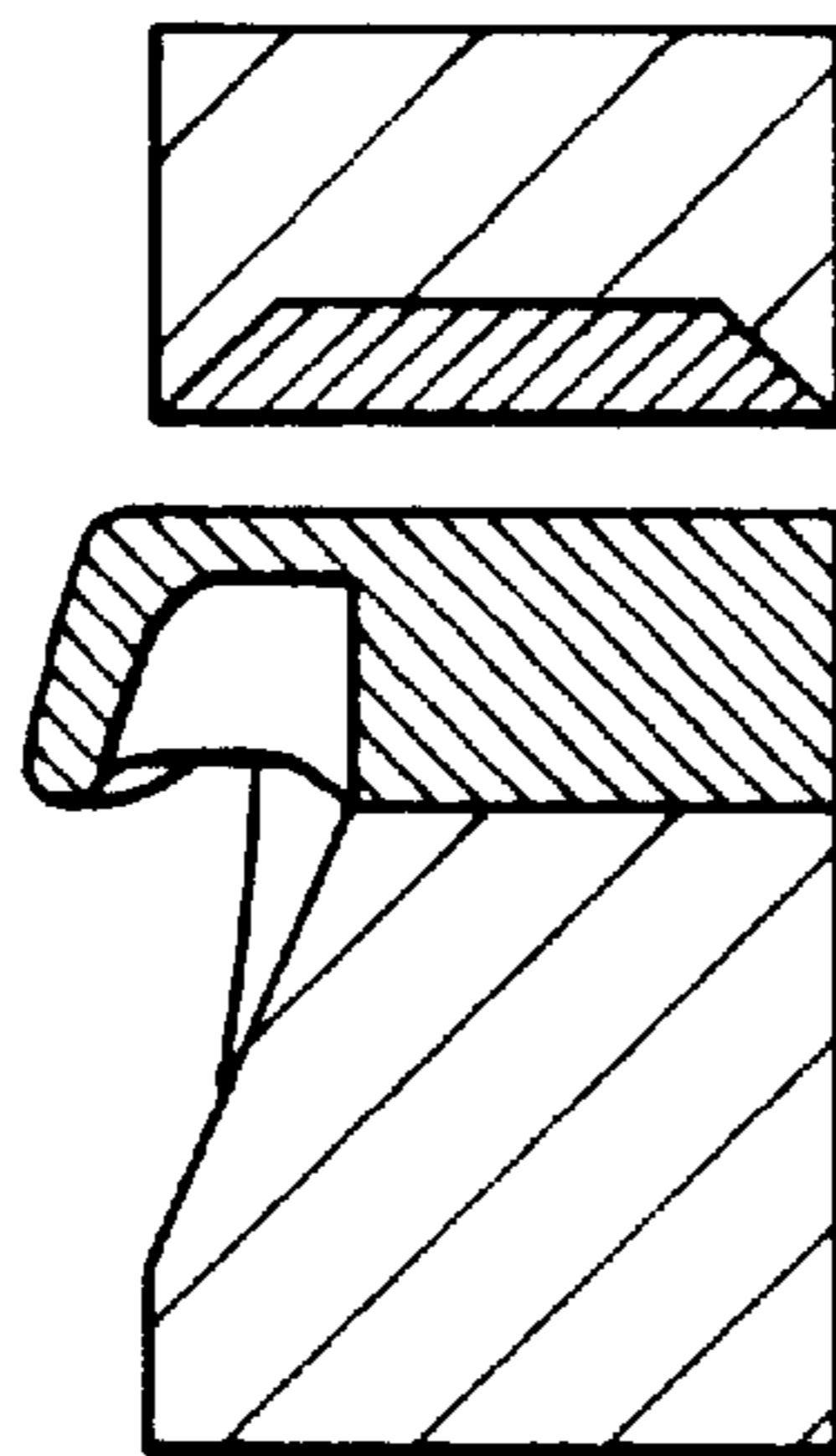


FIG. 14

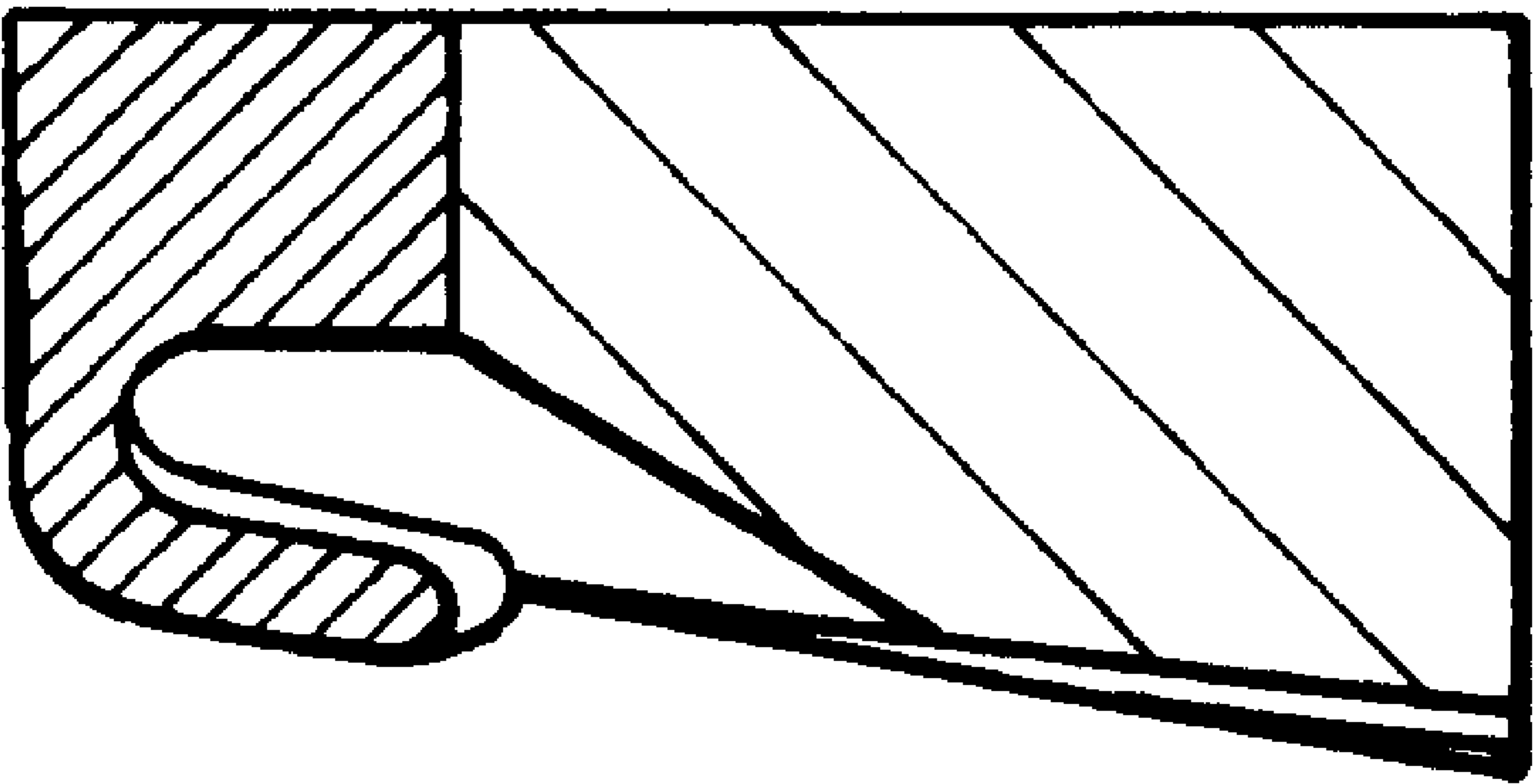


FIG. 15



FIG. 16

