



US00D411210S

United States Patent [19]

[11] Patent Number: **Des. 411,210**

Goebert et al.

[45] Date of Patent: **** Jun. 22, 1999**

[54] OUTER SURFACE OF A GRILL

[75] Inventors: **Barry Joseph Goebert**, Beaver Dam, Wis.; **Bengt Ake Nestell**, Pottstown, Pa.; **James Everett Grake**, West Bloomfield, Mich.

[73] Assignee: **Deere & Company**, Moline, Ill.

[**] Term: **14 Years**

[21] Appl. No.: **29/086,891**

[22] Filed: **Apr. 22, 1998**

[51] LOC (6) Cl. **15-03**

[52] U.S. Cl. **D15/31; D15/17; D12/163**

[58] Field of Search **D15/10, 14-17, D15/28, 31; D12/163; 56/13.3, 13.4, 15.8, 15.9, 16.1, 16.7, 17.4, 202, 255, 294, 320.1, 320.2; 180/900**

[56] References Cited

U.S. PATENT DOCUMENTS

D. 289,628	5/1987	Hamasaki	D12/163
D. 298,425	11/1988	Kubo	D12/163
D. 307,124	4/1990	Hayashi et al.	D12/163
D. 310,374	9/1990	Westimayer et al.	D15/15
D. 312,433	11/1990	Yamamoto	D12/163
D. 352,723	11/1994	DeBaal et al.	D15/31
D. 355,156	2/1995	Davis	D12/163
D. 365,578	12/1995	Westimayer et al.	D15/31
D. 382,279	8/1997	Goebert et al.	D15/31

OTHER PUBLICATIONS

Snapper, 1995 Tractors & Z Riders brochure, pp. 1-13, publication date-1995, published in the U.S.A.

Yamaha Power Equipment, Yamaha Lawn Tractors YT3600/YT5700/YT6700/YT6800 brochure, pp. 1-8, publication date-1990, published in the U.S.A.

Honda Power Equipment, Honda Lawn Tractors brochure, pp. 1-4, publication date-1986, published in the U.S.A.

Kubota Tractor Corporation, Kubota Diesel Tractor L2250/L2850 brochure, pp. 1-12, publication date-1986, published in Japan.

Cub Cadet Power Equipment, 1990 Product Line brochure, pp. 1-4, publication date Jul. 1990, published in the U.S.A.

The Toro Company, Toro Lawn Tractors & Rear Engine Riders brochure, pp. 1-8, publication date-1995, published in the U.S.A.

Primary Examiner—Sandra L. Morris

[57] CLAIM

The ornamental design for an outer surface of a grill, as shown and described.

DESCRIPTION

FIG. 1 is an elevated front perspective view of an outer surface of a grill showing our new design, the broken line showing of the hood and headlights being for illustrative purposes only, and forms no part of the claimed design.

FIG. 2 is a front view of the outer surface of a grill design of FIG. 1.

FIG. 3 is a left side view of the outer surface of a grill design of FIG. 1.

FIG. 4 is a right side view of the outer surface of a grill design of FIG. 1; and,

FIG. 5 is a top plan view of the outer surface of a grill design of FIG. 1.

1 Claim, 2 Drawing Sheets

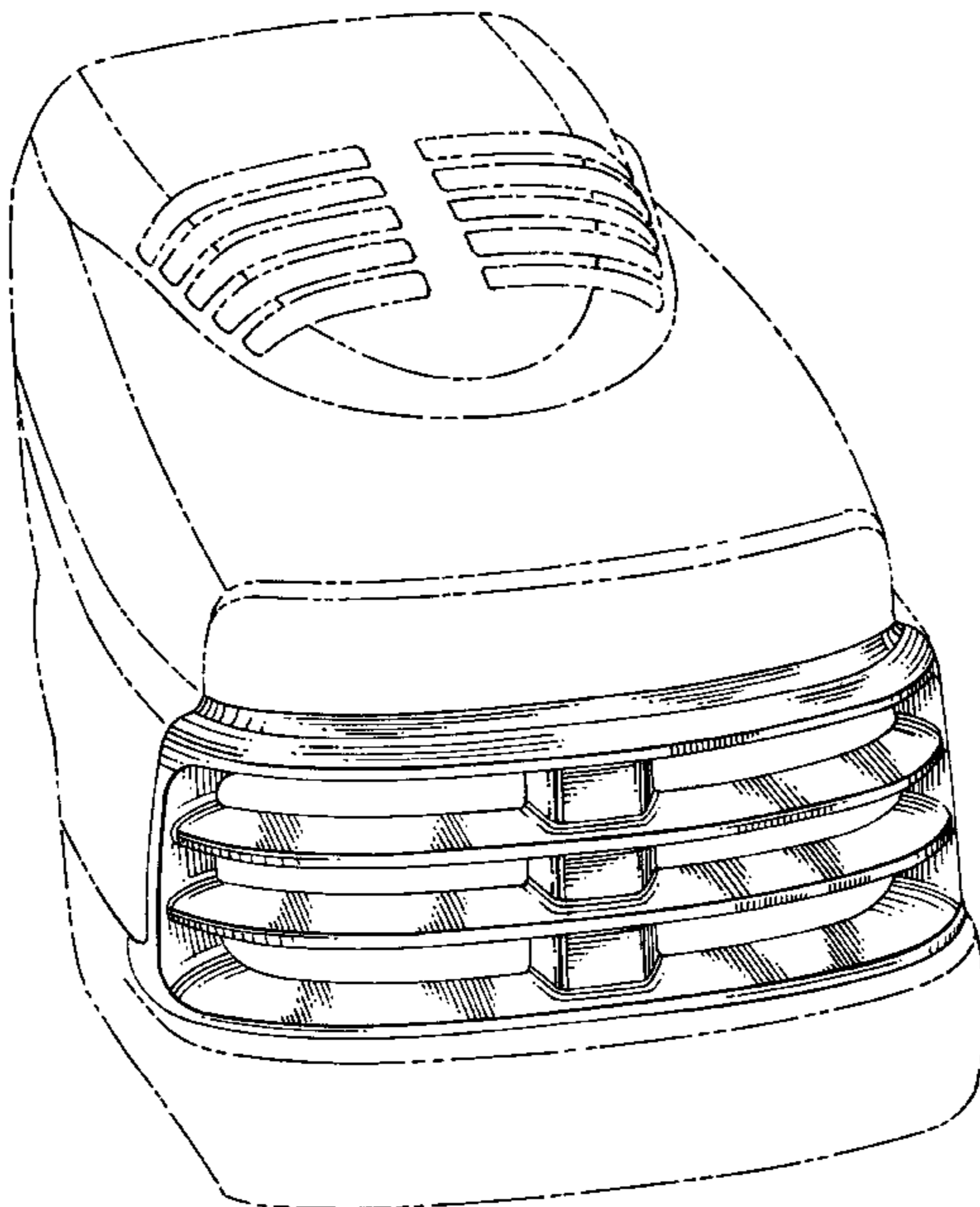
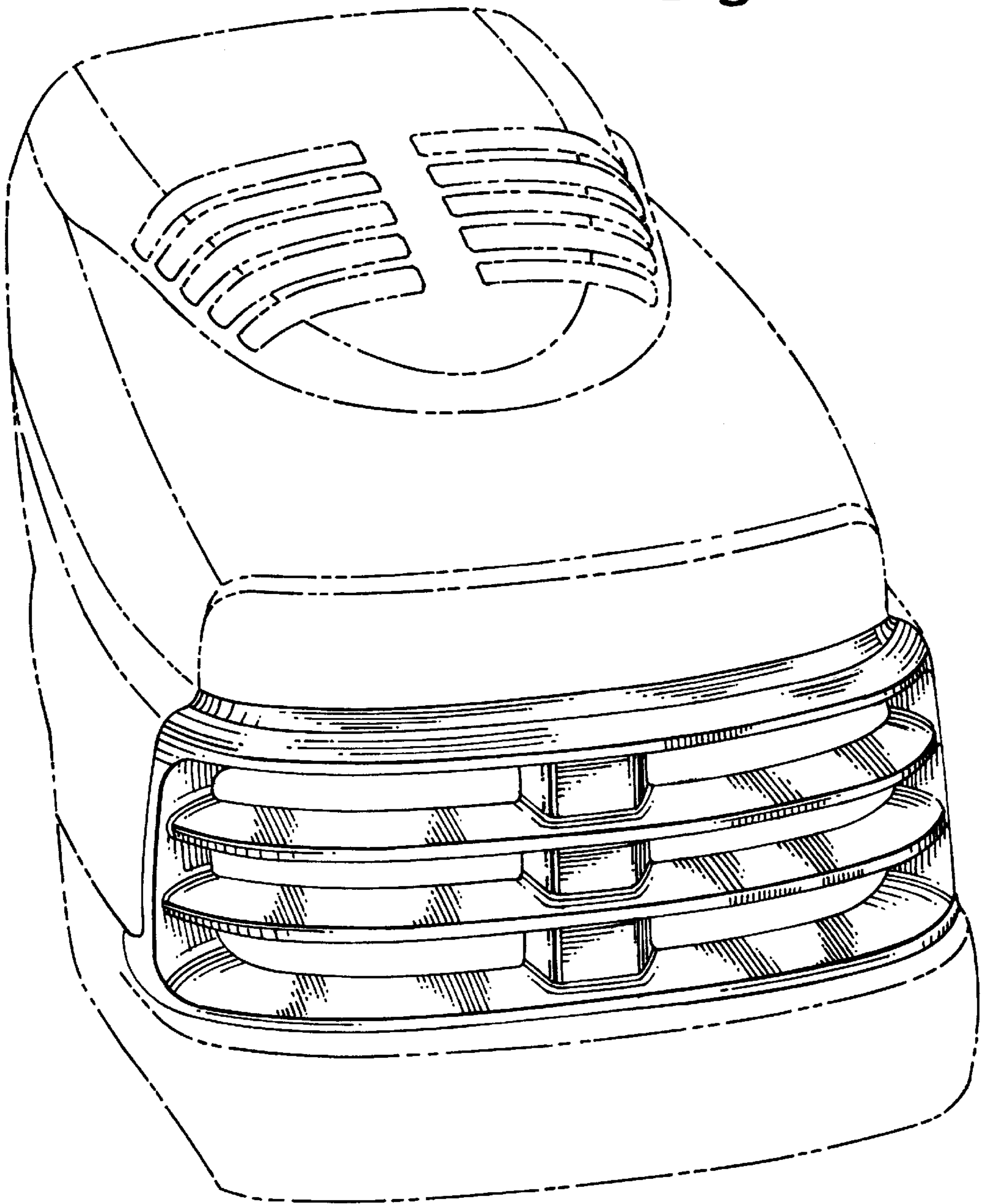


Fig. 1



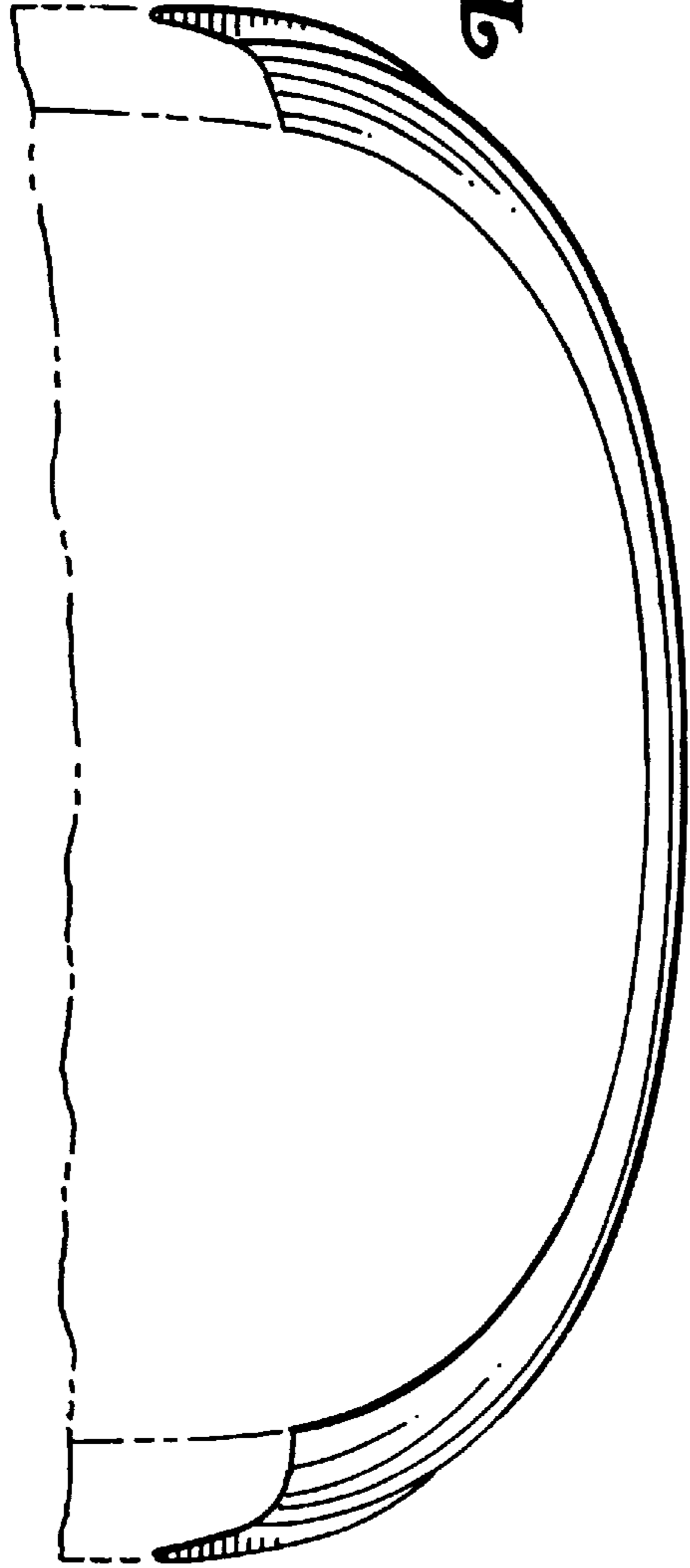


Fig. 5

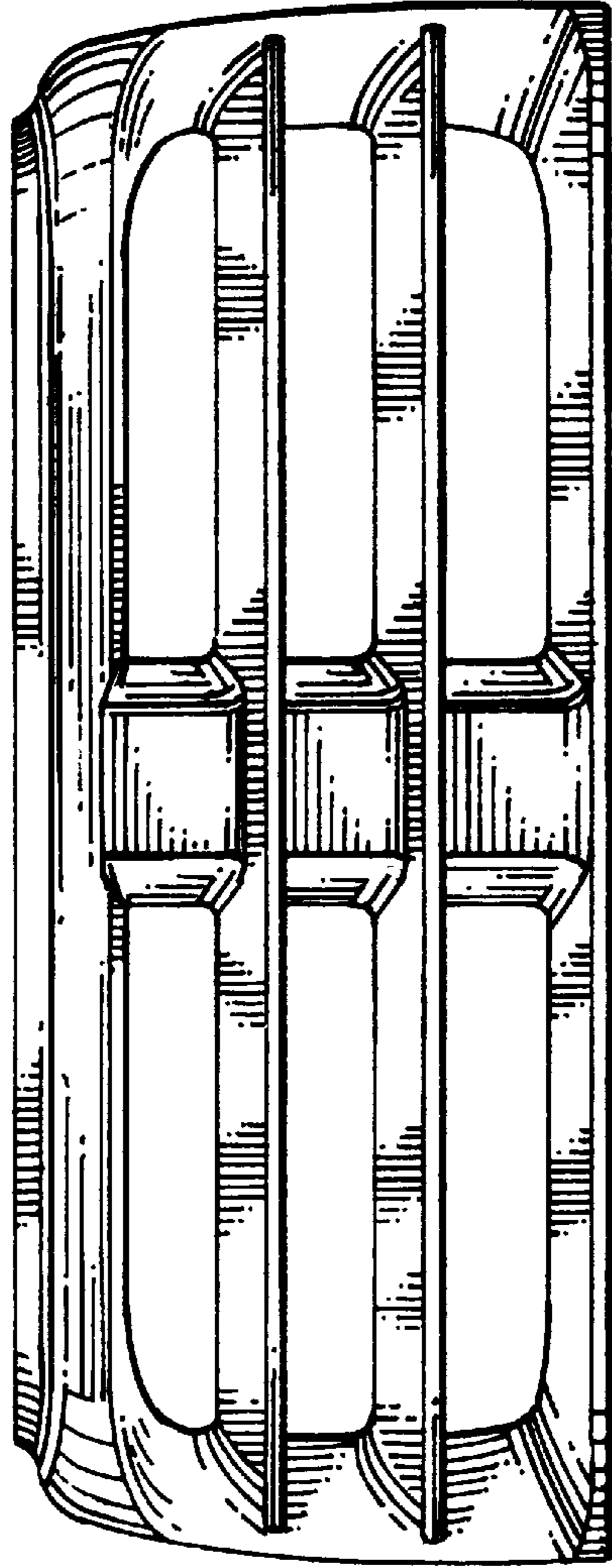


Fig. 2

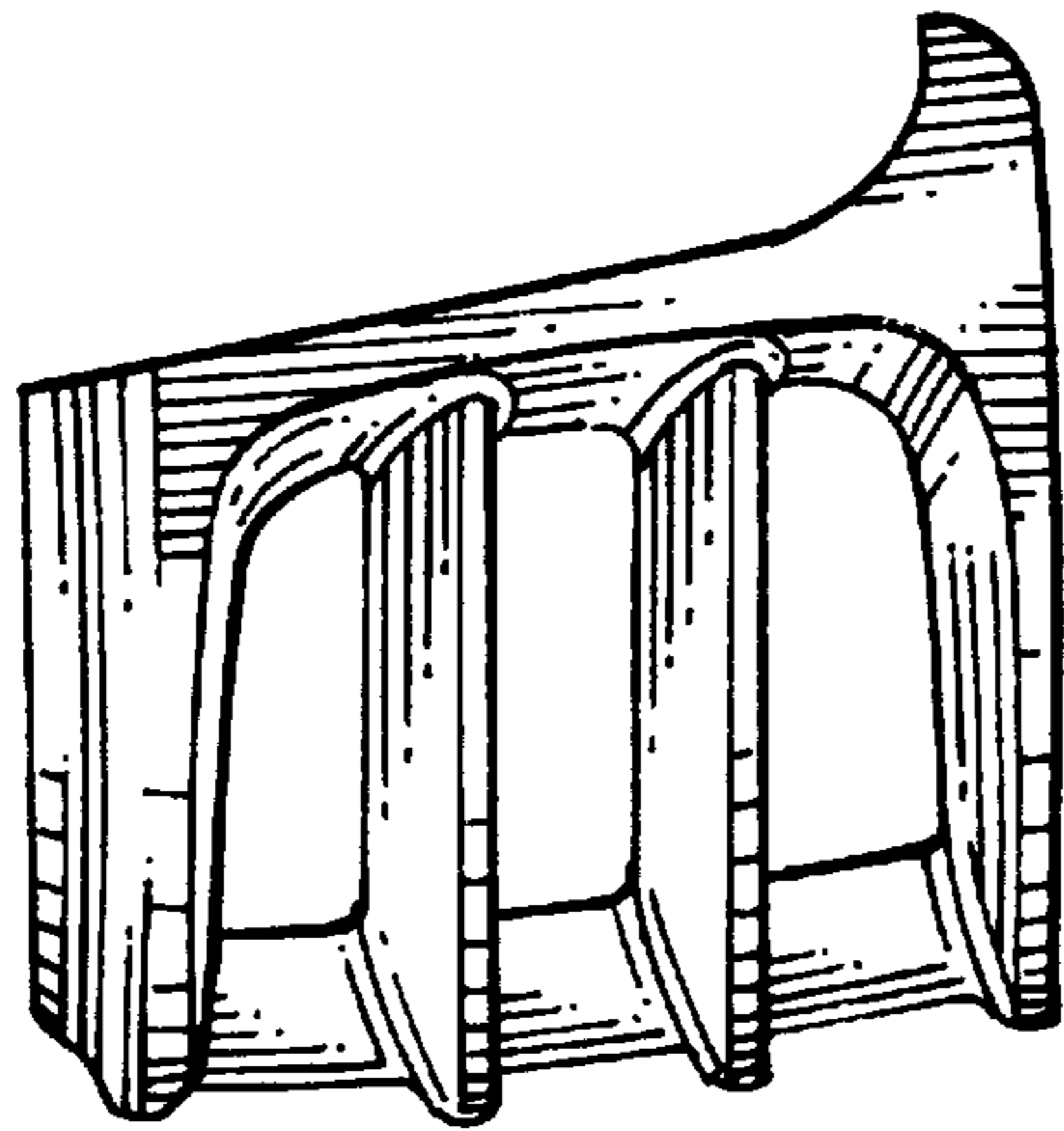


Fig. 4

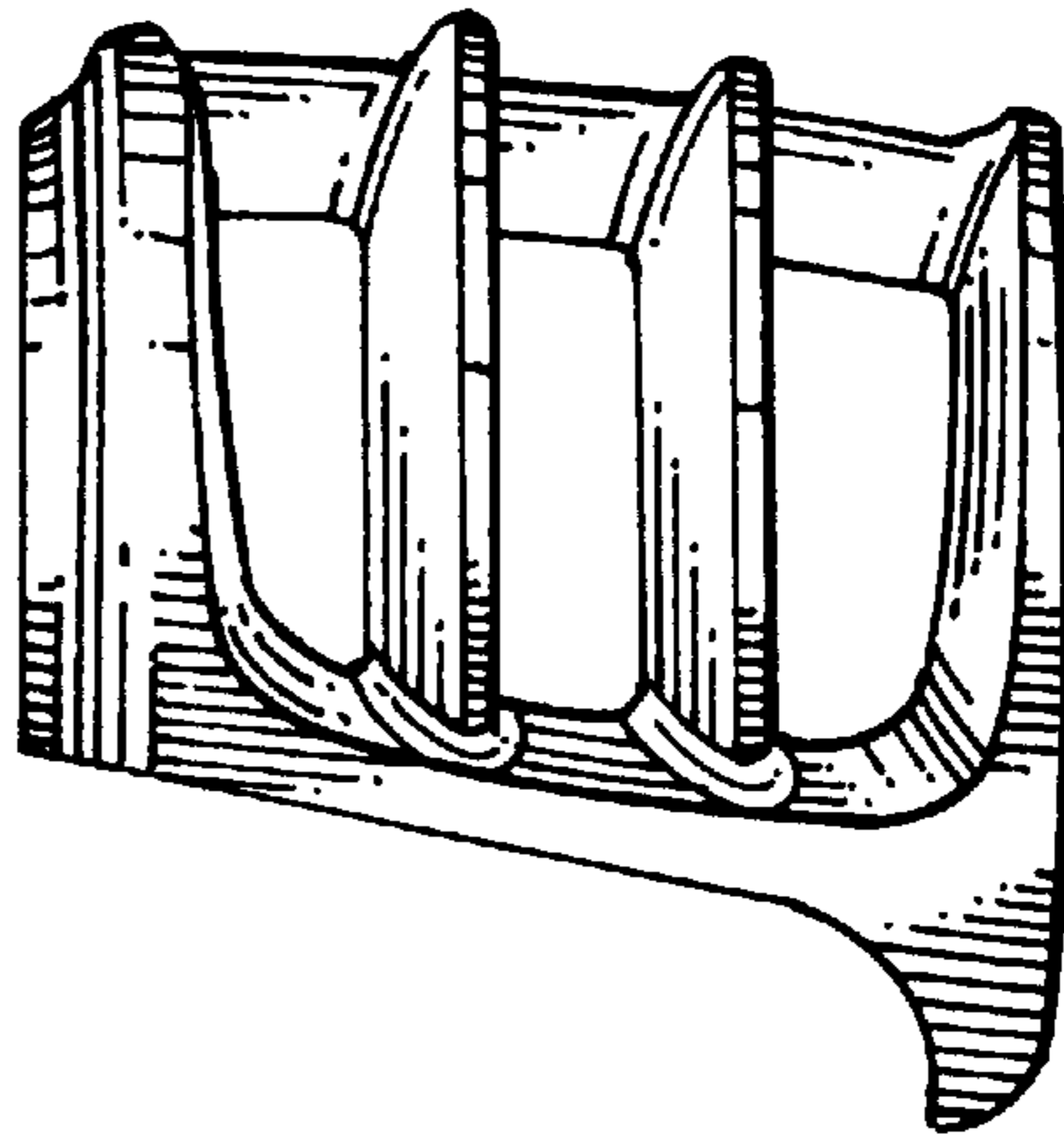


Fig. 3