



US00D411207S

United States Patent [19]

Richter

[11] Patent Number: **Des. 411,207**

[45] Date of Patent: **** Jun. 22, 1999**

- [54] **CLAMP WITH NECK AND FLAT TELEPHONE HOLDER**
- [76] Inventor: **Herbert Richter**, Drosselweg 8, 75331 Engelbrand, Germany
- [**] Term: **14 Years**
- [21] Appl. No.: **29/098,682**
- [22] Filed: **Jan. 4, 1999**
- [51] **LOC (6) Cl.** **14-03**
- [52] **U.S. Cl.** **D14/253**
- [58] **Field of Search** D14/137, 138, D14/148, 147, 149-151, 140-142, 240, 241, 251, 253; 379/433-436, 419, 420, 428, 440, 454, 455, 446, 447; D13/107, 108; 320/110, 113, 114, 115; D7/388, 392.1; D8/354, 349, 373, 395, 396, 71; D16/242; D11/131, 132

- 5,392,350 2/1995 Swanson 379/446
- 5,568,549 10/1996 Wang 379/446
- 5,799,914 9/1998 Chivallier et al. 224/929

Primary Examiner—Jeffrey Asch
Attorney, Agent, or Firm—Klaus J. Bach

[57] CLAIM

The ornamental design for a clamp with neck and flat telephone holder, as shown and described.

DESCRIPTION

FIG. 1 is a perspective view of the clamp with neck and flat telephone holder;

FIG. 2 is a side view of the clamp with neck and flat telephone holder shown in FIG. 1, the opposite side being substantially a mirror image thereof except that the line to the right of the circular features on the clamp would not be seen;

FIG. 3 is a top view of the clamp with neck and flat telephone holder shown in FIG. 2, the bottom being a mirror image thereof;

FIG. 4 is a right end view of the clamp with neck and flat telephone holder shown in FIG. 3; and,

FIG. 5 is a left end view of the clamp with neck and flat telephone holder shown in FIG. 3.

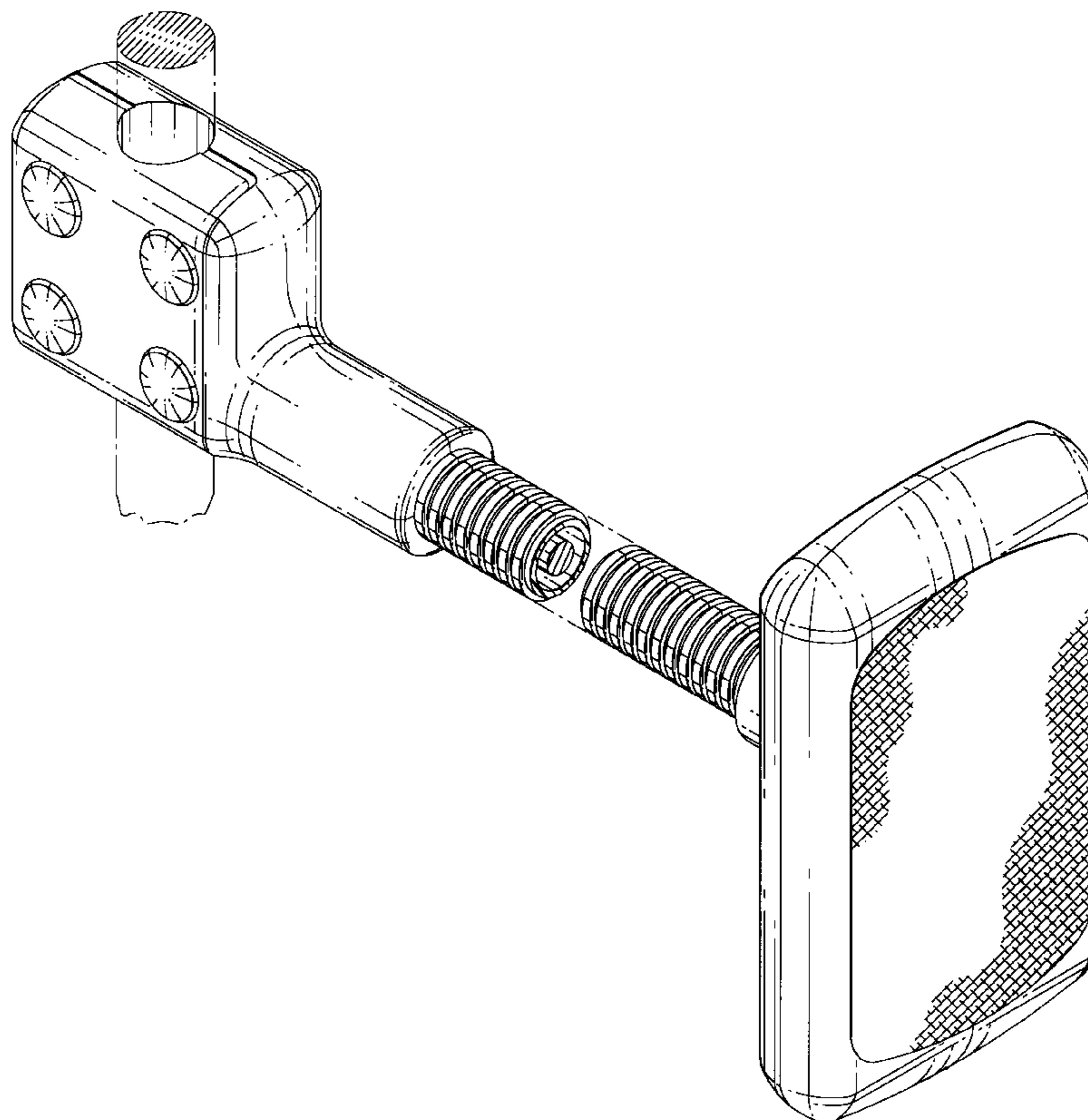
The patterned surface treatment schematically depicted throughout the views is continuous about the surfaces on which it is shown. The neck is shown broken away and connected by broken lines to indicate an indeterminate length. The broken line showing of a tubular member is for illustrative purposes only and forms no part of the claimed design.

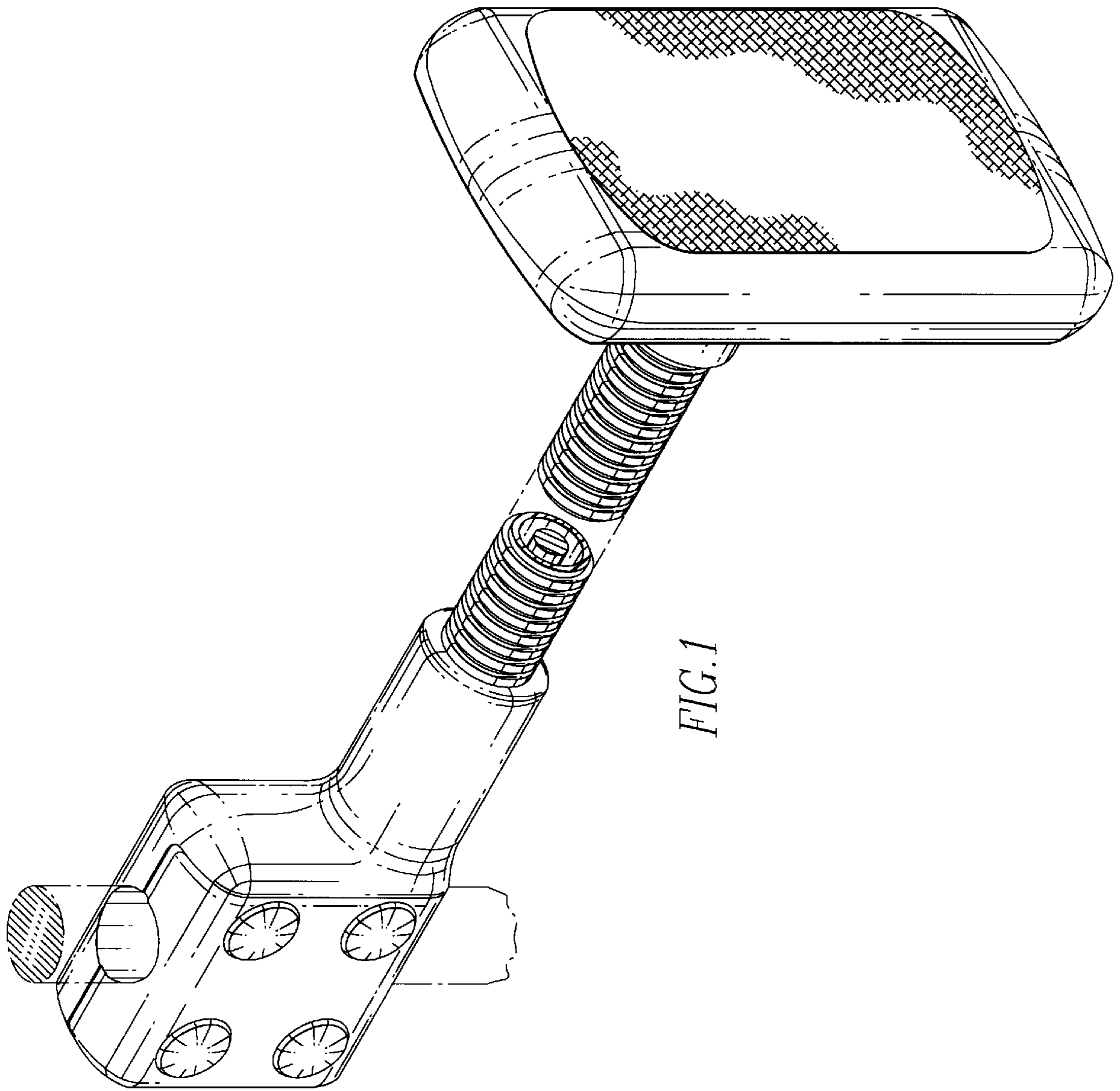
[56] References Cited

U.S. PATENT DOCUMENTS

D. 309,307	7/1990	Sigurdson	D14/251
D. 337,333	7/1993	Turk	D14/251
D. 363,492	10/1995	Brussing	D14/251
D. 391,265	2/1998	Richter	D14/253
D. 394,669	5/1998	Becker et al.	D16/242
D. 406,592	3/1999	Richter	D14/253
2,519,746	8/1950	Hart et al.	379/455 X
2,686,231	8/1954	Stevens	379/447
2,784,261	3/1957	Anklesaria	379/455
4,842,174	6/1989	Sheppard et al.	379/454
5,187,744	2/1993	Richter	379/449

1 Claim, 4 Drawing Sheets





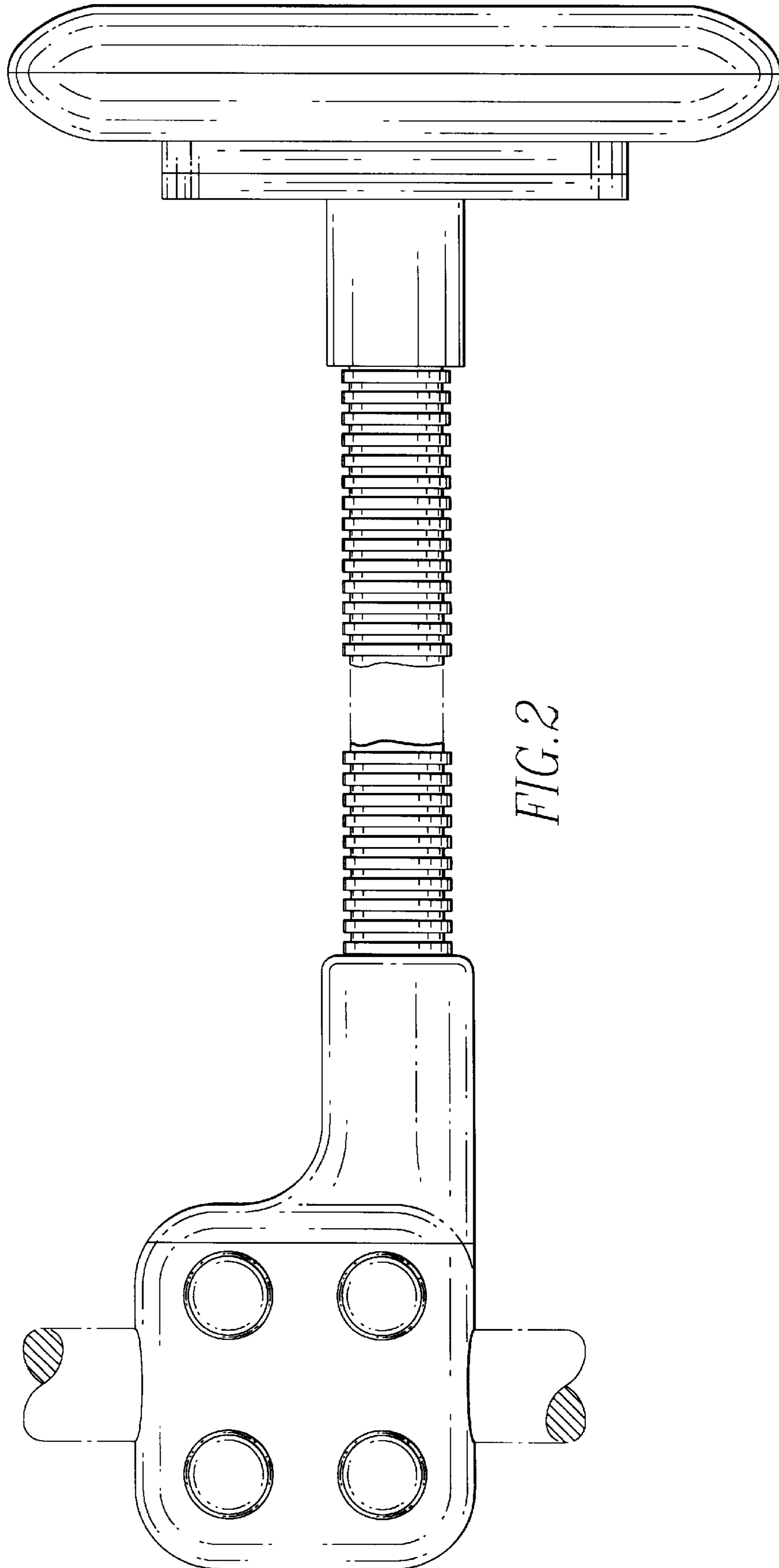


FIG. 2

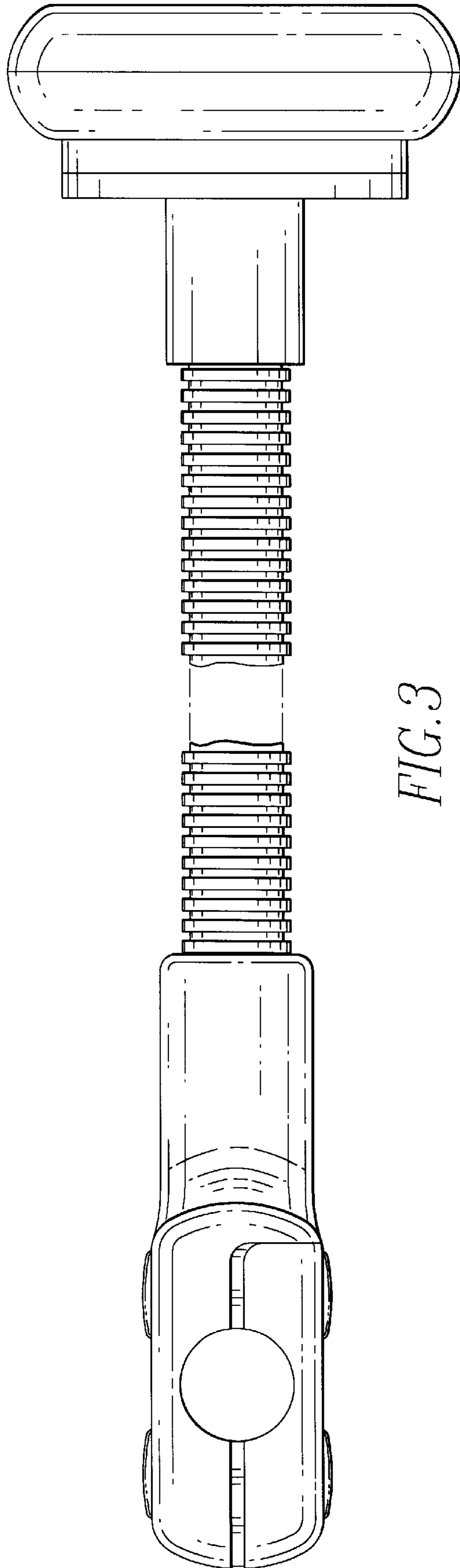


FIG. 3

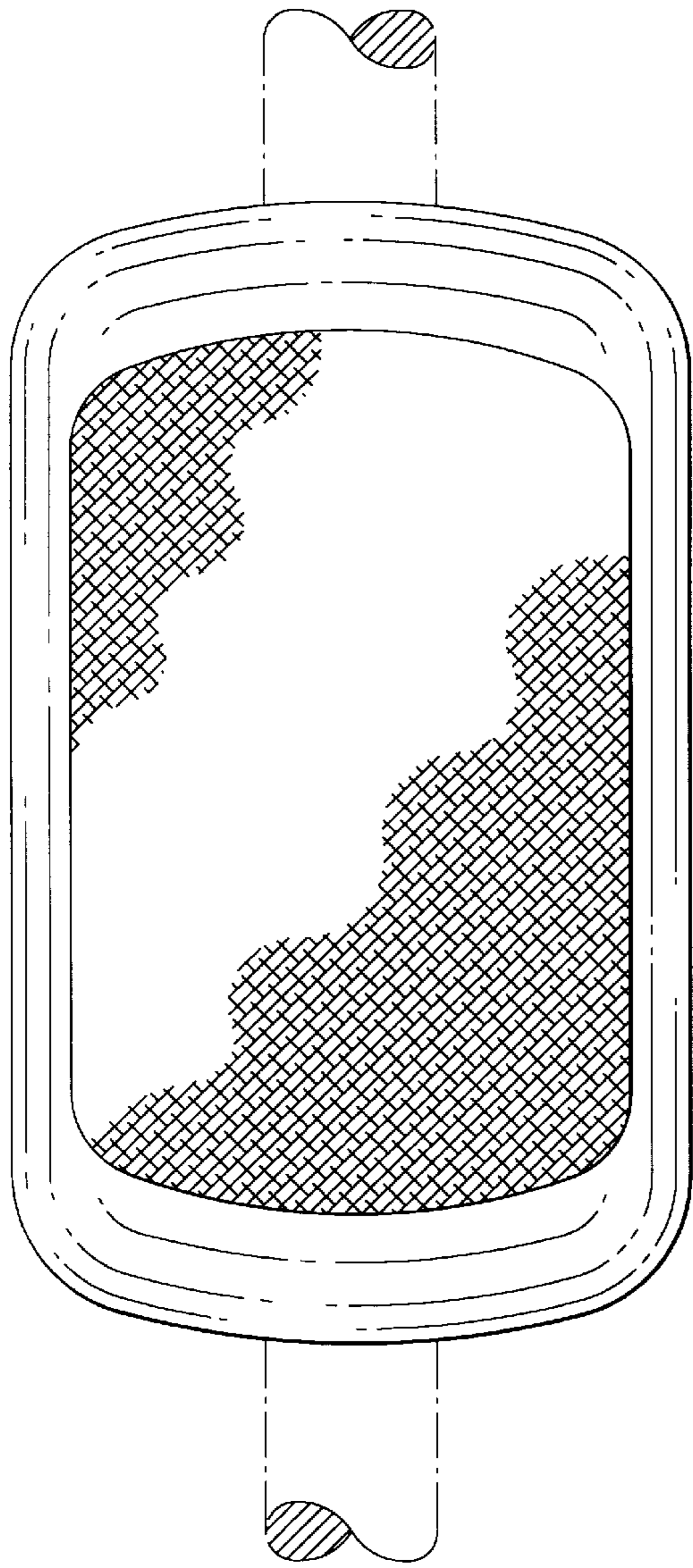


FIG. 4

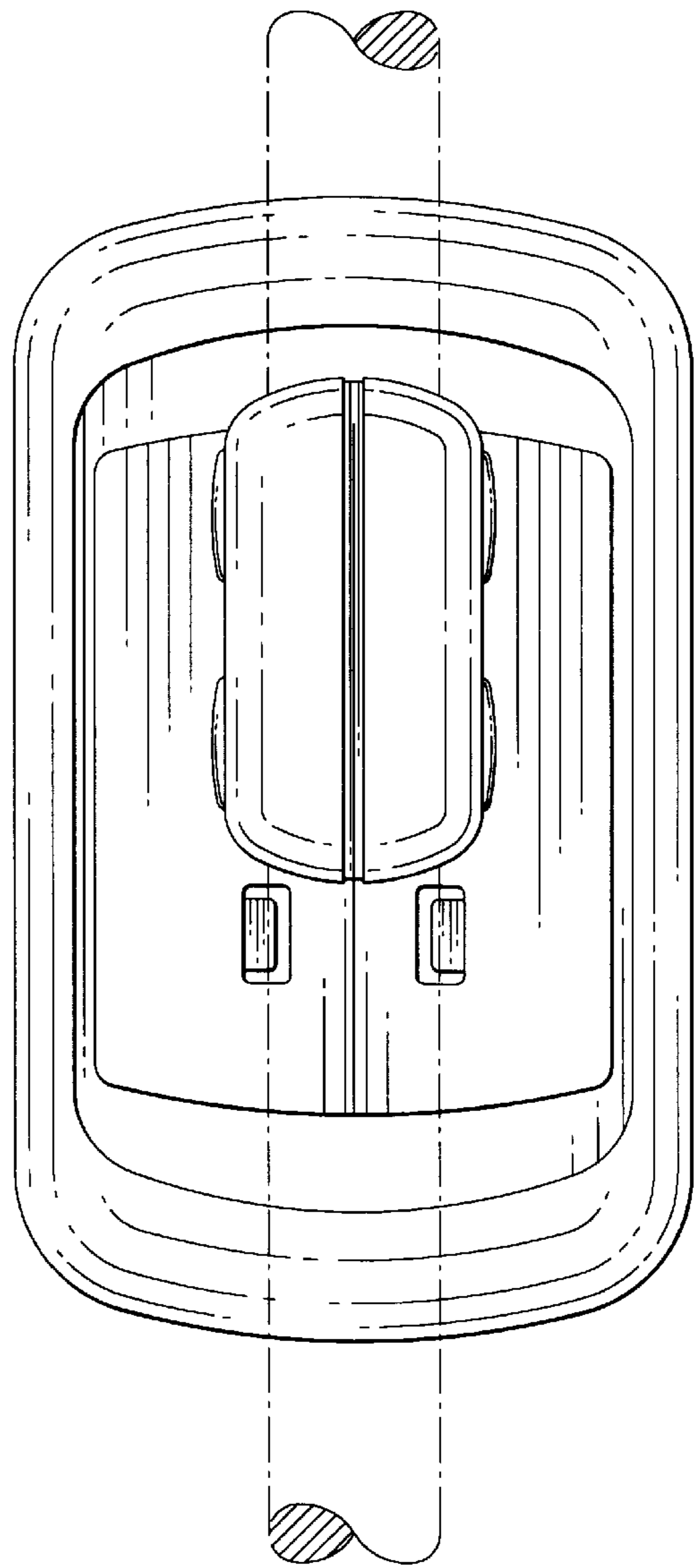


FIG. 5