



US00D411206S

# United States Patent [19] Richter

[11] **Patent Number: Des. 411,206**

[45] **Date of Patent: \*\* Jun. 22, 1999**

[54] **MAGENETIC TELEPHONE HOLDER**

2,686,231 8/1954 Stevens ..... 379/447  
5,333,767 8/1994 Anderson ..... 224/183

[76] Inventor: **Herbert Richter**, Drosselweg 8, 75331  
Engelbrand, Germany

*Primary Examiner*—Jeffrey Asch  
*Attorney, Agent, or Firm*—Klaus J. Bach

[\*\*] Term: **14 Years**

[57] **CLAIM**

[21] Appl. No.: **29/096,167**

The ornamental design for a magnetic telephone holder, as shown and described.

[22] Filed: **Nov. 6, 1998**

### DESCRIPTION

[51] **LOC (6) Cl.** ..... **14-03**

[52] **U.S. Cl.** ..... **D14/253**

[58] **Field of Search** ..... D14/137, 138,  
D14/148, 147, 149-151, 140-142, 240,  
241, 251, 253; 379/433-436, 419, 420,  
428, 440, 454, 455, 446, 447; D13/107,  
108; 320/110, 113, 114, 115; D16/242;  
D11/131, 132; D7/388, 392.1

FIG. 1 is a perspective view of the magnetic telephone holder;

FIG. 2 is a side view of the magnetic telephone holder shown in FIG. 1 the opposite side being a mirror image thereof; FIG. 3 is an end view of the magnetic telephone holder shown in Fig. 1 the opposite end being a mirror image thereof;

FIG. 4 is a top view of the magnetic telephone holder shown in FIG. 1; and,

FIG. 5 is a bottom view of the magnetic telephone holder shown in FIG. 1.

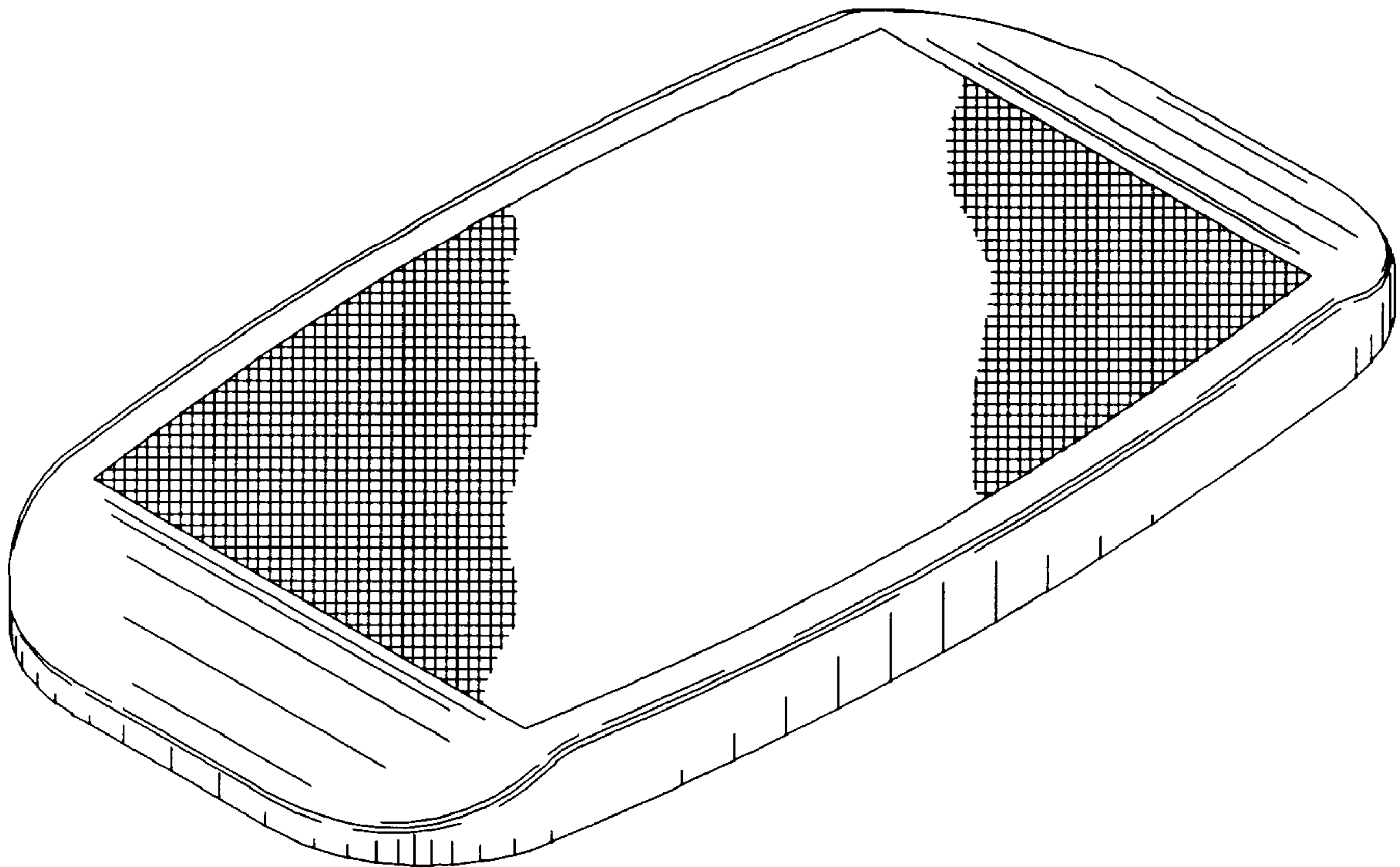
The patterned surface treatment schematically depicted throughout the views is continuous about the surfaces on which it is shown.

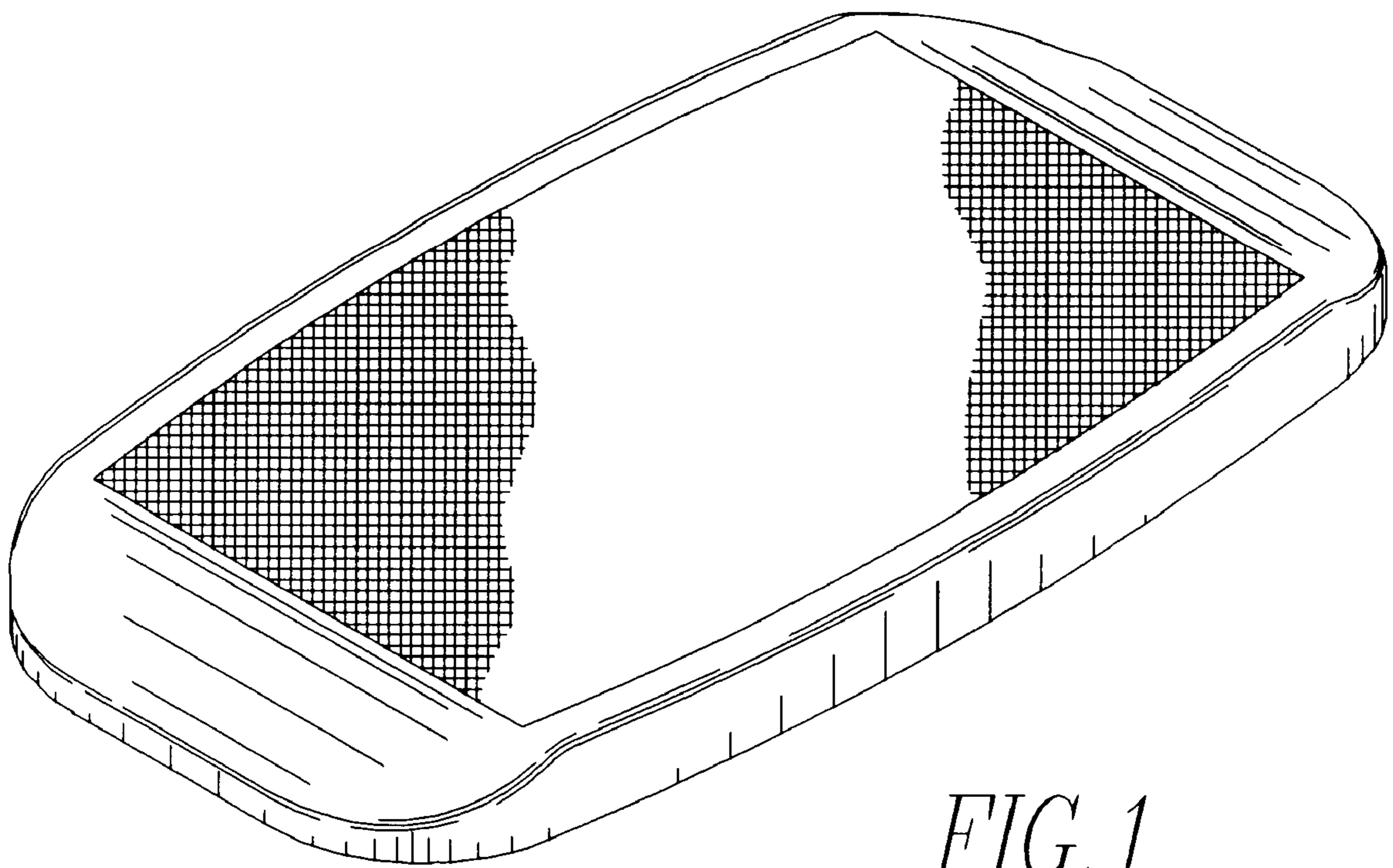
### [56] **References Cited**

#### U.S. PATENT DOCUMENTS

D. 239,691 4/1976 Ashton ..... D7/388  
D. 289,719 5/1987 Daenan et al. .... D7/392.1  
D. 317,730 6/1991 Mo ..... D11/5  
D. 321,491 11/1991 Stagl ..... D11/132  
D. 346,805 5/1994 Kim ..... D14/240  
D. 406,592 3/1999 Richter ..... D14/253

**1 Claim, 2 Drawing Sheets**





*FIG. 1*

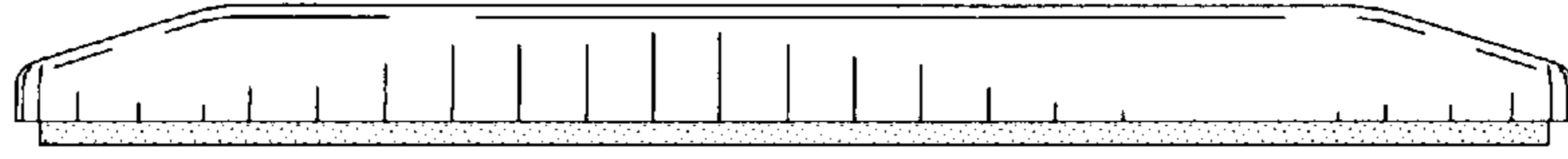


FIG. 2

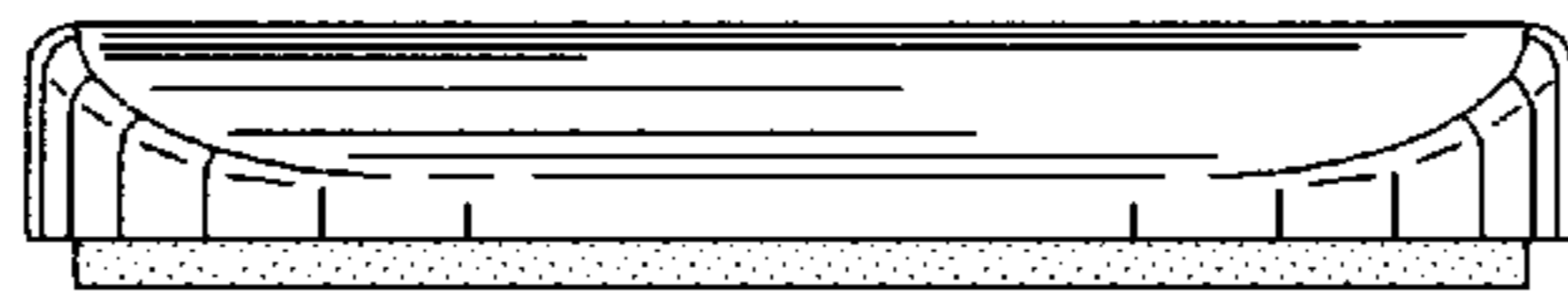


FIG. 3

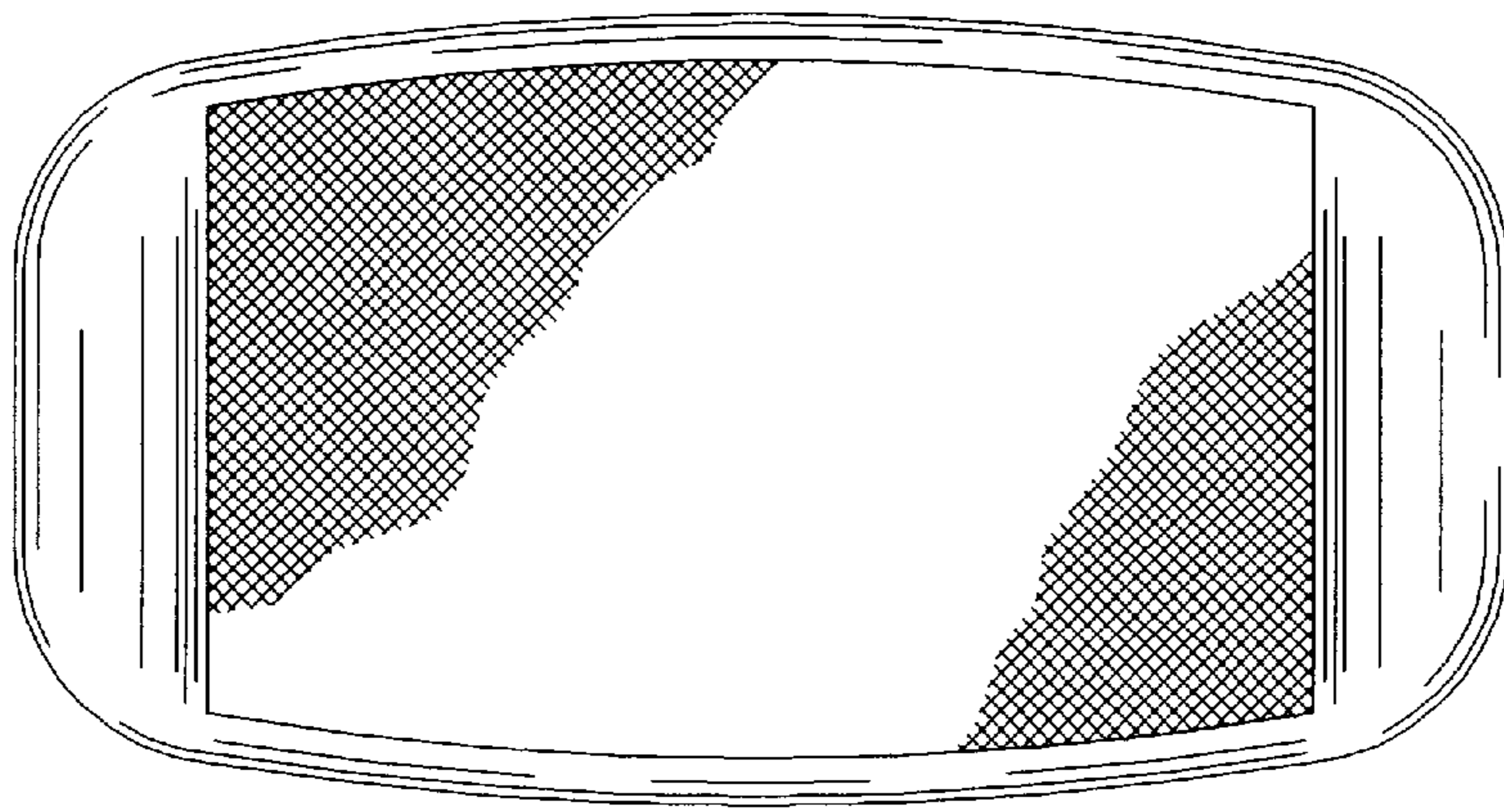


FIG. 4

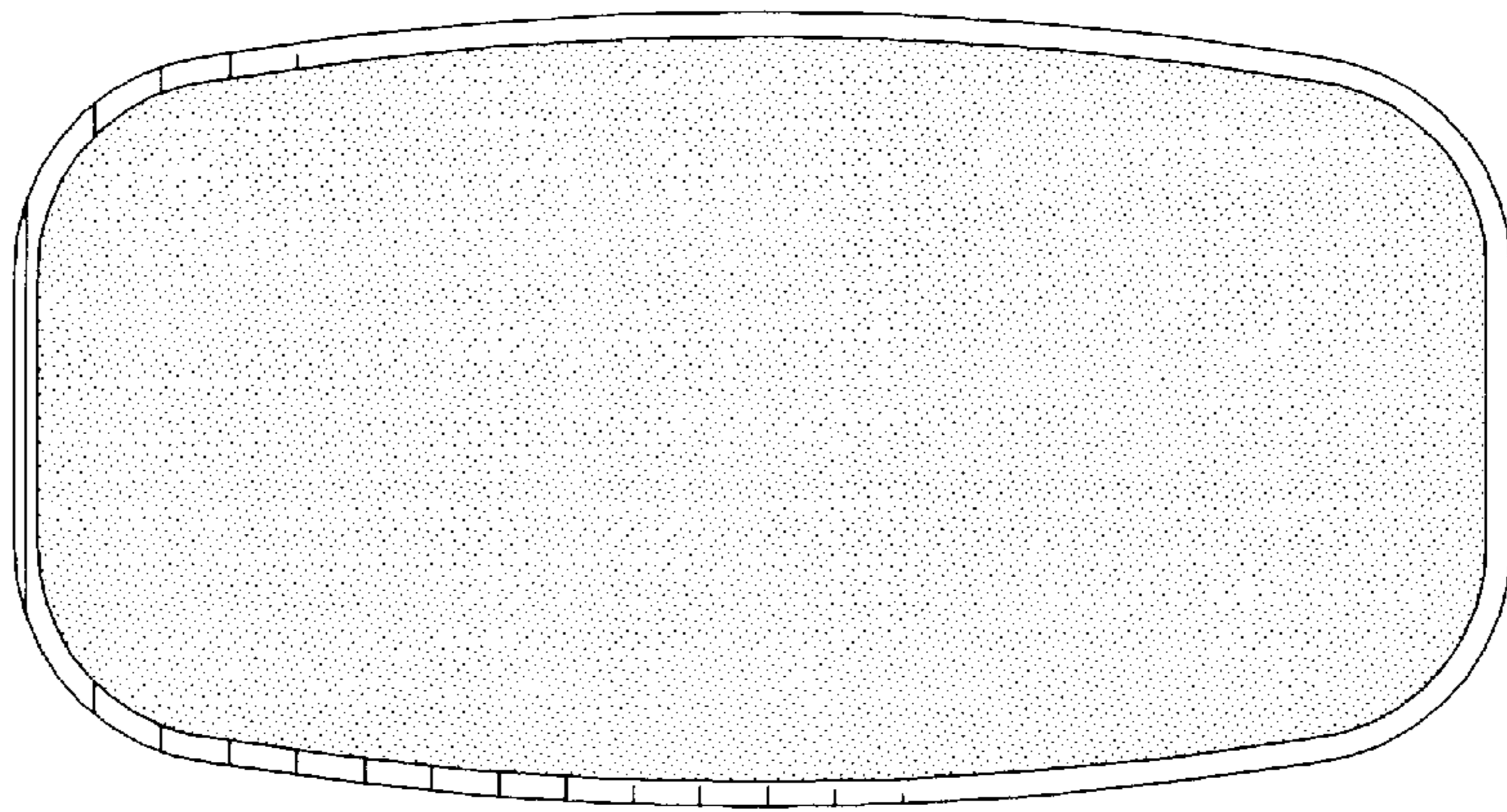


FIG. 5