



US00D411202S

United States Patent [19]

Flanagan, III et al.

[11] Patent Number: **Des. 411,202**

[45] Date of Patent: **** Jun. 22, 1999**

[54] **COMMUNICATION DEVICE**

[75] Inventors: **Daniel J. Flanagan, III**, Des Plaines;
Steve Gump, Algonquin; **Albert L. Nagele**, Wilmette, all of Ill.

[73] Assignee: **Motorola, Inc.**, Schaumburg, Ill.

[**] Term: **14 Years**

[21] Appl. No.: **29/085,234**

[22] Filed: **Mar. 17, 1998**

[51] **LOC (6) Cl.** **14-03**

[52] **U.S. Cl.** **D14/242; D14/107**

[58] **Field of Search** D14/100, 102,
D14/107, 114, 240, 242, 149, 137, 140,
142, 191, 155, 159, 230; D13/147, 162,
164, 184; 379/419, 420, 428, 440, 441,
442, 93.01; 375/220, 222, 223; 174/50;
361/600, 605, 686, 622, 728, 730; 455/550-575,
349, 90

[56] **References Cited**

U.S. PATENT DOCUMENTS

D. 321,691	11/1991	Brenda et al.	D14/191
D. 321,878	11/1991	Brenda et al.	D14/191
D. 345,980	4/1994	Scheid et al.	D14/191
D. 354,280	1/1995	Fenton	D14/137 X
D. 355,173	2/1995	Fenton et al.	D14/107
D. 355,412	2/1995	Rak et al.	D14/242 X
D. 361,332	8/1995	Scheid et al.	D14/191
D. 362,250	9/1995	Hording et al.	D14/242 X
D. 371,770	7/1996	Larson et al.	D14/107
D. 388,803	1/1998	Shinano	D14/107 X
5,336,090	8/1994	Aldous et al.	361/686 X
5,594,952	1/1997	Virtuoso et al.	455/349
5,621,363	4/1997	Ogden et al.	455/90 X
5,628,055	5/1997	Stein	455/575

5,678,229 10/1997 Seki et al. 375/222 X
5,778,325 7/1998 Landell et al. 455/575

Primary Examiner—Jeffrey Asch
Attorney, Agent, or Firm—Randall S. Vaas

[57] **CLAIM**

The ornamental design for a communication device, as shown and described.

DESCRIPTION

FIG. 1 is a front, right side, and top perspective view showing our new design for a communication device with broken line matter being for illustrative purposes only and forming no part of the claimed design.

FIG. 2 is a left side elevation view thereof with broken line matter being for illustrative purposes only and forming no part of the claimed design.

FIG. 3 is a top plan view thereof with broken line matter being for illustrative purposes only and forming no part of the claimed design.

FIG. 4 is a front elevation view thereof with broken line matter being for illustrative purposes only and forming no part of the claimed design.

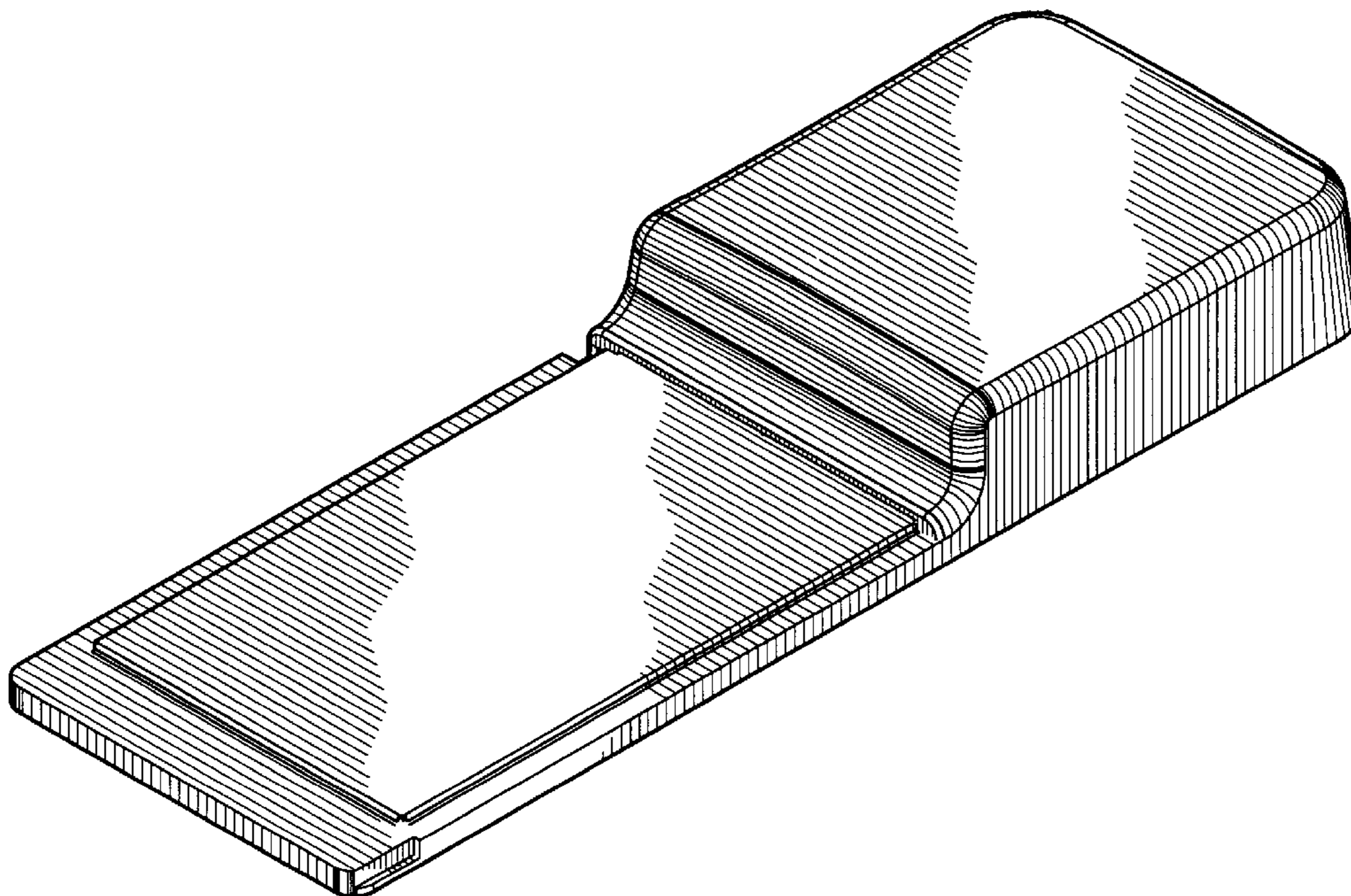
FIG. 5 is a back elevation view thereof with broken line matter being for illustrative purposes only and forming no part of the claimed design.

FIG. 6 is a right side elevation view thereof with broken line matter being for illustrative purposes only and forming no part of the claimed design.

FIG. 7 is a bottom plan view thereof with broken line matter being for illustrative purposes only and forming no part of the claimed design; and,

FIG. 8 is a front, right side, and top perspective view of the communication device with dotted line subject matter removed.

1 Claim, 4 Drawing Sheets



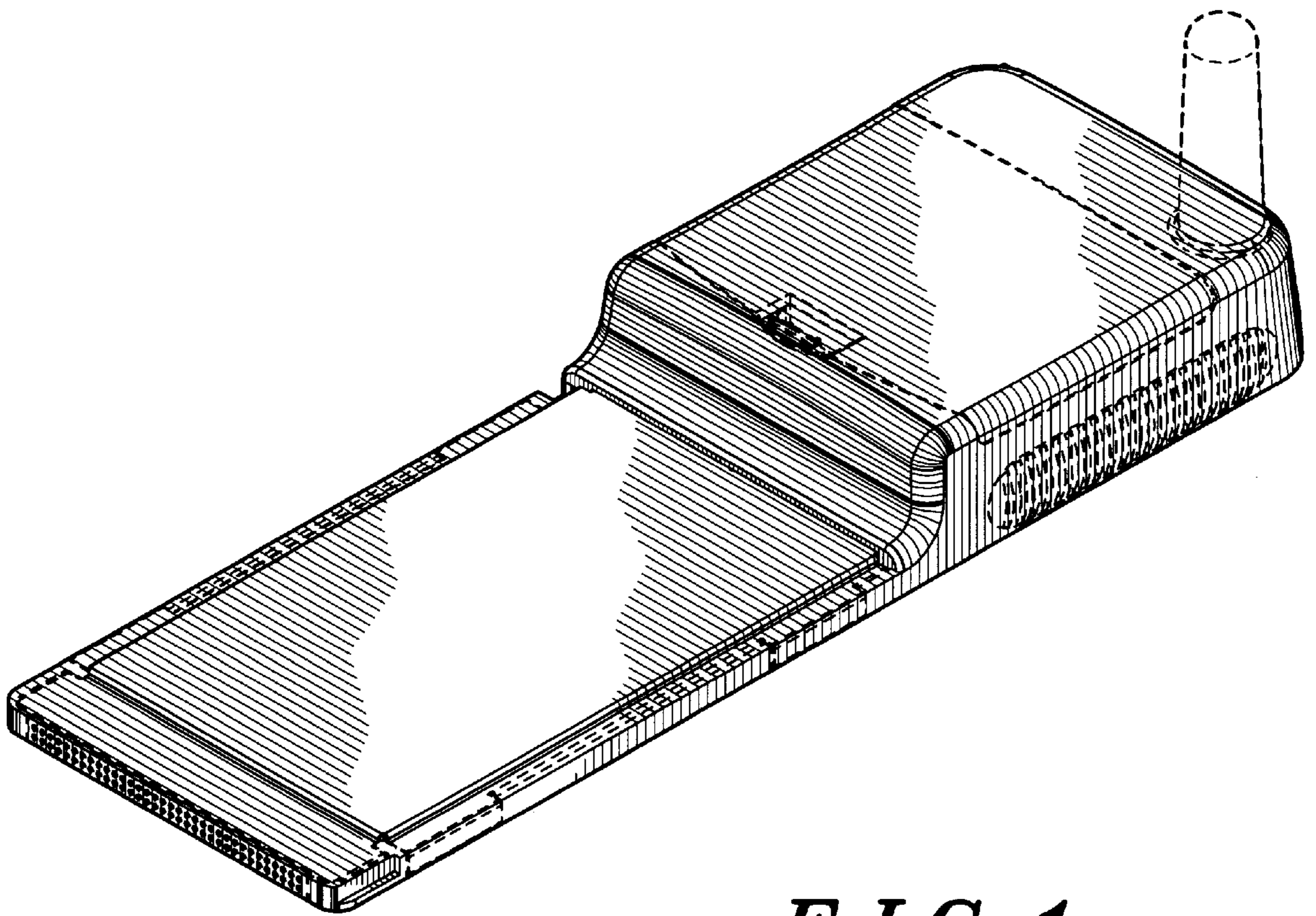


FIG. 1

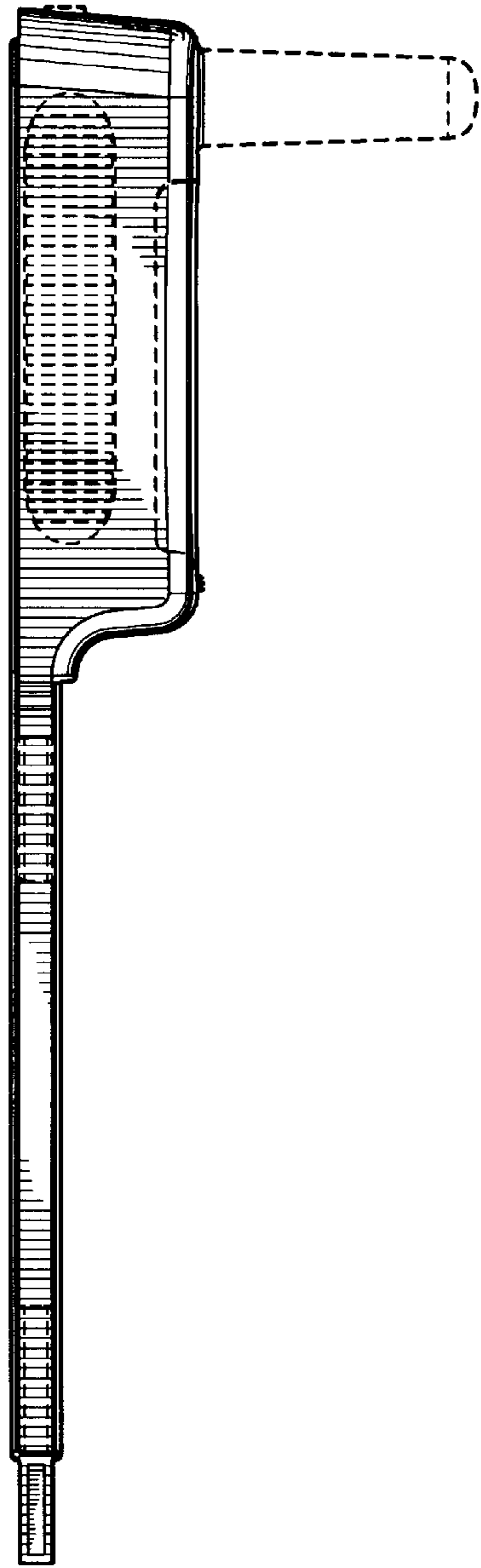


FIG. 2

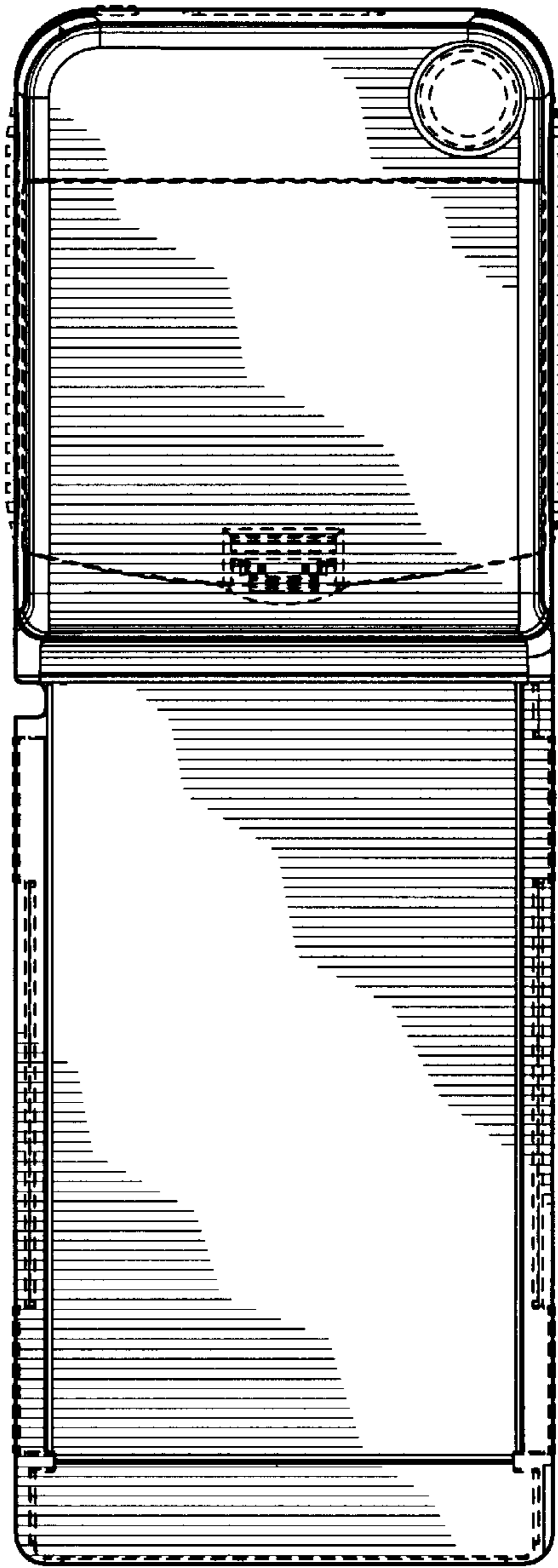


FIG. 3

FIG. 4

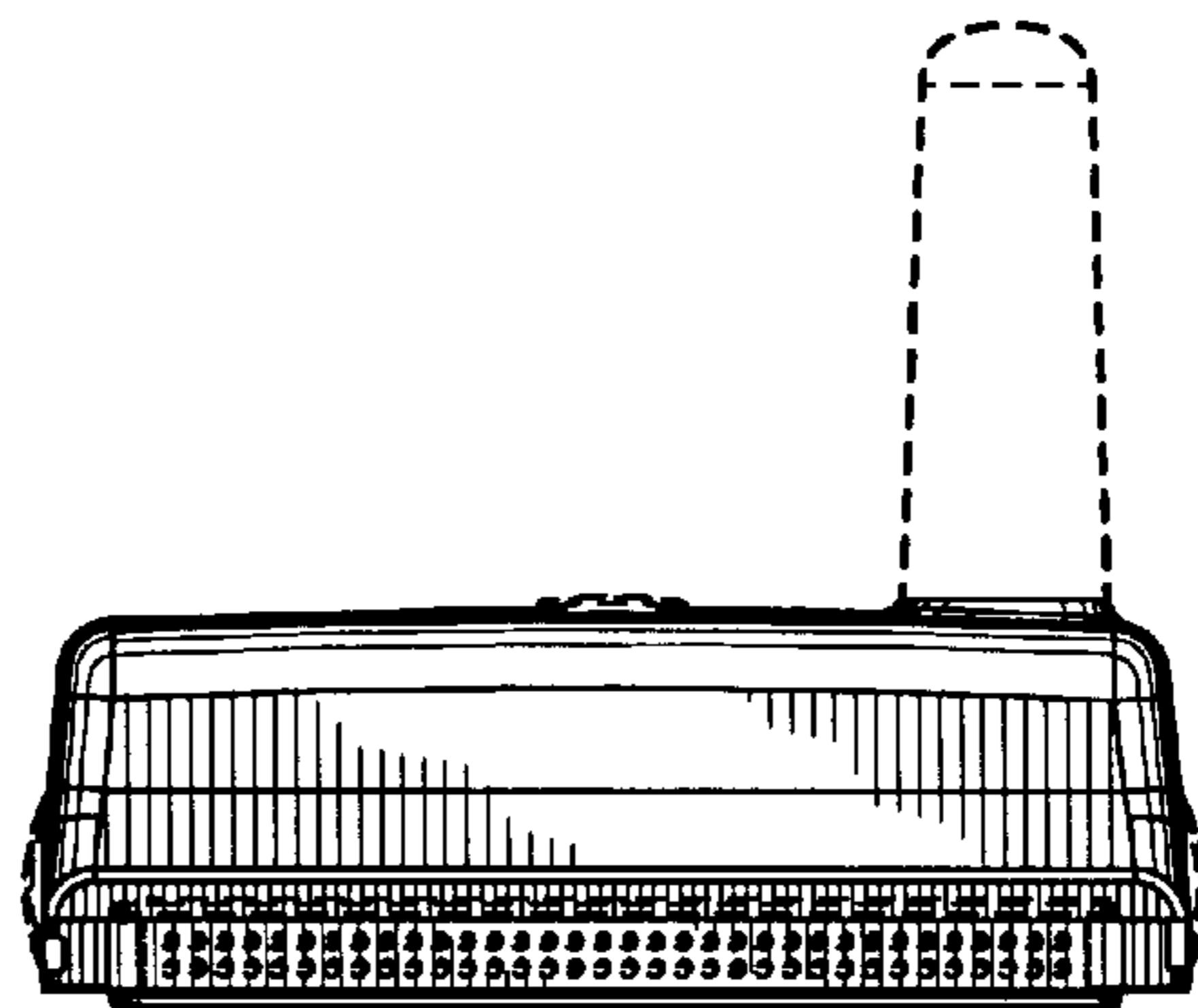


FIG. 5

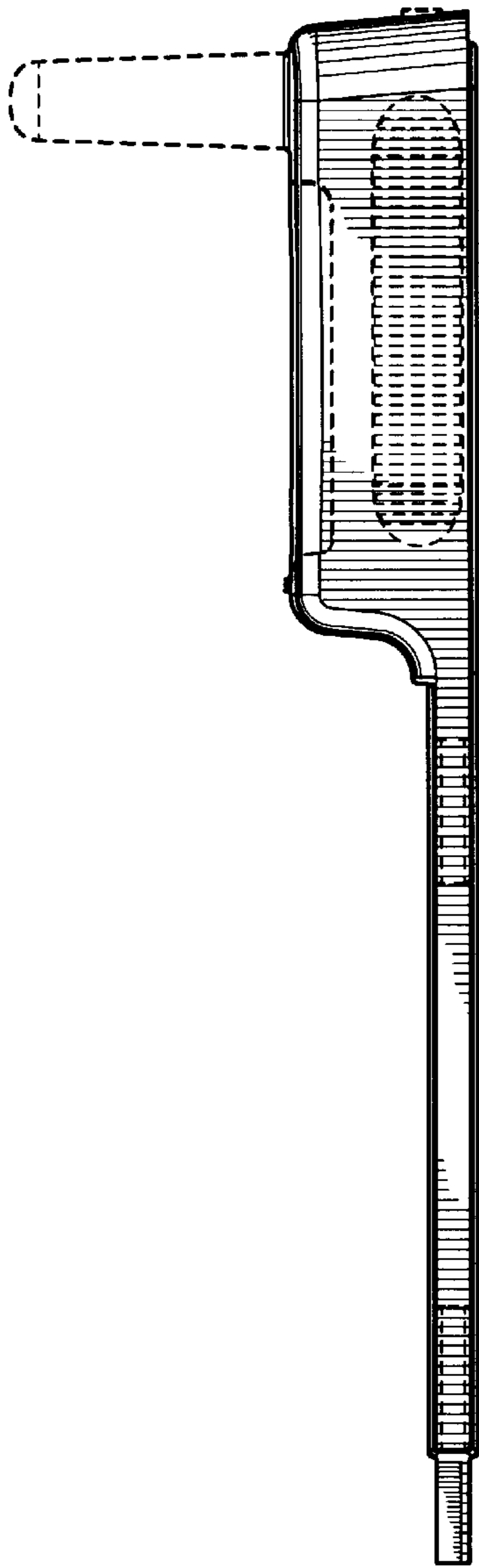
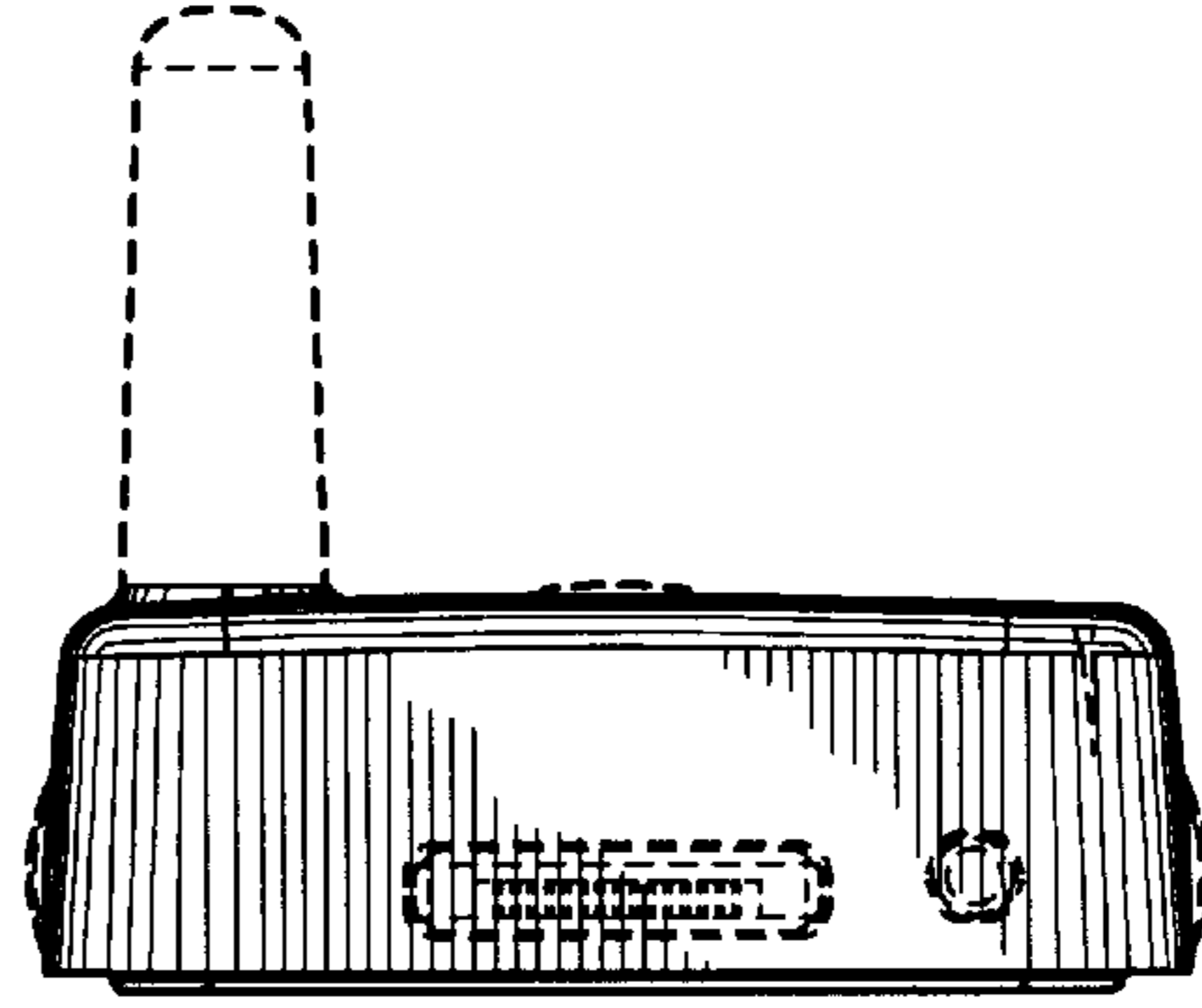


FIG. 6

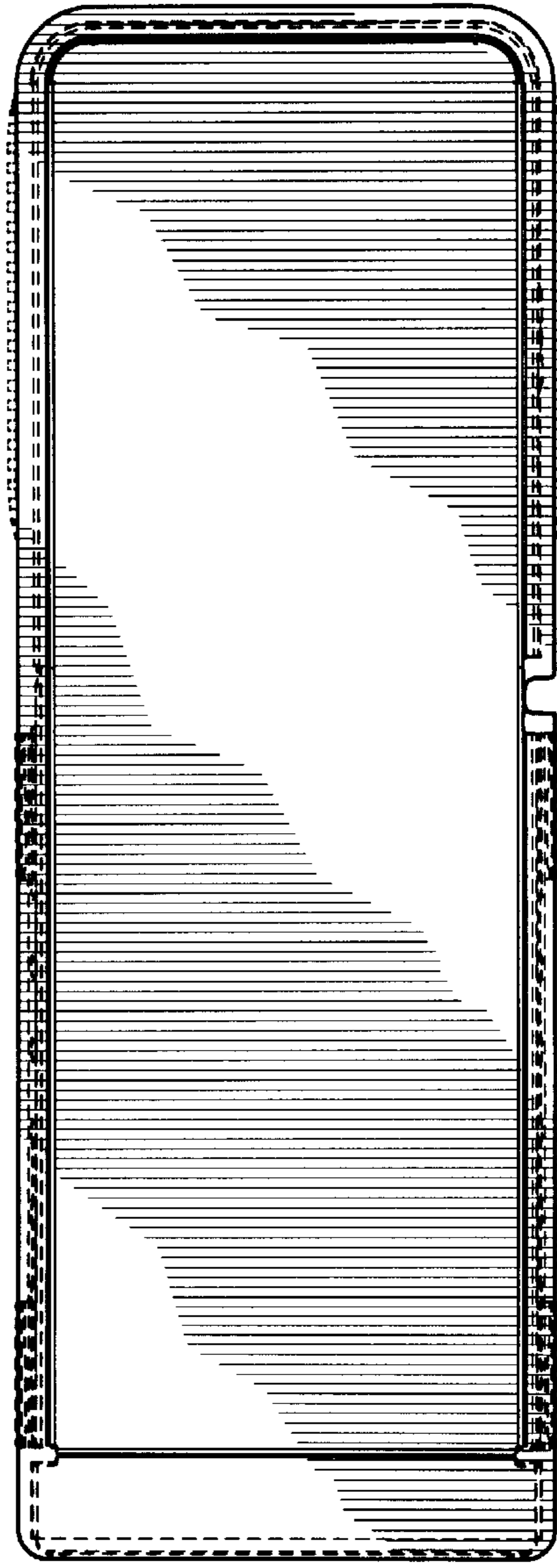


FIG. 7

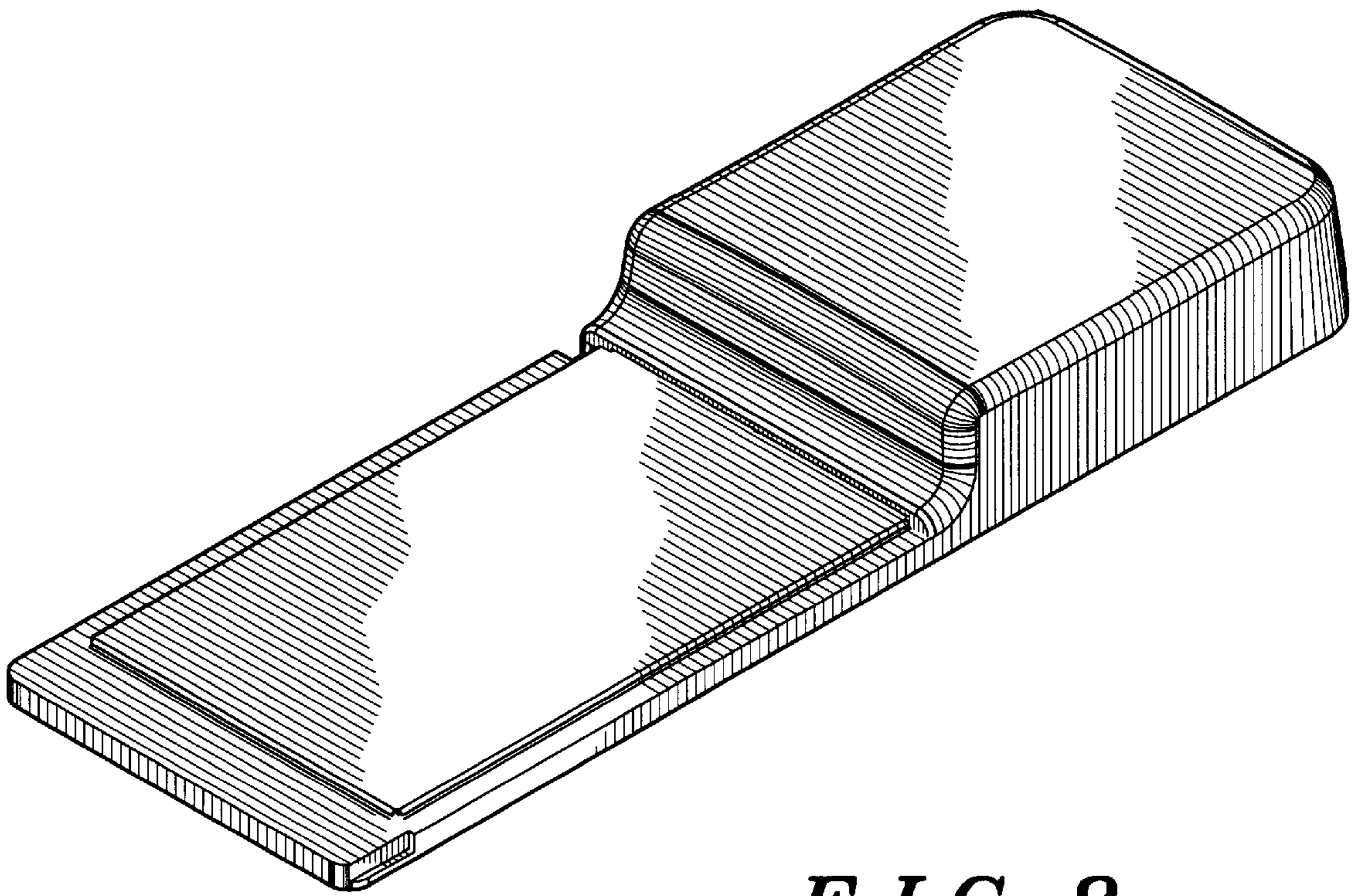


FIG. 8