



US00D411201S

United States Patent [19]
Munoz

[11] **Patent Number: Des. 411,201**
[45] **Date of Patent: ** Jun. 22, 1999**

[54] **PROTECTIVE COVER FOR CD CHANGER**

[76] Inventor: **Jaime Munoz**, 6744 Mango St.,
Altaloma, Calif. 91701

[**] Term: **14 Years**

[21] Appl. No.: **29/067,237**

[22] Filed: **Feb. 28, 1997**

[51] **LOC (6) Cl. 14-99**

[52] **U.S. Cl. D14/217; D13/184**

[58] **Field of Search D12/192, 400,
D12/415; D13/184; D14/136, 156, 157,
217, 258, 260, 265, 299; 369/75.1, 75.2,
77.1, 77.2**

[56] **References Cited**

U.S. PATENT DOCUMENTS

D. 197,462	2/1964	Rieske	D12/192
D. 225,067	11/1972	Katz	D14/257
D. 253,285	10/1979	Wagener	D12/192
D. 314,932	2/1991	Hoese	D14/258 X
D. 332,942	2/1993	Julien	D13/184
4,626,962	12/1986	Ahn et al.	D13/184 X

Primary Examiner—Ted Shooman
Assistant Examiner—Nanda Bondade

[57] **CLAIM**

The ornamental design for a protective cover for CD changer, as shown.

DESCRIPTION

FIG. 1 is a front elevational view of the protective cover for CD changer of the present invention;
FIG. 2 is a back elevational view of the protective cover for CD changer of FIG. 1;
FIG. 3 is a left side elevational view of the protective cover for CD changer of FIG. 1;
FIG. 4 is a right side elevational view of the protective cover for CD changer of FIG. 1;
FIG. 5 is a top plan view of the protective cover for CD changer of FIG. 1; and
FIG. 6 is a bottom plan view of the protective cover for CD changer of FIG. 1; and,
FIG. 7 is a top, front, left side perspective view of the protective cover for a CD changer of FIG. 1.

1 Claim, 4 Drawing Sheets

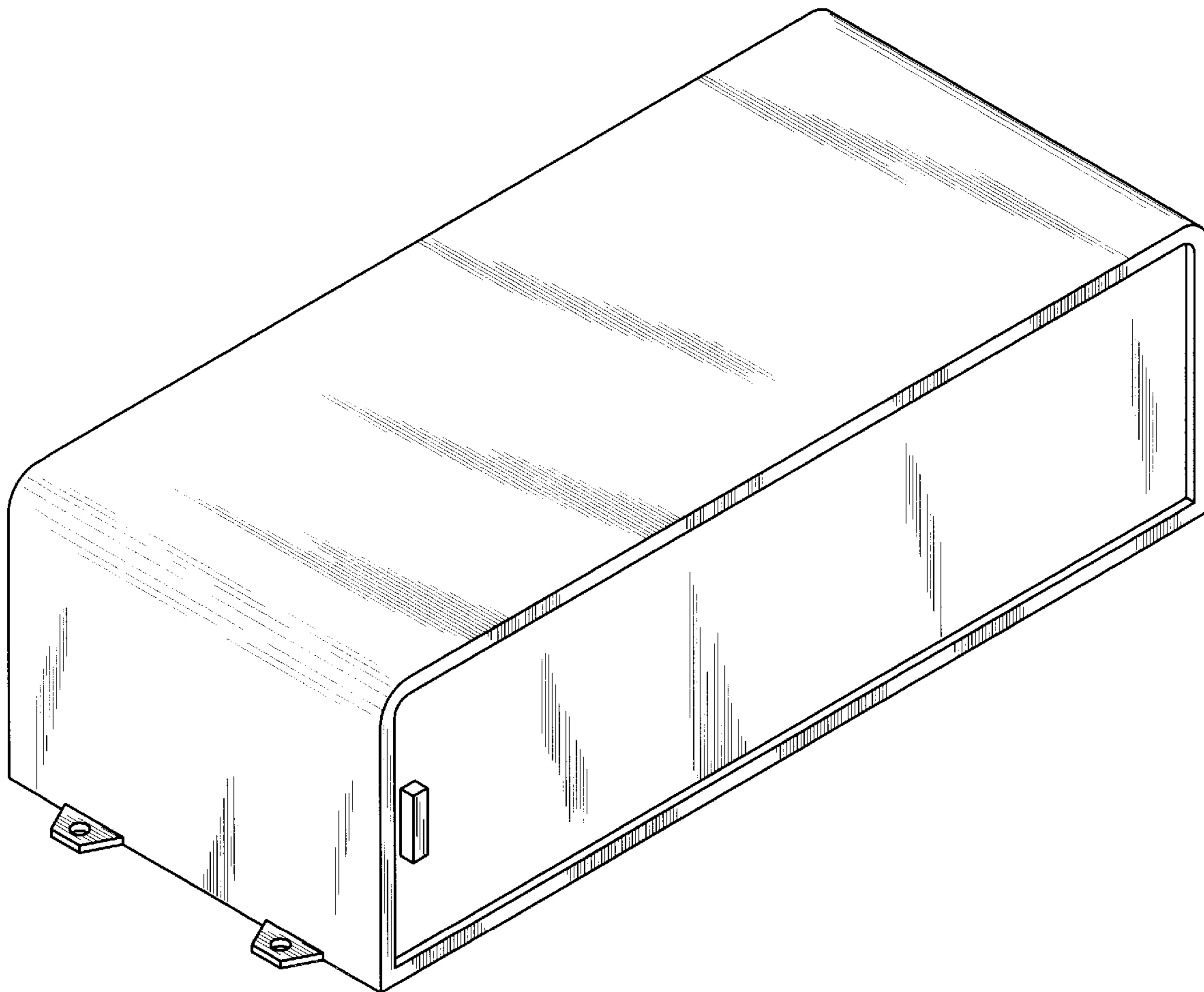


FIG. 1

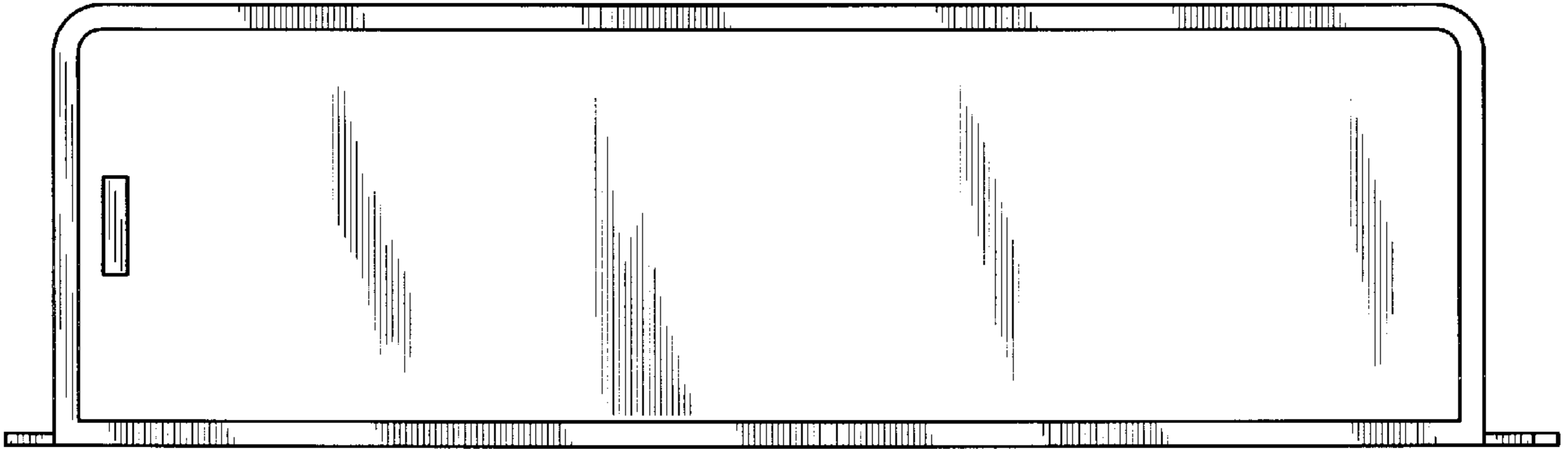


FIG. 2

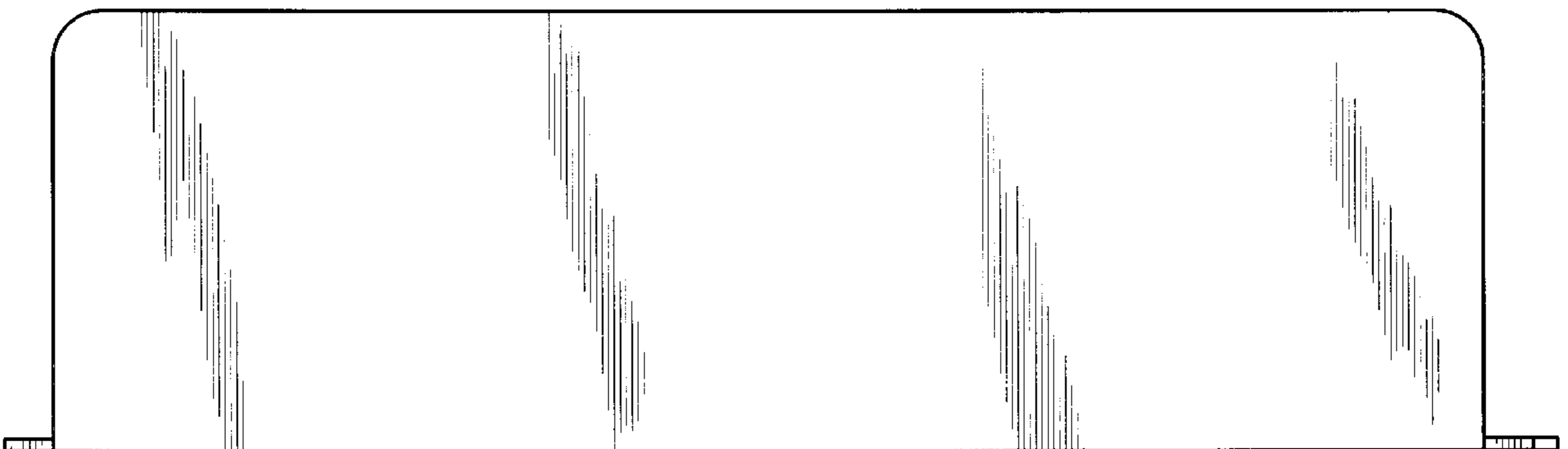


FIG. 3

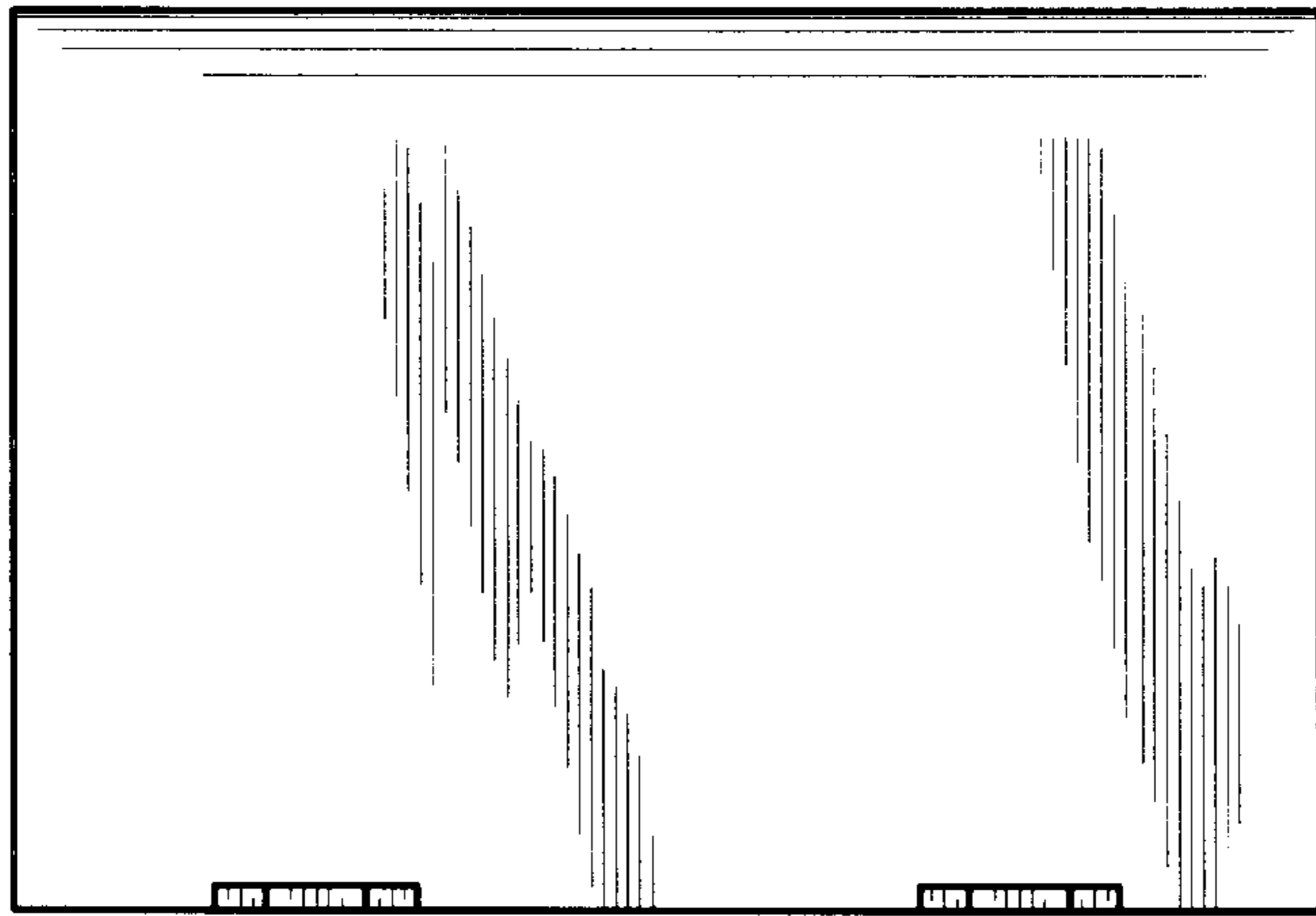


FIG. 4

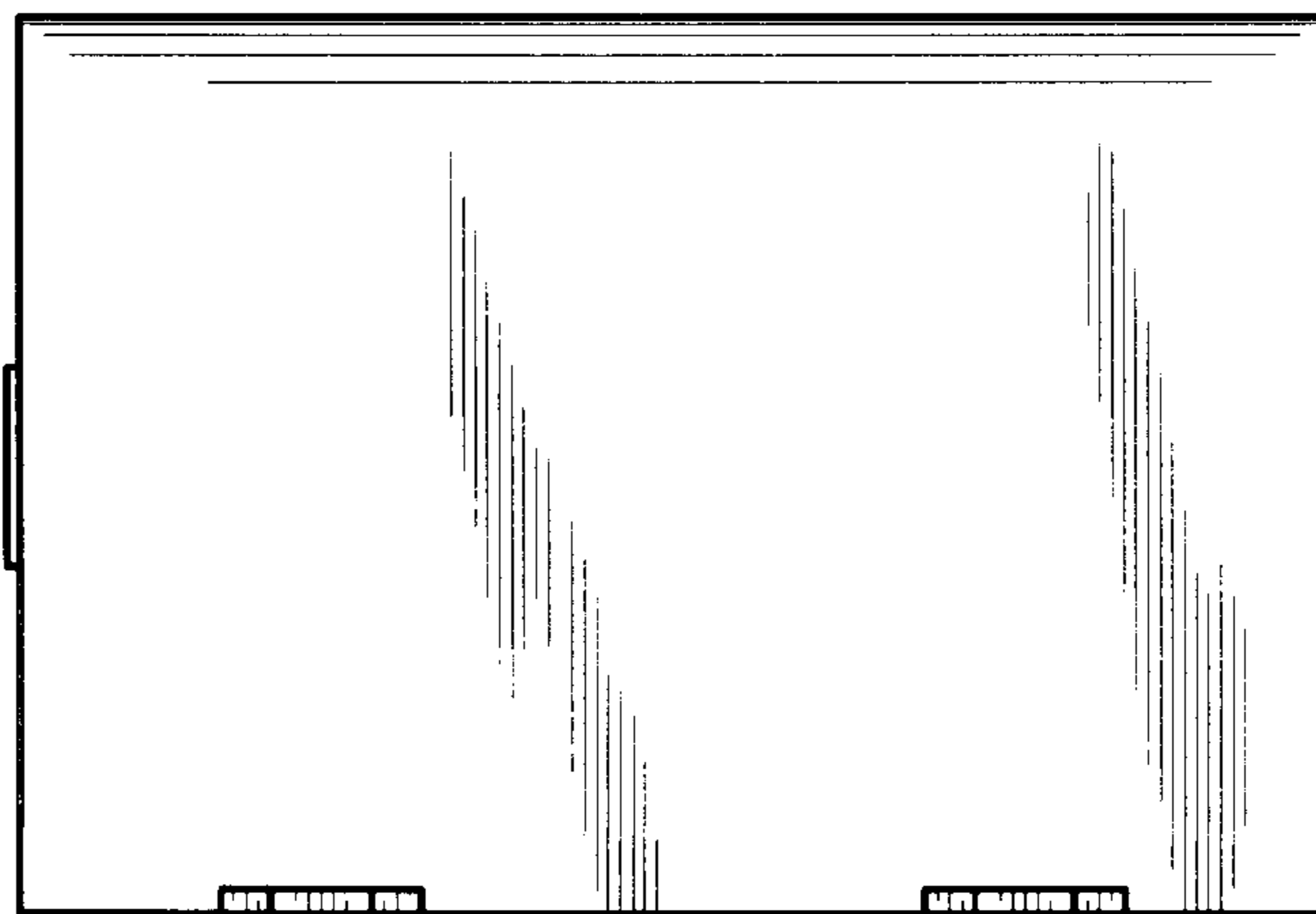


FIG. 5

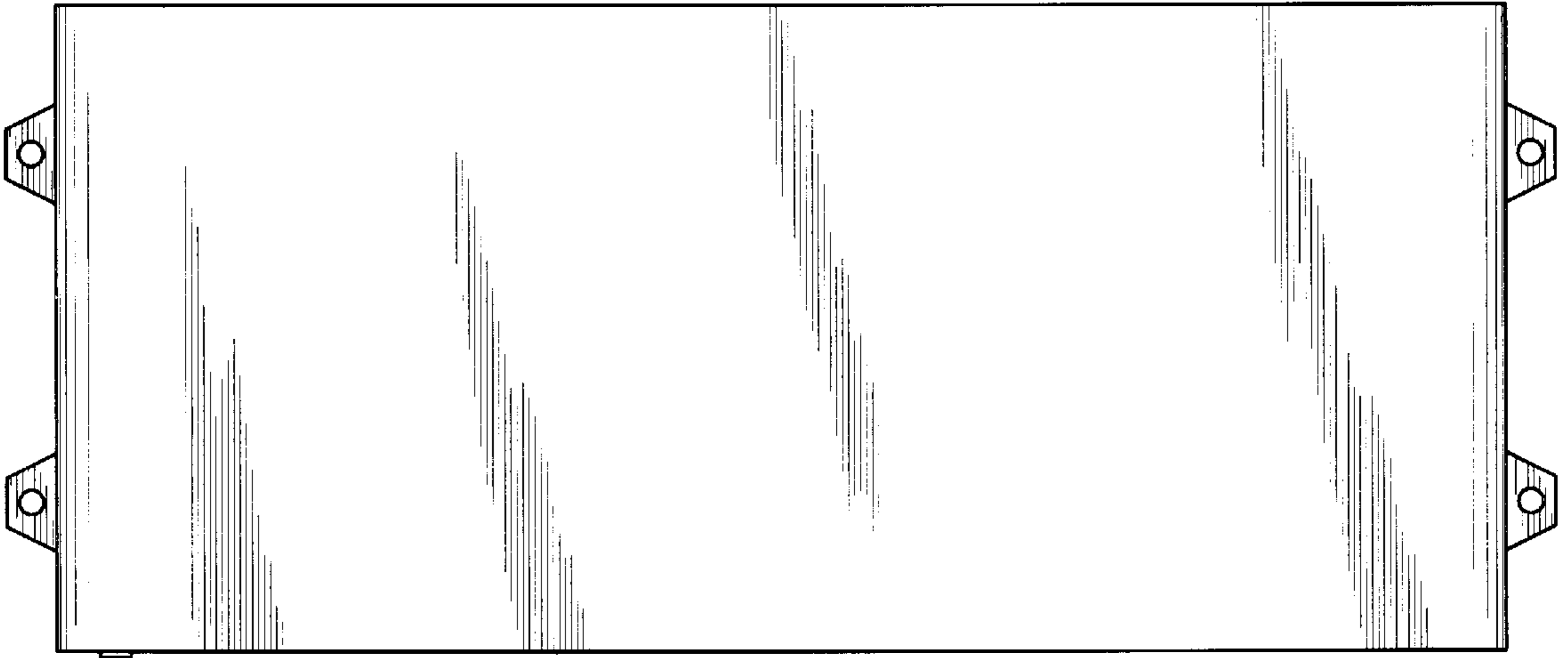
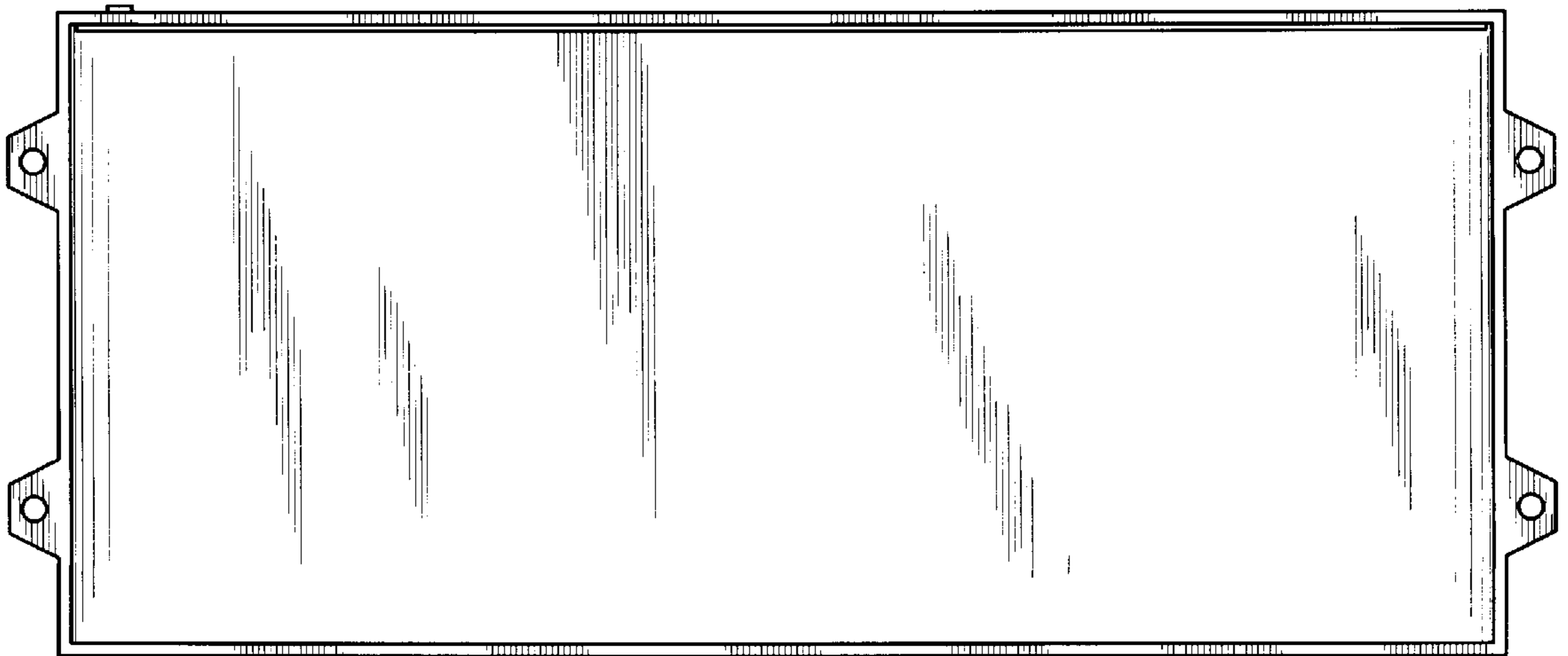


FIG. 6



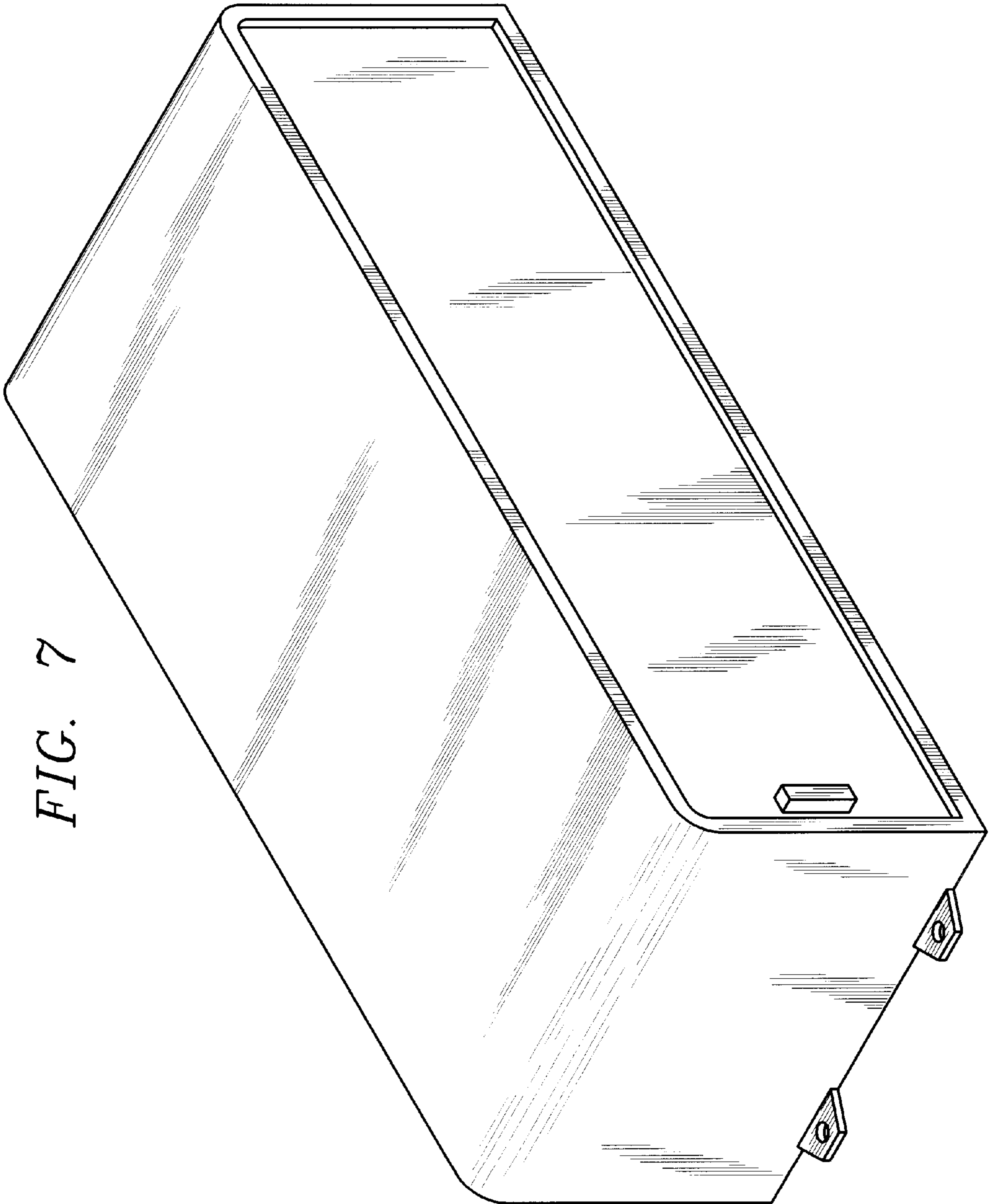


FIG. 7