



US00D411199S

United States Patent [19] Park

[11] **Patent Number: Des. 411,199**

[45] **Date of Patent: ** Jun. 22, 1999**

[54] **ORNAMENTAL GRAPHIC AUDIO
EQUALIZER**

[76] Inventor: **Seok-Kee Park**, 14261 Imperial Hwy.,
La Mirada, Calif. 90638

[**] Term: **14 Years**

[21] Appl. No.: **29/093,592**

[22] Filed: **Sep. 14, 1998**

[51] **LOC (6) Cl.** **14-03**

[52] **U.S. Cl.** **D14/188; D14/217**

[58] **Field of Search** D14/124, 164,
D14/168, 188, 193-198, 217, 299; 455/344,
347, 350, 351

[56] **References Cited**

U.S. PATENT DOCUMENTS

- D. 288,813 3/1987 Weissberg D14/198
- D. 328,747 8/1992 Ito et al. D14/188
- D. 349,719 8/1994 Ohta D14/188 X

D. 371,789 7/1996 Weissberg D14/188

Primary Examiner—Nanda Bondade
Attorney, Agent, or Firm—Beehler & Pavitt

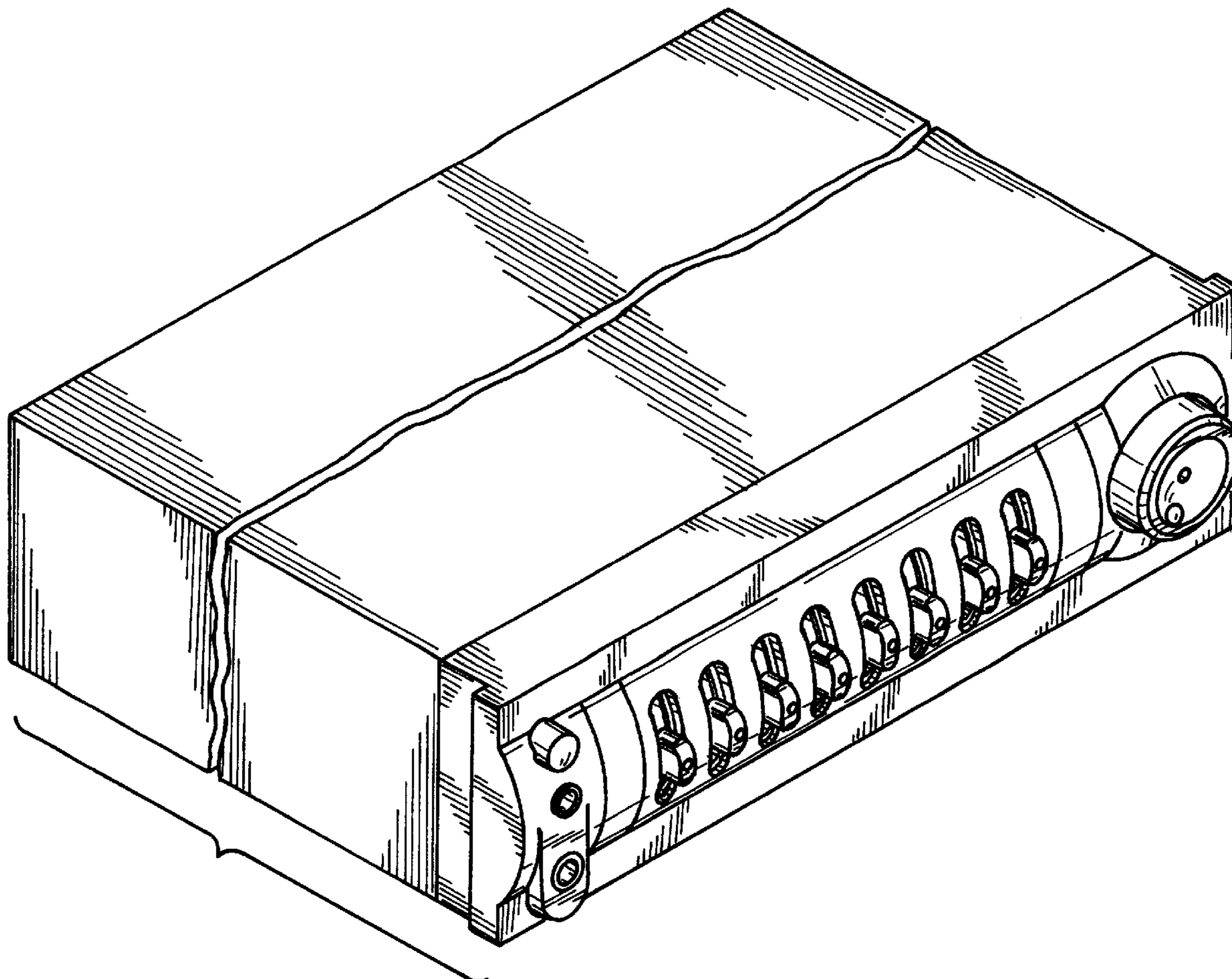
[57] **CLAIM**

The ornamental design for an ornamental graphic audio equalizer, as shown and described.

DESCRIPTION

FIG. 1 is a front, top and left perspective view of an ornamental graphic audio equalizer showing my new design; FIG. 2 is a front elevational view thereof; FIG. 3 is a left side elevational view thereof; FIG. 4 is a right side elevational view thereof; FIG. 5 is a bottom plan view thereof; and, FIG. 6 is a rear elevational view thereof. FIGS. 1 and 3-5 are shown broken away to indicate the indeterminant length of the ornamental graphic audio equalizer.

1 Claim, 2 Drawing Sheets



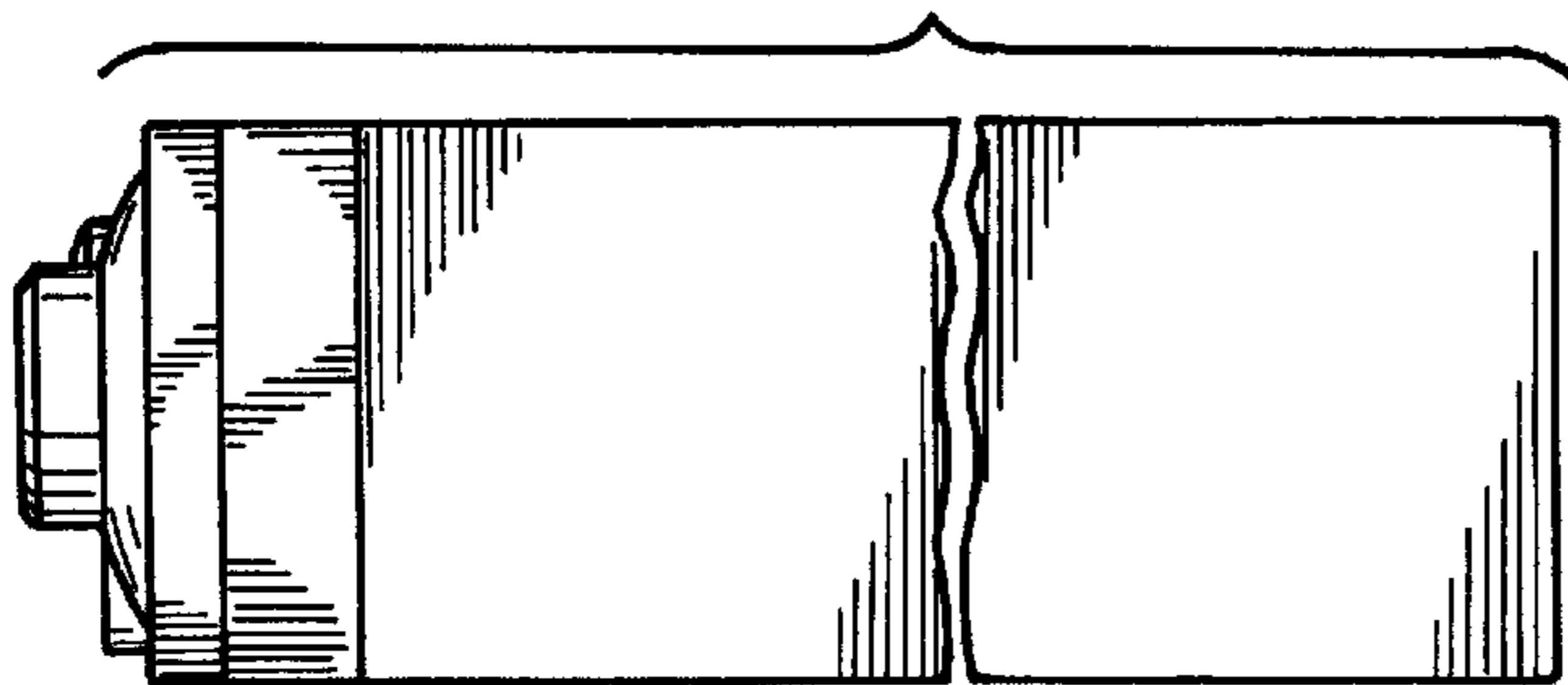
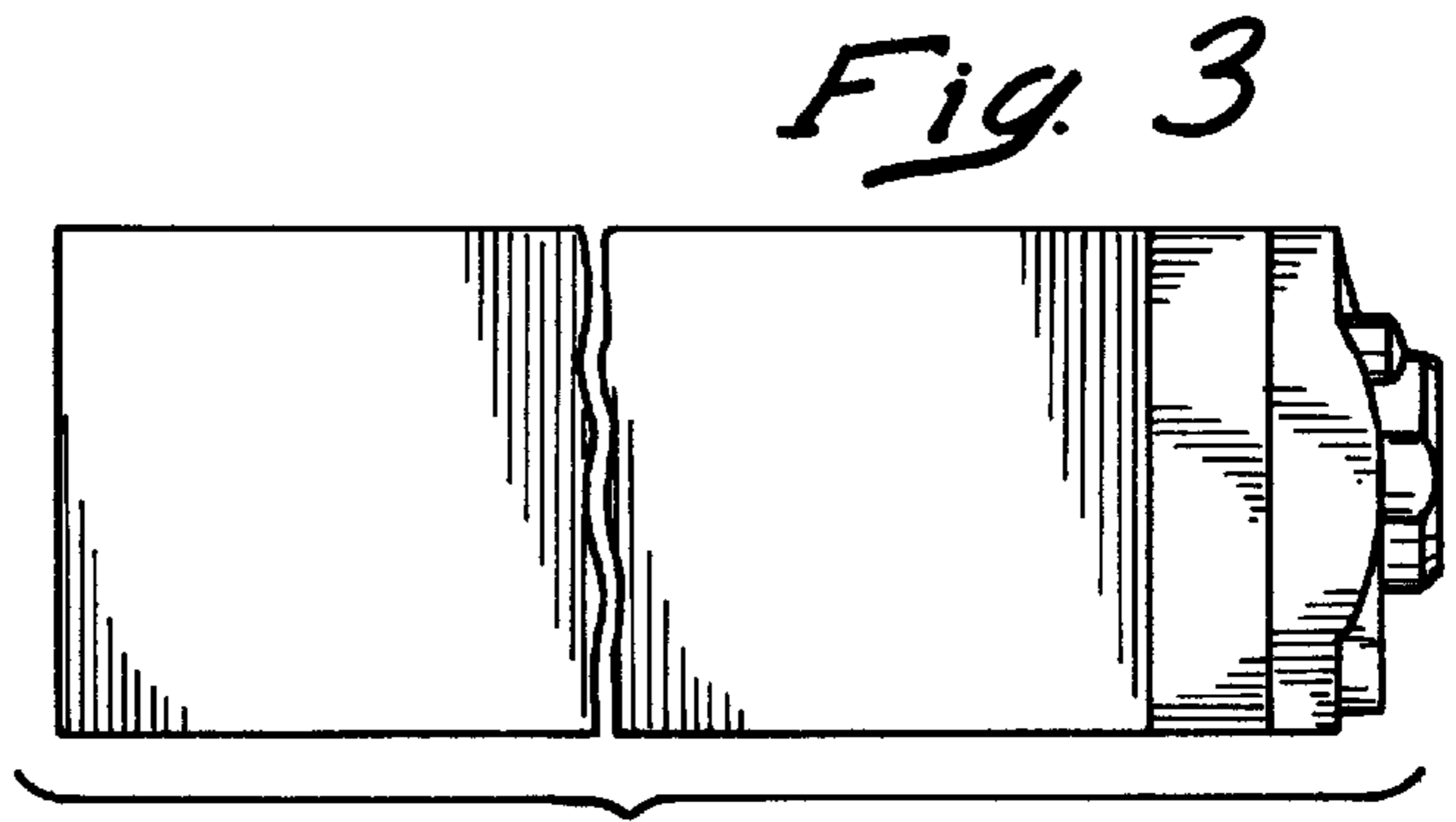
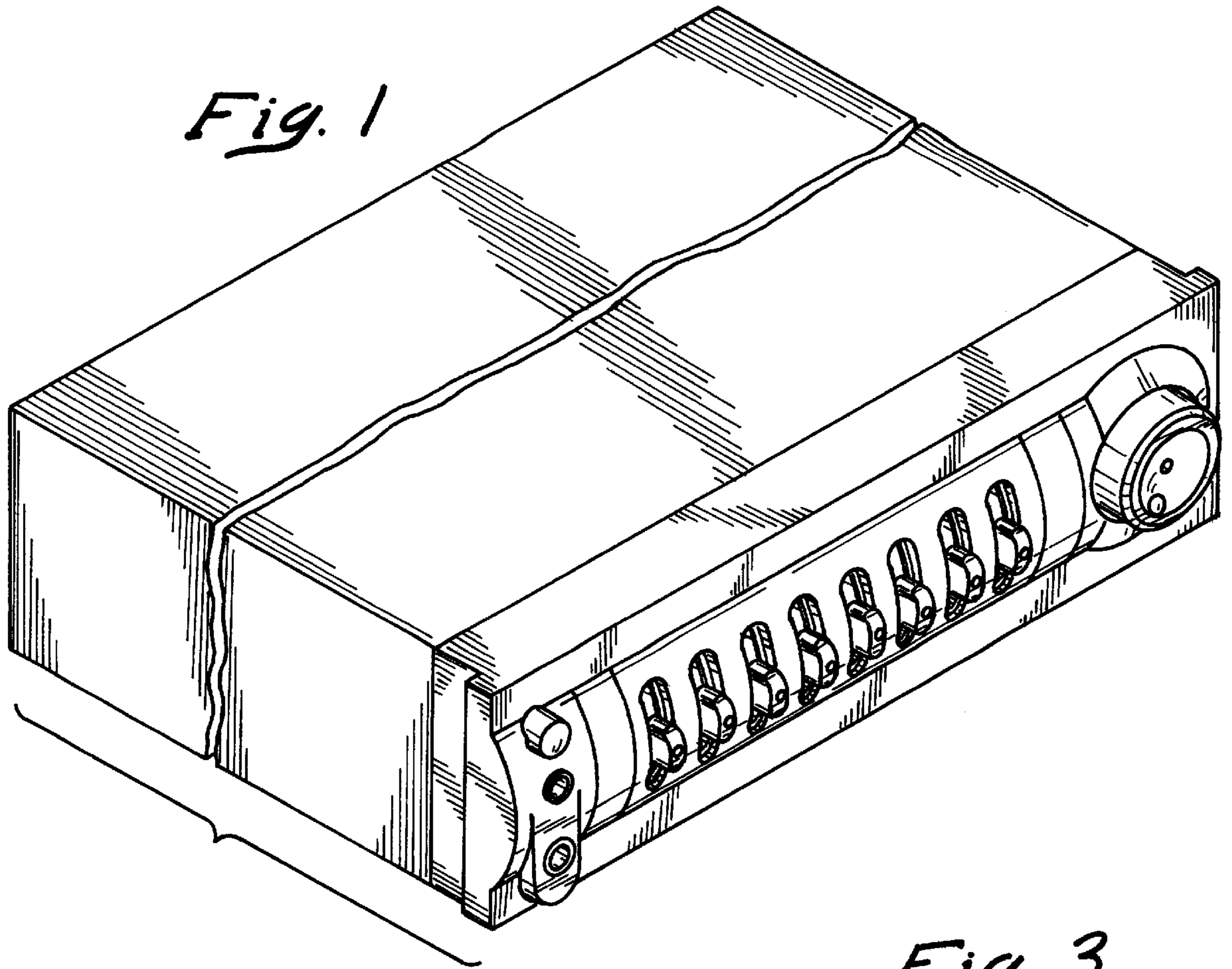


Fig. 4

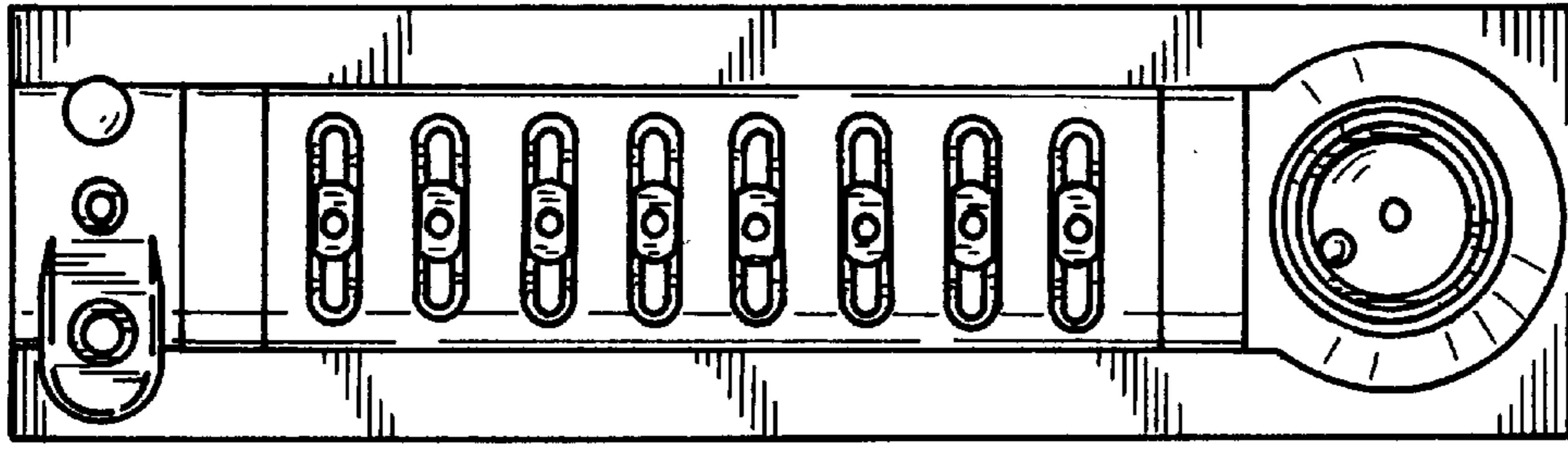


Fig. 2

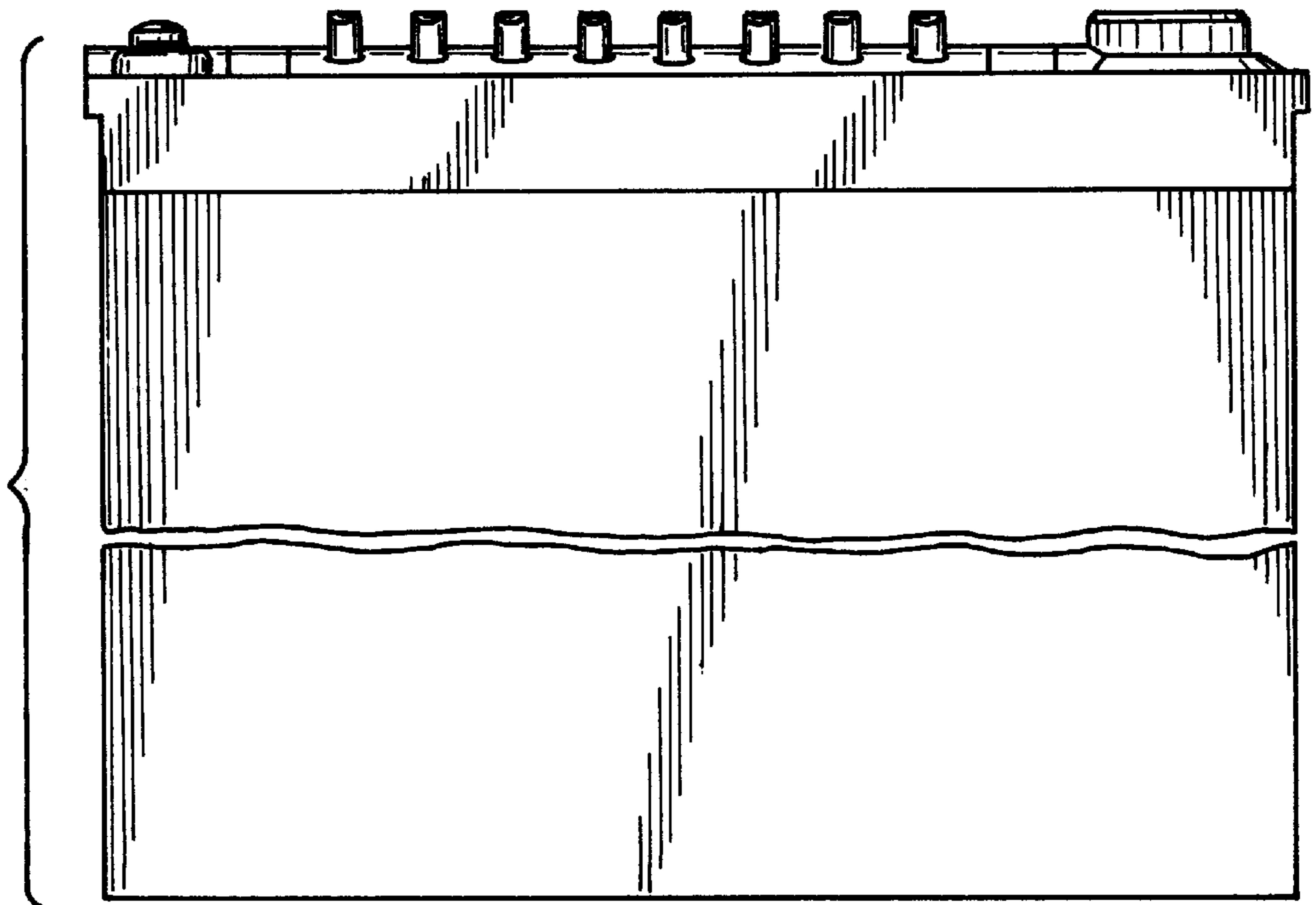


Fig. 5

Fig. 6

