



US00D411197S

**United States Patent** [19]  
**McClellan**

[11] **Patent Number: Des. 411,197**  
[45] **Date of Patent: \*\* Jun. 22, 1999**

[54] **TELEPHONE FACE PLATE WITH AN INTEGRATED COIN SLOT PROTECTOR**

[76] Inventor: **W. Thomas McClellan**, 2571 Del Lago Dr., Fort Lauderdale, Fla. 33316

[\*\*] Term: **14 Years**

[21] Appl. No.: **29/093,196**

[22] Filed: **Sep. 4, 1998**

[51] **LOC (6) Cl.** ..... **14-03**

[52] **U.S. Cl.** ..... **D14/146; D21/9**

[58] **Field of Search** ..... D14/137, 138, D14/140, 142, 147-151, 146, 240; 379/433-436, 419, 420, 428, 440, 430, 453, 143-155, 368; 194/350, 351; D20/1-9

[56] **References Cited**

**U.S. PATENT DOCUMENTS**

D. 202,562	10/1965	Wann	.....	D14/142
D. 229,836	1/1974	Wollet	.....	D14/146
D. 356,564	3/1995	DeArkland	.....	D14/146
D. 357,914	5/1995	DeArkland	.....	D14/146
D. 389,521	1/1998	McClellan	.....	D20/9
5,059,057	10/1991	Anello et al.	.....	379/145
5,425,088	6/1995	DeArkland	.....	379/440 X
5,488,656	1/1996	DeArkland	.....	379/155
5,524,143	6/1996	Turk et al.	.....	379/150

*Primary Examiner*—Jeffrey Asch  
*Attorney, Agent, or Firm*—Herbert L. Lerner; Laurence A. Greenberg

[57] **CLAIM**

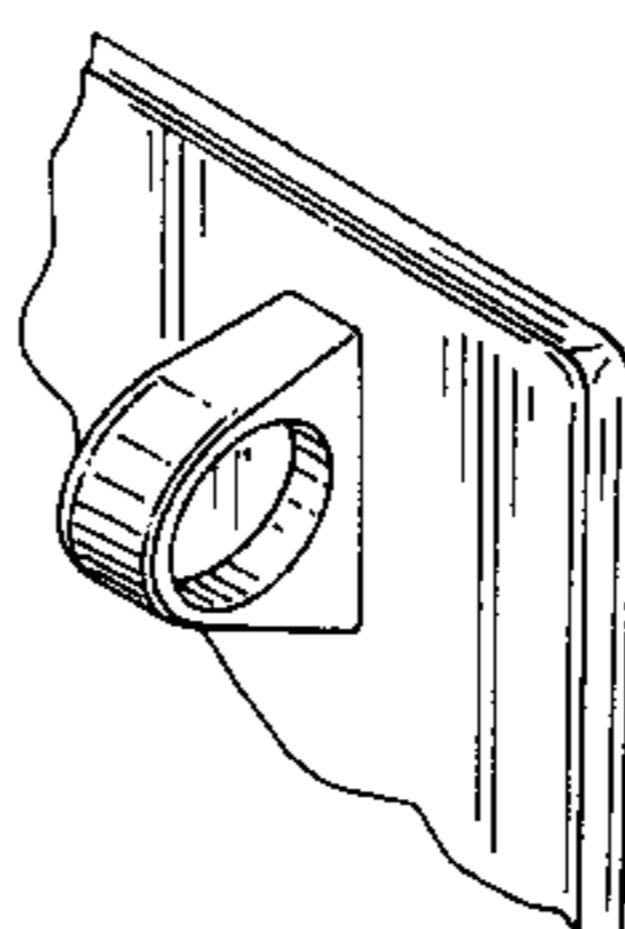
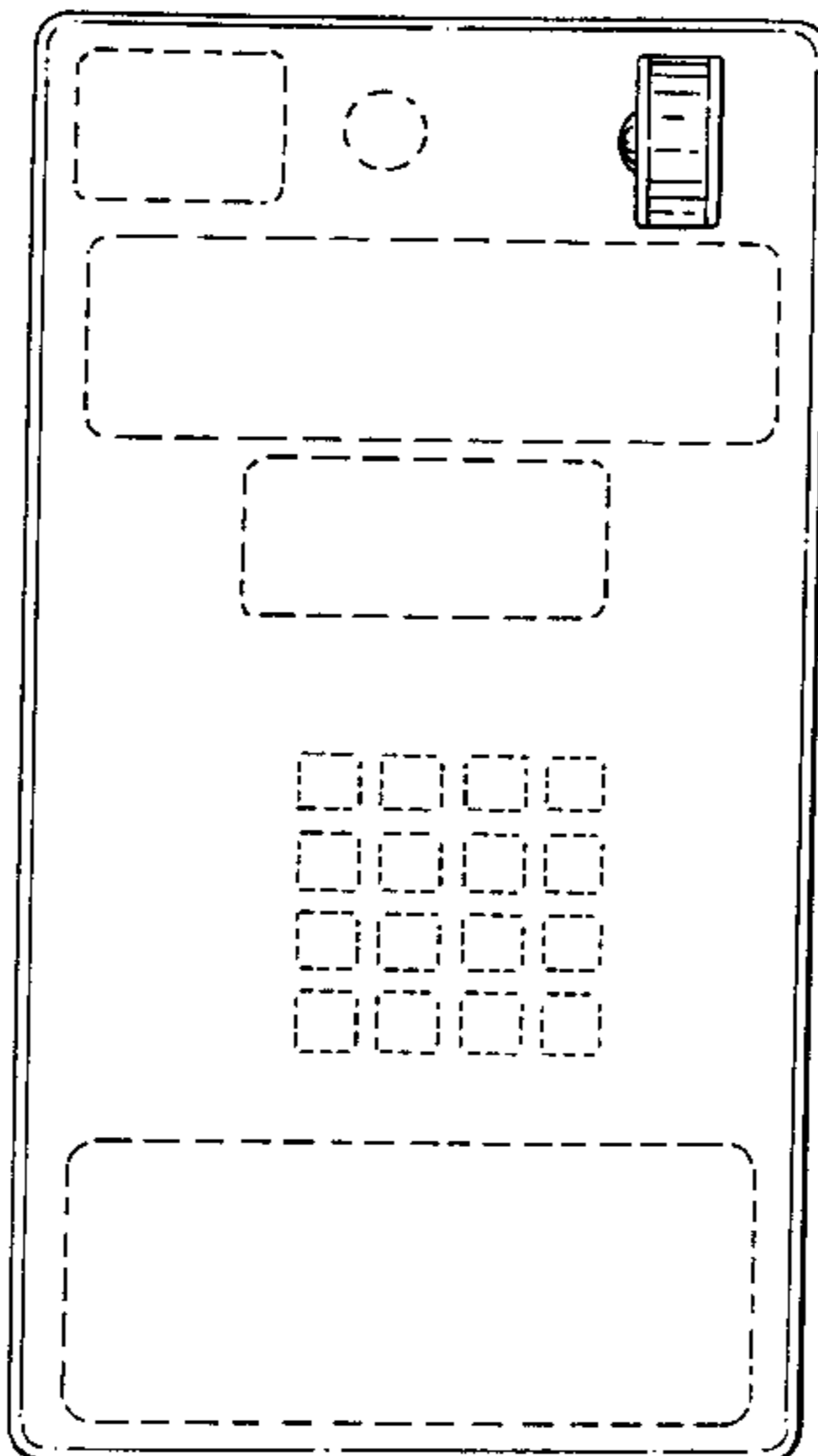
The ornamental design for a telephone face plate with an integrated coin slot protector, as shown and described.

**DESCRIPTION**

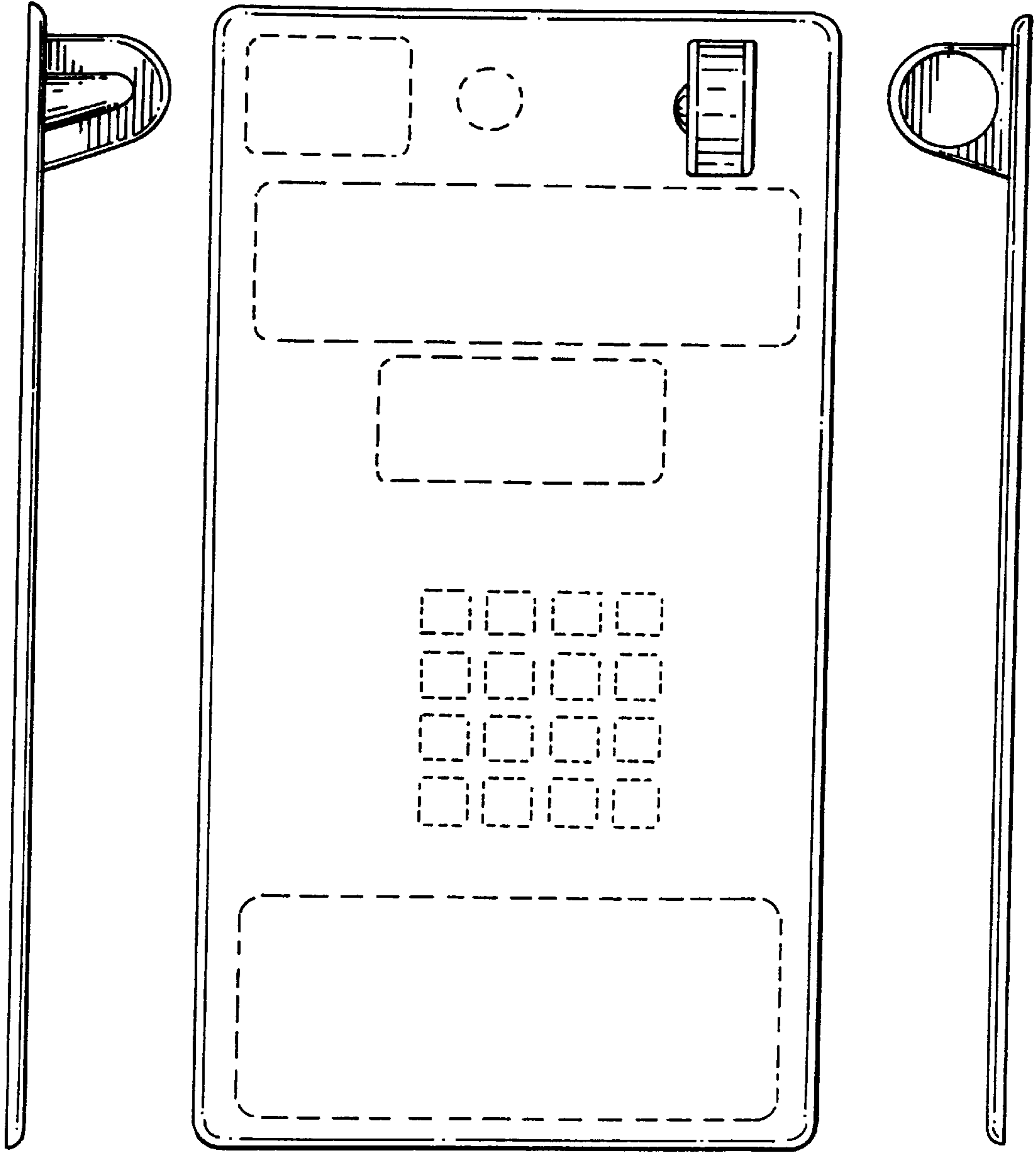
FIG. 1 is a front elevational view showing my new design of a telephone face plate having an integrated coin slot protector with a coin entry on the right side, wherein the subject matter of a telephone drawn in dashed lines is environmental structure that forms no part of the invention; FIG. 2 is a left, side-elevational view thereof; FIG. 3 is a right, side-elevational view thereof; FIG. 4 is a top plan view thereof; FIG. 5 is a fragmentary, perspective view detailing the coin entry on the right side; FIG. 6 is a front elevational view of a second embodiment of the telephone face plate having the coin entry on the left side, wherein the subject matter of a telephone drawn in dashed lines is environmental structure that forms no part of the invention; FIG. 7 is a left, side-elevational view thereof; FIG. 8 is a right, side-elevational view thereof; FIG. 9 is a top plan view thereof; FIG. 10 is a fragmentary, perspective view detailing the coin entry on the left side; and, FIG. 11 is a rear elevational view thereof.

The bottom plan views for each embodiment are mirror images of the top plan views in FIGS. 4 and 9 respectively. The rear view, FIG. 11, is the same for both embodiments.

**1 Claim, 4 Drawing Sheets**

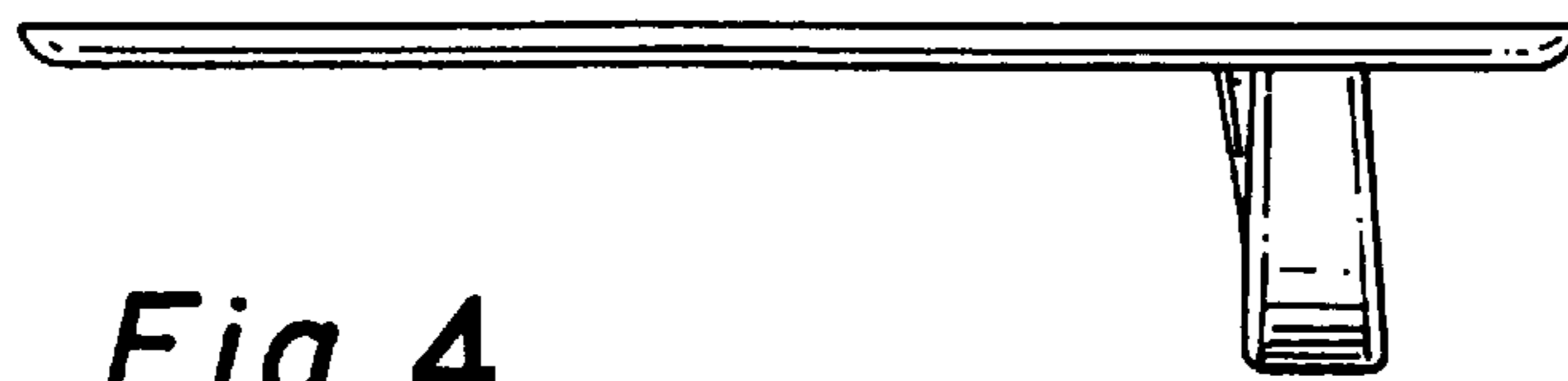


*Fig. 1*



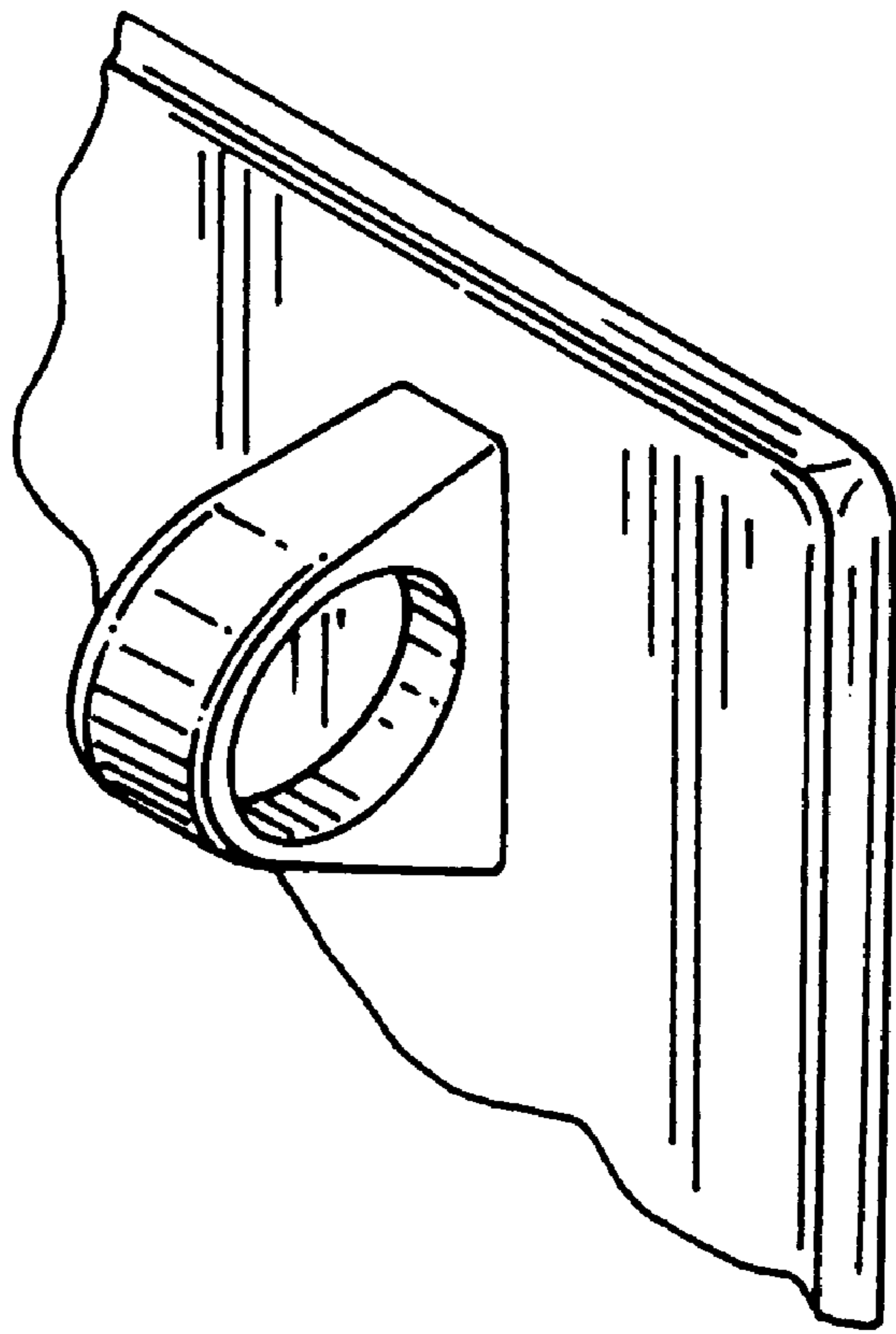
*Fig. 2*

*Fig. 3*

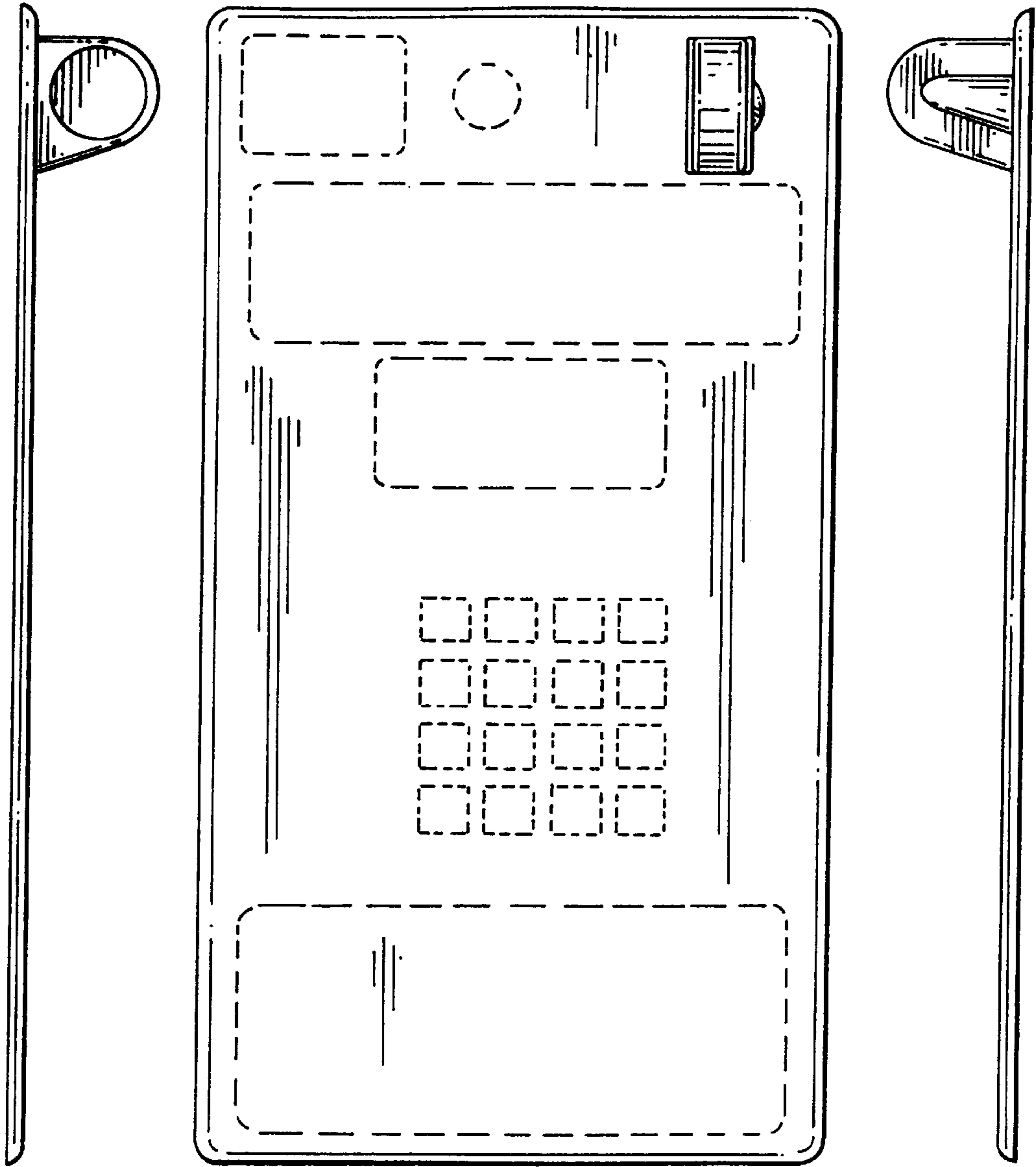


*Fig. 4*

*Fig. 5*

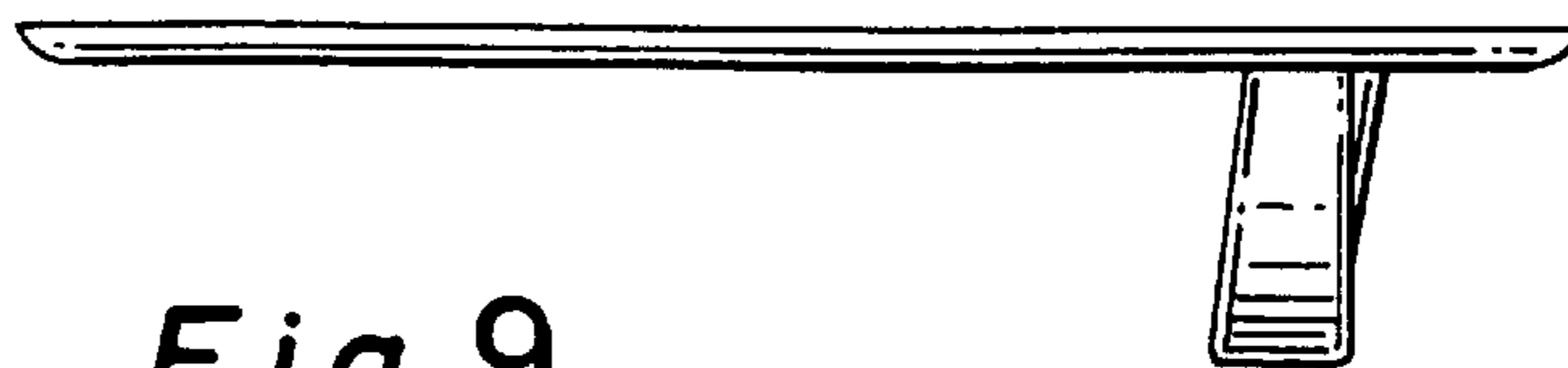


*Fig. 6*



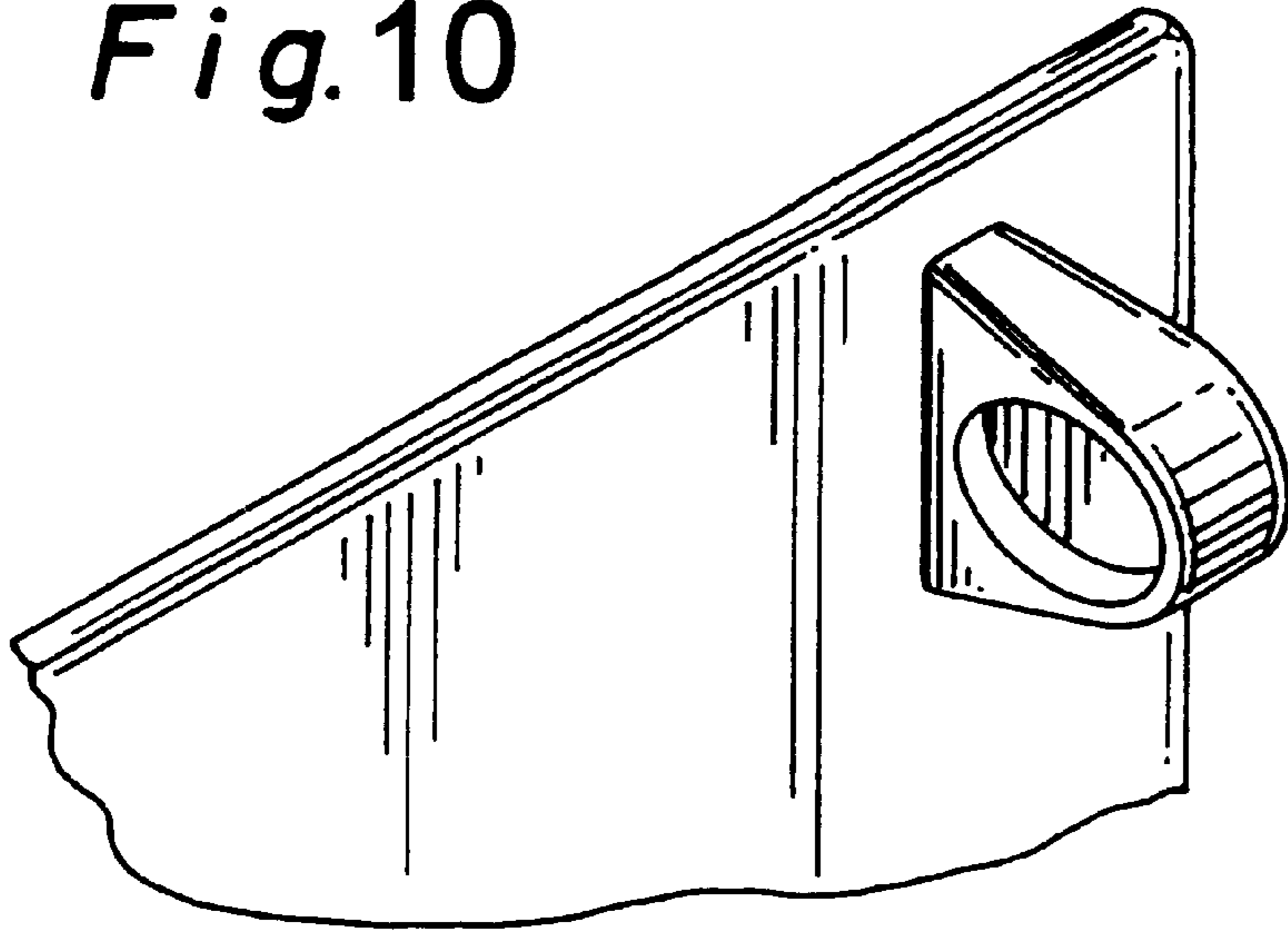
*Fig. 7*

*Fig. 8*



*Fig. 9*

*Fig. 10*



*Fig. 11*

