



US00D411195S

United States Patent [19]
Nakamura

[11] **Patent Number: Des. 411,195**
[45] **Date of Patent: ** Jun. 22, 1999**

[54] **VIDEO TAPE RECORDER**

OTHER PUBLICATIONS

[75] Inventor: **Toshihiro Nakamura**, Tokyo, Japan

Catalog No. 86, Sony, p. 19 (Jul. 1997).

[73] Assignee: **Sony Corporation**, Tokyo, Japan

Primary Examiner—Ted Shooman
Assistant Examiner—Richelle Shelton
Attorney, Agent, or Firm—Foley & Lardner

[**] Term: **14 Years**

[21] Appl. No.: **29/075,599**

[57] **CLAIM**

[22] Filed: **Sep. 3, 1997**

The ornamental design for a video tape recorder, as shown and described.

[51] **LOC (6) Cl.** **14-01**

DESCRIPTION

[52] **U.S. Cl.** **D14/135**

[58] **Field of Search** D14/113, 124,
D14/126, 129, 132, 136, 156, 160, 239;
D13/184; 386/46; 369/75.1

FIG. 1 is a perspective view of a video tape recorder showing my new design;
FIG. 2 is a top plan view thereof;
FIG. 3 is a left side elevational view thereof;
FIG. 4 is a front elevational view thereof;
FIG. 5 is a bottom plan view thereof;
FIG. 6 is a right side elevational view thereof; and,
FIG. 7 is a rear elevational view thereof.

[56] **References Cited**

U.S. PATENT DOCUMENTS

D. 337,327	7/1993	Suzuki	D14/136
D. 342,501	12/1993	Saeki et al.	D14/126
D. 371,357	7/1996	Nakamura	D14/136
D. 377,648	1/1997	Young	D14/136

1 Claim, 3 Drawing Sheets

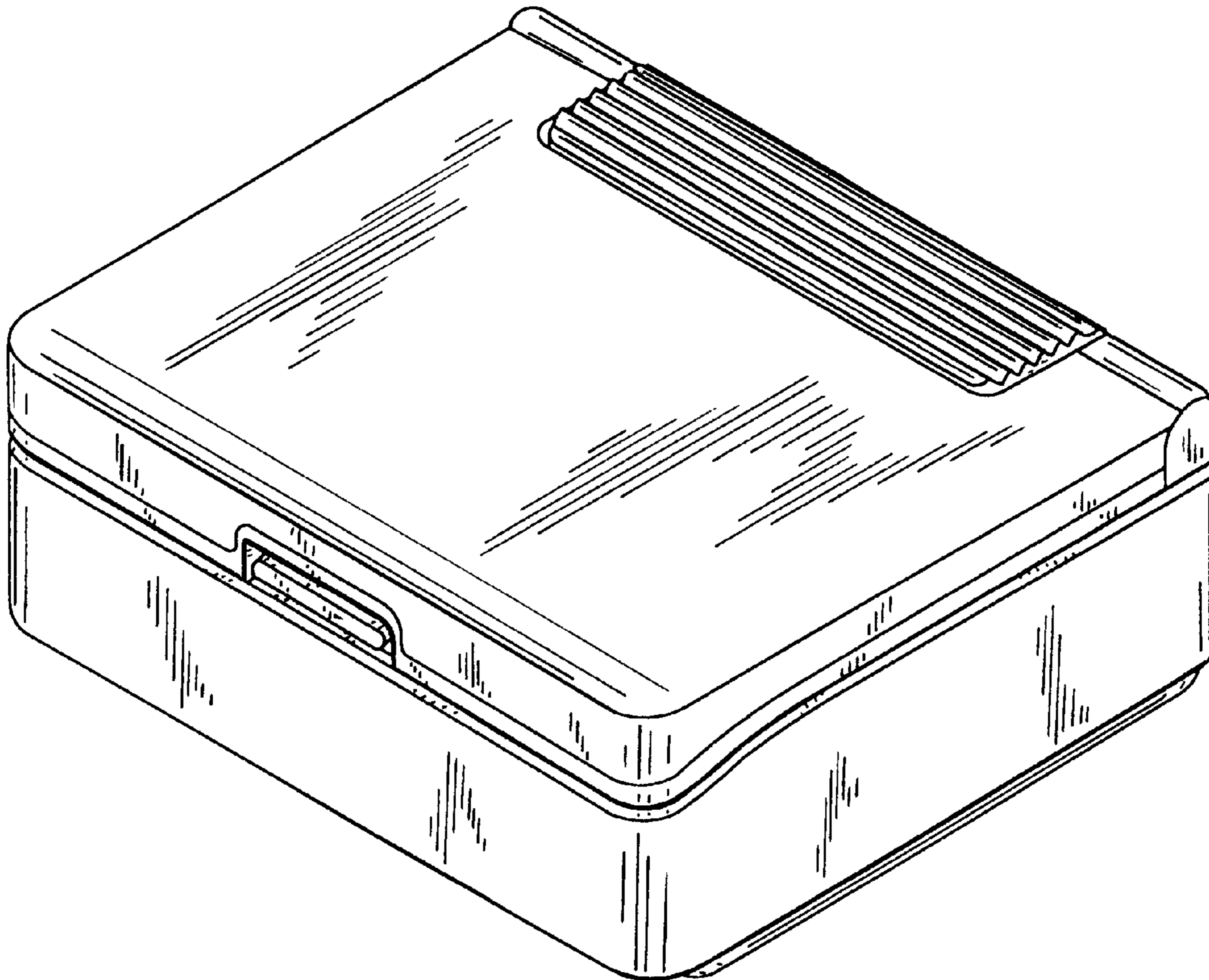


FIG. 1

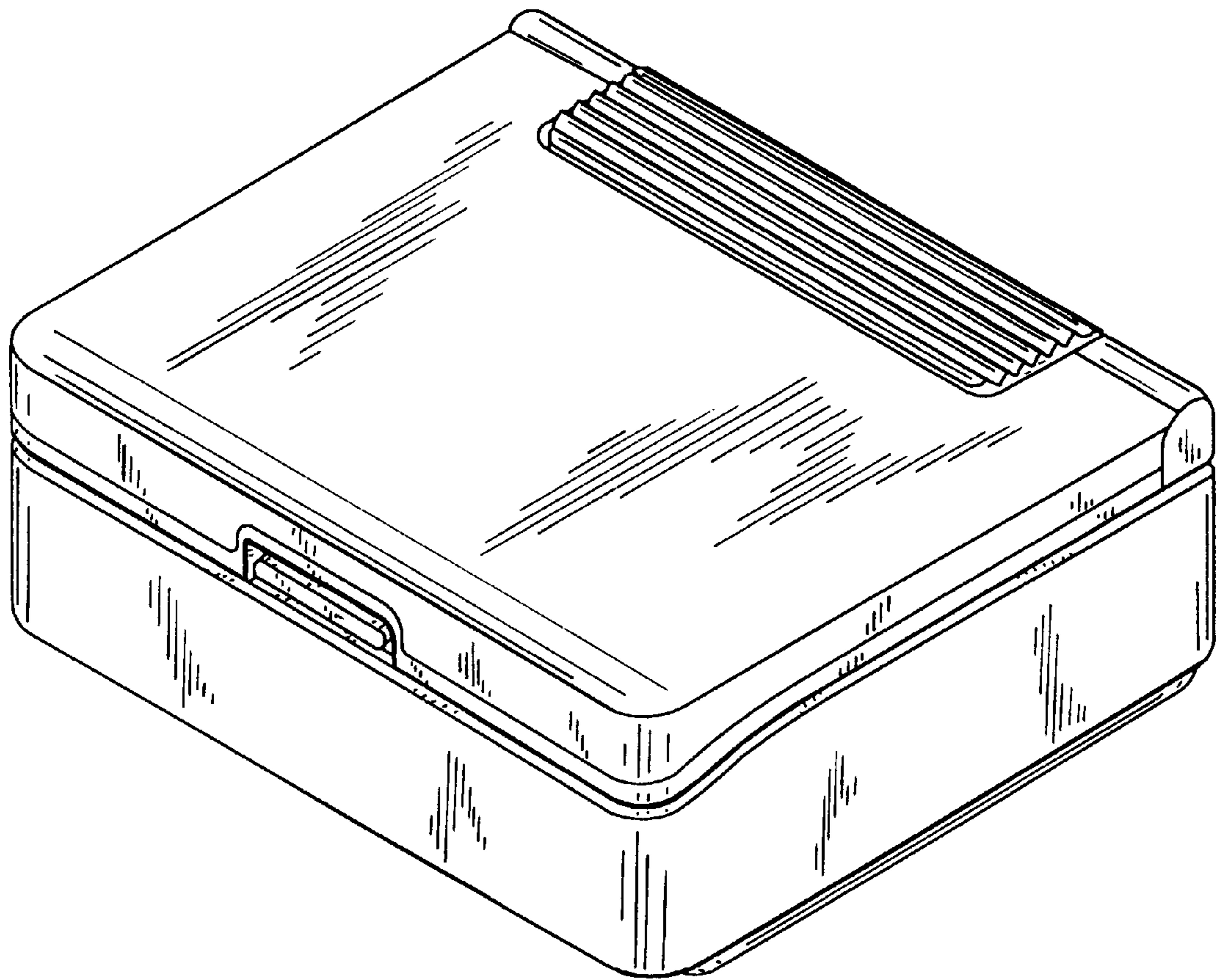


FIG. 2

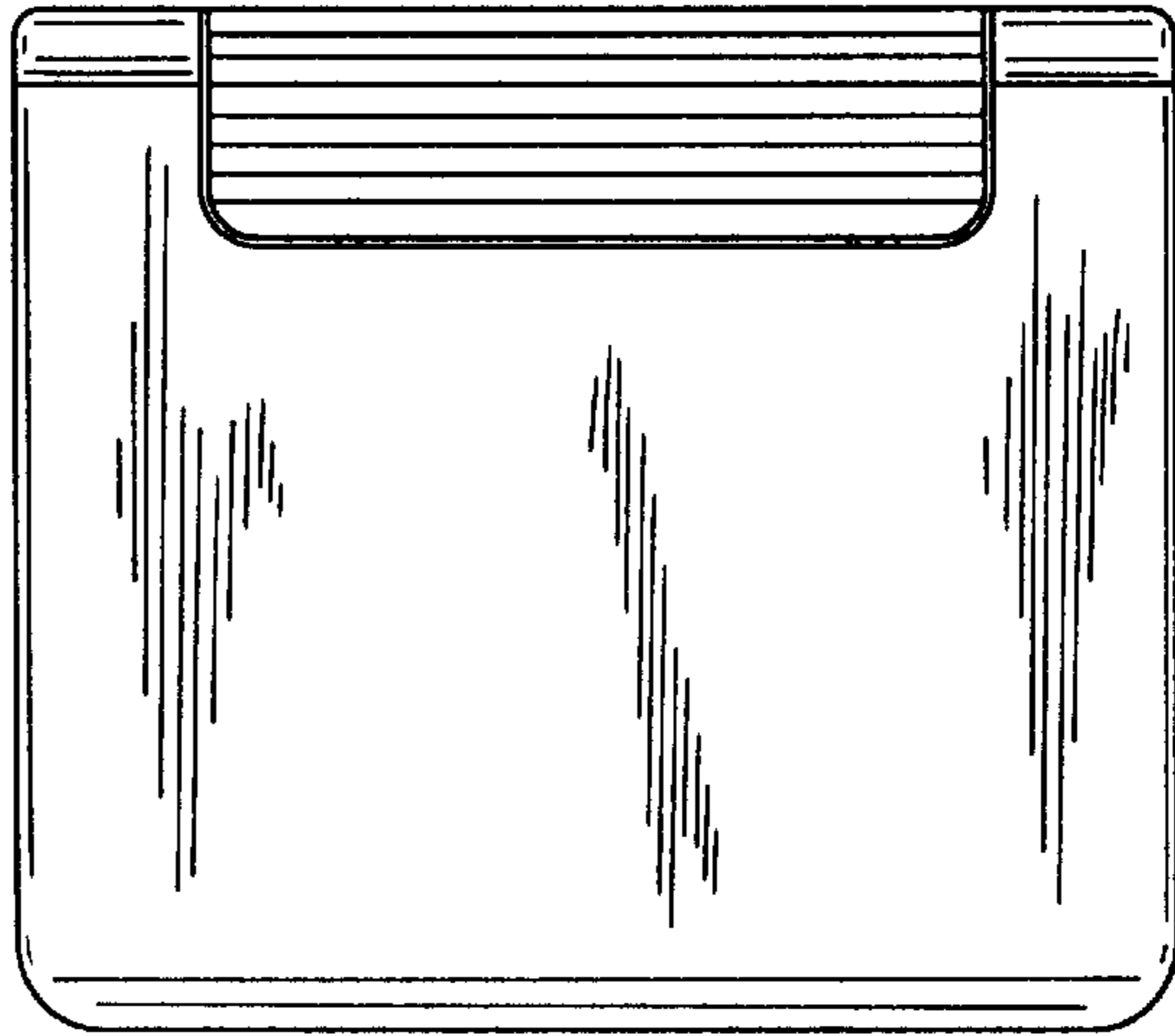


FIG. 3

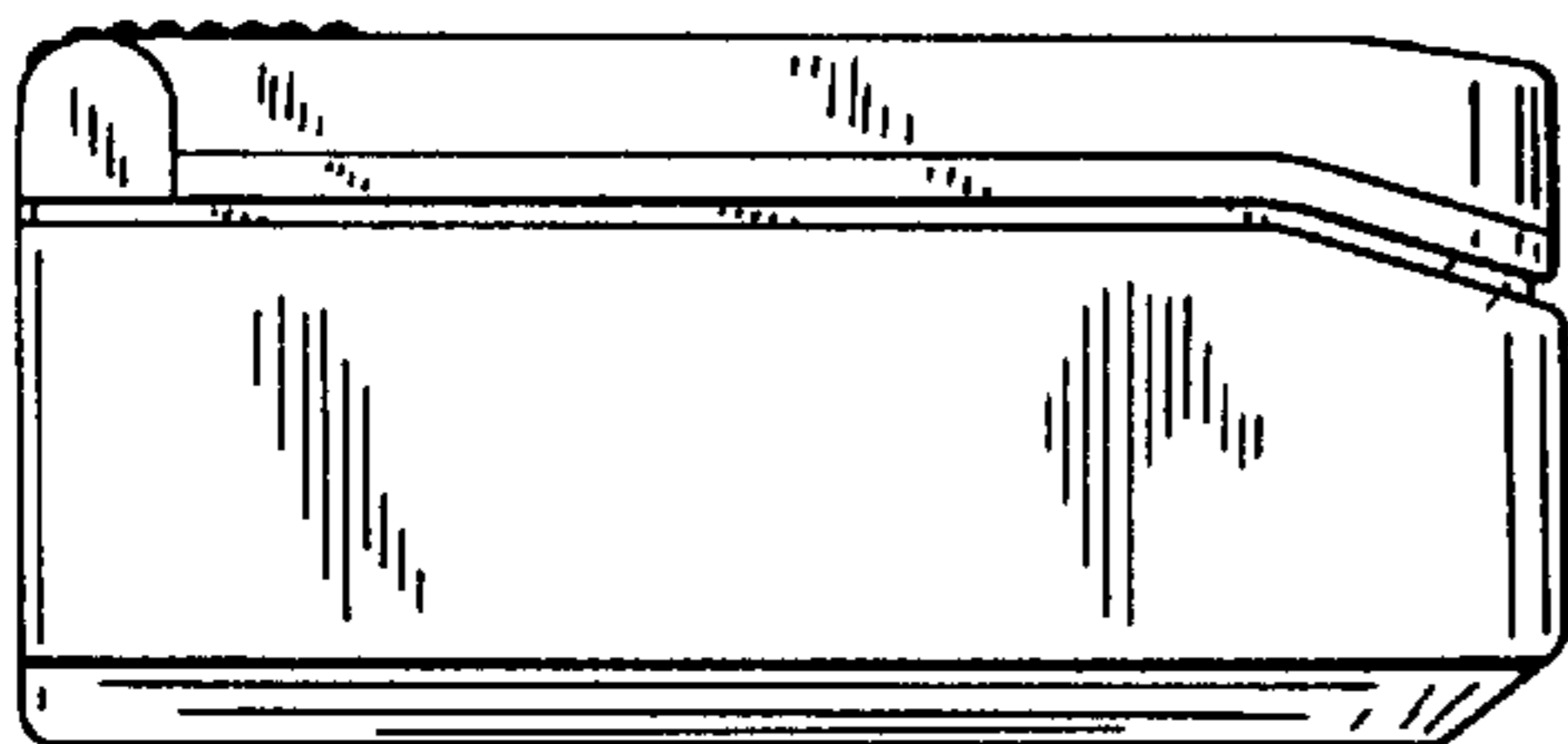


FIG. 4

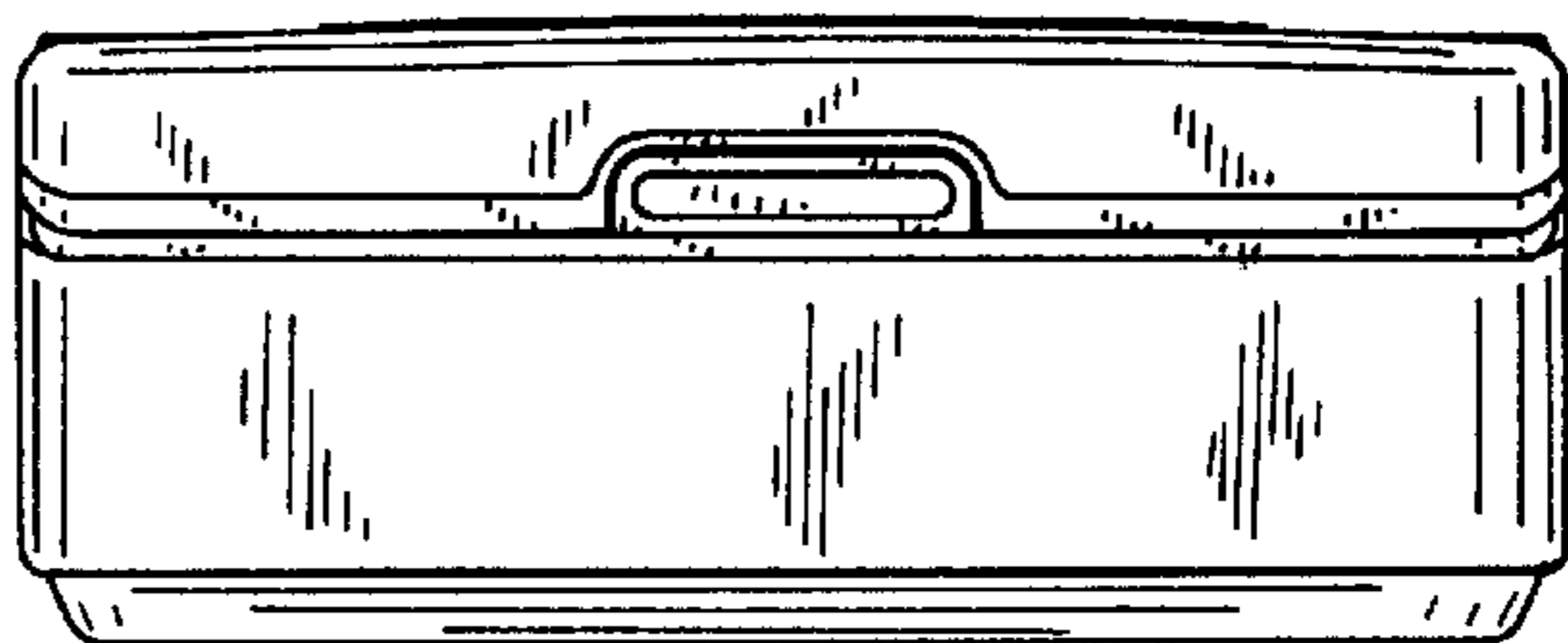


FIG. 5

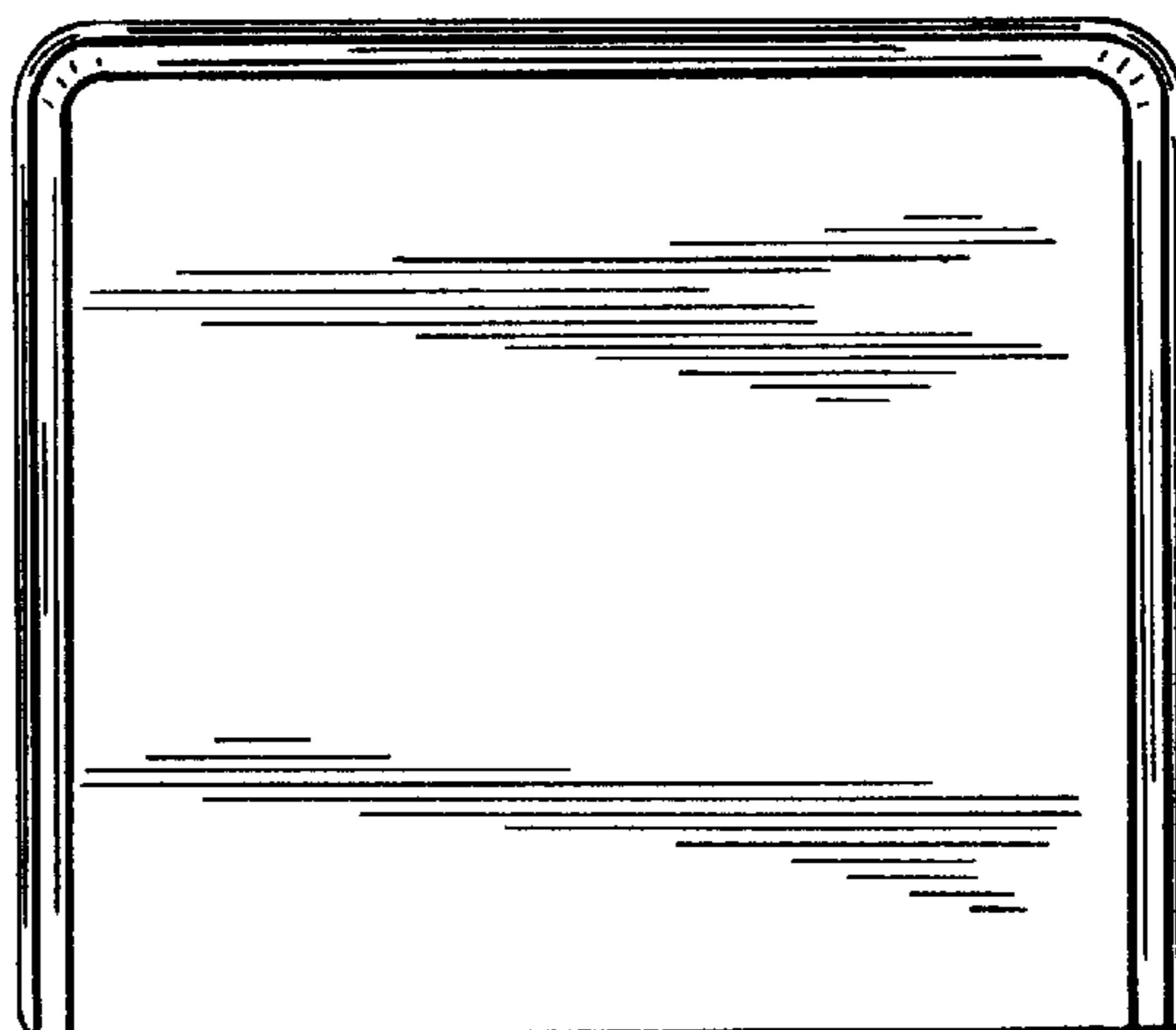


FIG. 6

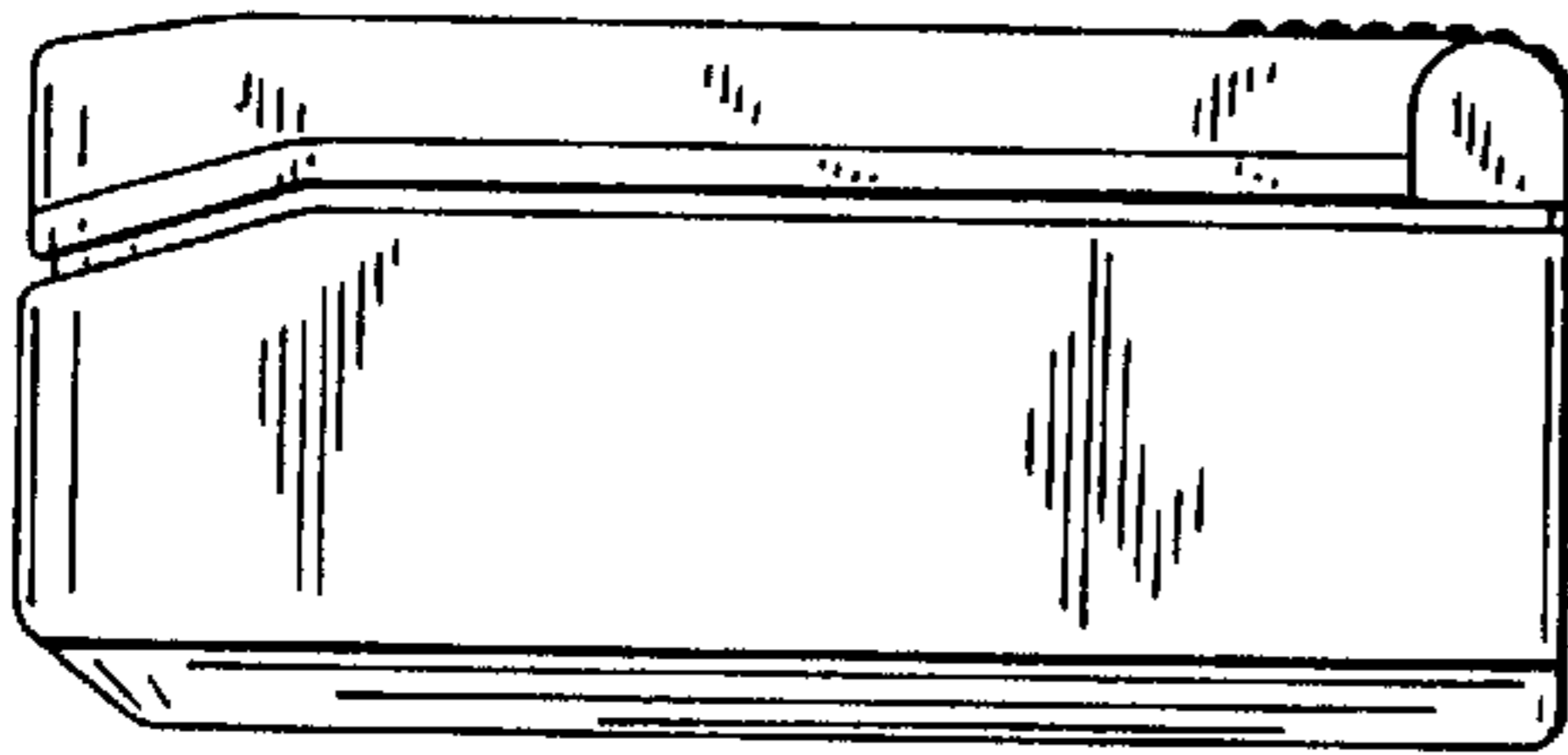


FIG. 7

