



US00D411188S

United States Patent [19]

[11] **Patent Number: Des. 411,188**

Briggs et al.

[45] **Date of Patent: ** Jun. 22, 1999**

[54] **DOOR FOR A COMPUTER DISK DRIVE**

[75] Inventors: **John C. Briggs**, Layton; **Paul Johnson**, Kaysville; **Carl F. Nicklos**, Ogden; **David E. Jones**, Layton; **Thomas J. Angellotti**, Ogden, all of Utah

[73] Assignee: **Iomega Corporation**, Roy, Utah

[**] Term: **14 Years**

[21] Appl. No.: **29/079,459**

[22] Filed: **Nov. 17, 1997**

[51] **LOC (6) Cl. 14-02**

[52] **U.S. Cl. D14/109; D14/114**

[58] **Field of Search D14/100, 102, D14/107-109, 114; D13/162, 184, 199; D6/432, 436, 445, 448; 312/208.1; 360/99.12, 99.02, 105, 106, 93, 99.06, 97.02; 361/730, 732, 736, 740**

[56] **References Cited**

U.S. PATENT DOCUMENTS

D. 311,740	10/1990	Wagner	D14/107
D. 334,917	4/1993	Miyamoto	D14/108
D. 336,077	6/1993	Barry et al.	D14/106
D. 338,661	8/1993	Miyamoto	D14/108
D. 349,519	8/1994	Tanaka	D14/109 X
D. 358,140	5/1995	Takasu et al.	D14/109
D. 360,197	7/1995	Ikenaga	D14/109 X
D. 362,237	9/1995	Nakada	D14/109 X
D. 368,468	4/1996	Kobayashi	D14/100
D. 375,728	11/1996	Nicklos et al.	D14/114
D. 377,008	12/1996	Nicklos et al.	D14/100
D. 377,644	1/1997	Nicklos et al.	D14/100
5,210,664	5/1993	Perona	360/93
5,467,235	11/1995	Watanabe	360/99.06
5,590,002	12/1996	Bracken et al.	360/97.02

OTHER PUBLICATIONS

U.S. application No. 29/049,696, Nicholas et al., filed Jan. 29, 1996.

U.S. application No. 29/049,703, Nicholas et al., filed Jan. 29, 1996.

U.S. application No. 29/049,704, Nicklos et al., filed Jan. 29, 1996.

U.S. application No. 29/053,779, Nicklos et al., filed Apr. 30, 1996.

U.S. application No. 29/076,497, Avery et al., filed Sep. 18, 1997.

U.S. application No. 29/076,796, Avery et al., filed Sep. 18, 1997.

U.S. application No. 29/076,805, Avery et al., filed Sep. 18, 1997.

U.S. application No. 08/834,256, Sumner et al., filed Apr. 15, 1997.

U.S. application No. 08/866,189, Sonderegger et al., filed May 30, 1997.

U.S. application No. 08/950,710, Nicklos et al., filed Oct. 15, 1997.

U.S. application No. 08/965,910, Thayne et al., filed Nov. 07, 1997.

Nomai 540 User's Guide, PC Kit, Ref.: 35401902, 1996, 6 pages.

MacWarehouse catalog item DynaTek removable SyQuest Drive, May 1994, 130.

MacConnection catalog items MDS Chinon CD-ROM drives, Mar. 1994, 7.

Primary Examiner—Freda Nunn

Attorney, Agent, or Firm—Woodcock Washburn Kurtz Mackiewicz & Norris LLP

[57] **CLAIM**

The ornamental design for a door for a computer disk drive, as shown and described.

DESCRIPTION

FIG. 1 is an isometric view of a door for a computer disk drive showing our new design;

FIG. 2 is a top plan view thereof;

FIG. 3 is a bottom plan view thereof;

FIG. 4 is a side view thereof;

FIG. 5 is an opposite side view thereof;

FIG. 6 is a back end view thereof; and,

FIG. 7 is a front end view thereof.

The broken lines are in the views for illustrative purposes only and form no part of the claimed design.

1 Claim, 3 Drawing Sheets

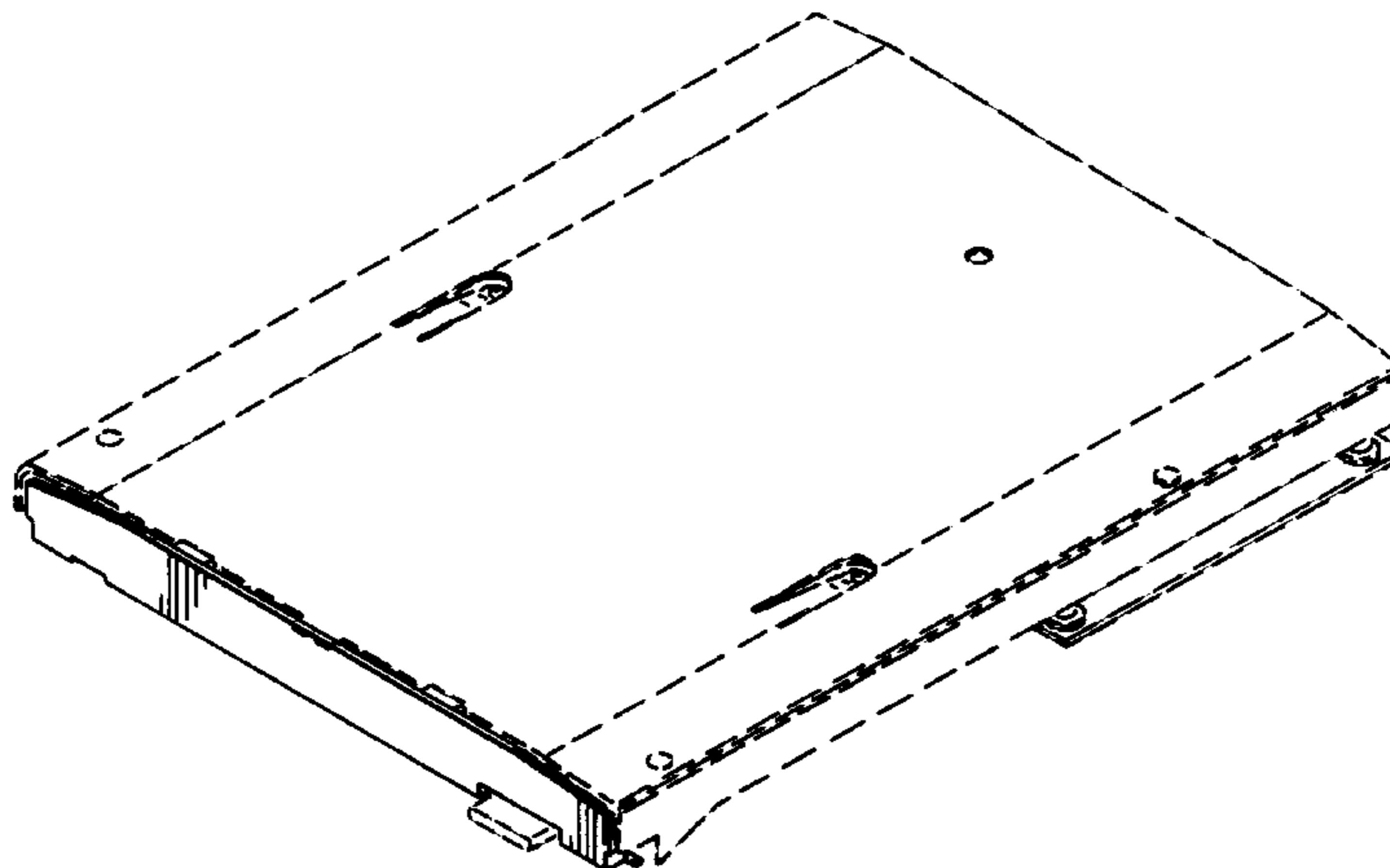


FIG. 1

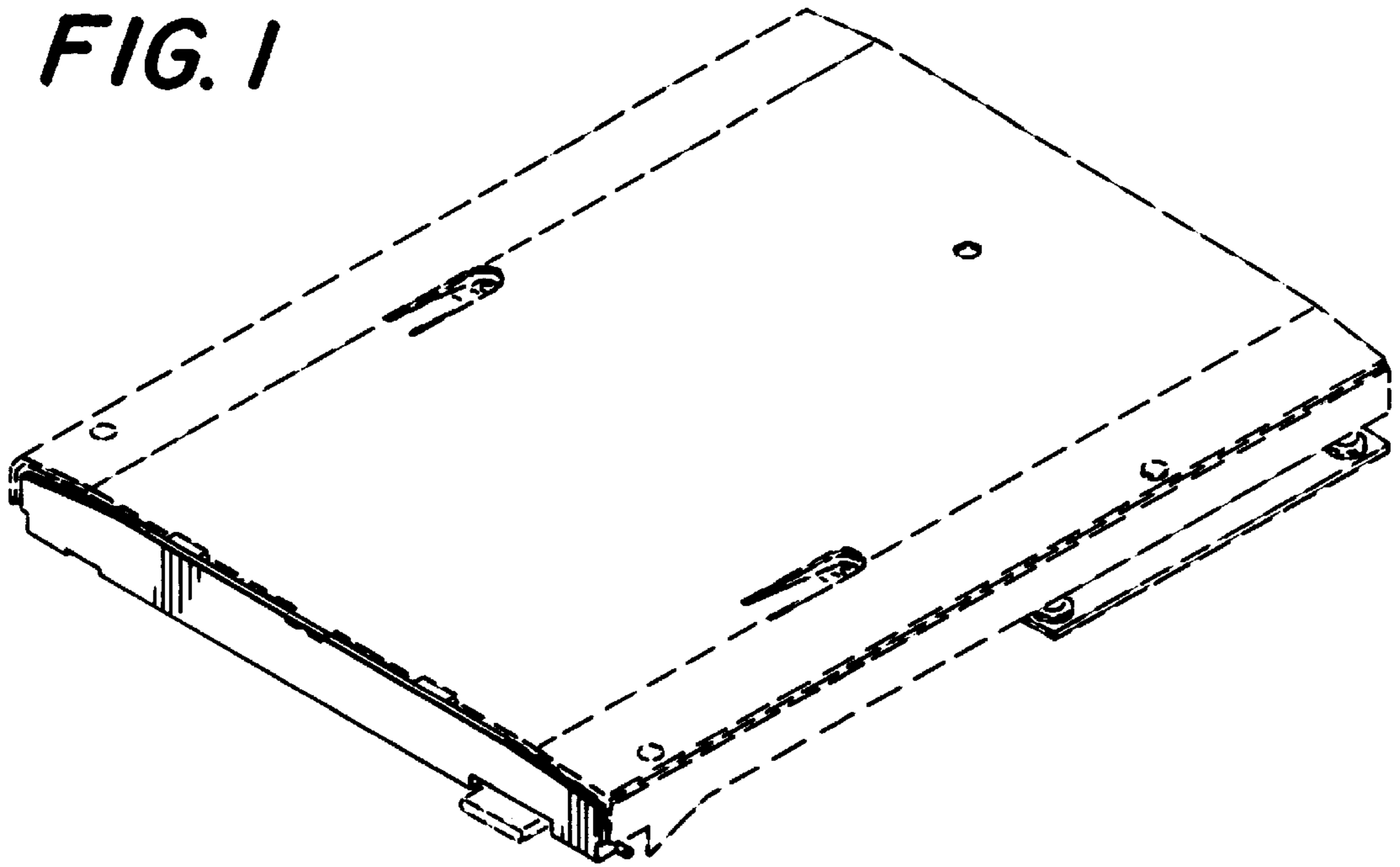


FIG. 4

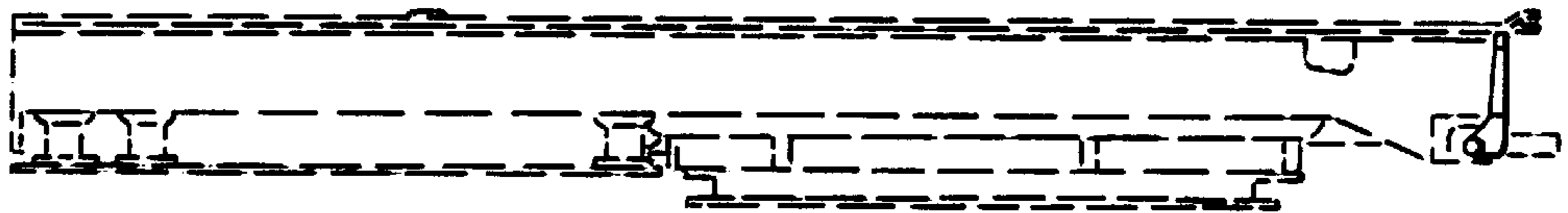


FIG. 5

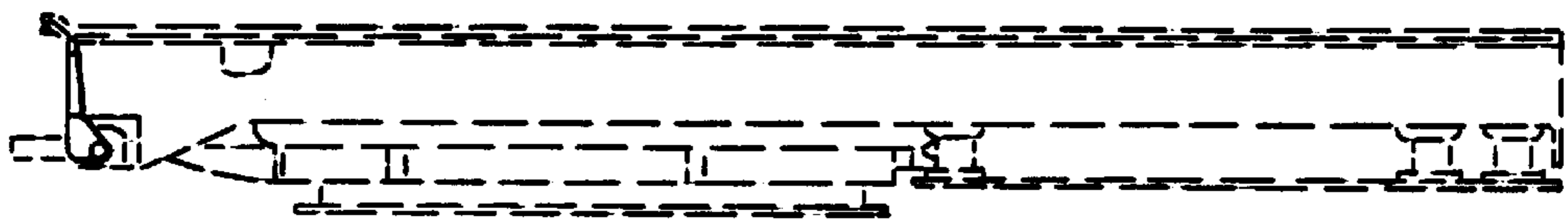


FIG. 2

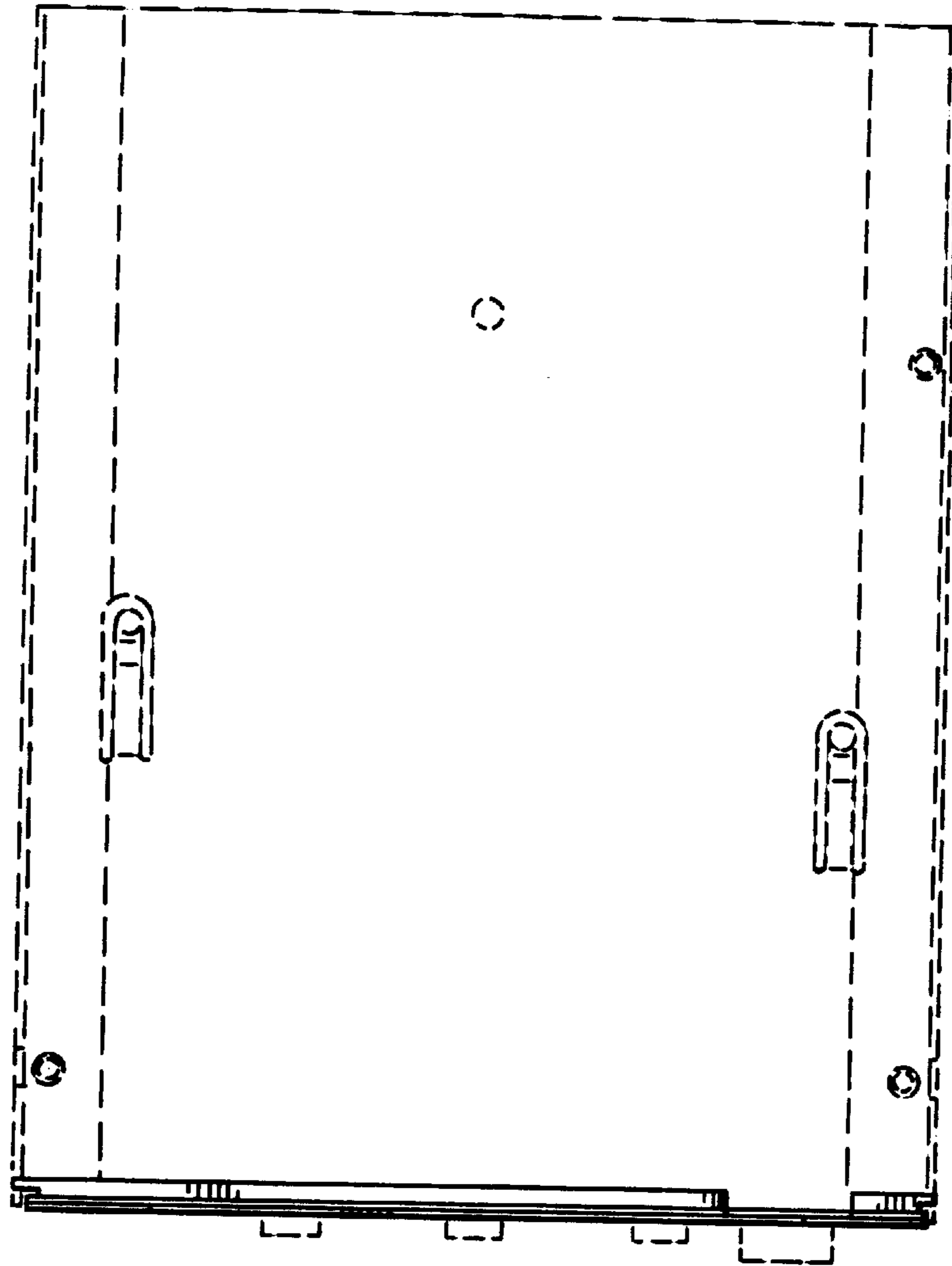


FIG. 7

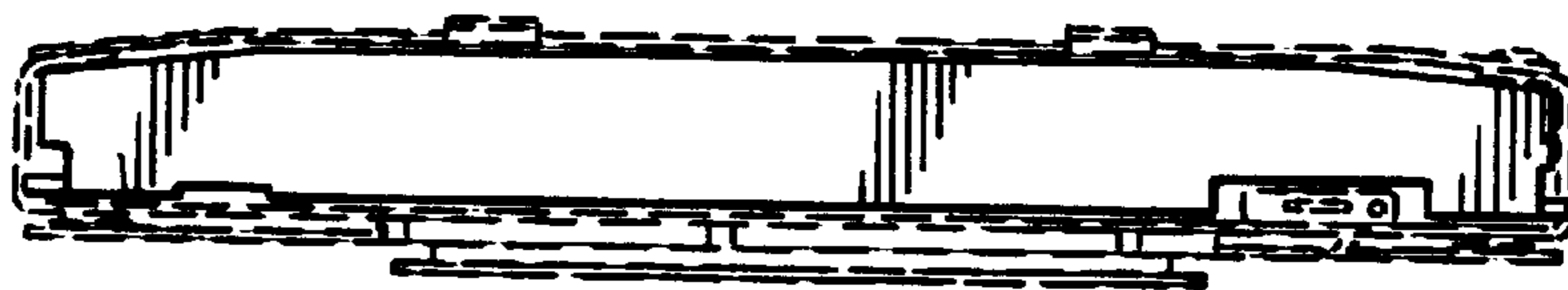


FIG. 3

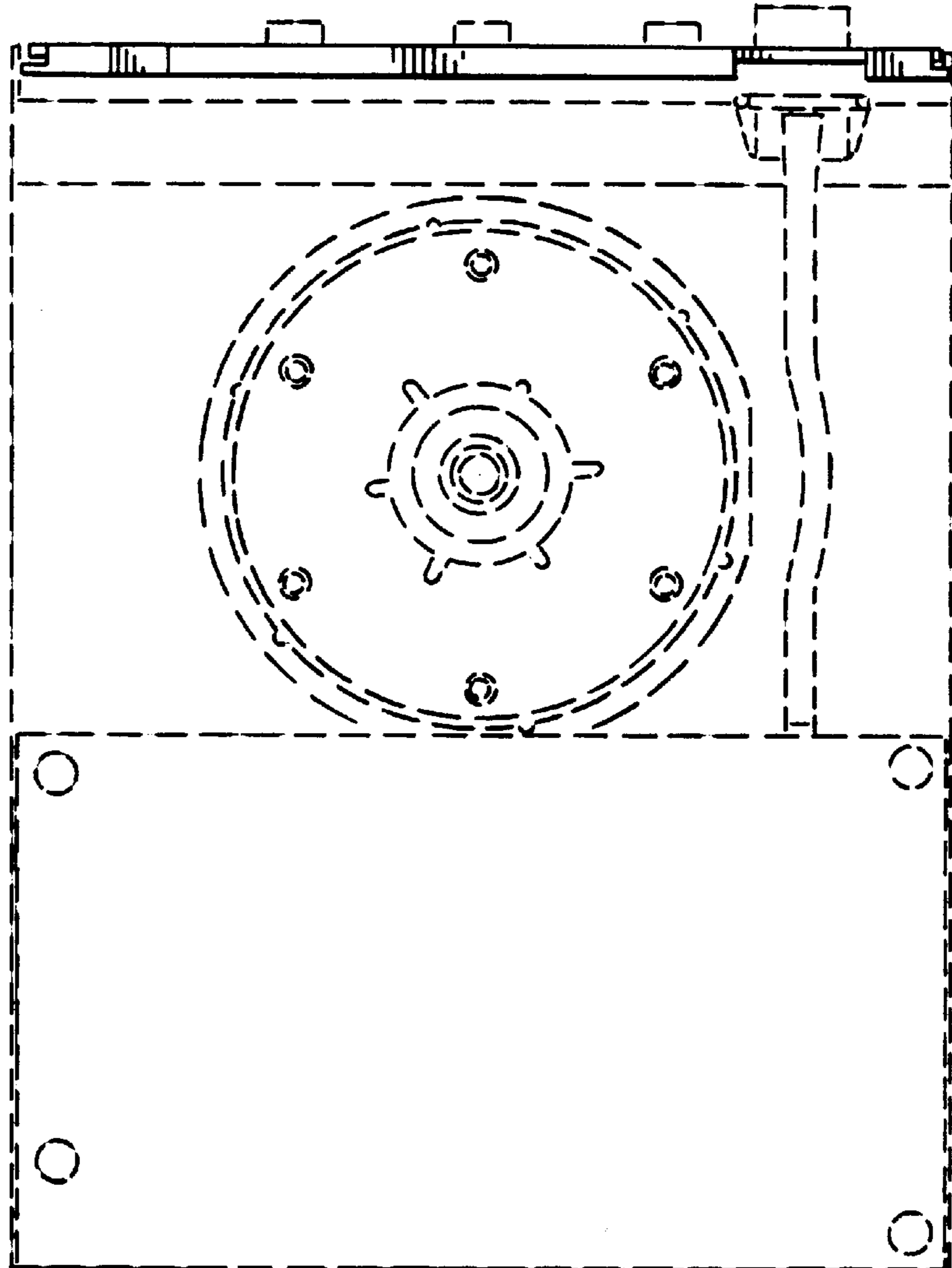


FIG. 6

