



US00D411187S

# United States Patent [19]

You et al.

[11] Patent Number: **Des. 411,187**

[45] Date of Patent: **\*\* Jun. 22, 1999**

[54] **REMOVABLE REMOTE DRIVE BAY**

[75] Inventors: **Roger Shownan You**, Cerritos; **David Hun-Chen Chen**, Agoura Hills; **Matthew Allison Herron**, Palo Alto; **Jacques Louis Gagne**, Los Altos; **Dore Chin Mark**, San Francisco; **Kevin Christian Coullahan**, San Jose, all of Calif.

[73] Assignee: **Packard Bell NEC**, Sacramento, Calif.

[\*\*] Term: **14 Years**

[21] Appl. No.: **29/079,364**

[22] Filed: **Nov. 14, 1997**

[51] **LOC (6) Cl.** ..... **14-02**

[52] **U.S. Cl.** ..... **D14/109**

[58] **Field of Search** ..... D14/100, 102, D14/107-109; D13/162, 184, 199; D6/432, 436, 445, 448; 312/208.1; 360/99.12, 99.02, 105, 106; 361/694, 696

[56] **References Cited**

**U.S. PATENT DOCUMENTS**

D. 354,481 1/1995 Imura ..... D14/107

D. 371,768 7/1996 Kammergard et al. .... D14/107  
D. 374,216 10/1996 Paul ..... D14/107  
D. 379,352 5/1997 Ikenaga ..... D14/107  
D. 386,154 11/1997 Lee ..... D14/102

*Primary Examiner*—Freda Nunn  
*Attorney, Agent, or Firm*—Fitch, Even, Tabin & Flannery

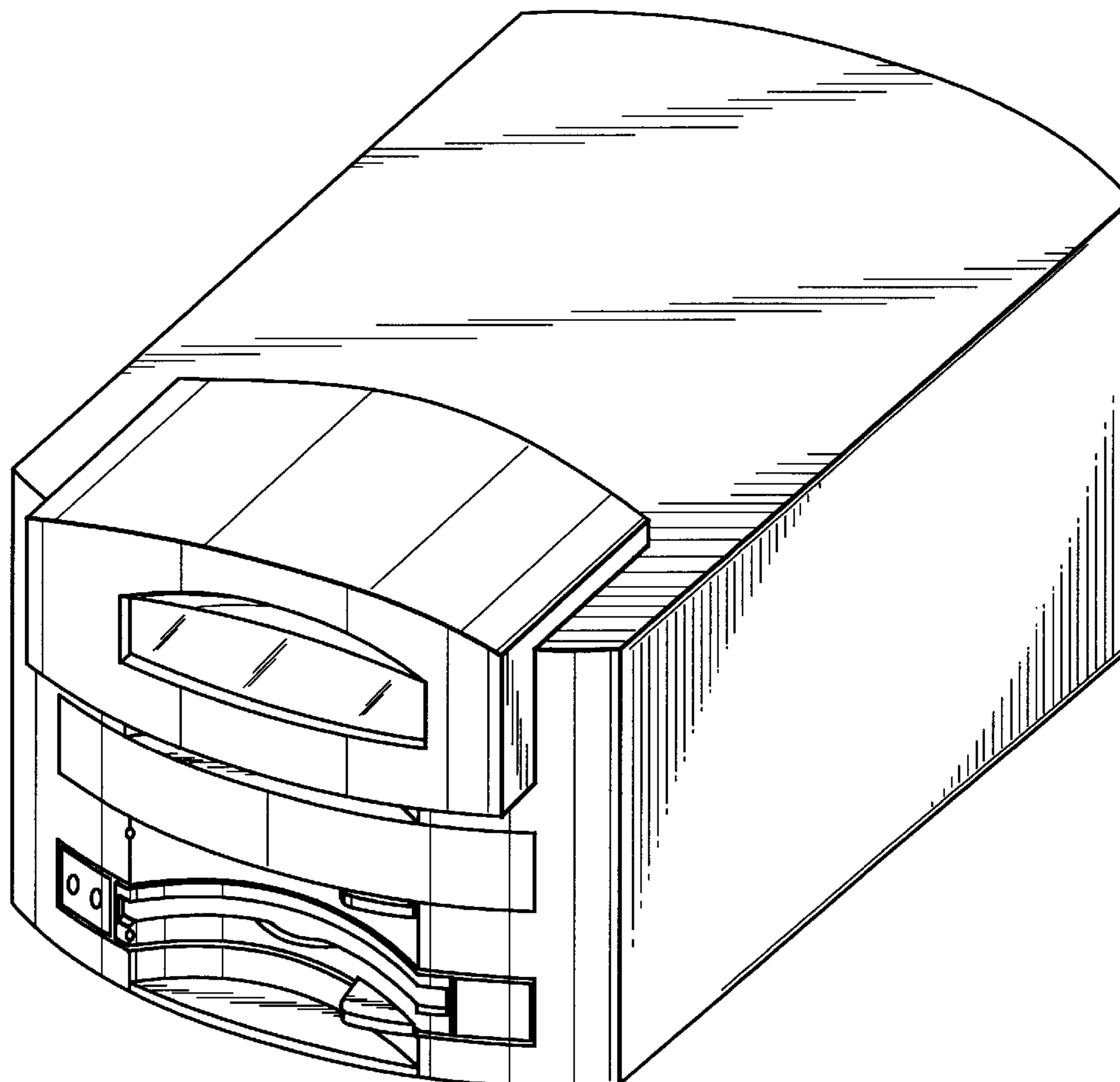
[57] **CLAIM**

The ornamental design for a removable remote drive bay, as shown and described.

**DESCRIPTION**

FIG. 1 is a perspective view of a removable remote drive bay in accordance with the present invention; FIG. 2 is a front elevational view of the removable drive illustrated in FIG. 1; FIG. 3 is a rear elevational view of the removable drive illustrated in FIG. 1; FIG. 4 is a side elevational view of the removable drive illustrating the left side relative to FIG. 1; FIG. 5 is similar to FIG. 4 but illustrating the right side; FIG. 6 is top plan view of the removable drive illustrated in FIG. 1; and, FIG. 7 is a bottom plan view of the removable drive illustrated in FIG. 1.

**1 Claim, 4 Drawing Sheets**



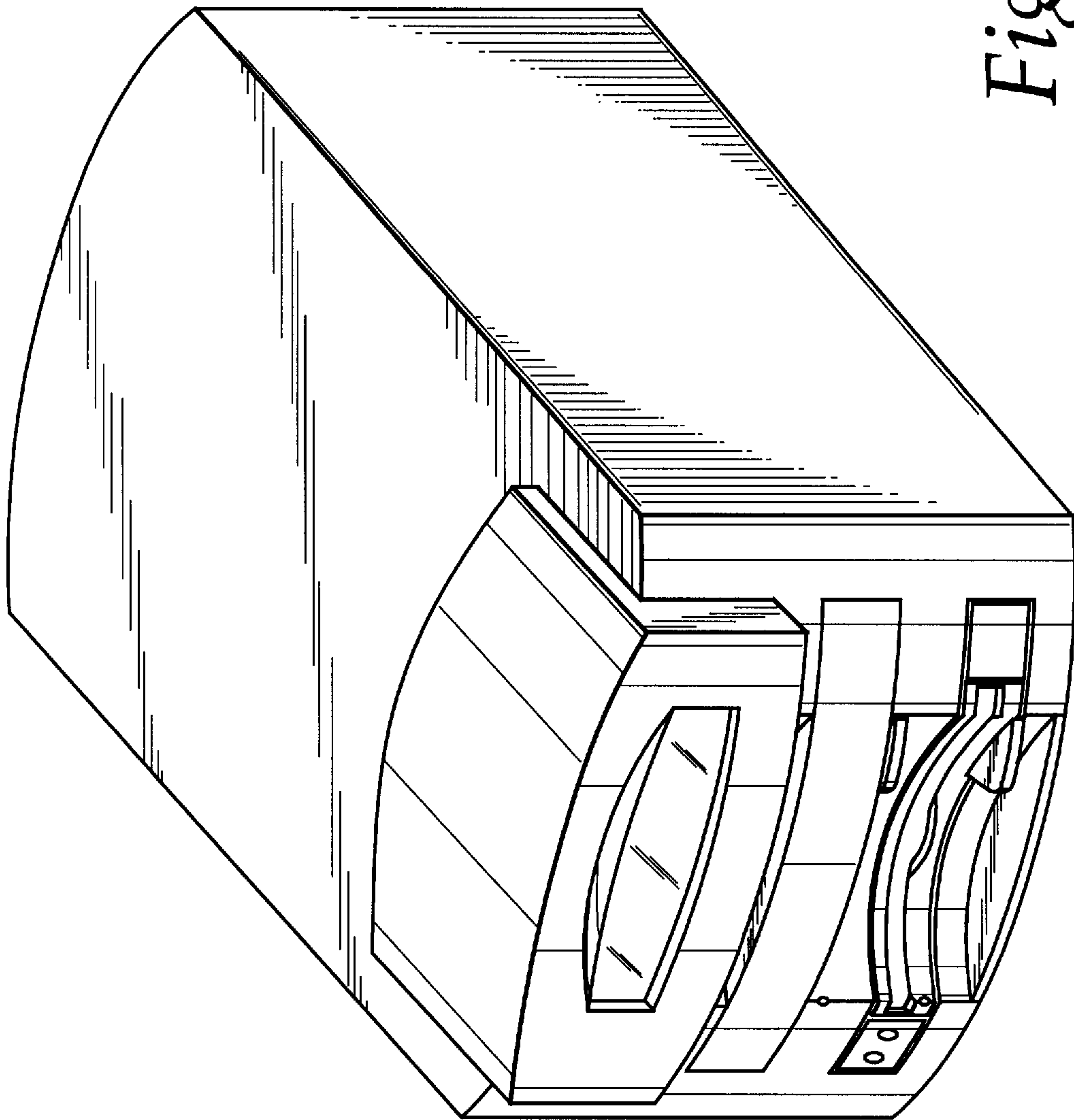
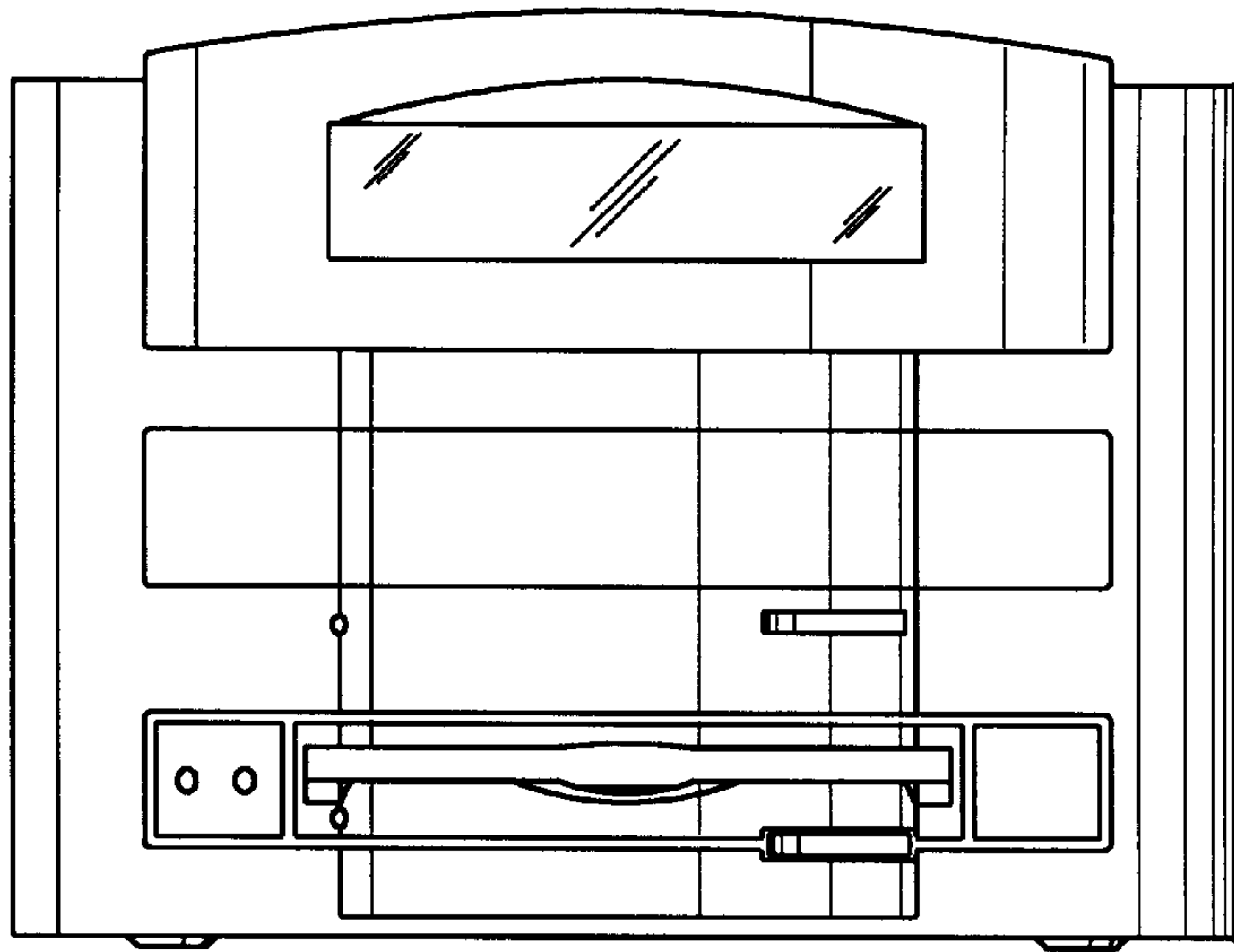
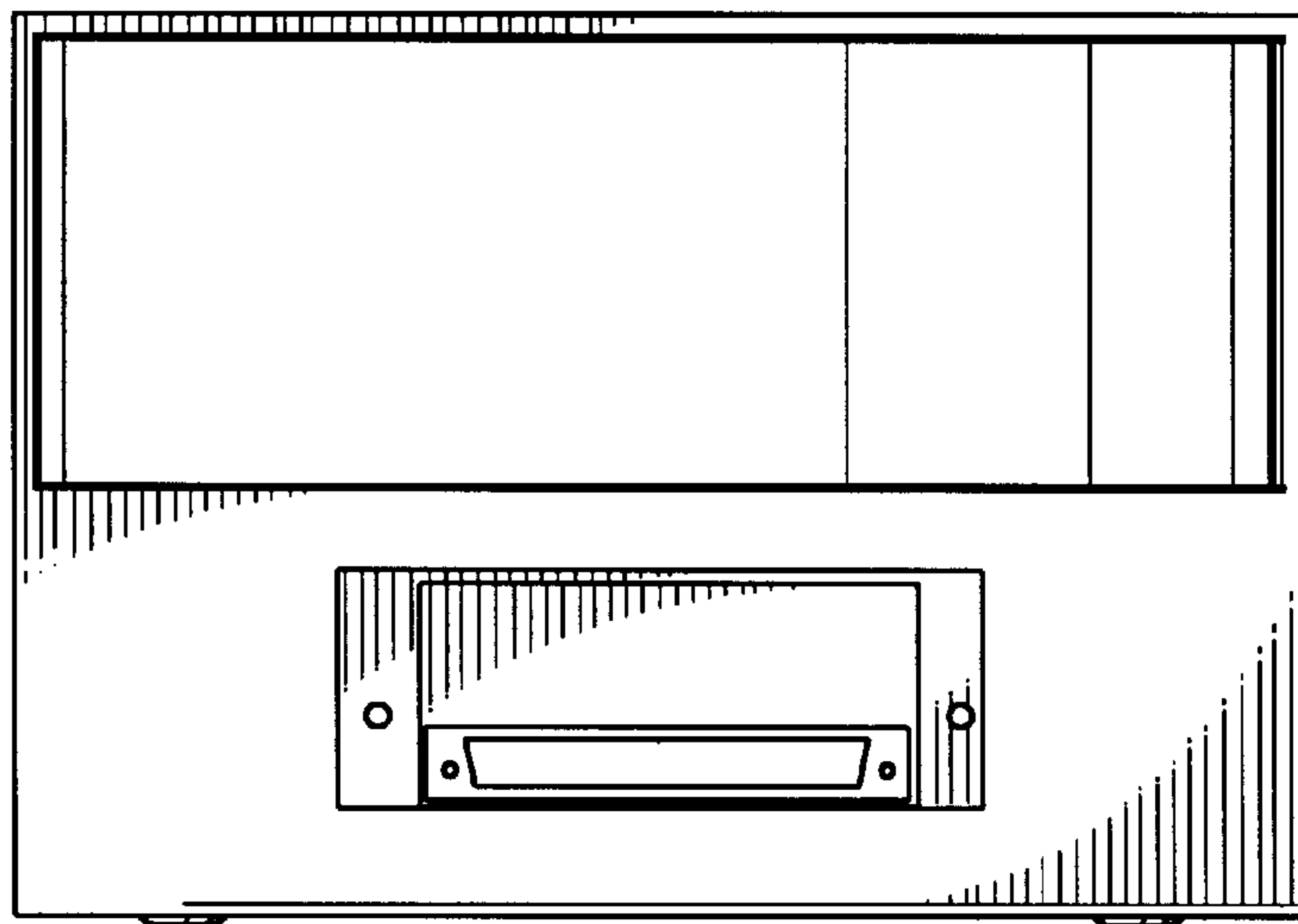


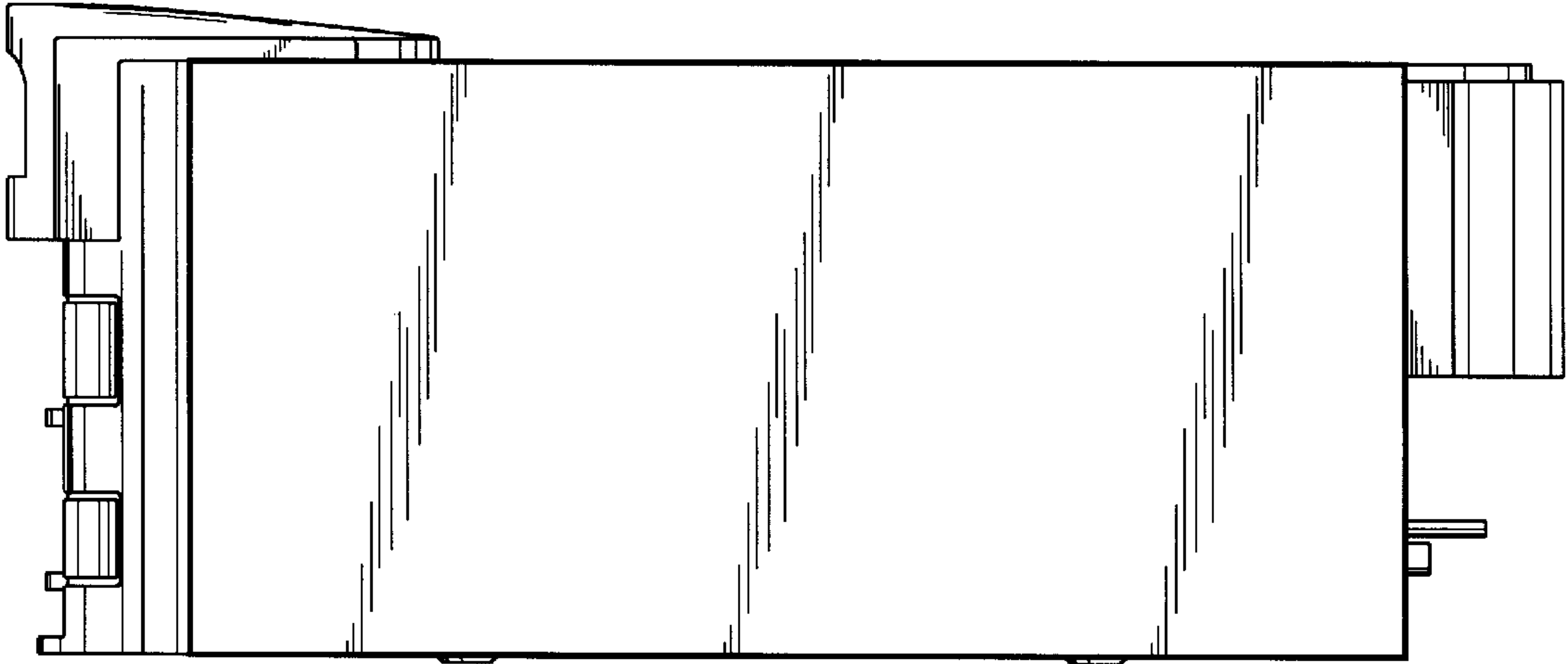
Fig. 1



*Fig. 2*



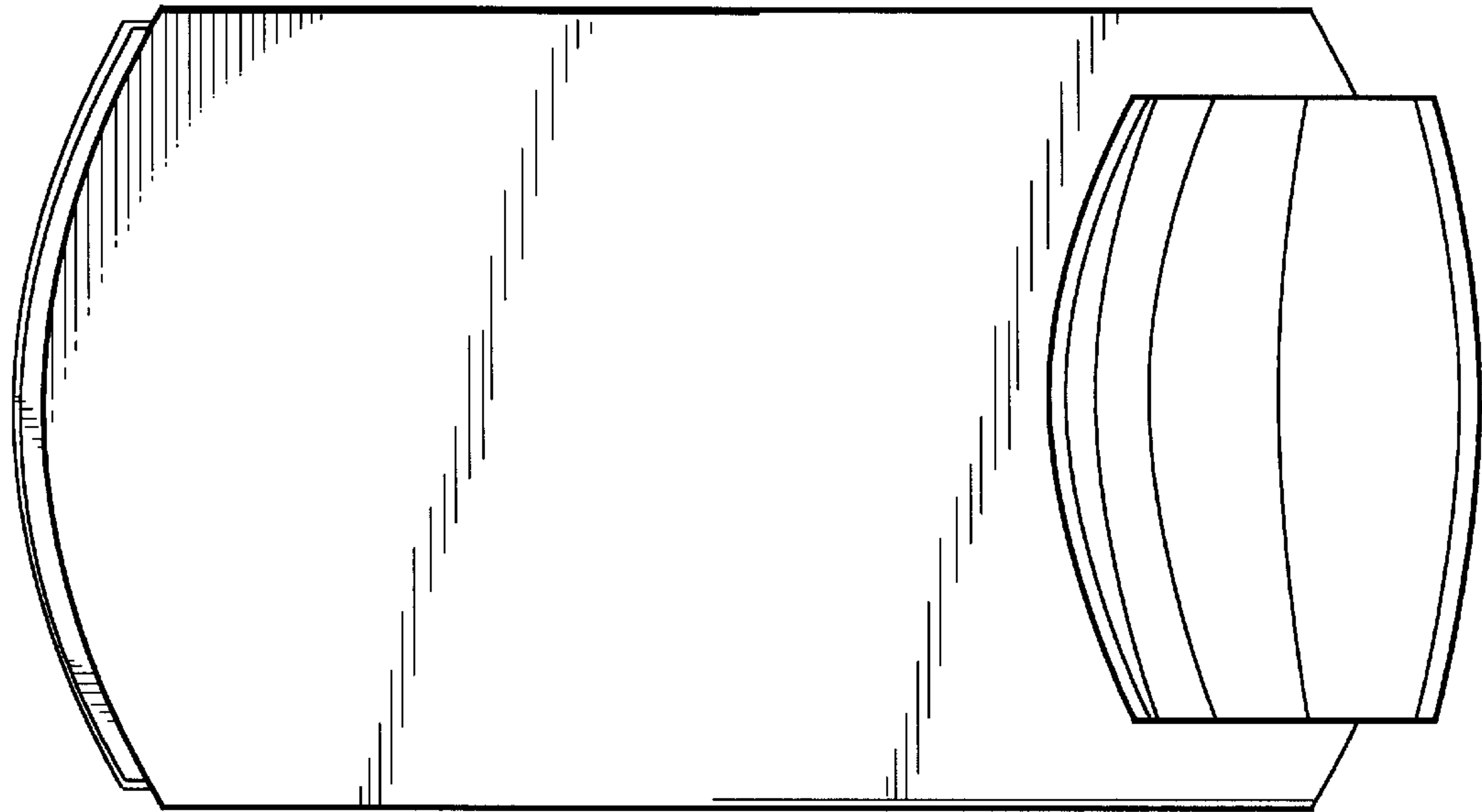
*Fig. 3*



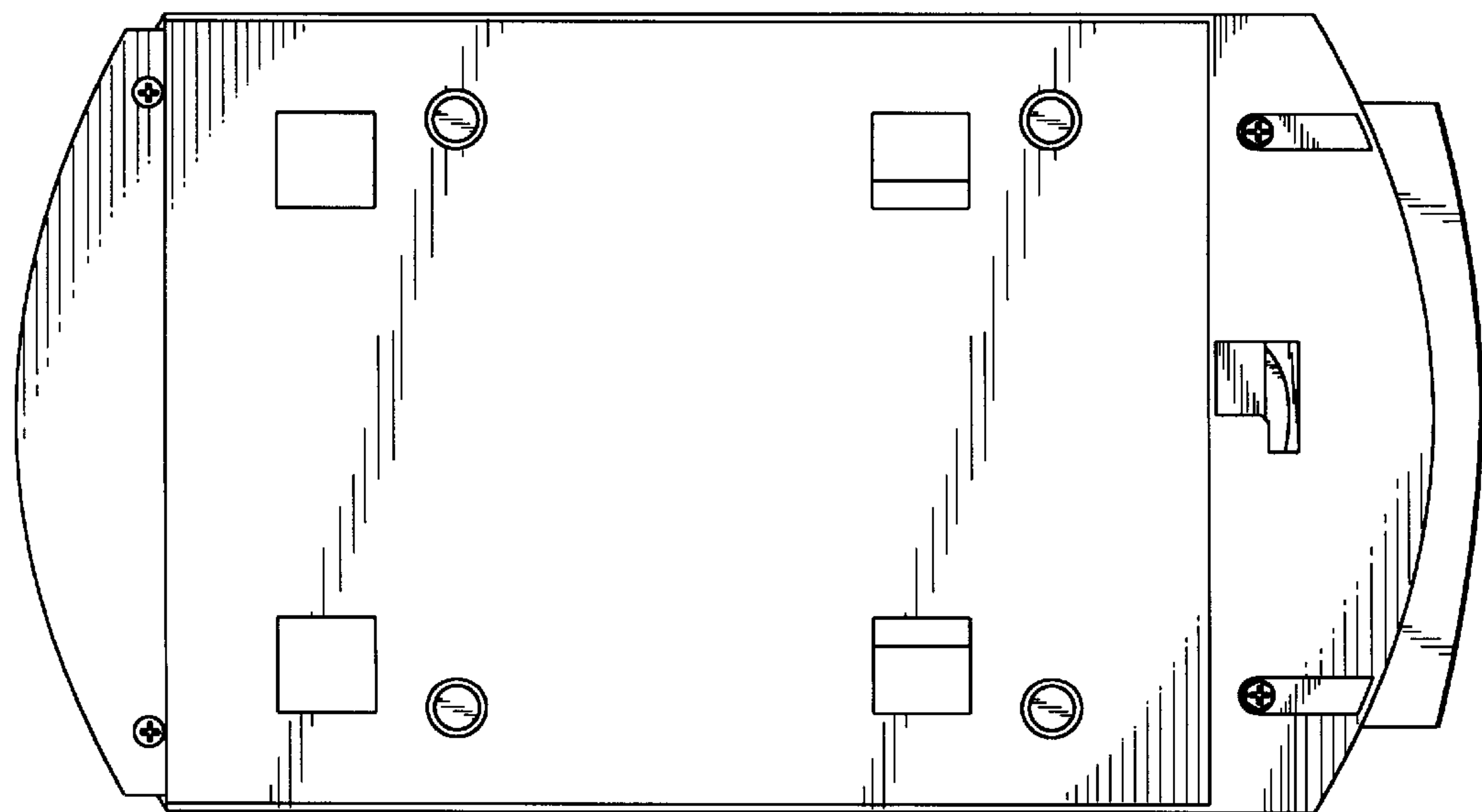
*Fig. 4*



*Fig. 5*



*Fig. 6*



*Fig. 7*