



US00D411182S

United States Patent [19]

McIntosh et al.

[11] Patent Number: Des. 411,182

[45] Date of Patent: ** Jun. 22, 1999

[54] ELECTRONIC DATA PROCESSING
COMPUTER CABINET

[75] Inventors: Steven C. McIntosh, Kingston; Gerard F. Muenkel, Highland; Howard P. Welz, Hyde Park, all of N.Y.

[73] Assignee: International Business Machines Corporation, Armonk, N.Y.

[**] Term: 14 Years

[21] Appl. No.: 29/086,045

[22] Filed: Apr. 3, 1998

[51] LOC (6) Cl. 14-02

[52] U.S. Cl. D14/102

[58] Field of Search D14/100, 102,
D14/107-109; D13/162, 184, 199; D6/432,
436, 445, 448; 312/208.1; 360/99.12; 361/690-694

[56] References Cited

U.S. PATENT DOCUMENTS

D. 272,738	2/1984	Best	D14/102
D. 296,896	7/1988	Chu et al.	D14/102
D. 316,084	4/1991	Imamura et al.	D14/102
D. 357,004	4/1995	Ando .		

D. 360,623	7/1995	Ando .
D. 369,787	5/1996	Muenkel .
D. 370,468	6/1996	Moffatt et al. .
D. 375,943	11/1996	Muenkel .
D. 388,062	12/1997	Desiano et al. .

Primary Examiner—Freda Nunn
Attorney, Agent, or Firm—Lawrence D. Cutter

[57] CLAIM

We claim the ornamental design for the electronic data processing computer cabinet, as shown and described.

DESCRIPTION

FIG. 1 is a top front and right side isometric view of the electronic data processing computer cabinet showing our new design;

FIG. 2 is a top, front, left side isometric view thereof;

FIG. 3 is a top, rear, right side isometric view thereof;

FIG. 4 is a front elevational view thereof;

FIG. 5 is a rear elevational view thereof;

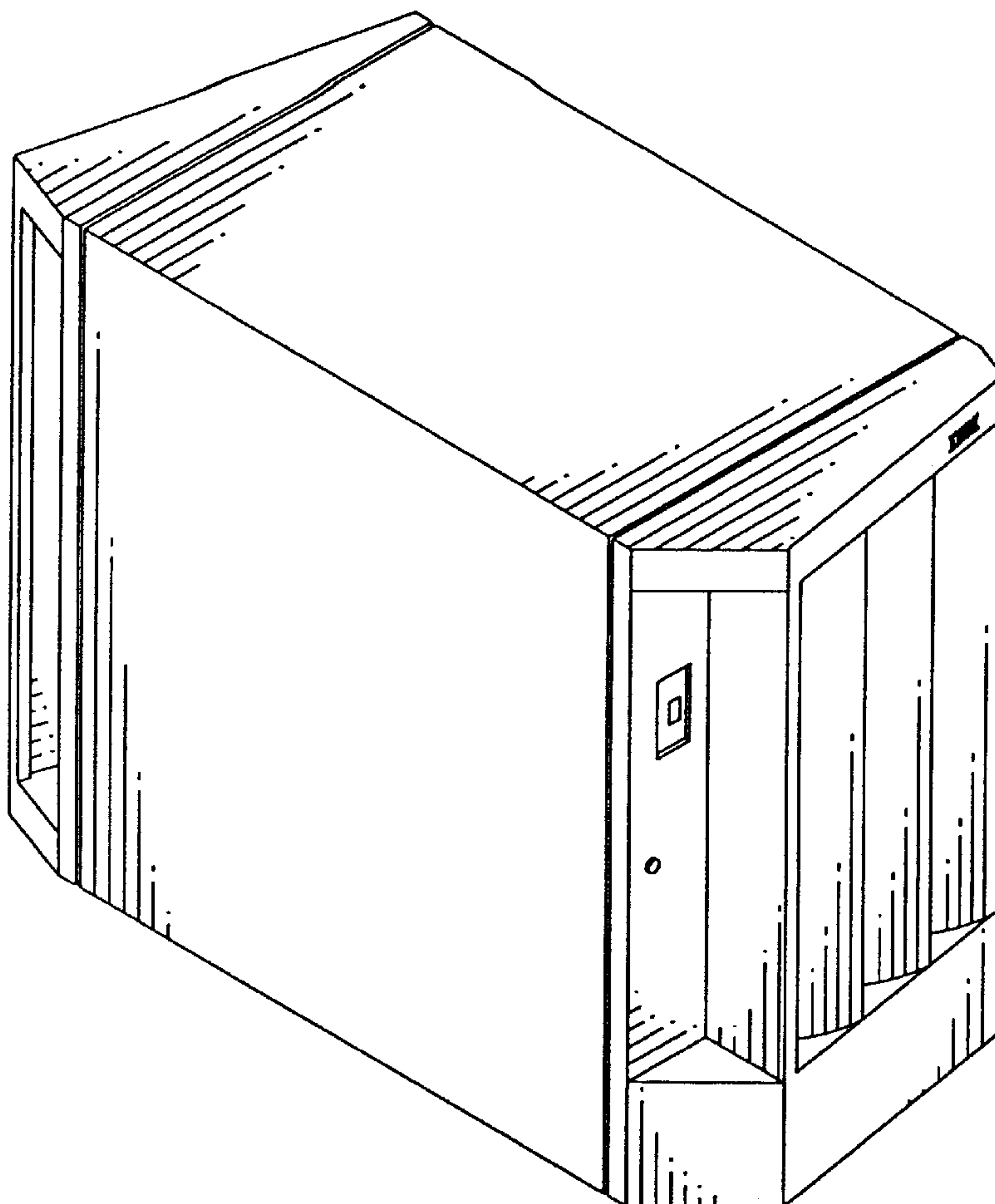
FIG. 6 is a right side view thereof;

FIG. 7 is a left side view thereof; and,

FIG. 8 is a top plan view thereof.

The undisclosed bottom view is unornamented except for the inclusion of the casters shown in the views.

1 Claim, 8 Drawing Sheets



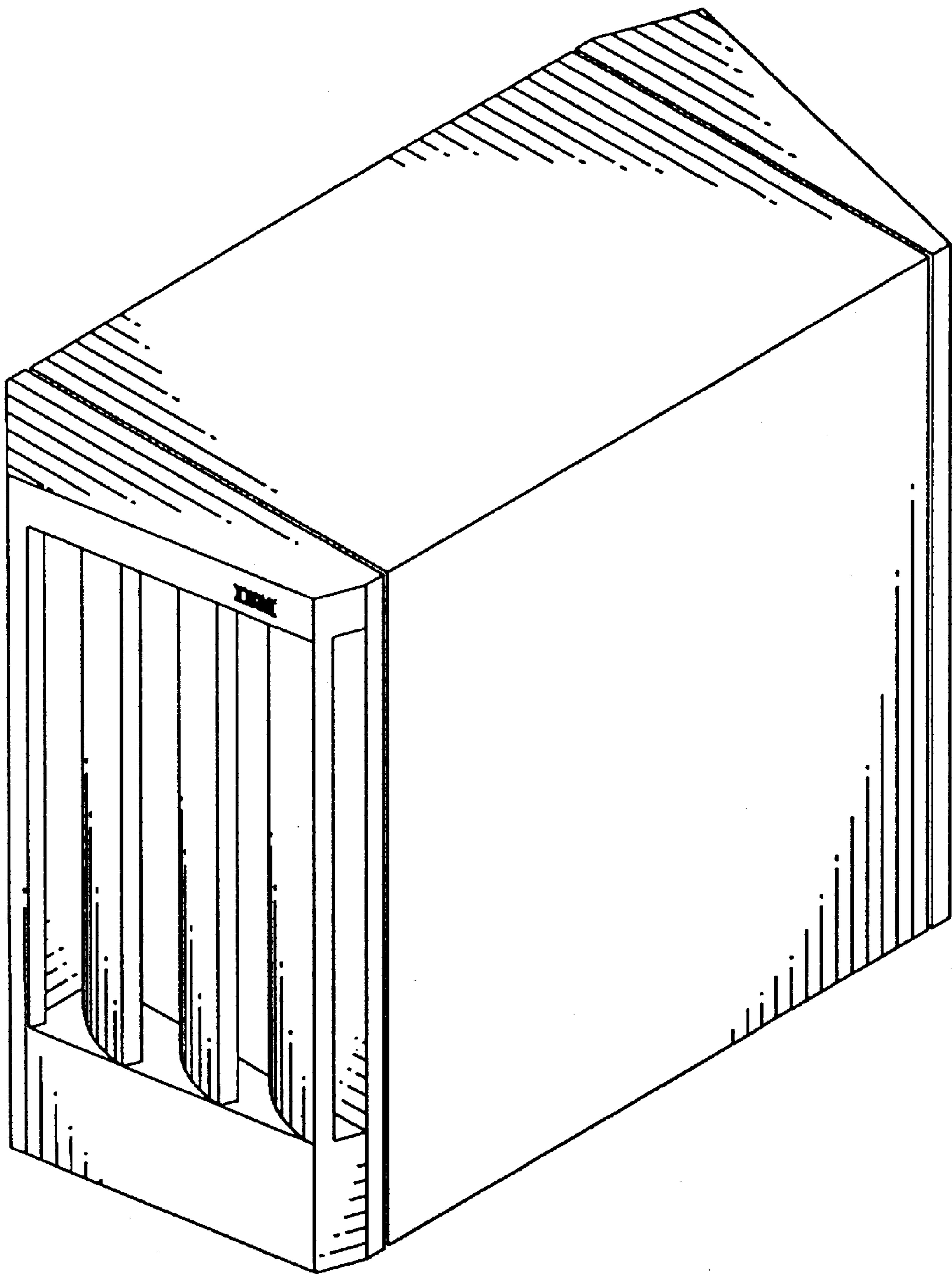


FIG. 1

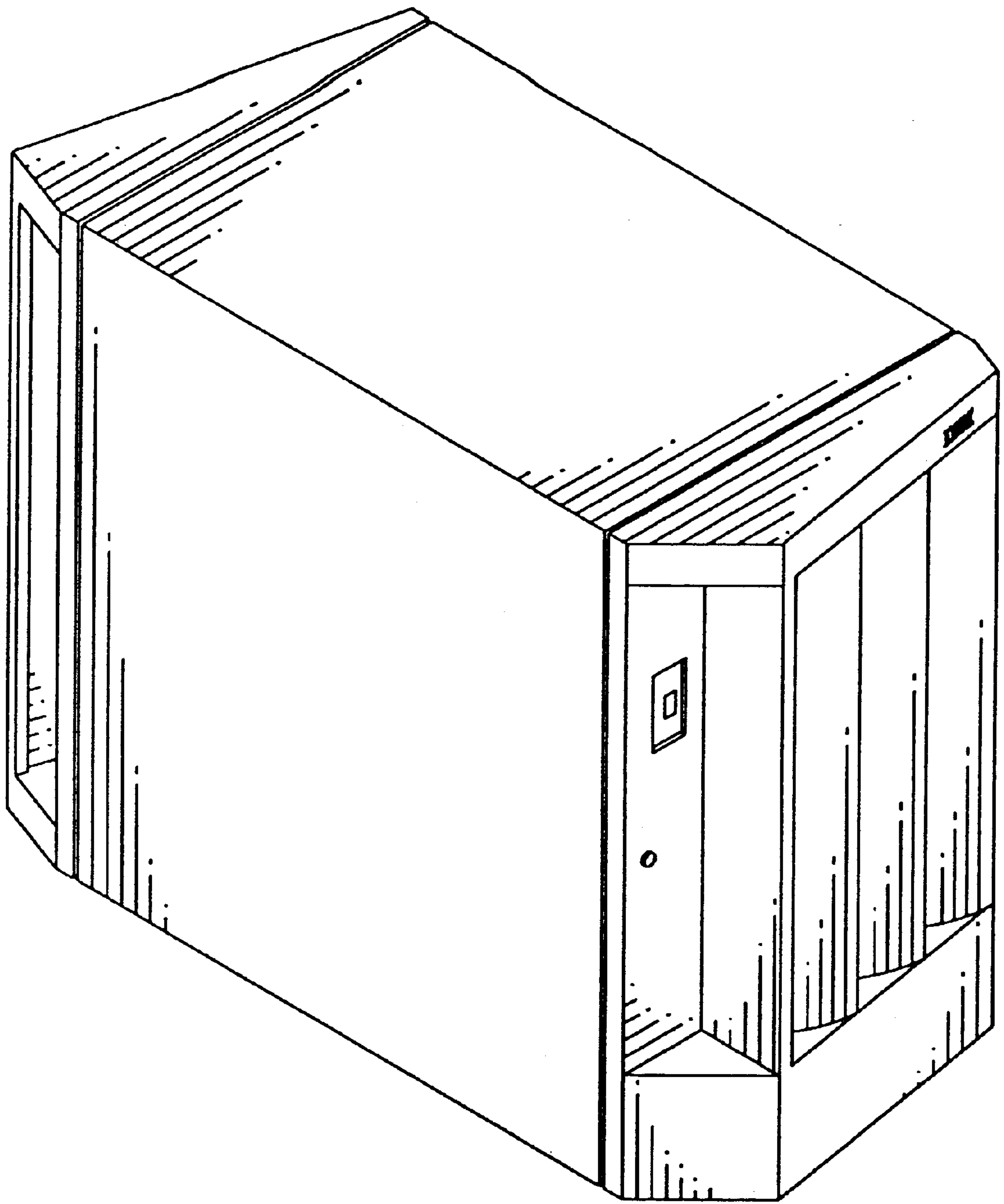


FIG. 2

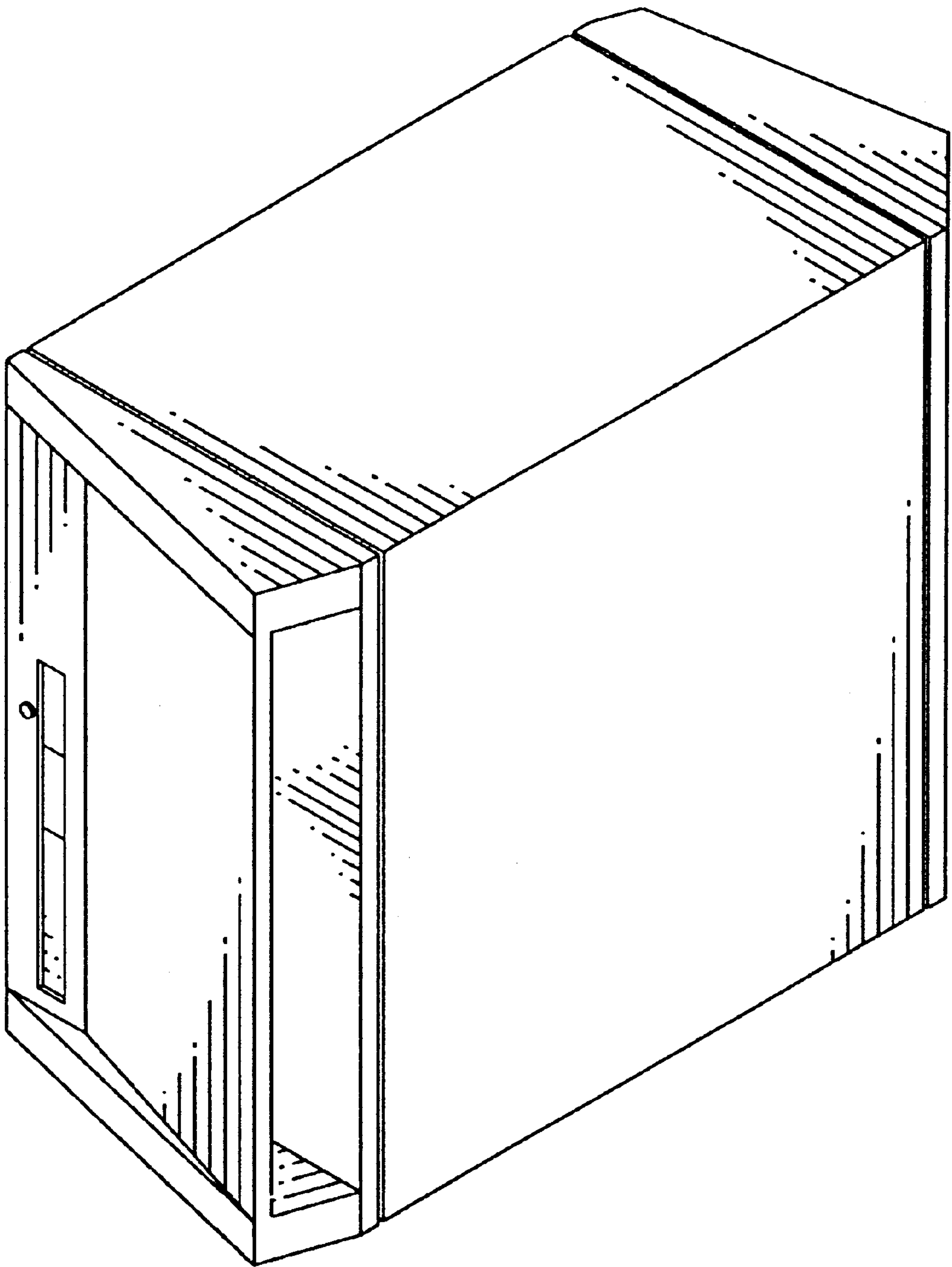


FIG. 3

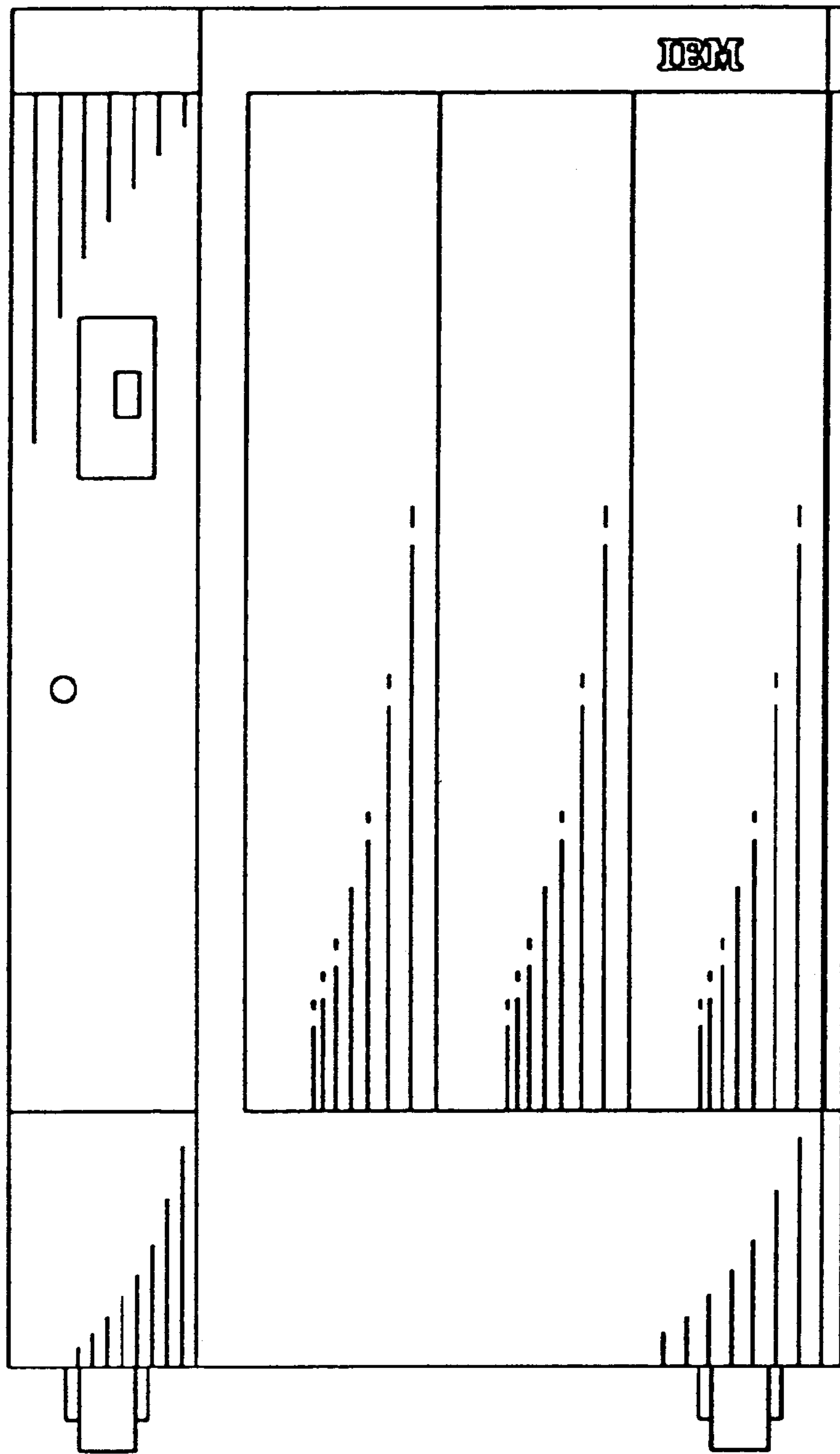


FIG. 4

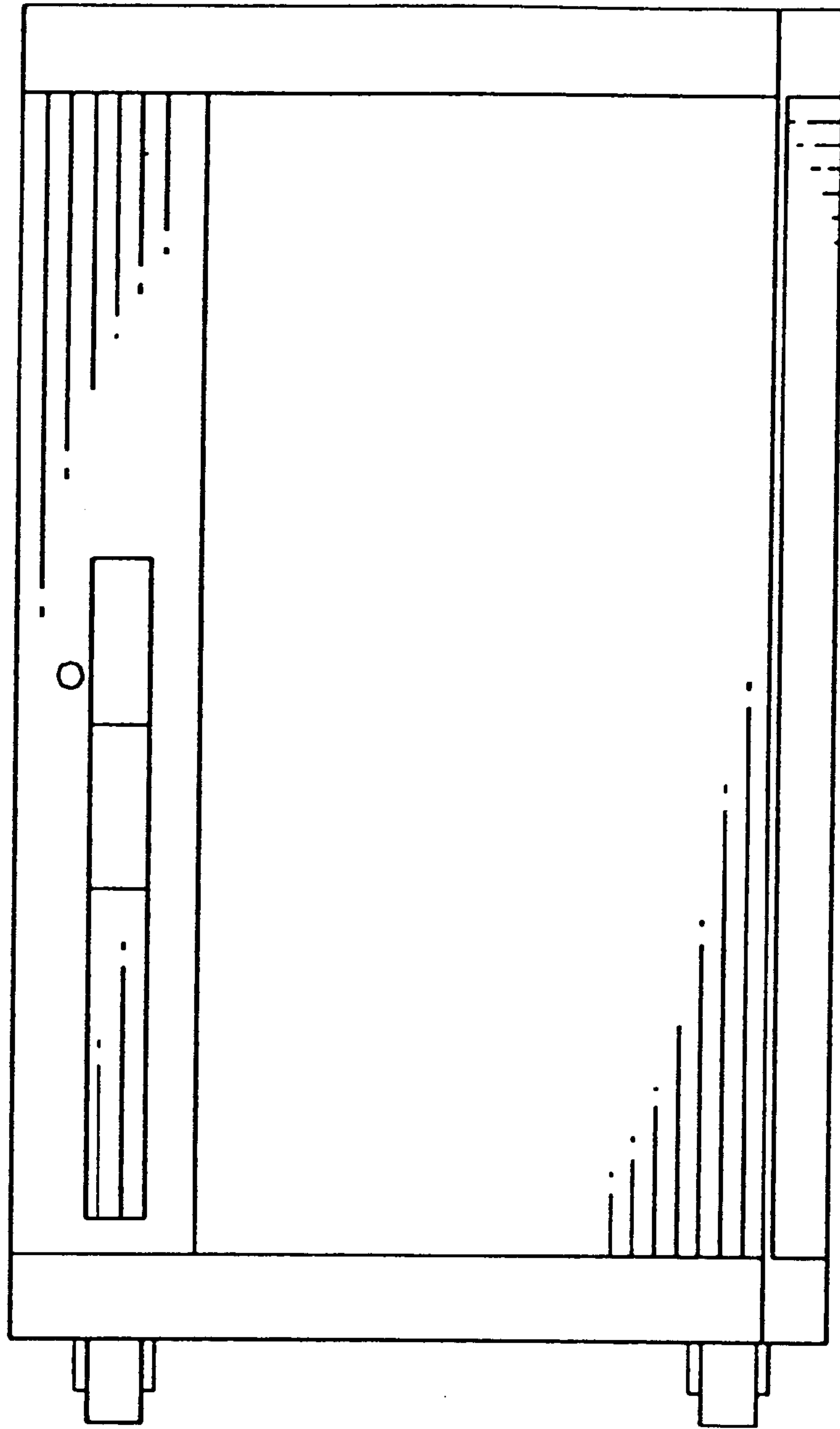


FIG. 5

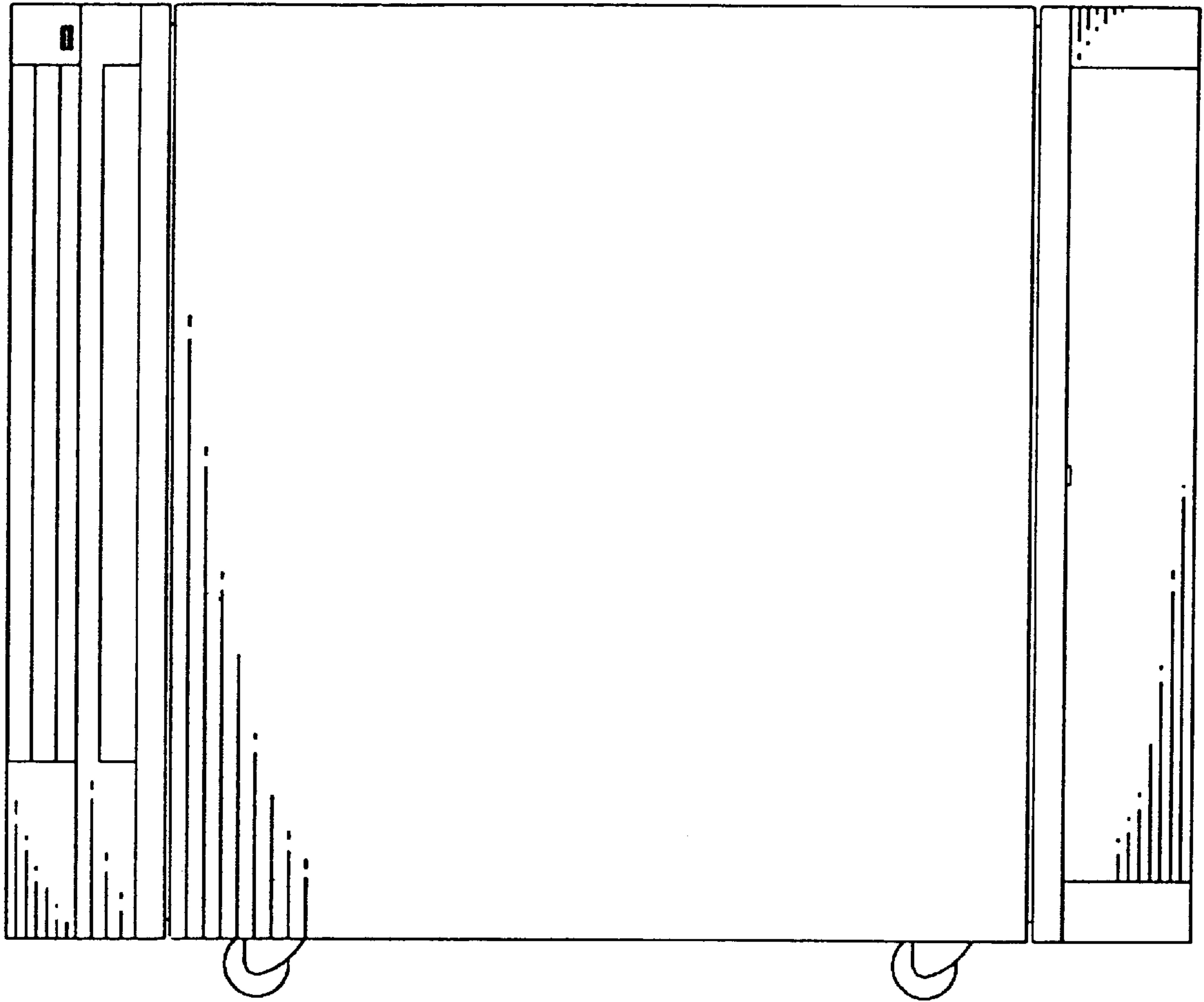


FIG. 6

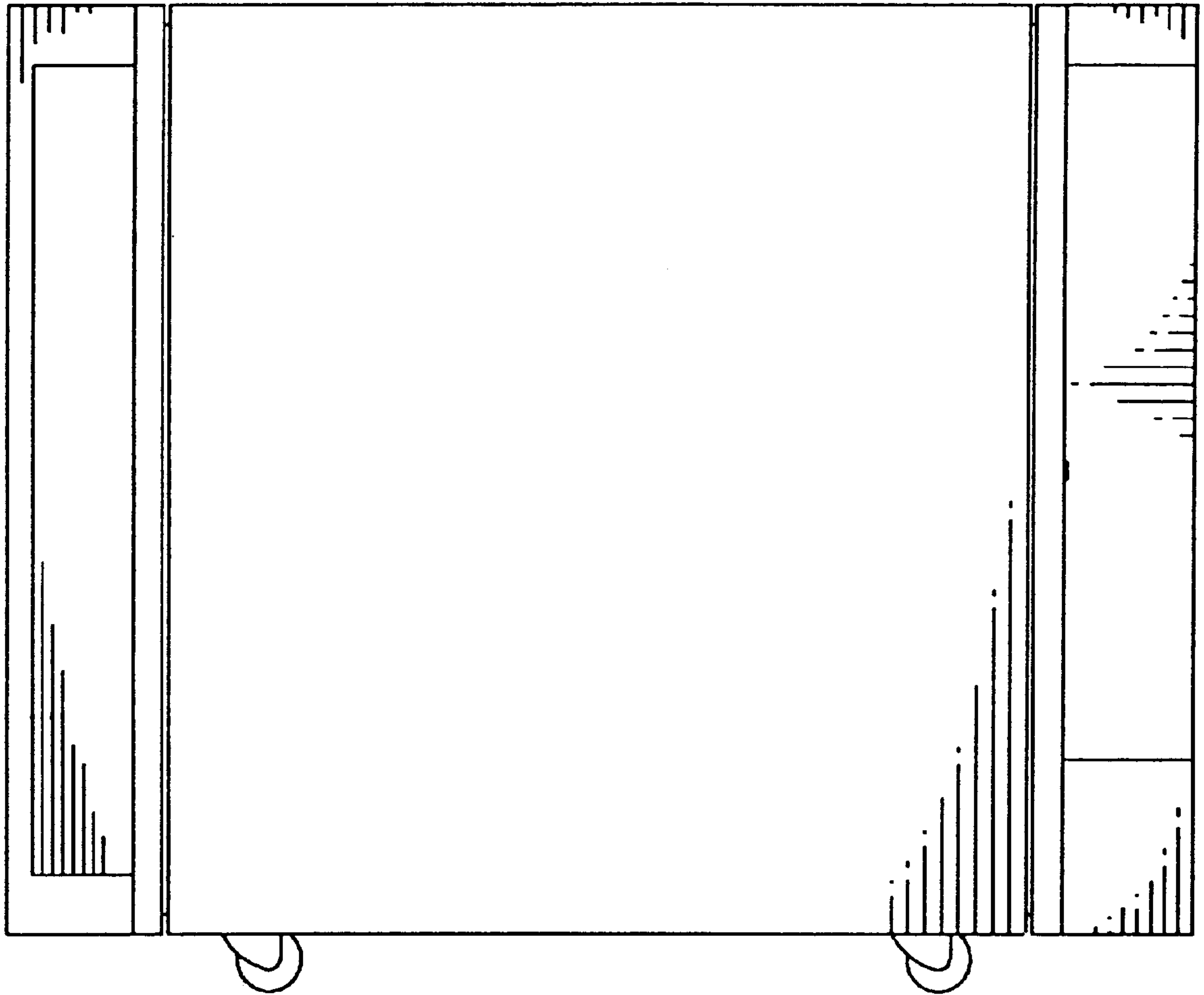


FIG. 7

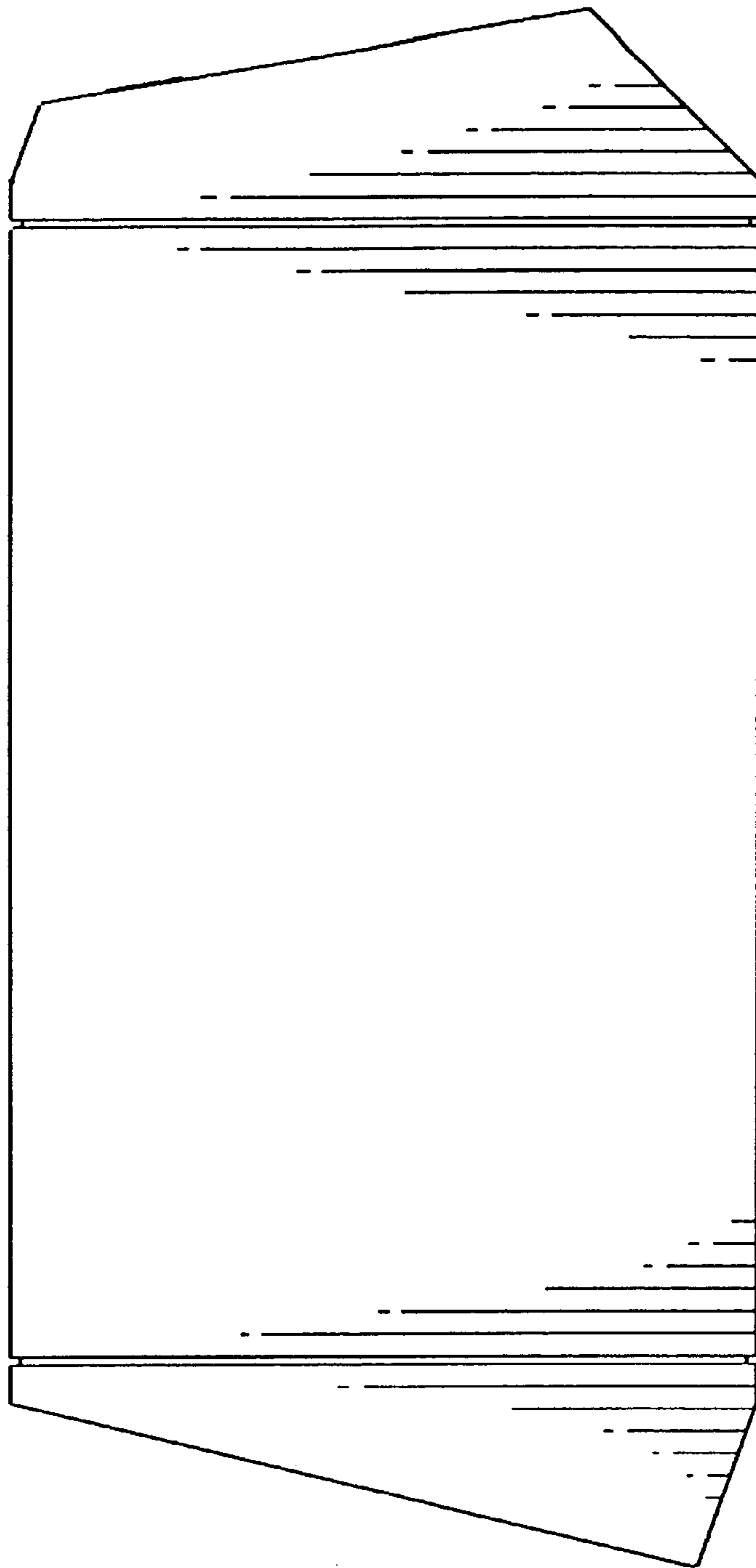


FIG. 8