



US00D411181S

United States Patent [19]

Tamaki et al.

[11] Patent Number: Des. 411,181

[45] Date of Patent: ** Jun. 22, 1999

[54] ELECTRONIC COMPUTER

[75] Inventors: **Hidetoshi Tamaki; Tamiko Kuwahara**, both of Nara-ken, Japan

[73] Assignee: **Sharp Kabushiki Kaisha**, Osaka, Japan

[**] Term: **14 Years**

[21] Appl. No.: **29/089,902**

[22] Filed: **Jun. 25, 1998**

[30] Foreign Application Priority Data

Dec. 26, 1997 [JP] Japan 9-80133

[51] LOC (6) Cl. **14-02**

[52] U.S. Cl. **D14/100**

[58] Field of Search D14/100, 106, D14/115; D18/1, 2, 7; 345/156, 168, 169, 172, 173, 87; 364/708.1; 349/12; D19/26

[56] References Cited

U.S. PATENT DOCUMENTS

D. 357,000	4/1995	Takahashi	D14/100
D. 376,351	12/1996	Matsumoto	D14/100
5,555,157	9/1996	Moller et al.	361/683

Primary Examiner—Freda Nunn
Attorney, Agent, or Firm—Nixon & Vanderhye

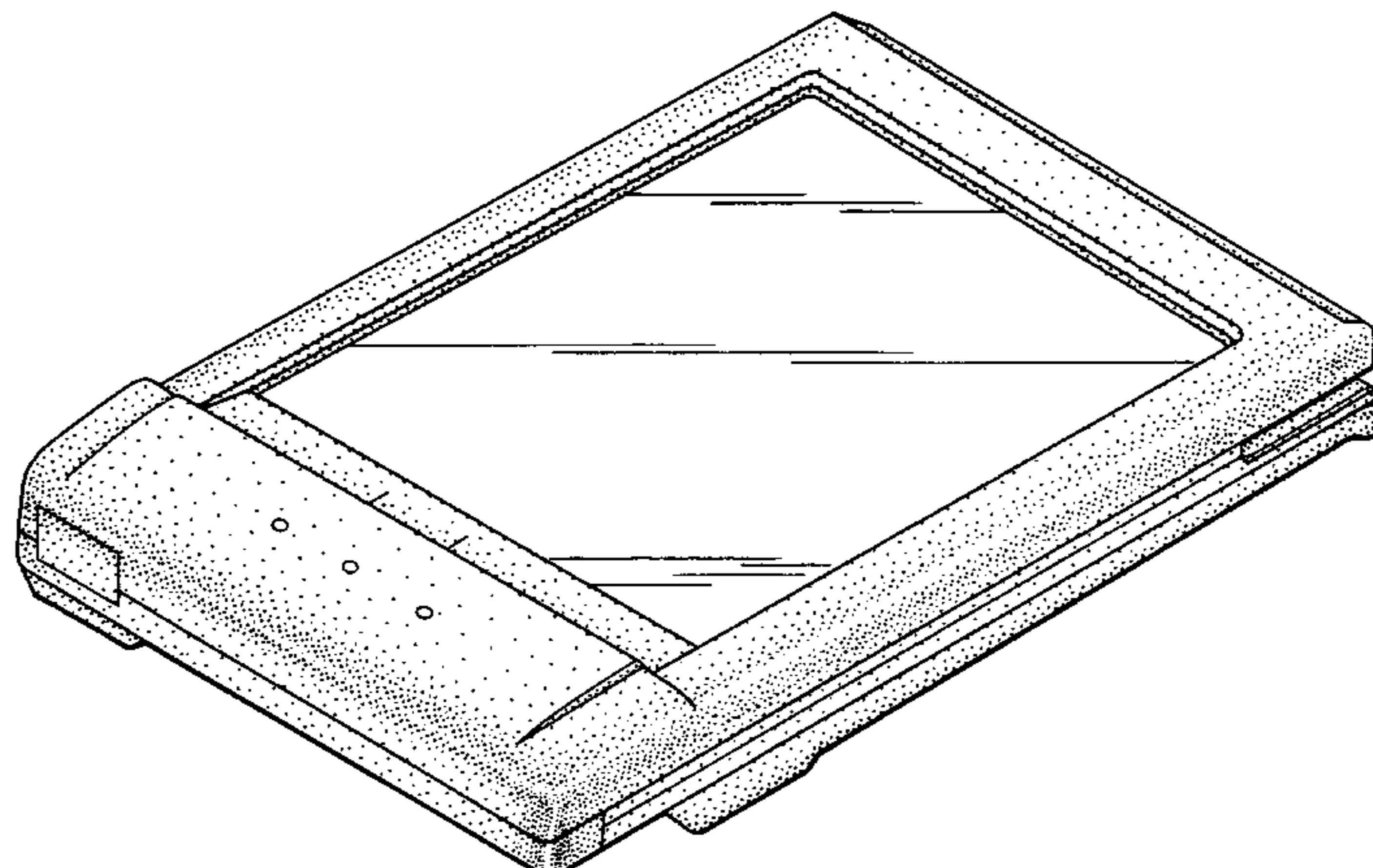
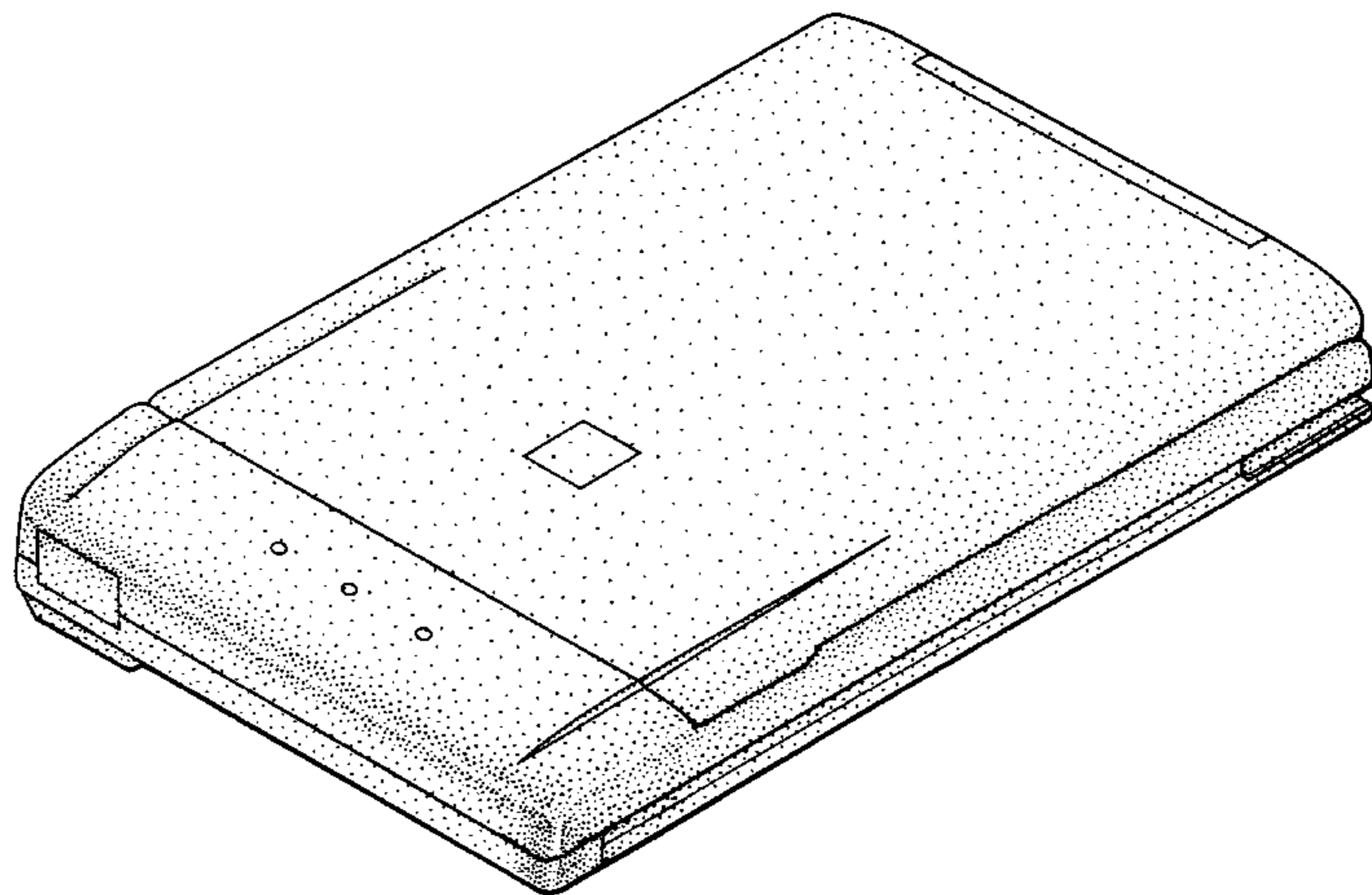
[57] CLAIM

The ornamental design for an electronic computer, as shown and described.

DESCRIPTION

FIG. 1 is a top, front and right side perspective view of an electronic computer according to our design;
 FIG. 2 is a rear elevational view thereof;
 FIG. 3 is a left side elevational view thereof;
 FIG. 4 is a bottom plan view thereof;
 FIG. 5 is a front elevational view thereof;
 FIG. 6 is a right side elevational view thereof;
 FIG. 7 is a top plan view thereof;
 FIG. 8 is a view similar to FIG. 1 illustrating the electronic computer in an open position;
 FIG. 9 is a rear elevational view thereof;
 FIG. 10 is a left side elevational view thereof;
 FIG. 11 is a top plan view thereof;
 FIG. 12 is a front elevational view thereof;
 FIG. 13 is a right side elevational view thereof; and,
 FIG. 14 is a bottom plan view thereof.

1 Claim, 10 Drawing Sheets



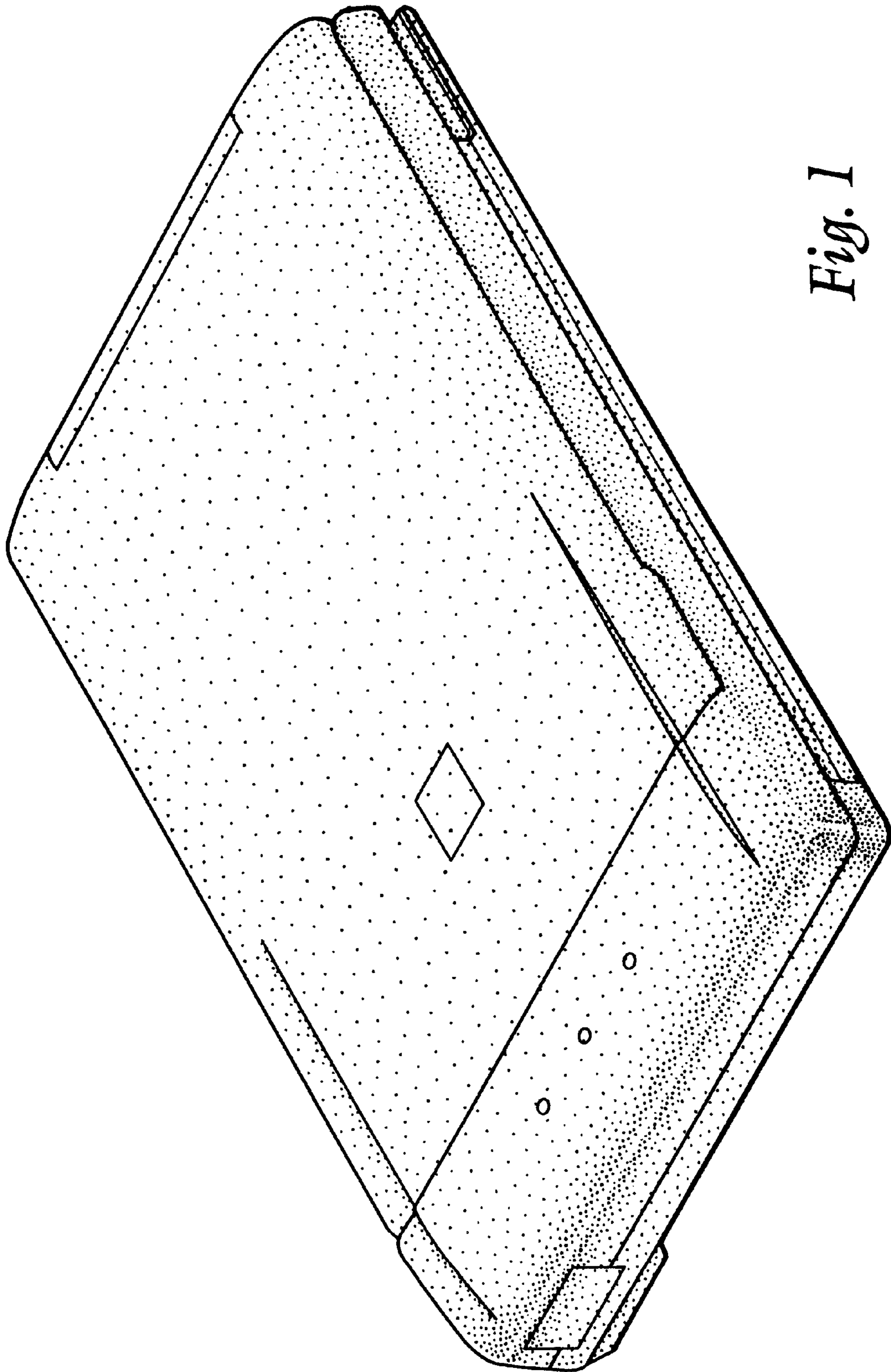


Fig. 1

Fig. 2

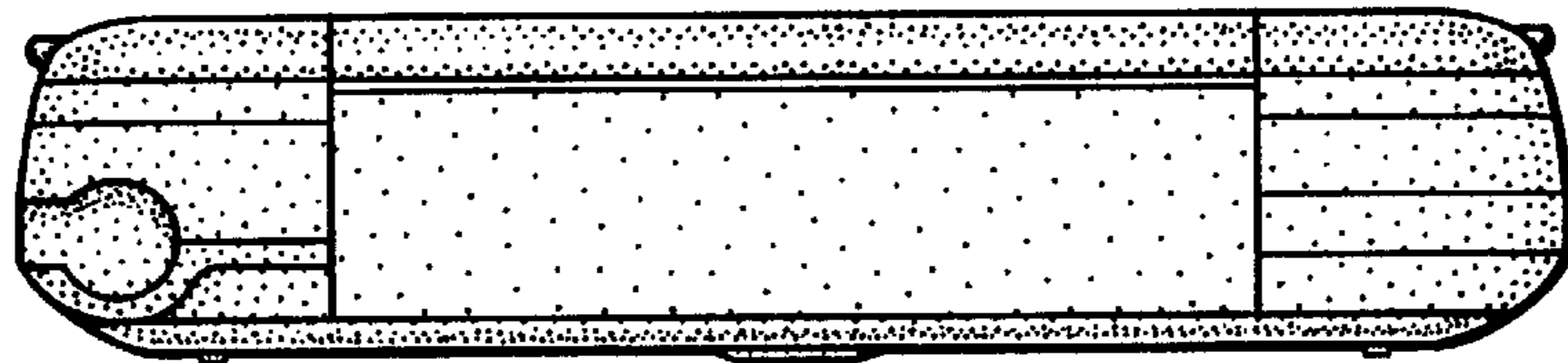
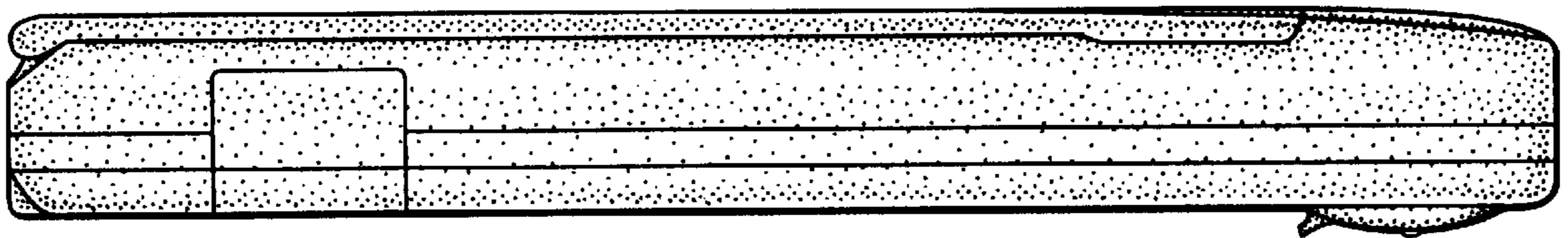


Fig. 3



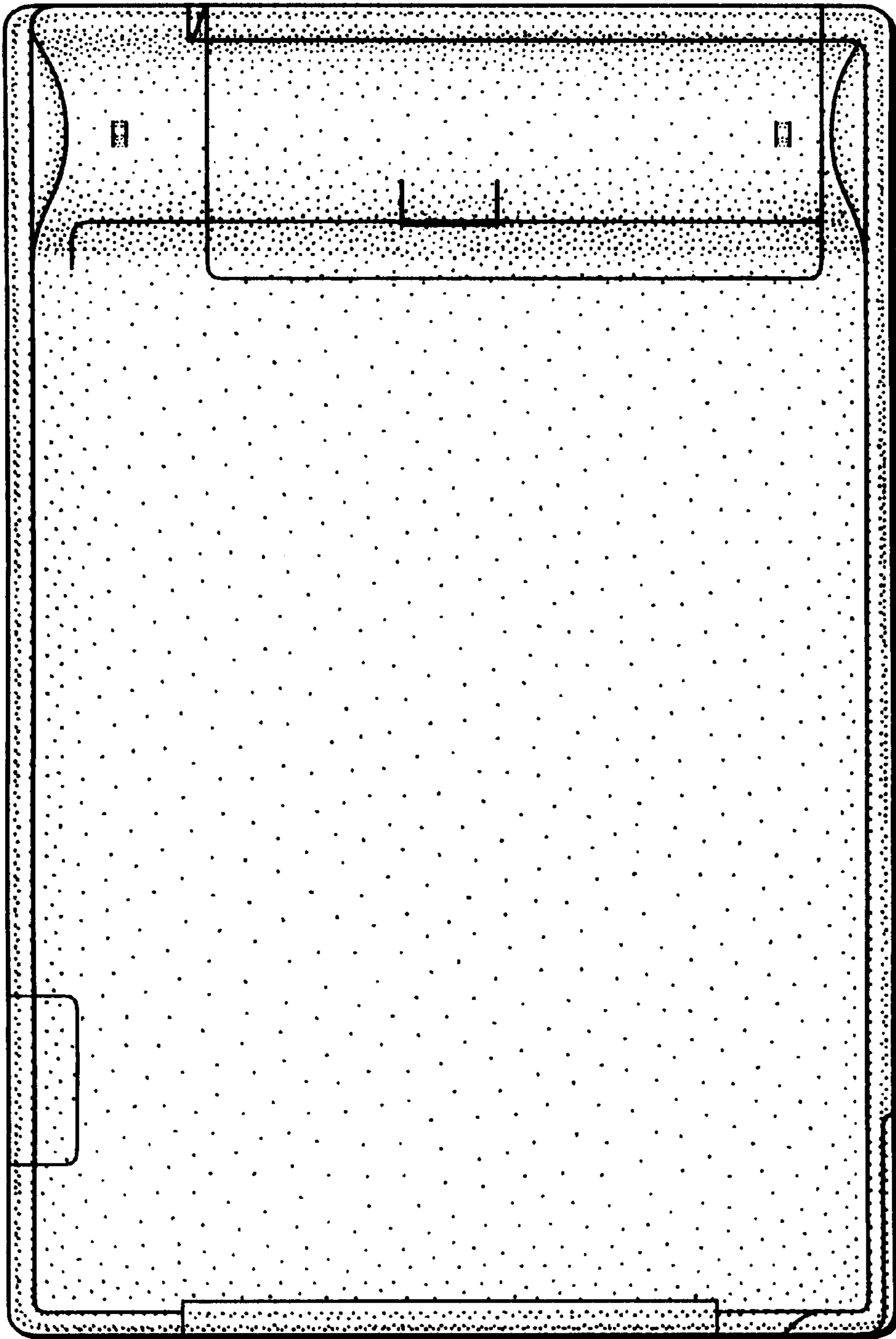


Fig. 4

Fig. 5

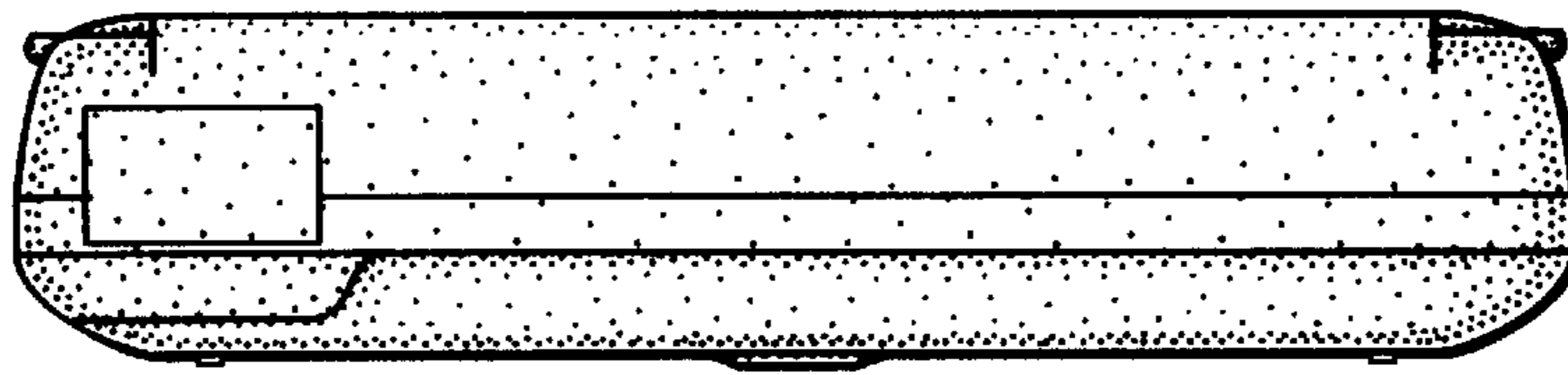
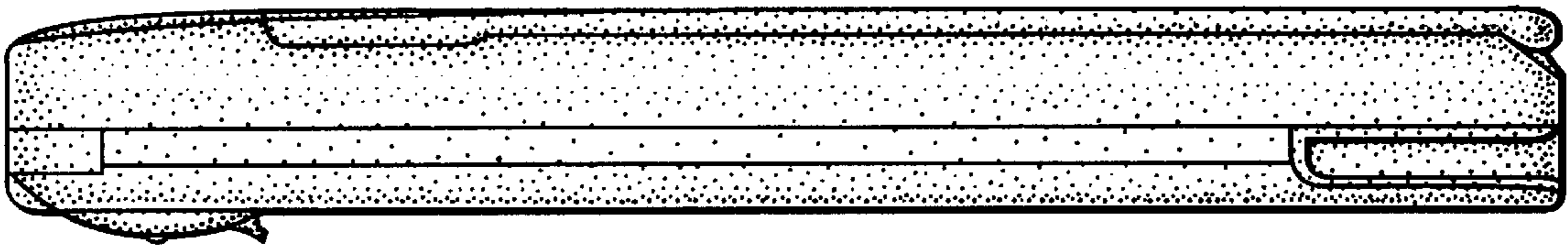


Fig. 6



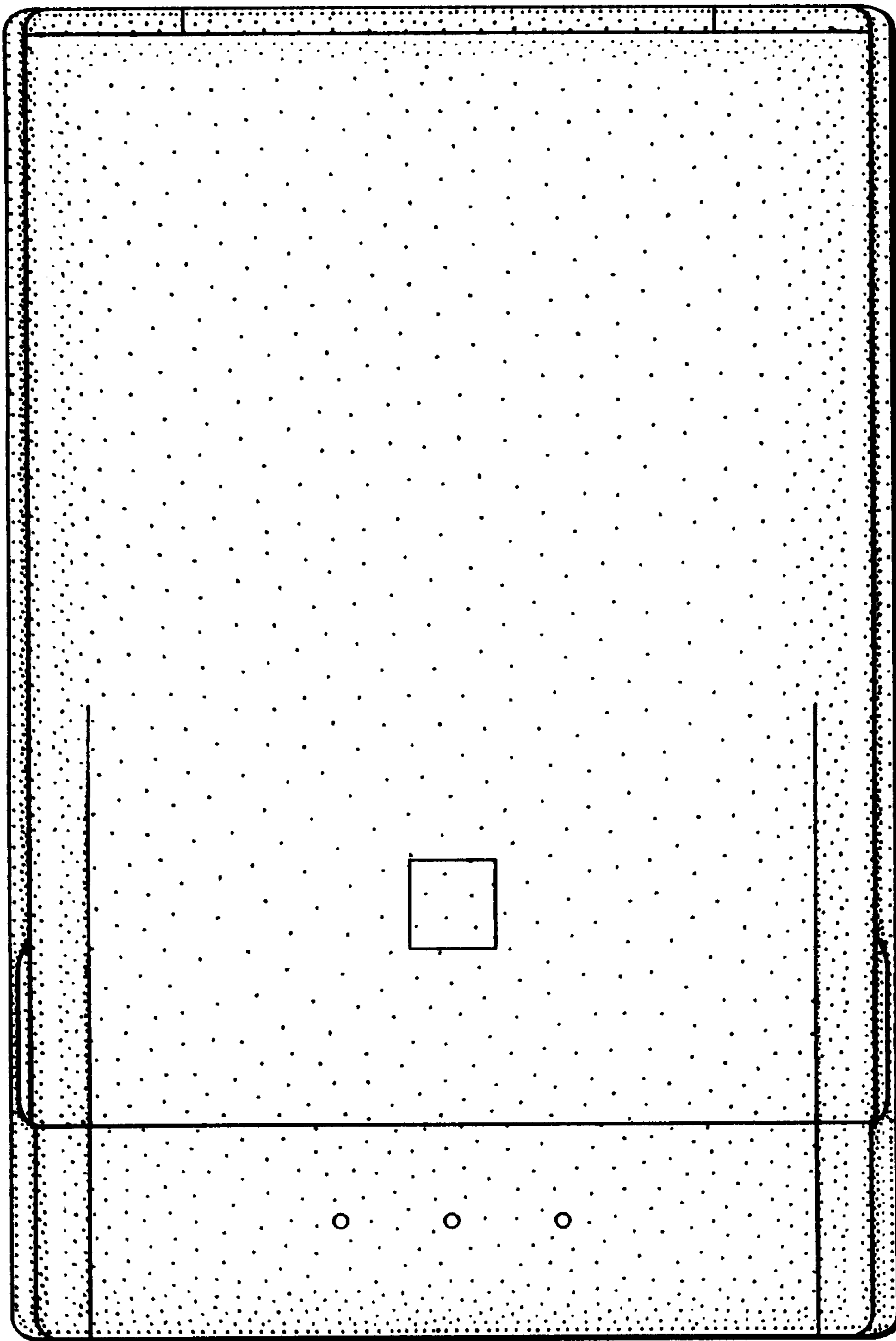


Fig. 7

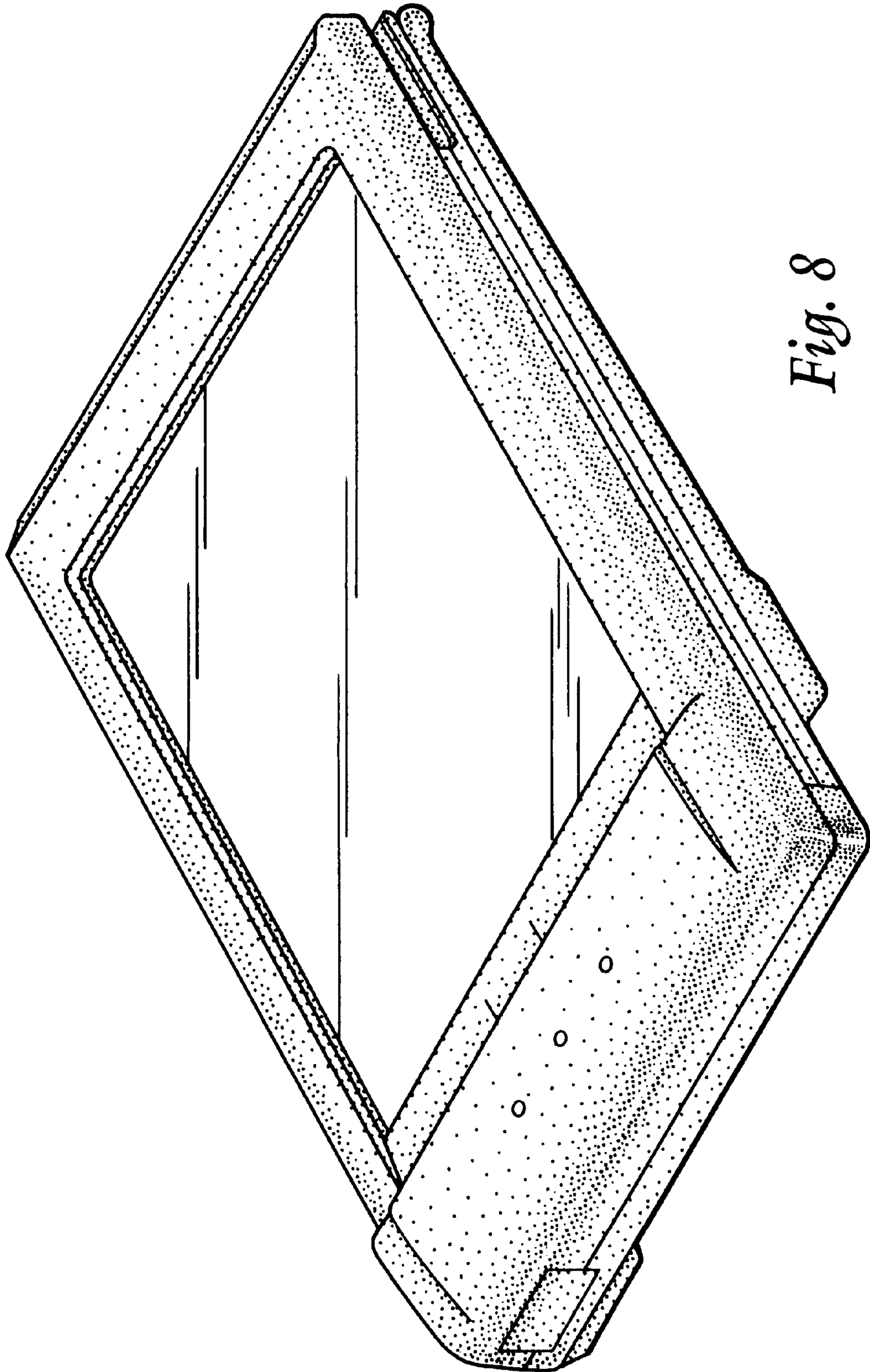


Fig. 8

Fig. 9

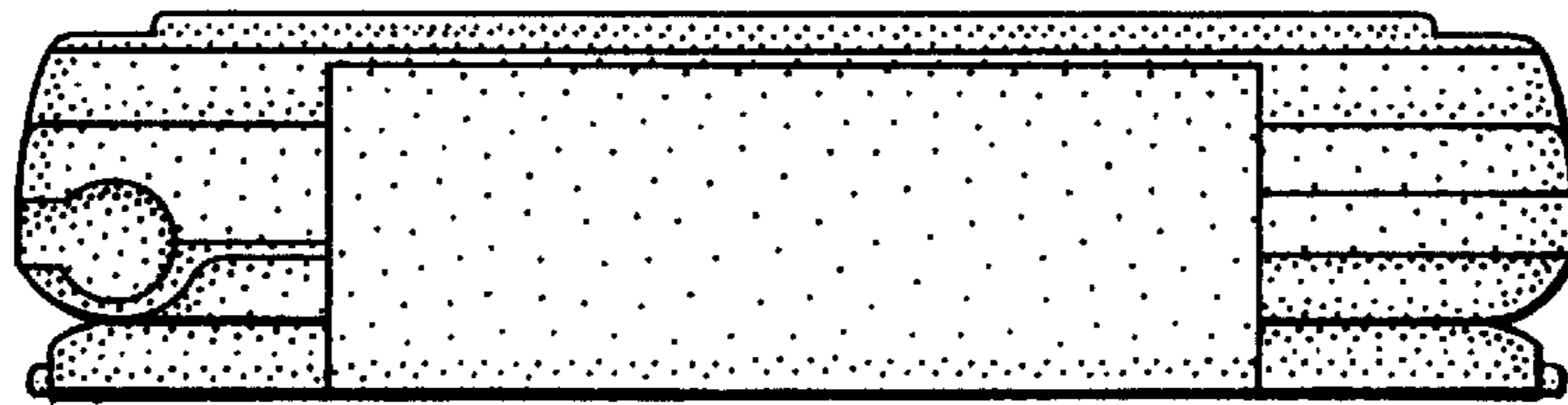
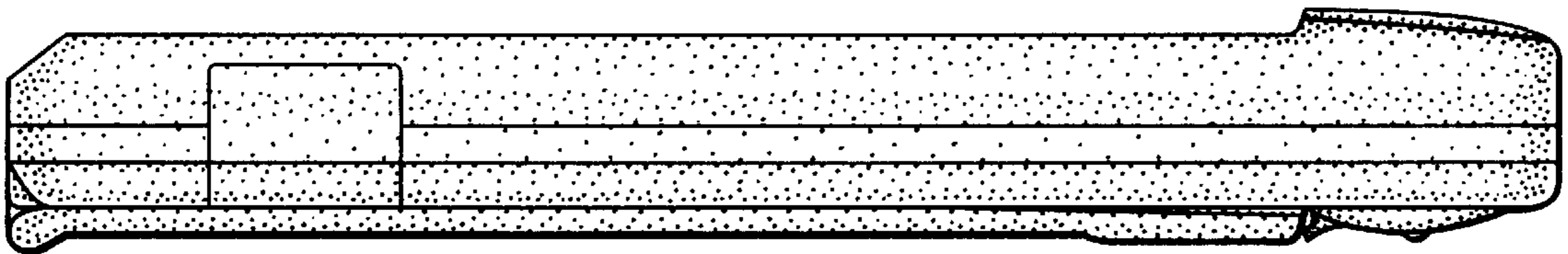


Fig. 10



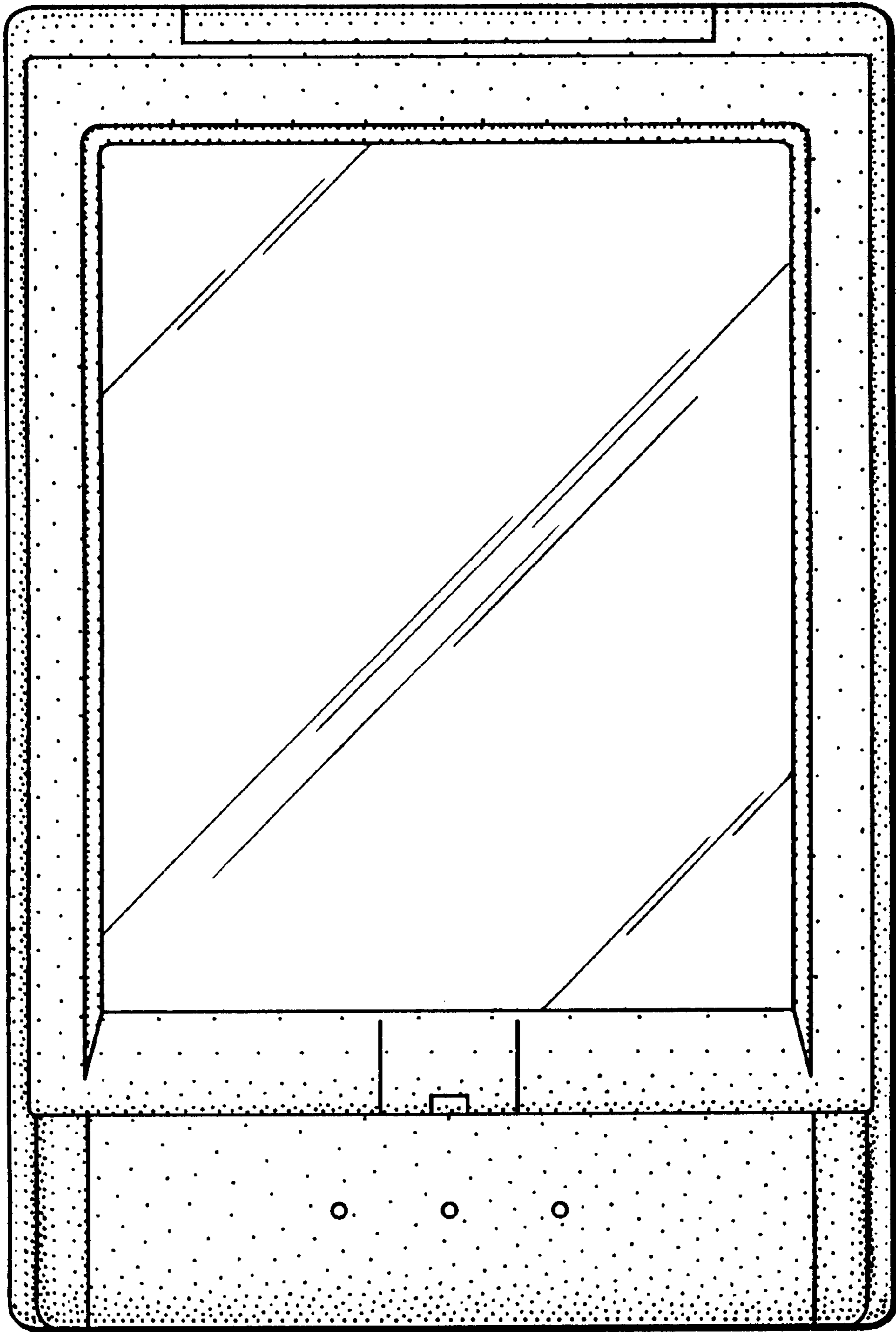


Fig. 11

Fig. 12

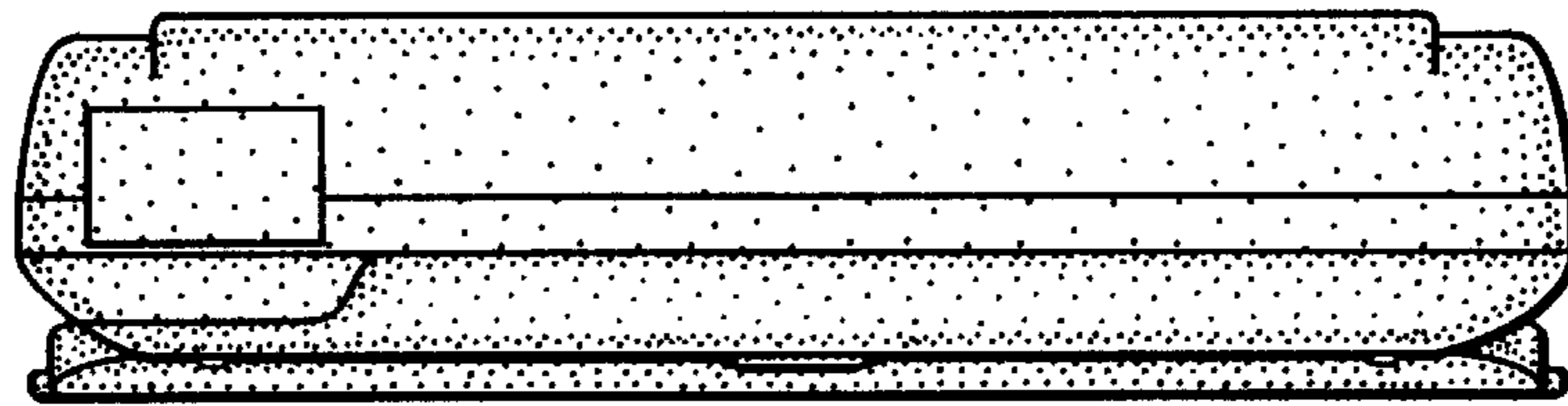
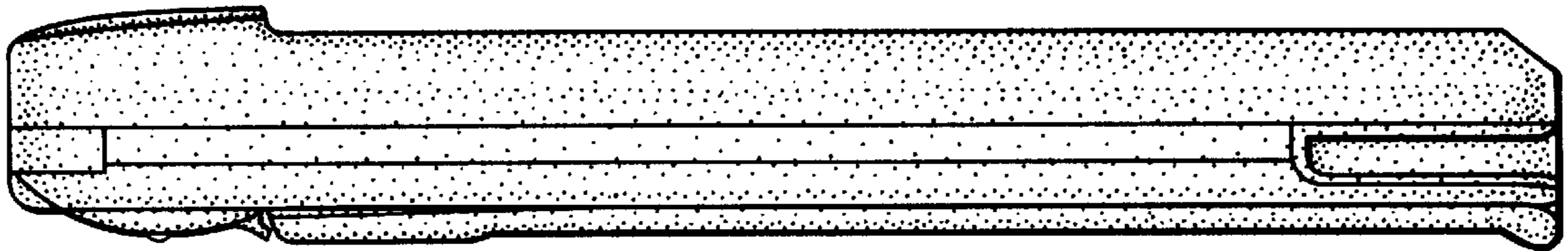


Fig. 13



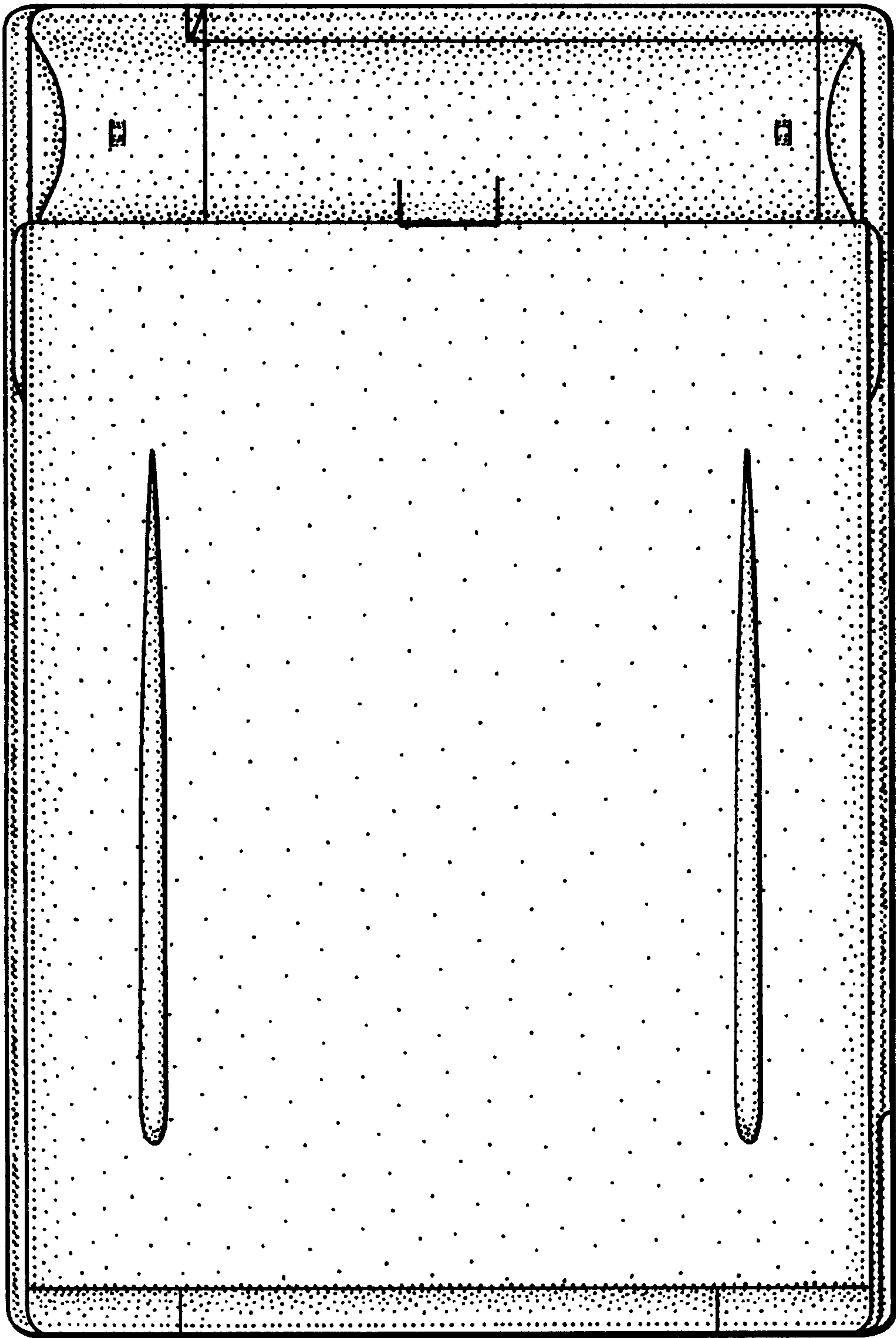


Fig. 14