



US00D411179S

United States Patent [19]

[11] Patent Number: **Des. 411,179**

Toyosato

[45] Date of Patent: **** Jun. 22, 1999**

[54] **MOBILE BODY-WORN COMPUTER**

5,191,197	3/1993	Metlitsky et al.	235/472
5,305,181	4/1994	Schultz	361/680
5,416,730	5/1995	Lookofsky	364/708.1
5,587,577	12/1996	Schultz	235/472

[75] Inventor: **Kazuyuki Toyosato**, Yokohama, Japan

[73] Assignee: **Xybernaut Coporation**, FairFax, Va.

[**] Term: **14 Years**

Primary Examiner—Freda Nunn
Attorney, Agent, or Firm—James J. Ralabate

[21] Appl. No.: **29/082,959**

[57] **CLAIM**

[22] Filed: **Feb. 2, 1998**

The ornamental design for a mobile body-worn computer, as shown and described.

[51] **LOC (6) Cl.** **14-02**

DESCRIPTION

[52] **U.S. Cl.** **D14/100; D14/116**

[58] **Field of Search** D14/100, 105, D14/114, 116; D18/1, 7; 235/472; 368/10; 364/705.07, 708.1; 361/680

FIG. 1 is a top plan view of the mobile body-worn computer showing my new design the bottom plan view being flat and unornamented;

[56] **References Cited**

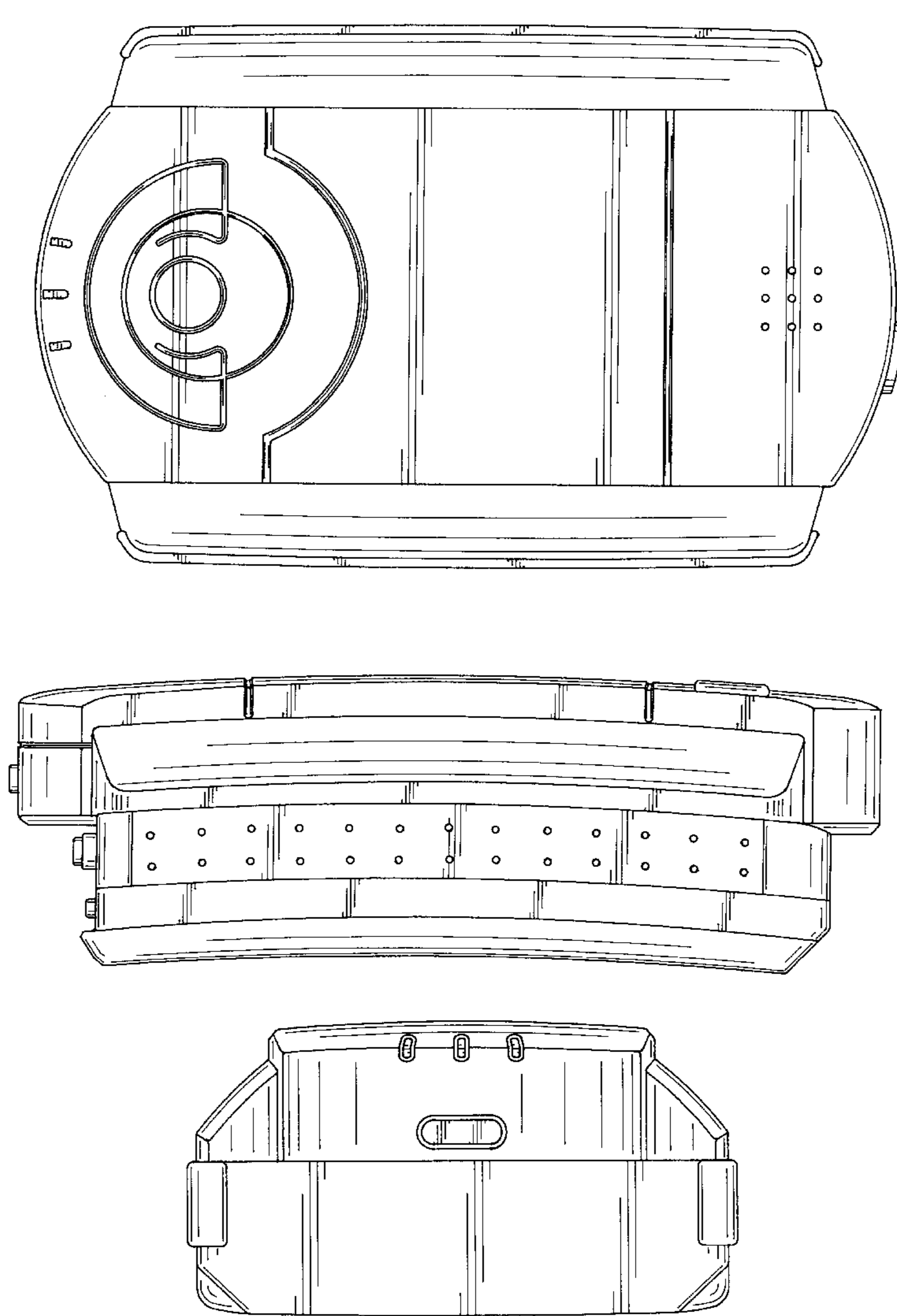
FIG. 2 is a side view thereof the opposite side being a mirror image;

U.S. PATENT DOCUMENTS

D. 342,245	12/1993	Krichever et al.	D14/116
D. 377,345	1/1997	Karlin	D14/116
D. 377,348	1/1997	Karlin	D14/116

FIG. 3 is a front view thereof; and,
FIG. 4 is a rear view thereof.

1 Claim, 3 Drawing Sheets



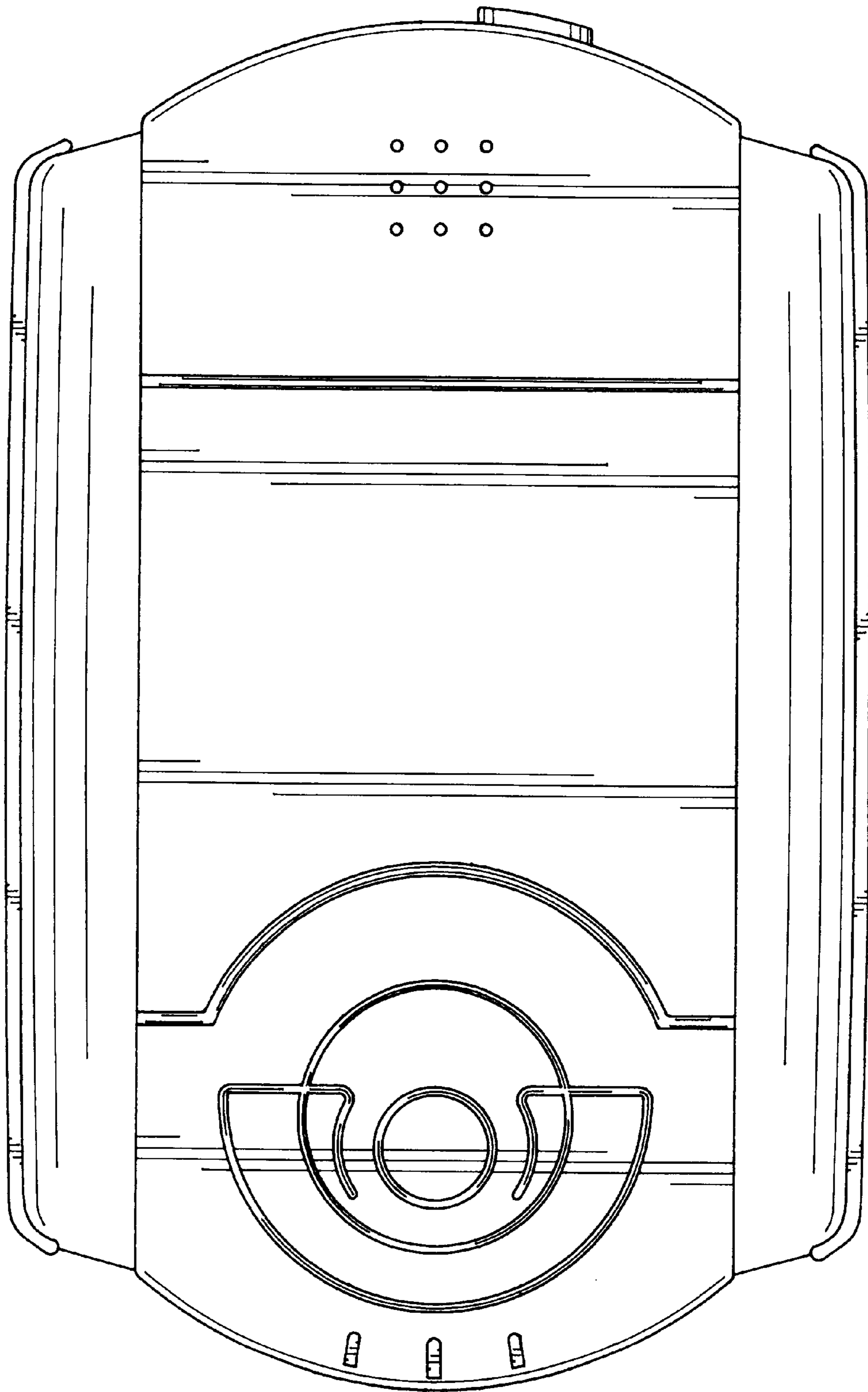


FIG. 1

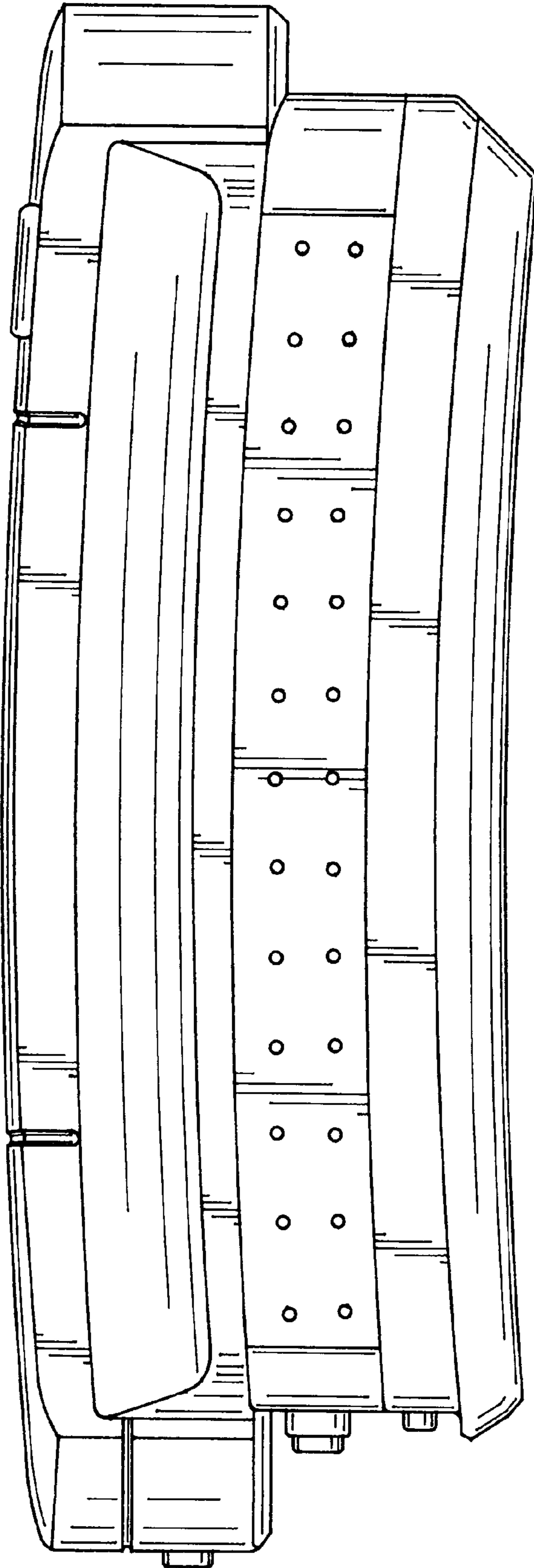


FIG. 2

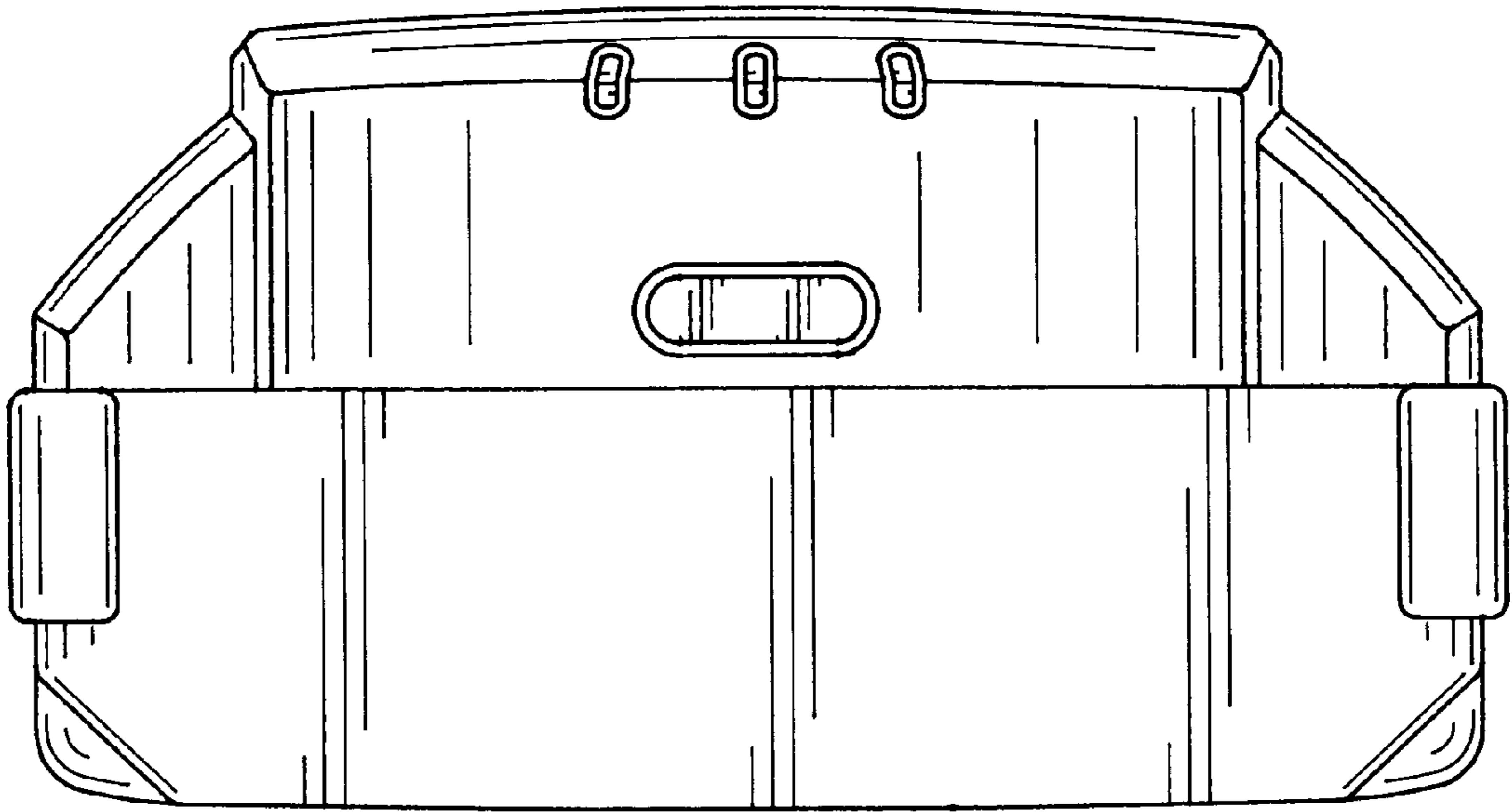


FIG. 3

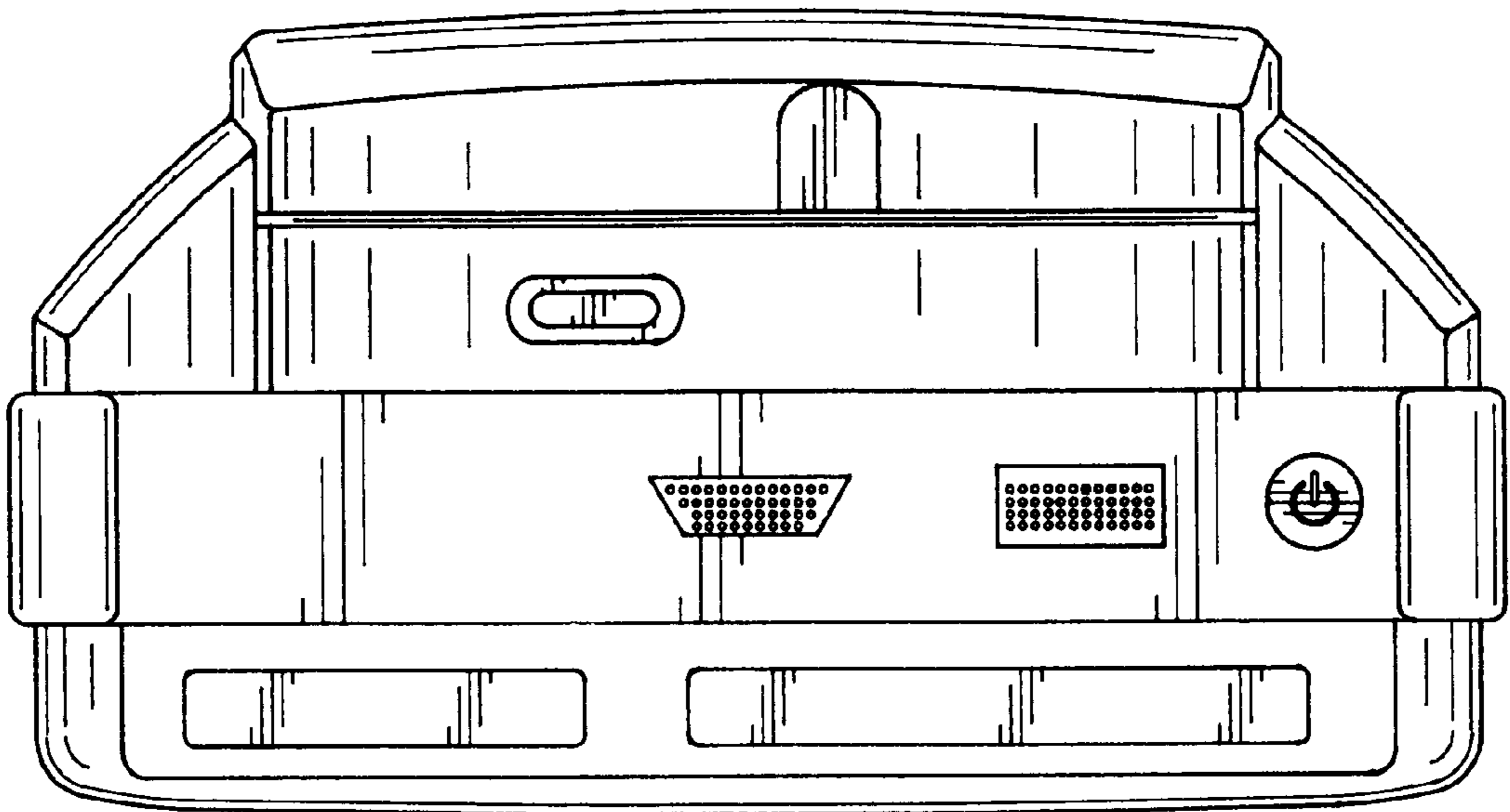


FIG. 4