



US00D411177S

# United States Patent [19]

Solomon

[11] Patent Number: Des. 411,177

[45] Date of Patent: \*\* Jun. 22, 1999

[54] HOUSING FOR MOUNTING, ARRANGING AND SECURING ELECTRICAL POWER LINES TO A COMPUTER

[76] Inventor: Allen Solomon, 2029 E. 17th St., Brooklyn, N.Y. 11229

[\*\*] Term: 14 Years

[21] Appl. No.: 29/074,186

[22] Filed: Jul. 28, 1997

[51] LOC (6) Cl. .... 13-99

[52] U.S. Cl. .... D13/199; D8/356

[58] Field of Search ..... D6/396, 458, 487; 191/12.4; 242/403, 407, 899; 939/501; D13/154, 199; D8/356, 358; 361/826, 683; 248/51; D14/114

### [56] References Cited

#### U.S. PATENT DOCUMENTS

D. 348,760	7/1994	Linder	.....	D6/458	X
3,290,453	12/1966	Jensen	.....	242/407	X
4,471,409	9/1984	Dittrich	.....	361/826	
5,727,745	3/1998	Vara	.....	242/407	X

Primary Examiner—Joel Sincavage

Attorney, Agent, or Firm—Goodman & Teitelbaum, Esqs.

### [57] CLAIM

The ornamental design for a housing for mounting, arranging and securing electrical power lines to a computer, as shown and described.

### DESCRIPTION

FIG. 1 is a front perspective view of a housing for mounting, arranging and securing electrical power lines to a computer, showing my new design;

FIG. 2 is a left side perspective view thereof;

FIG. 3 is a right side perspective view thereof;

FIG. 4 is a rear perspective view thereof;

FIG. 5 is a top perspective view thereof;

FIG. 6 is a bottom perspective view thereof;

FIG. 7 is a front perspective view showing the housing in a contracted narrow arrangement;

FIG. 8 is a front perspective view showing the housing in an expanded wide arrangement; and,

FIG. 9 is a rear perspective view showing the housing in an open position.

The broken line showings of a computer and an outlet power strip in the FIGURES are for illustrative purposes only and form no part of the claimed design.

1 Claim, 9 Drawing Sheets

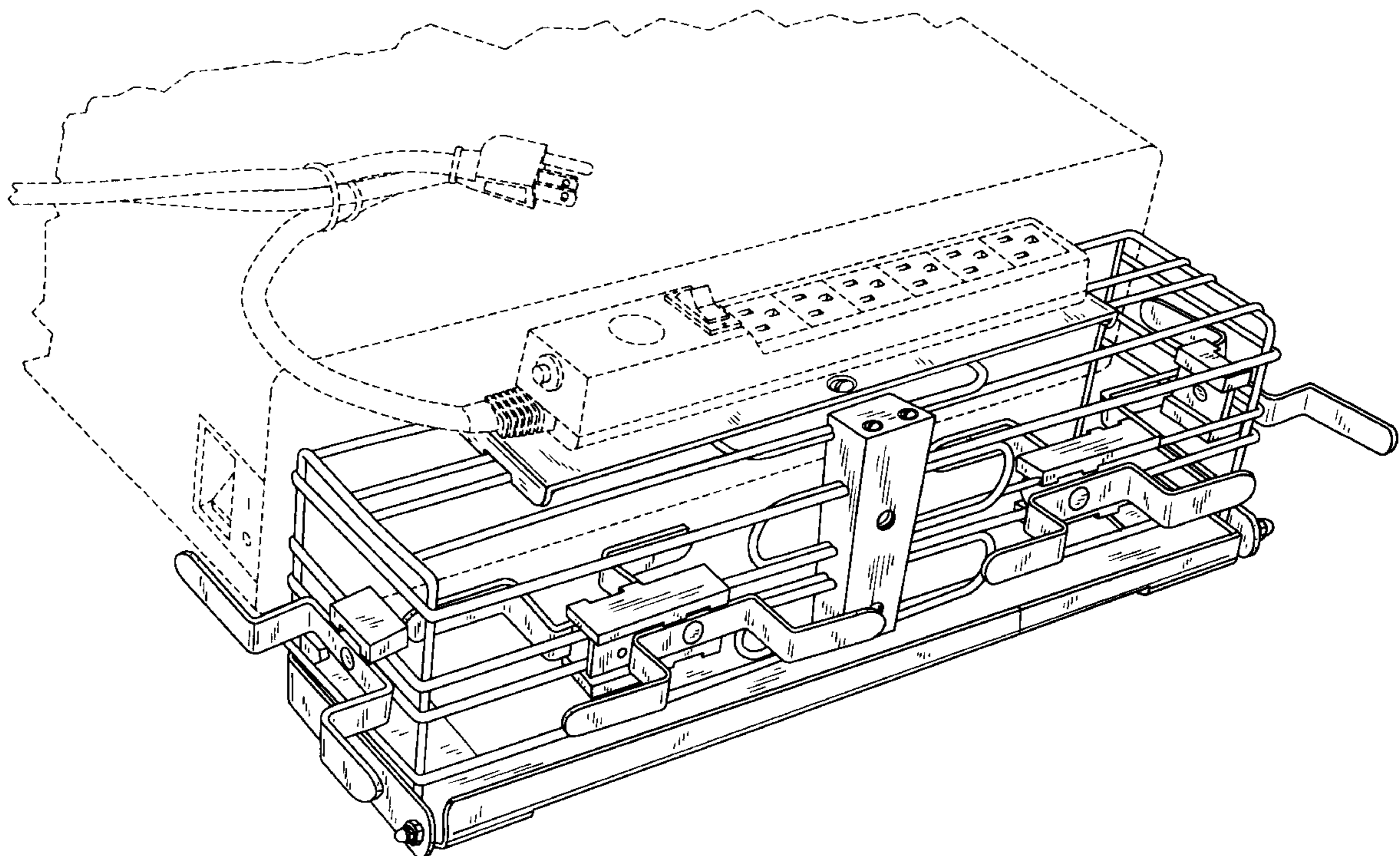


FIG.1

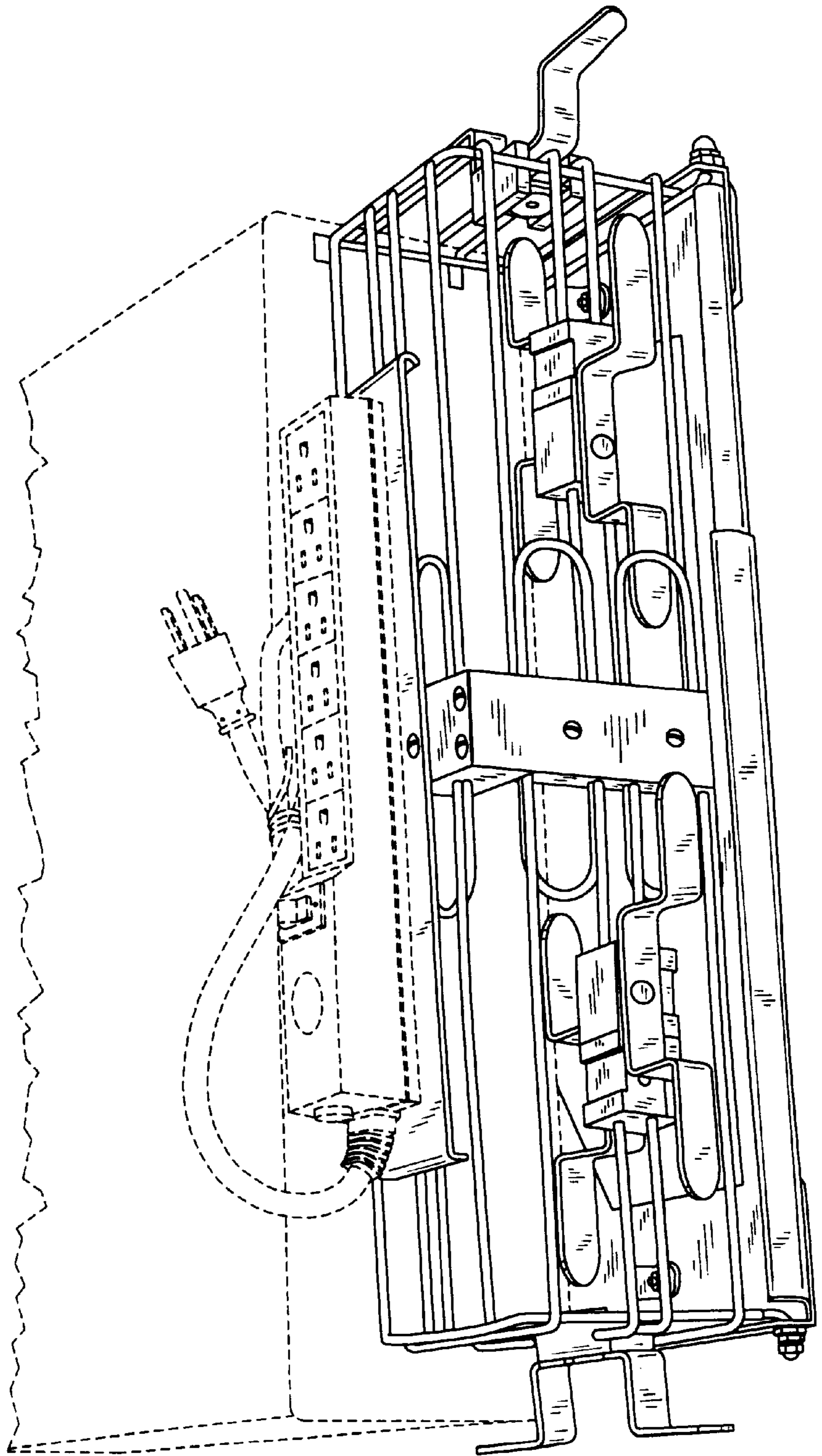


FIG.2

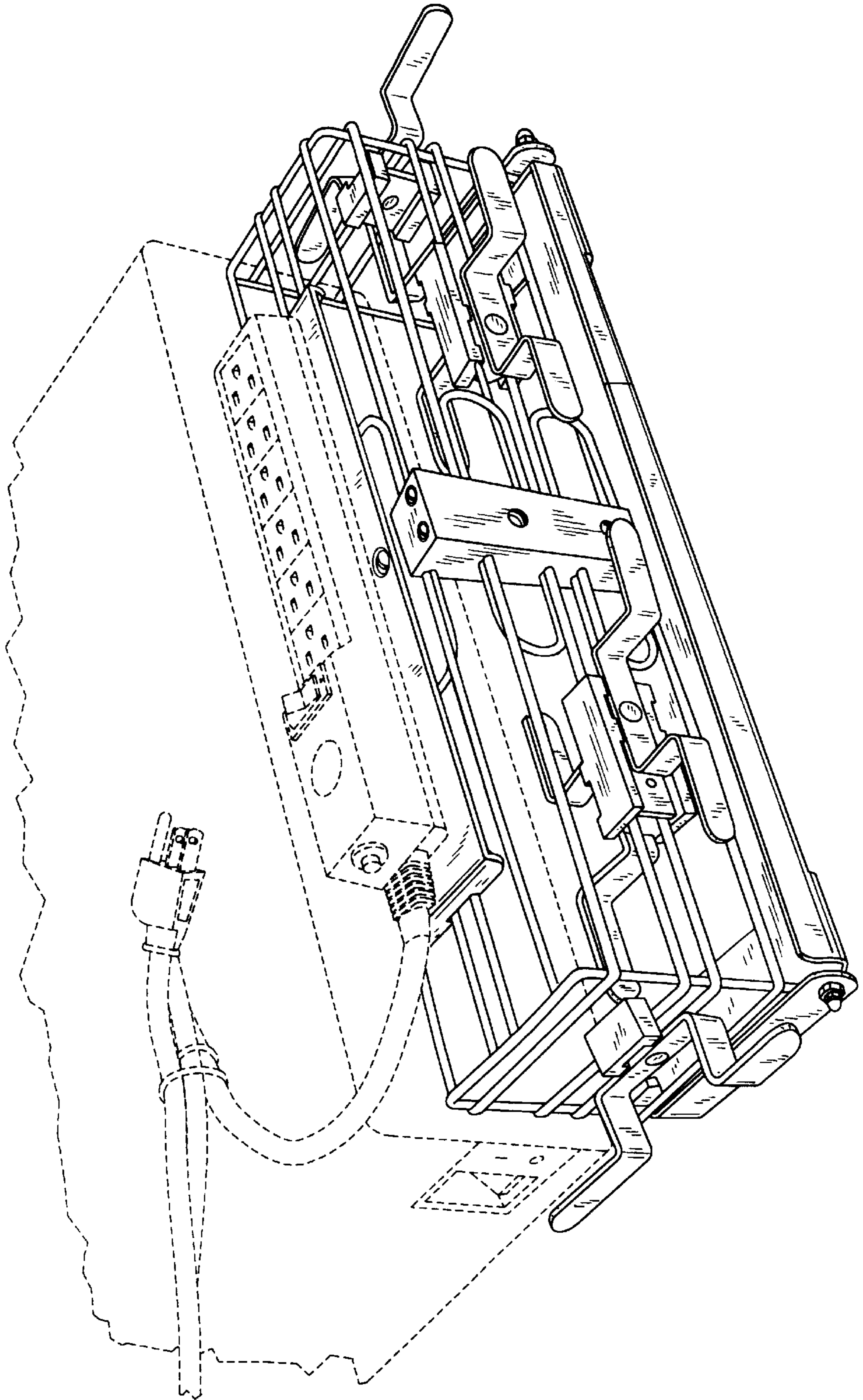


FIG.3

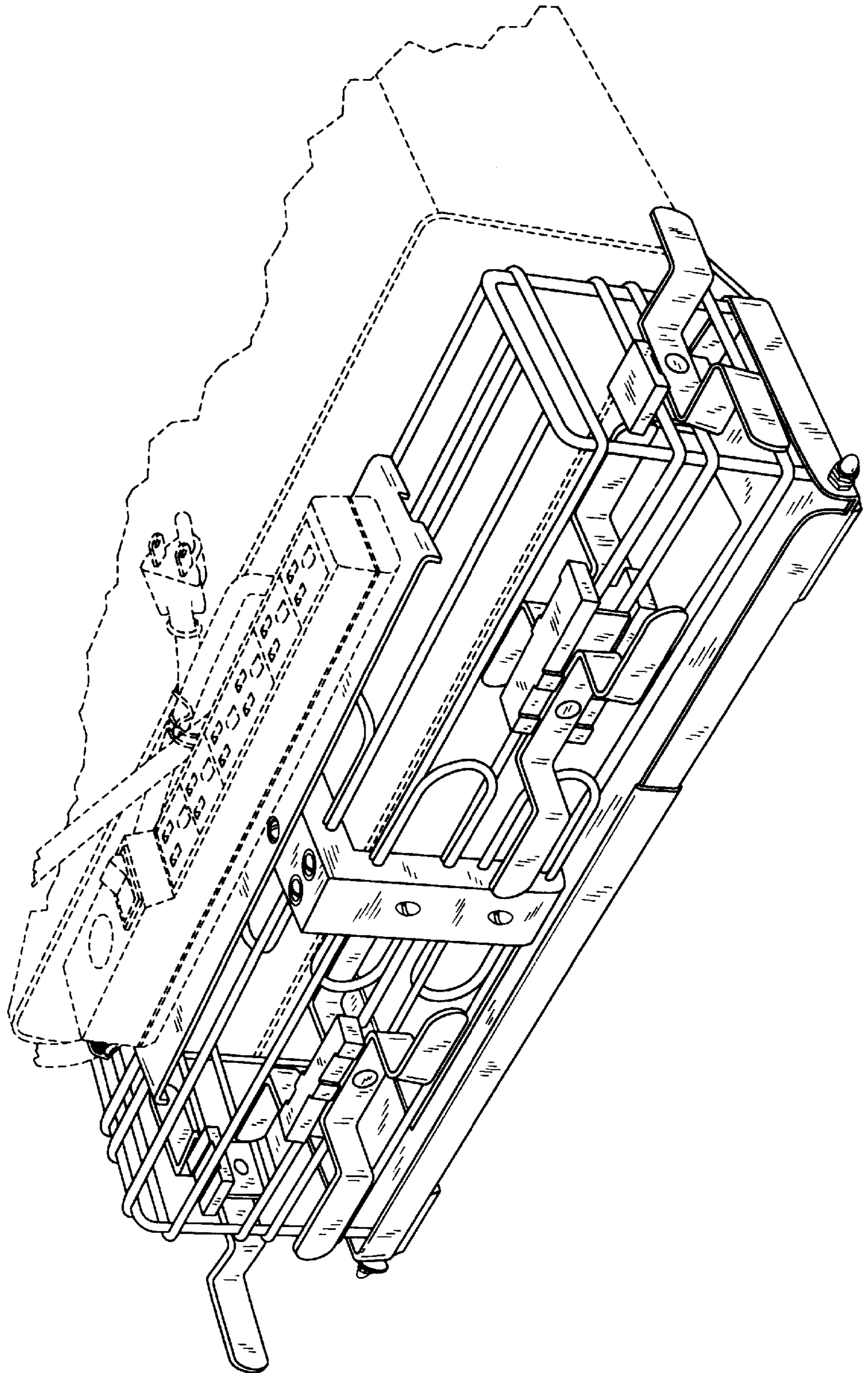


FIG.4

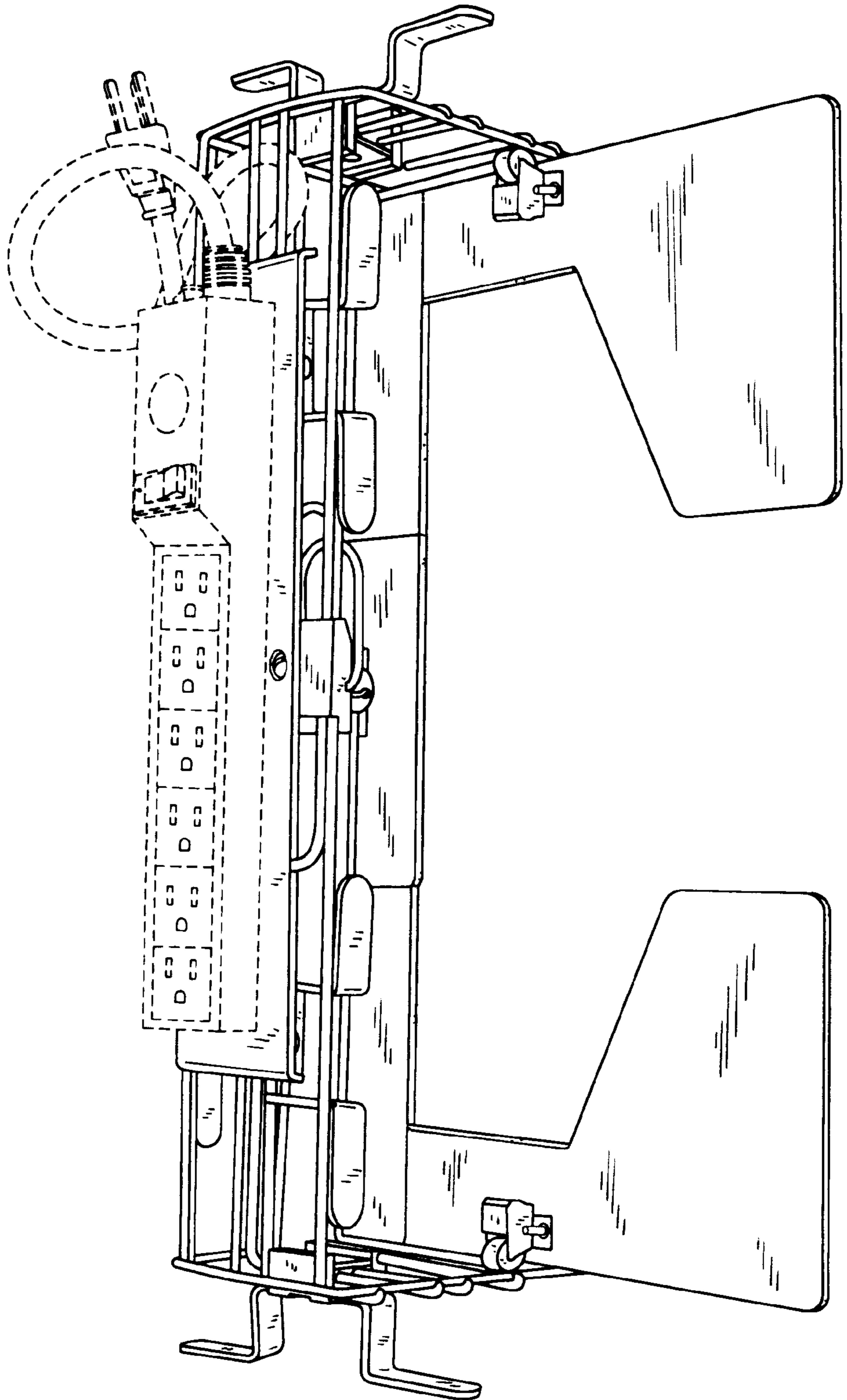


FIG.5

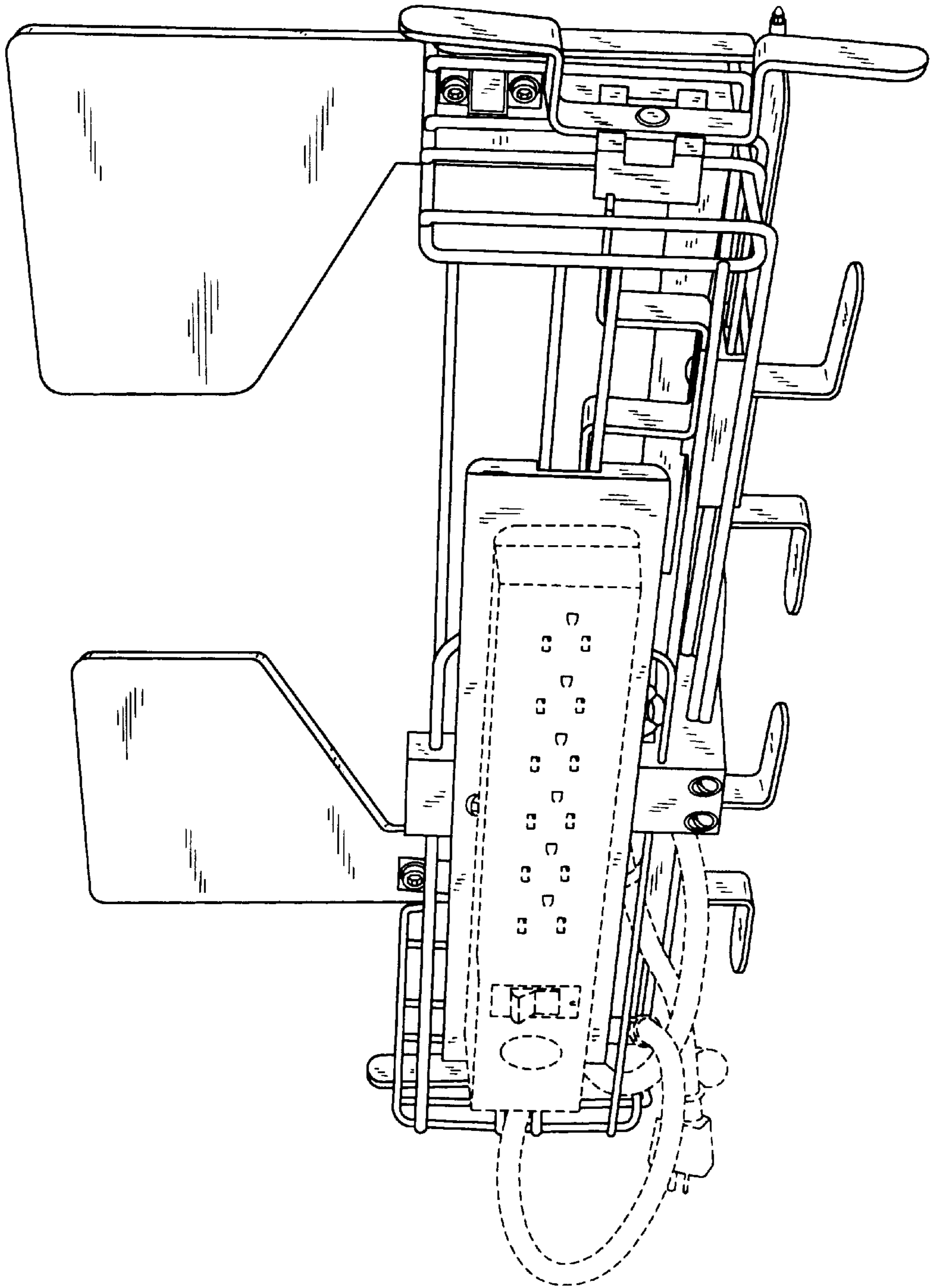


FIG.6

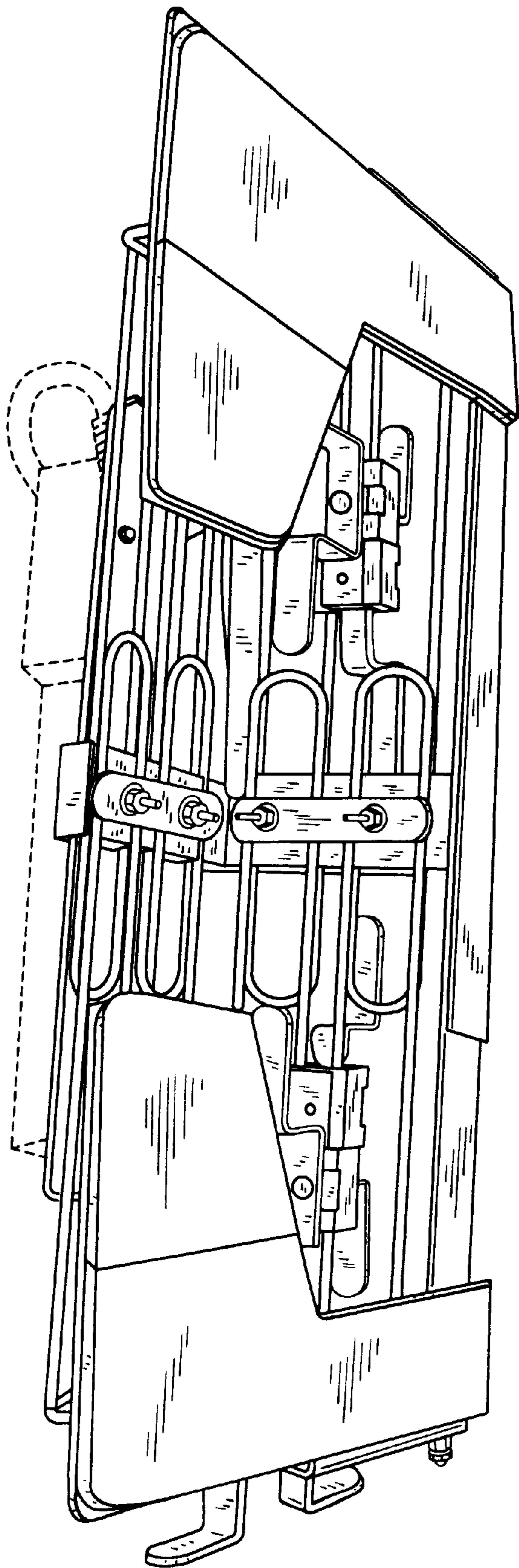


FIG. 7

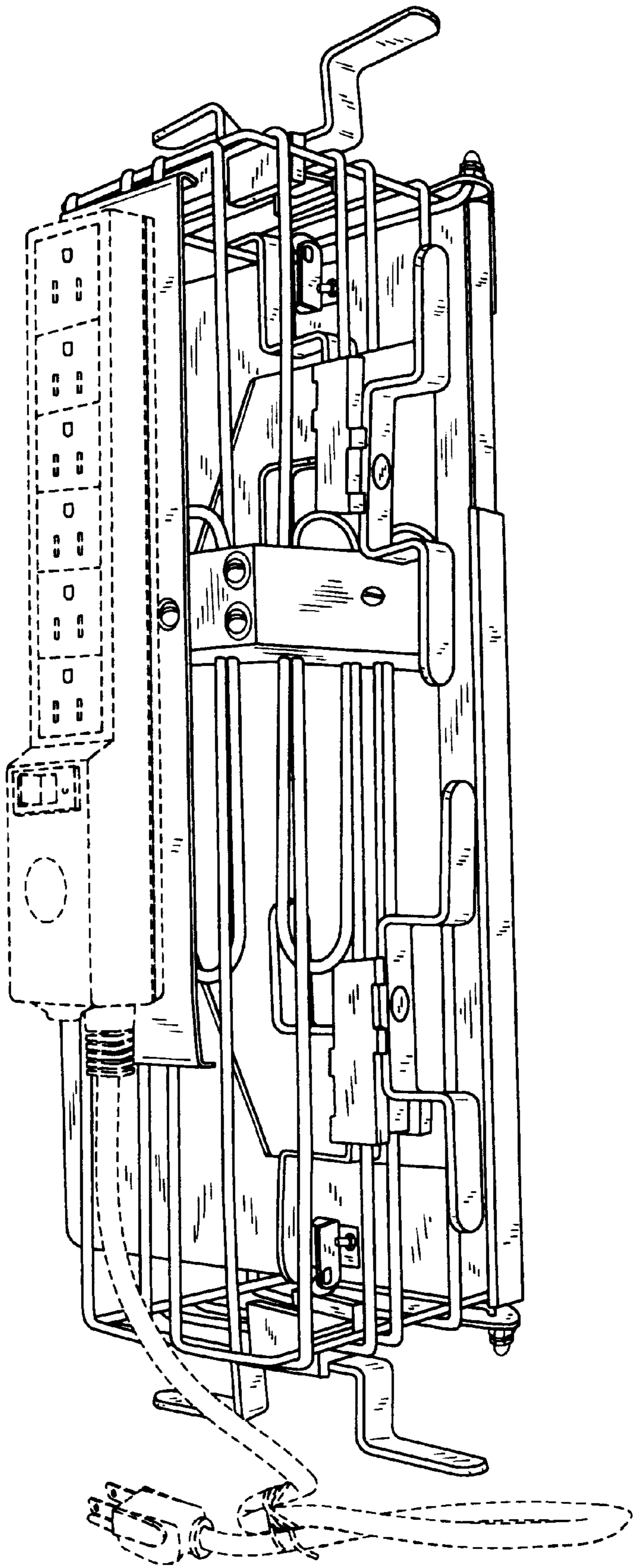




FIG. 8

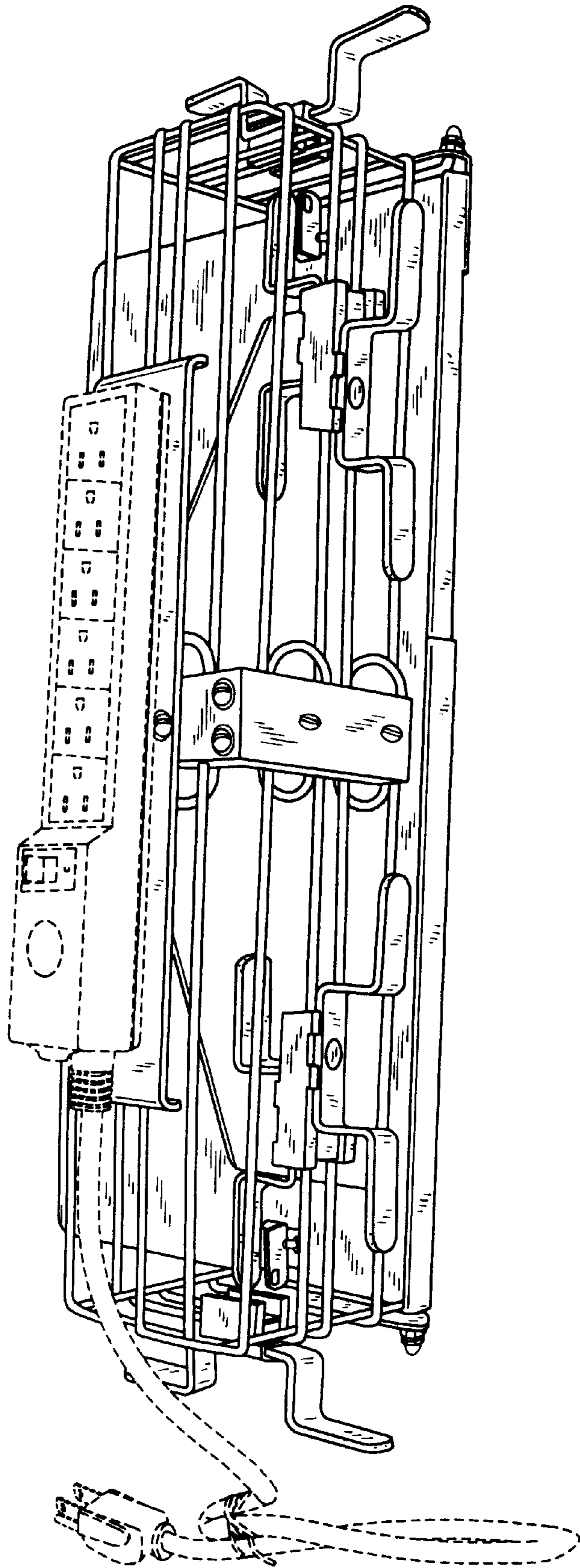


FIG. 9

