



US00D411174S

United States Patent [19] Huang

[11] Patent Number: **Des. 411,174**

[45] Date of Patent: **** Jun. 22, 1999**

[54] **MULTI-POST ELECTRICAL CONNECTOR**

5,336,109 8/1994 Hillbish et al. 439/540.1
5,733,143 3/1998 Ward et al. 439/541.5

[75] Inventor: **Wayne Huang**, Alhambra, Calif.

Primary Examiner—Joel Sincavage

[73] Assignee: **Hon Hai Precision Ind. Co., Ltd.**,
Taipei Hsien, Taiwan

[57] **CLAIM**

[**] Term: **14 Years**

The ornamental design for a multi-port electrical connector,
as shown.

[21] Appl. No.: **29/087,641**

DESCRIPTION

[22] Filed: **May 6, 1998**

FIG. 1 is a perspective front view of a multi-port electrical
connector showing my new design.

[51] **LOC (6) Cl.** **13-03**

FIG. 2 is a perspective rear view thereof;

[52] **U.S. Cl.** **D13/147**

FIG. 3 is a front elevational view thereof;

[58] **Field of Search** D13/146, 147;
439/78, 79, 540.1, 541.5, 607

FIG. 4 is a rear elevational view thereof;

FIG. 5 is a right side elevational view thereof;

FIG. 6 is a left side elevational view thereof;

FIG. 7 is a top plan view thereof; and,

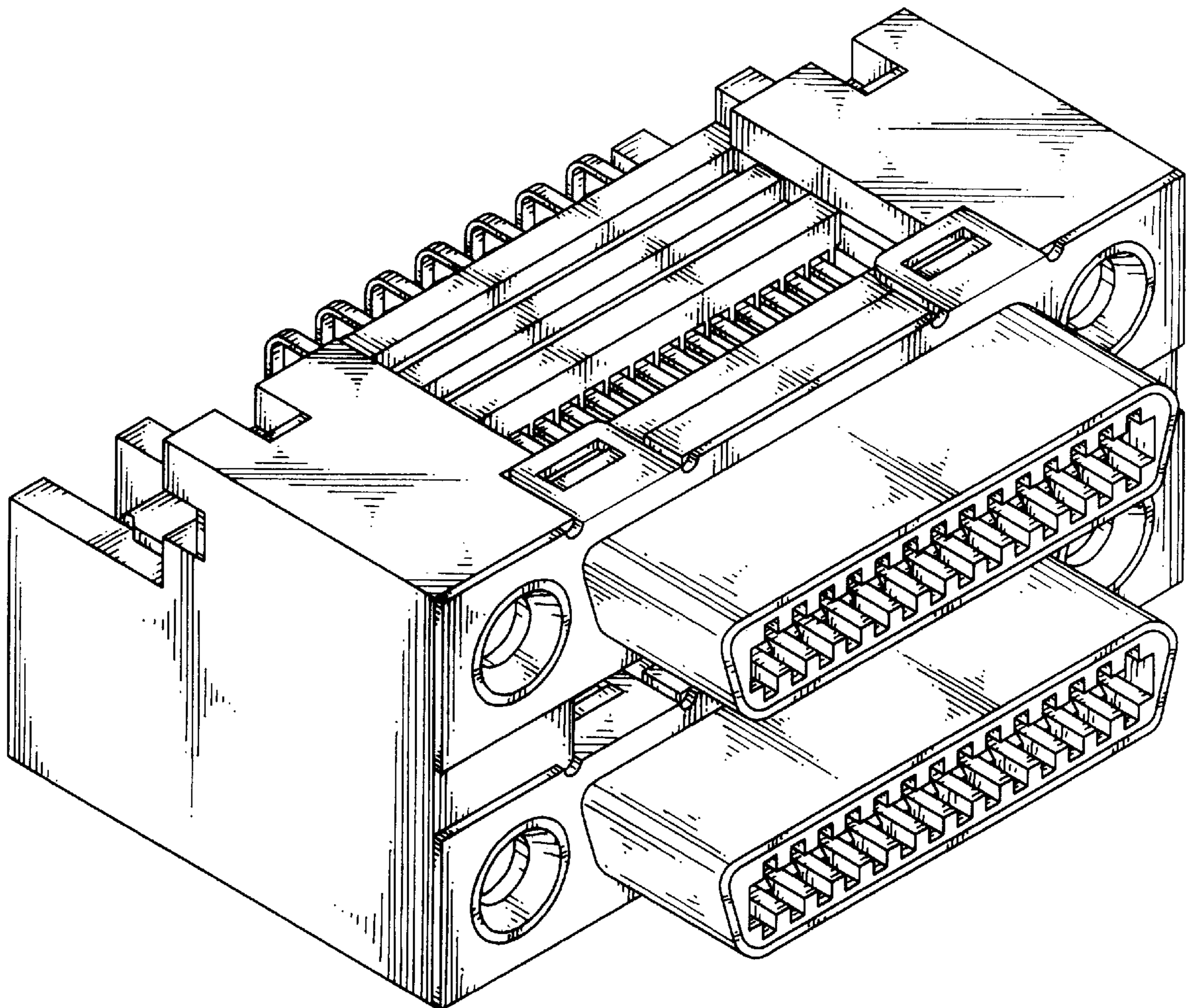
FIG. 8 is a bottom plan view thereof.

[56] **References Cited**

U.S. PATENT DOCUMENTS

5,219,294 6/1993 Marsh et al. 439/79
5,267,876 12/1993 Rupert et al. 439/540.1

1 Claim, 8 Drawing Sheets



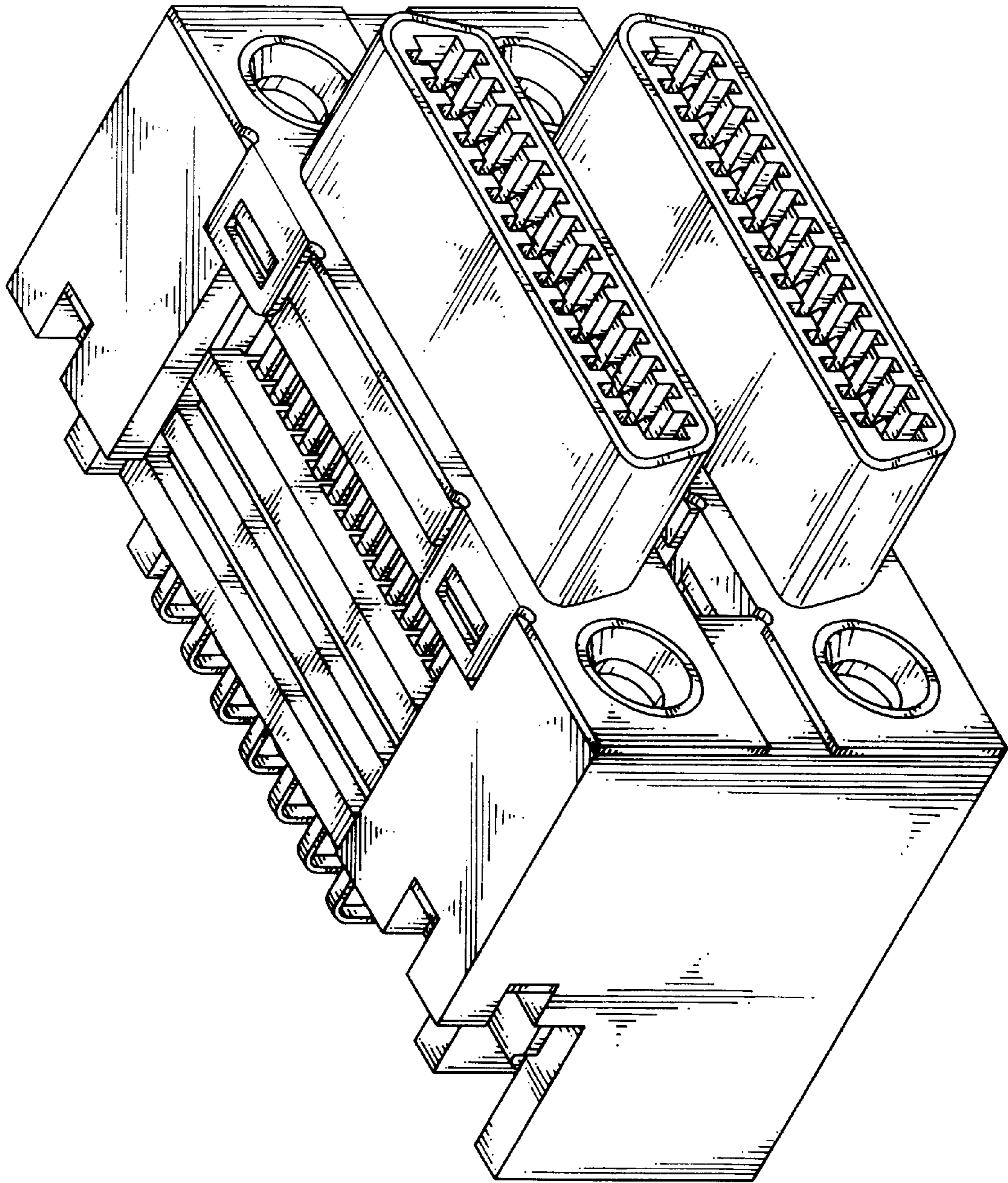


FIG.1

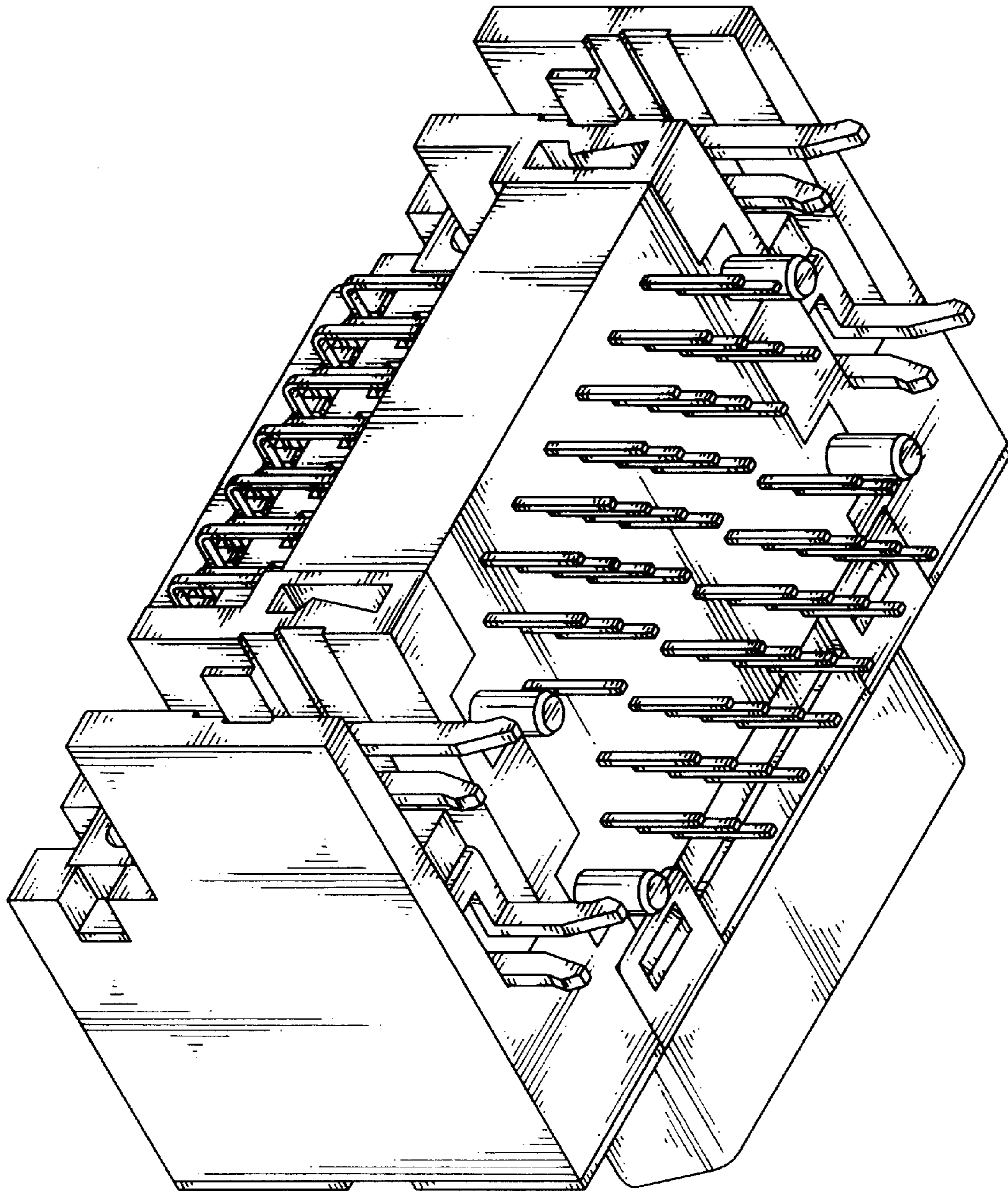


FIG. 2

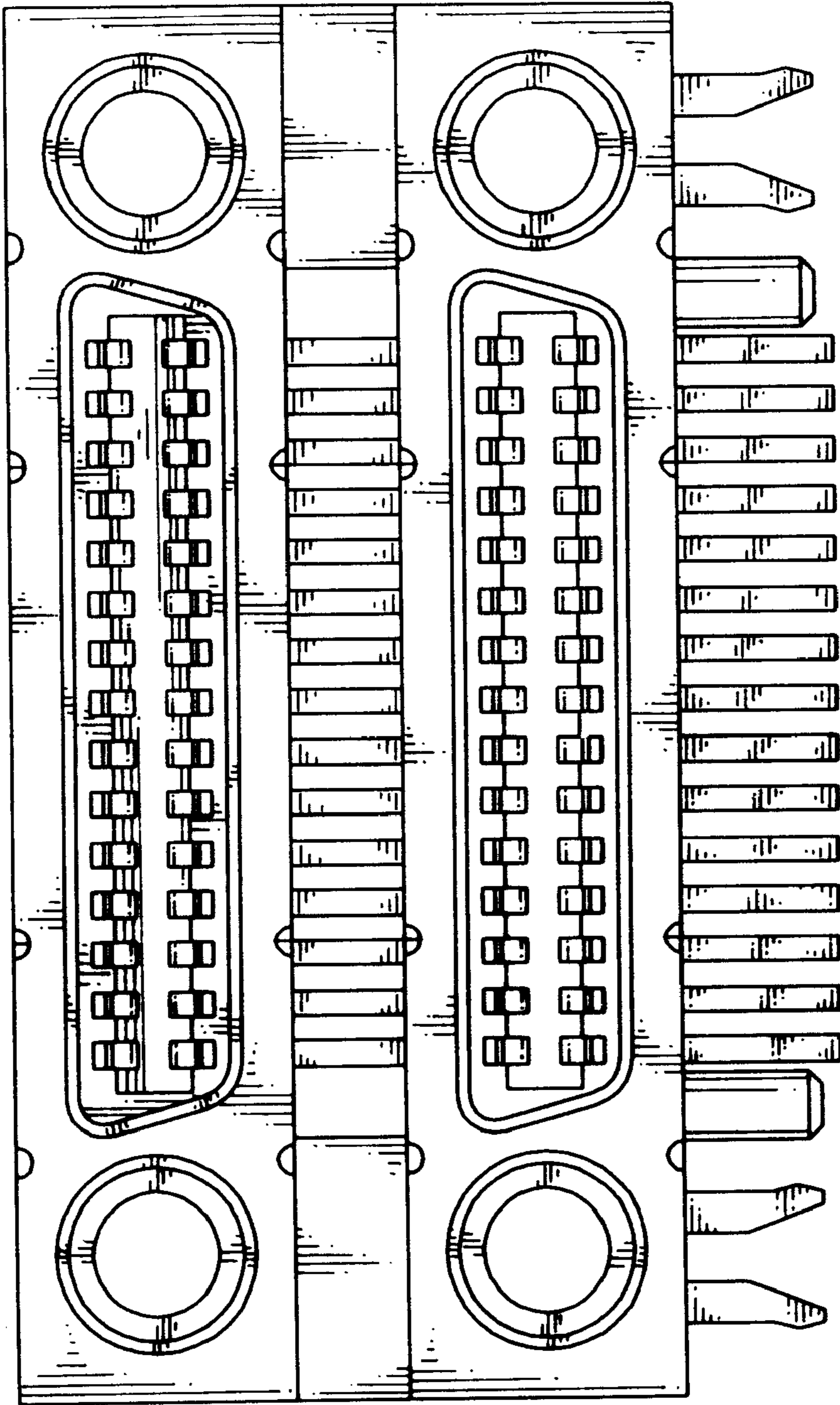


FIG. 3

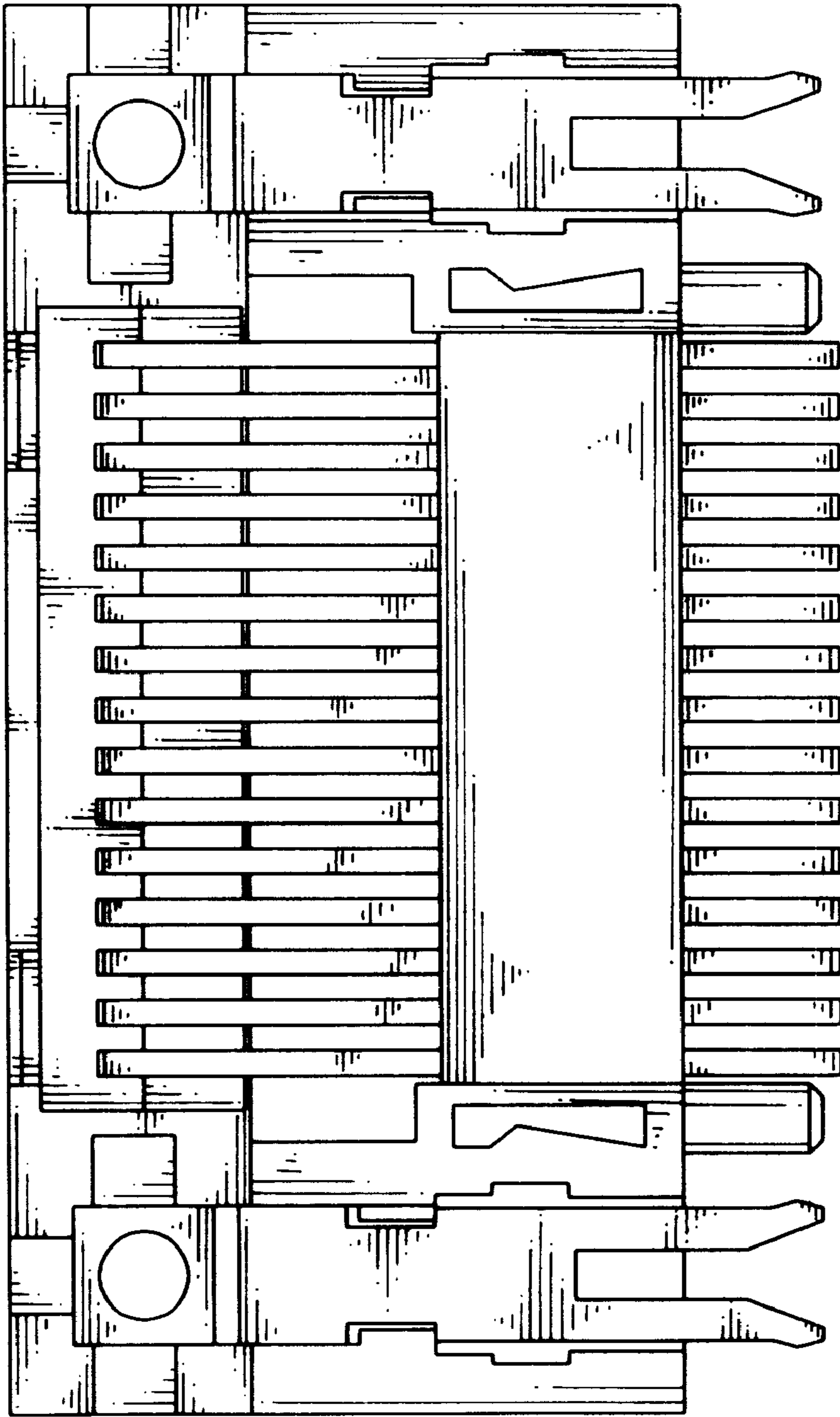


FIG. 4

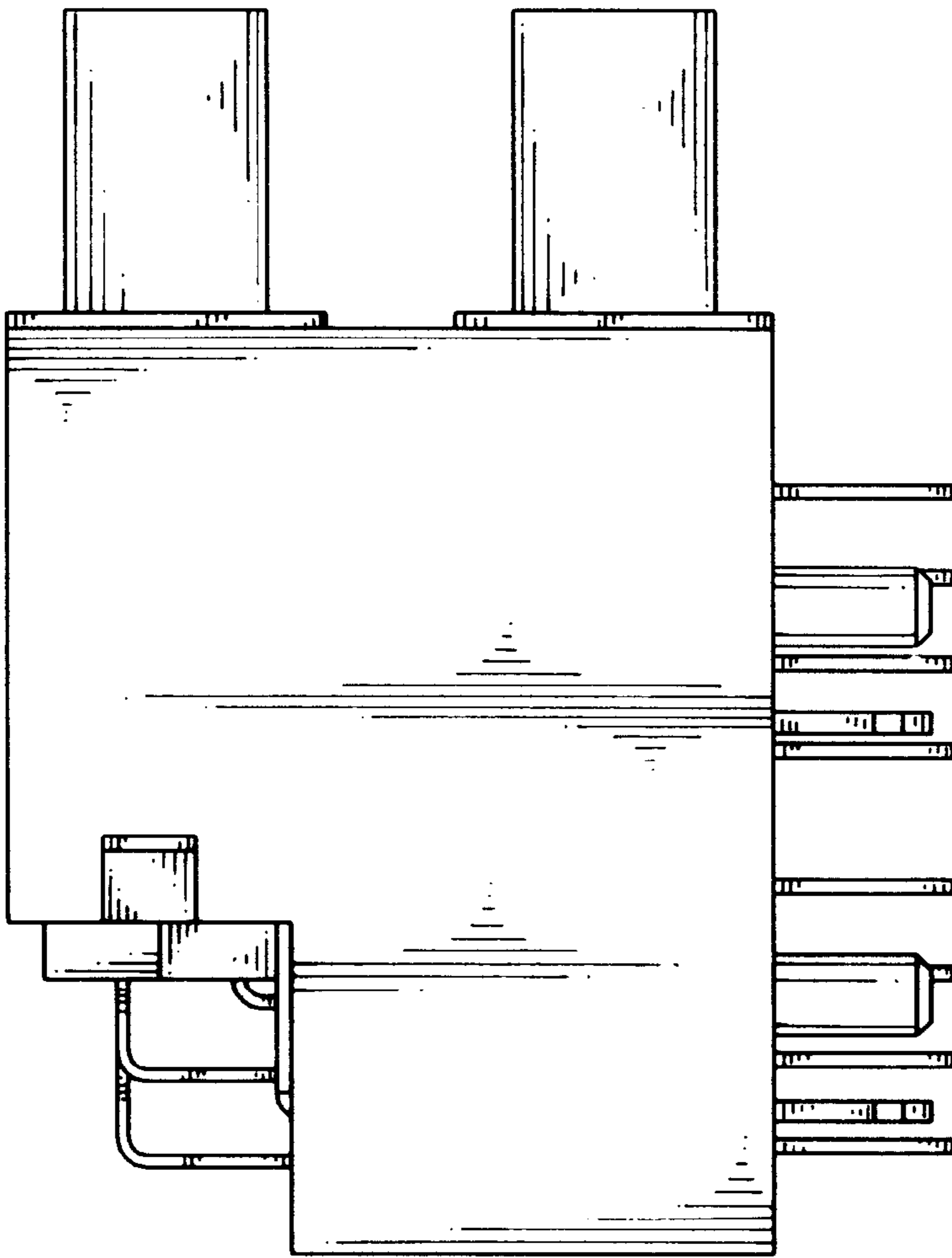


FIG. 5

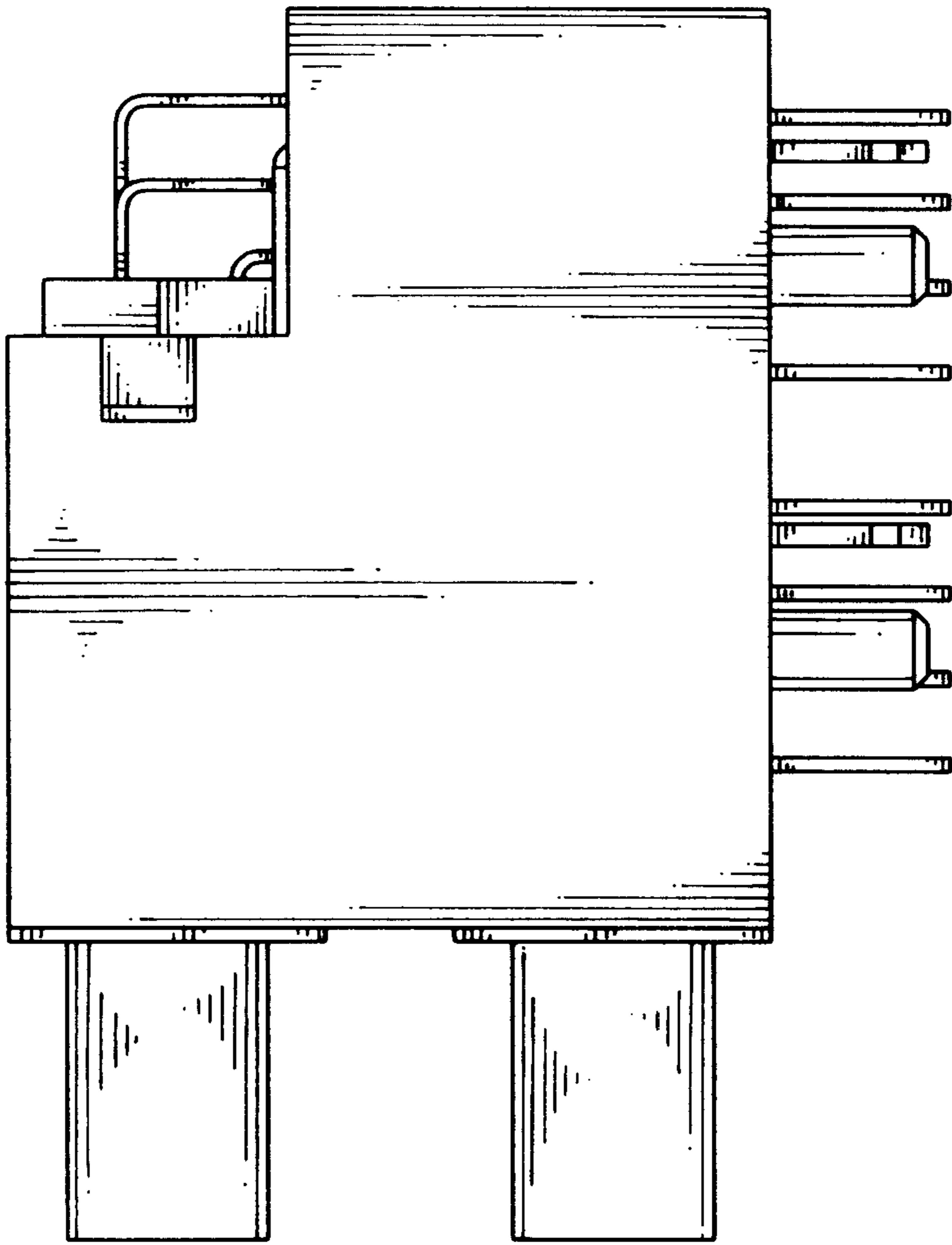


FIG. 6

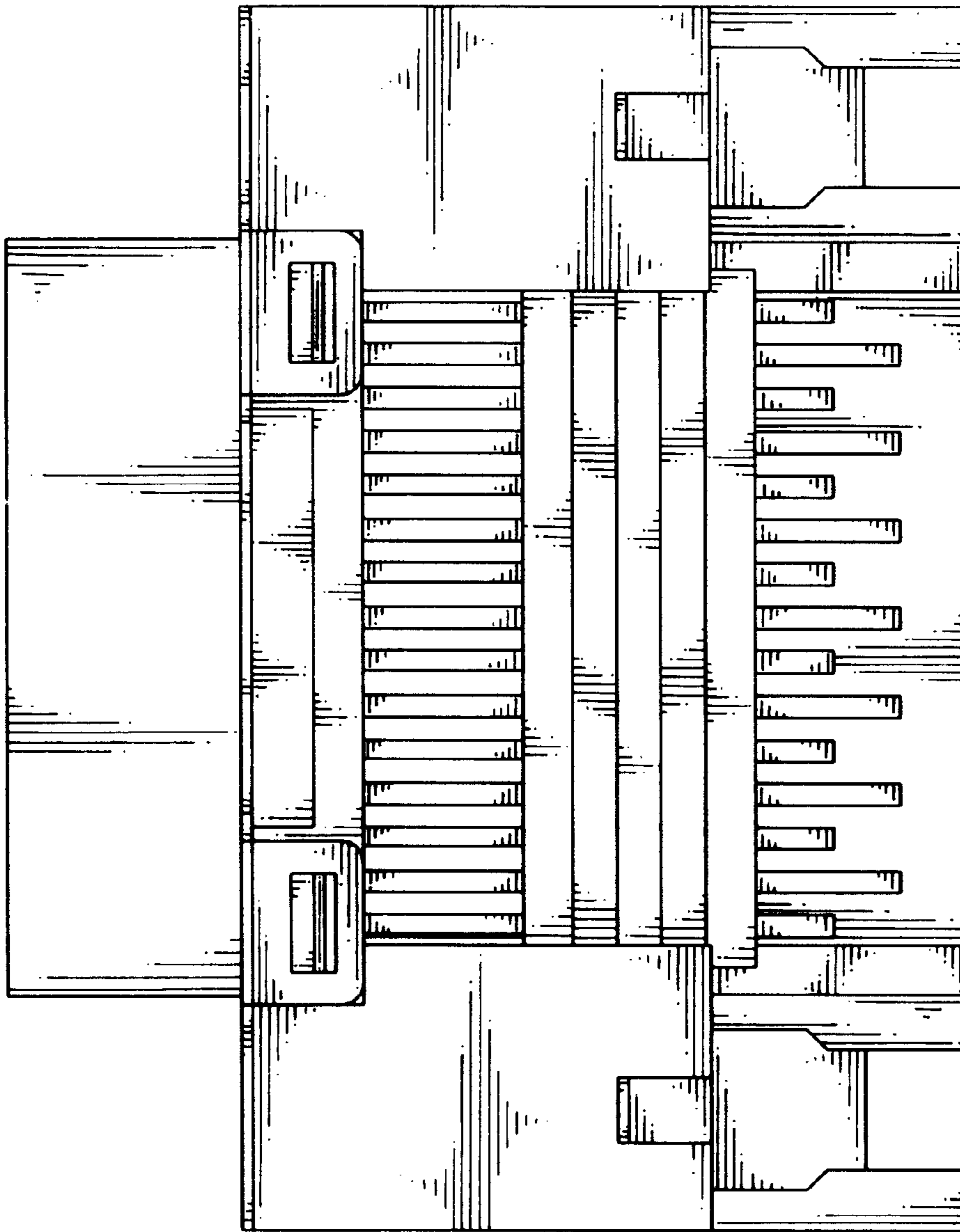


FIG. 7

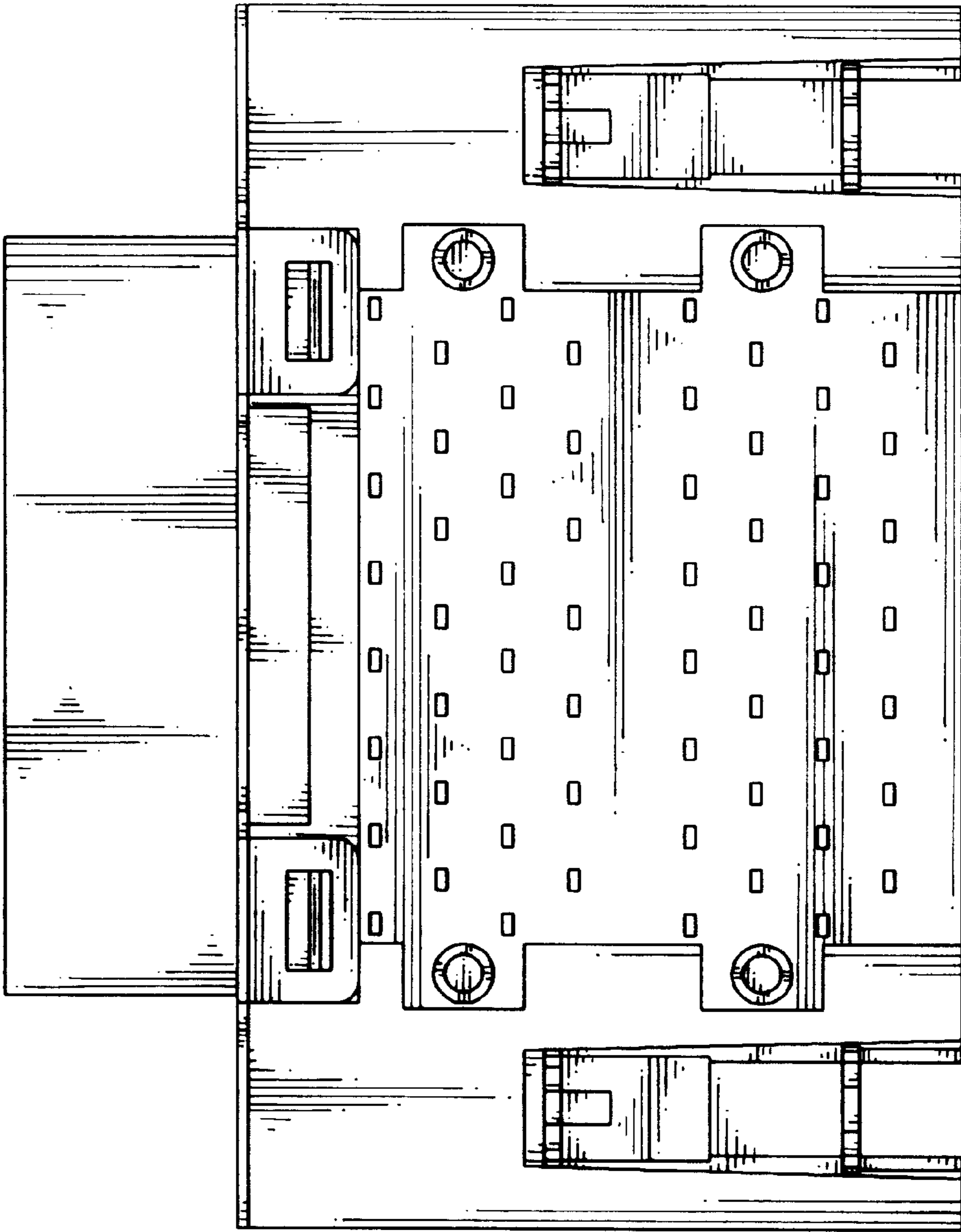


FIG. 8