



US00D411172S

United States Patent [19] Wu

[11] **Patent Number: Des. 411,172**

[45] **Date of Patent: ** Jun. 22, 1999**

[54] **ELECTRICAL CONNECTOR**

[75] Inventor: **Kun-Tsan Wu**, Tu-Chen, Taiwan

[73] Assignee: **Hon Hai Precision Ind. Co., Ltd.**,
Taipei Hsien, Taiwan

[**] Term: **14 Years**

[21] Appl. No.: **29/074,436**

[22] Filed: **Aug. 1, 1997**

[30] **Foreign Application Priority Data**

Feb. 3, 1997 [TW] Taiwan 86301147

[51] **LOC (6) Cl.** **13-03**

[52] **U.S. Cl.** **D13/147**

[58] **Field of Search** D13/146, 147;
439/69, 74, 79-81, 101, 108, 267, 607,
947

[56] **References Cited**

U.S. PATENT DOCUMENTS

5,439,384 8/1995 Thrush et al. 439/69

5,545,051 8/1996 Summers et al. 439/74 X
5,697,799 12/1997 Consoli et al. 439/607 X
5,756,936 5/1998 Viebranz et al. 174/DIG. 8

Primary Examiner—Alan P. Douglas
Assistant Examiner—LaVone D. Tabor

[57] **CLAIM**

The ornamental design for an electrical connector, as shown.

DESCRIPTION

FIG. 1 is a perspective view of an electrical connector showing my new design;

FIG. 2 is a front elevational view thereof;

FIG. 3 is a rear elevational view thereof;

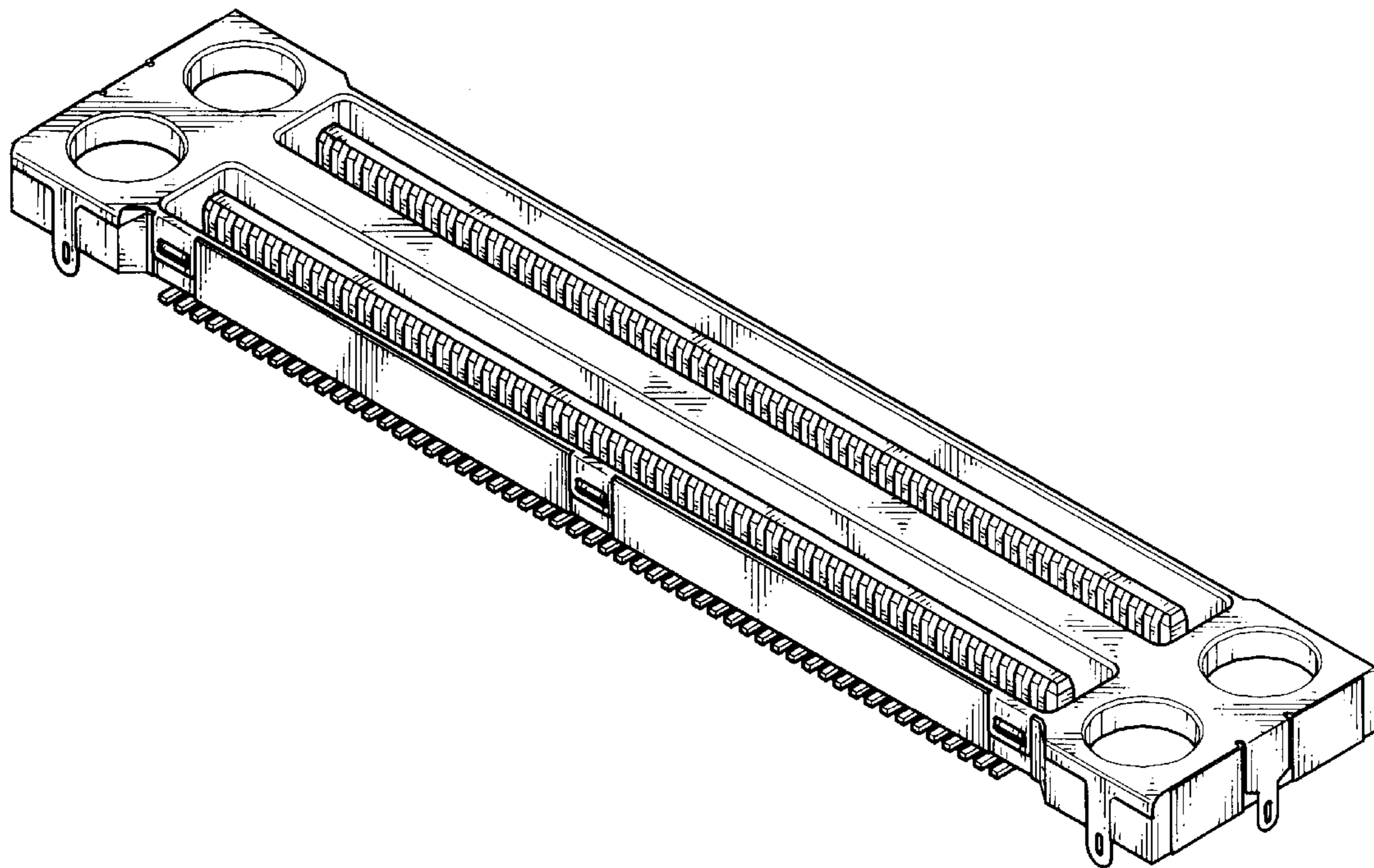
FIG. 4 is a left side elevational view thereof;

FIG. 5 is a right side elevational view thereof;

FIG. 6 is a top plan view thereof; and,

FIG. 7 is a bottom plan view thereof.

1 Claim, 4 Drawing Sheets



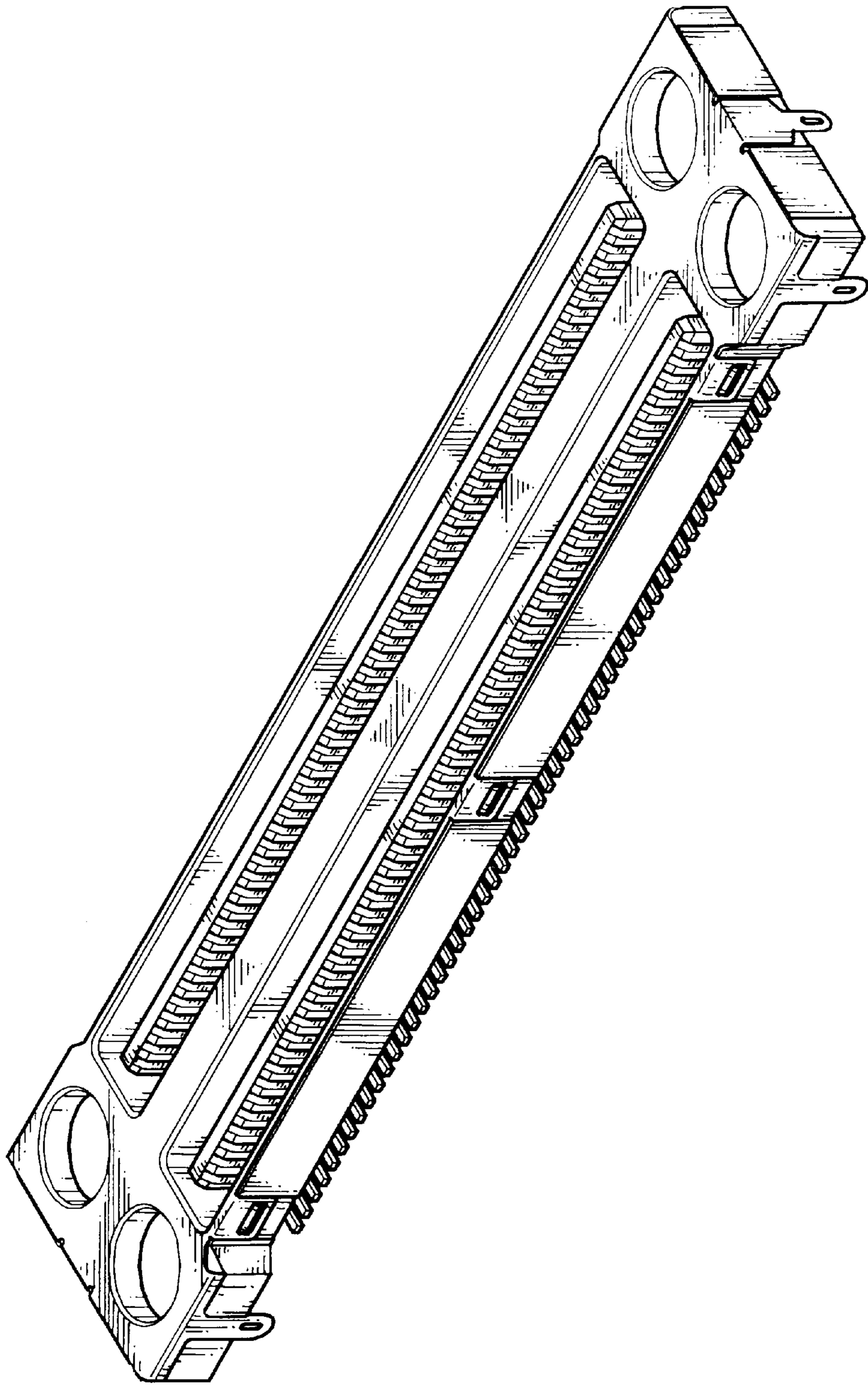


FIG. 1

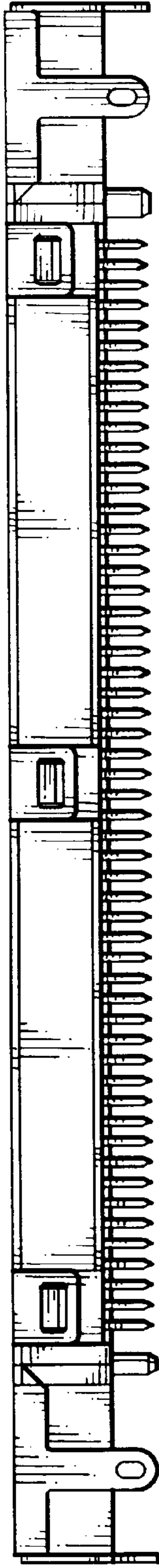


FIG.2

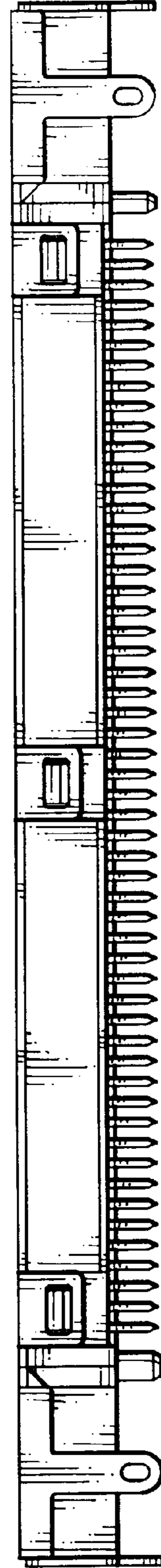


FIG.3

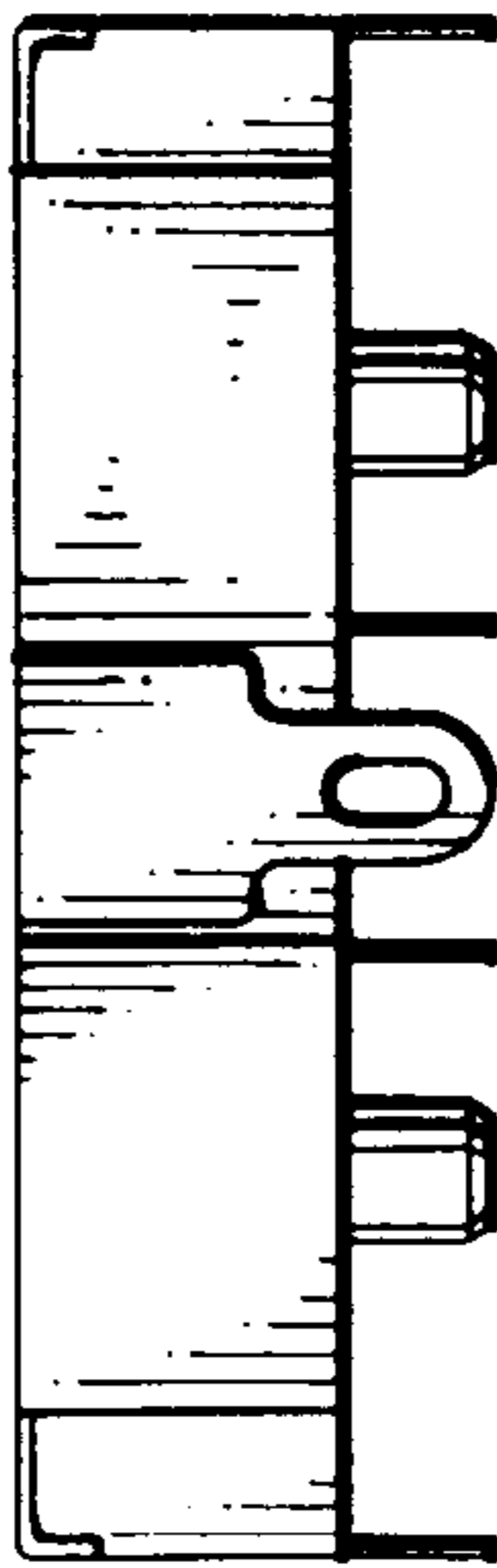


FIG. 4

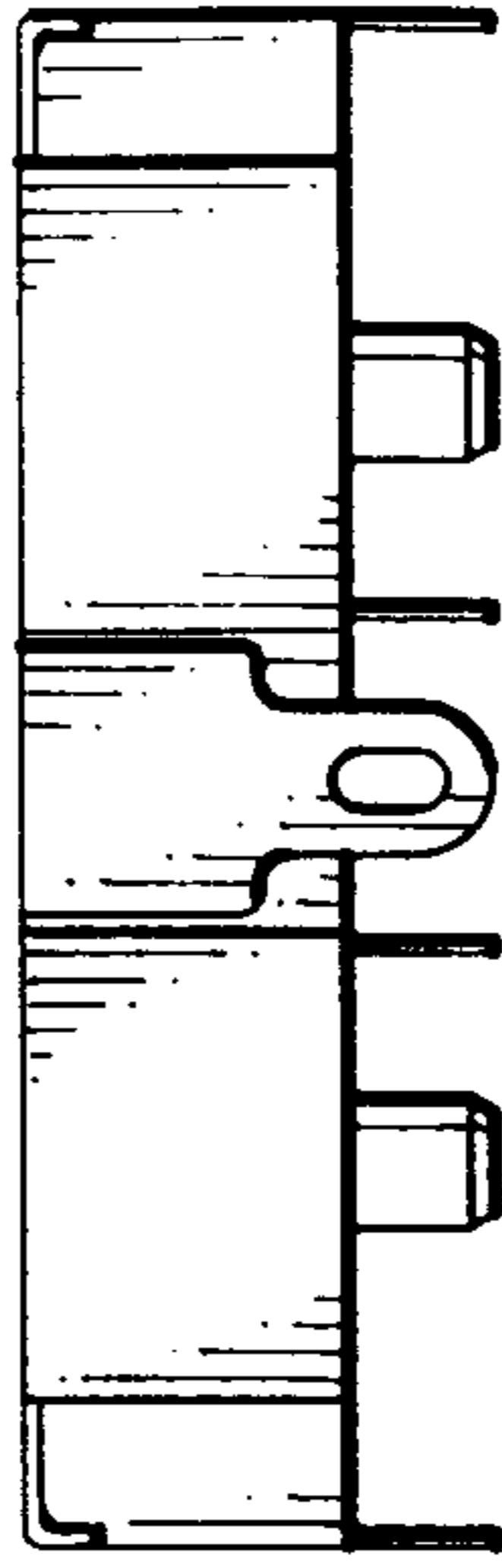


FIG. 5

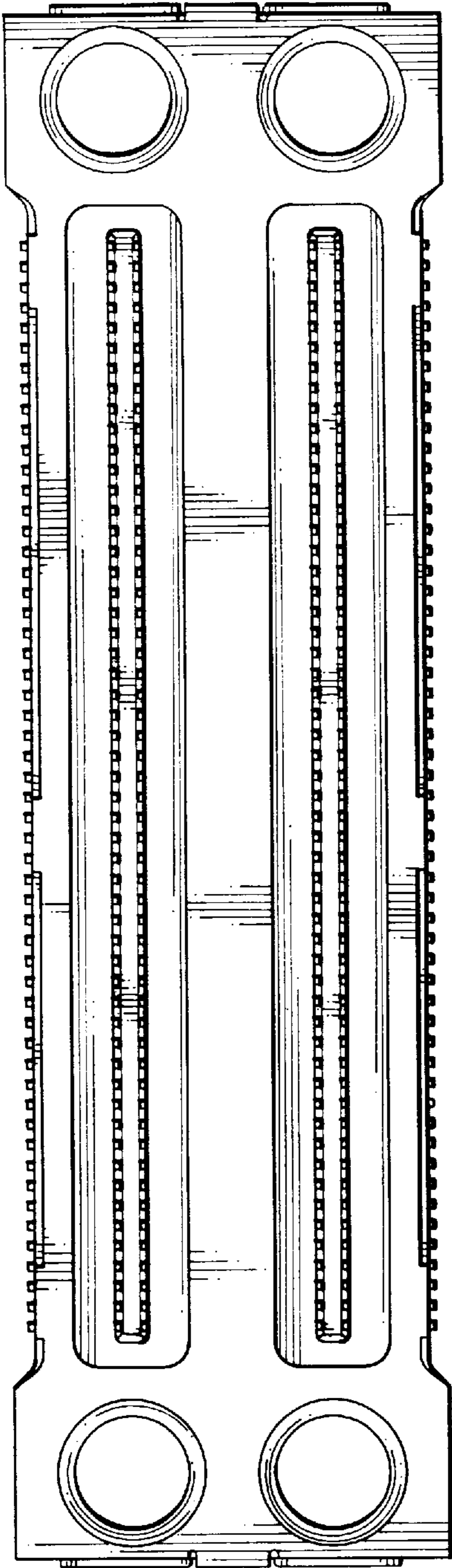


FIG. 6

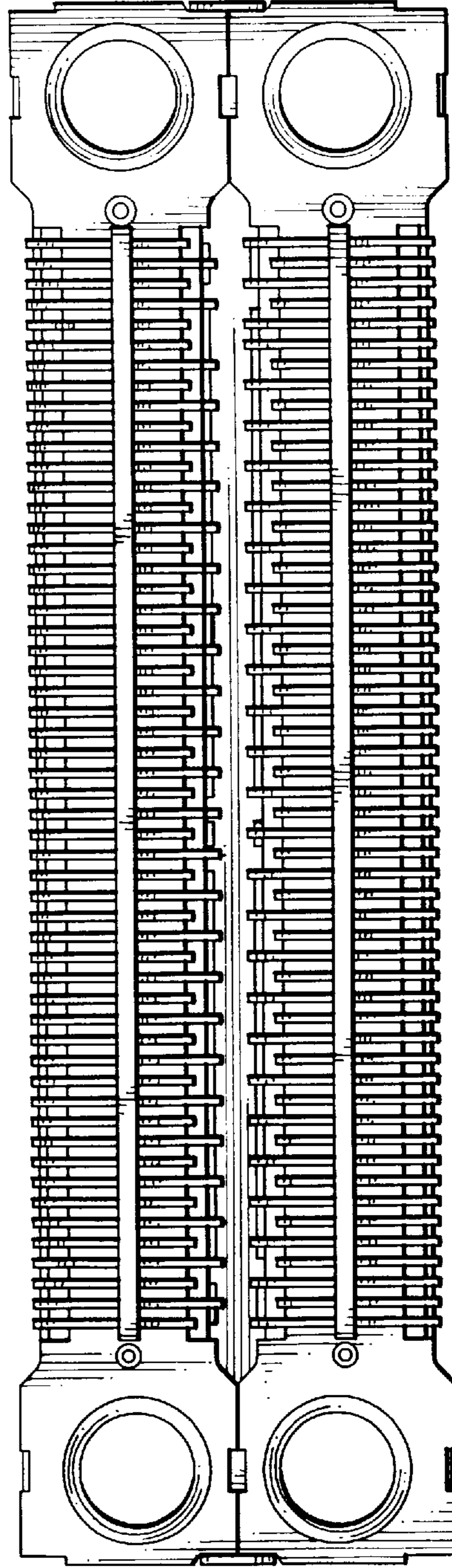


FIG. 7