



US00D411171S

United States Patent [19] Tai Muan

[11] **Patent Number: Des. 411,171**
[45] **Date of Patent: ** Jun. 22, 1999**

[54] **TERMINAL ADAPTER**

[75] Inventor: **Albert Hoon Tai Muan**, Singapore, Singapore

[73] Assignee: **InnoMedia, Pte. Ltd.**, Singapore, Singapore

[**] Term: **14 Years**

[21] Appl. No.: **29/067,775**

[22] Filed: **Mar. 12, 1997**

[51] **LOC (6) Cl.** **13-03**

[52] **U.S. Cl.** **D13/147; D13/162**

[58] **Field of Search** D13/146, 149, D13/162, 164, 162.1; D14/114; 361/826, 827; 439/74, 620; 379/93.4

[56] **References Cited**

U.S. PATENT DOCUMENTS

D. 362,430 9/1995 Gassett et al. D14/114 X

D. 363,064 10/1995 Rogov D14/114
D. 364,398 11/1995 Lam D14/114 X
D. 366,477 1/1996 Gassett et al. D13/147 X
D. 371,114 6/1996 Oikawa D13/146
D. 373,569 9/1996 Van Engelen et al. D13/147

Primary Examiner—Joel Sincavage
Attorney, Agent, or Firm—Graham & James LLP

[57] **CLAIM**

The ornamental design for a terminal adapter, as shown and described.

DESCRIPTION

FIG. 1 is a front elevational view of my new terminal adapter;
FIG. 2 is a top plan view thereof;
FIG. 3 is a left side elevational view thereof;
FIG. 4 is a right side elevational view thereof; and,
FIG. 5 is a back elevational view thereof.
The adapter as seen from the bottom forms no part of the claimed design.

1 Claim, 2 Drawing Sheets

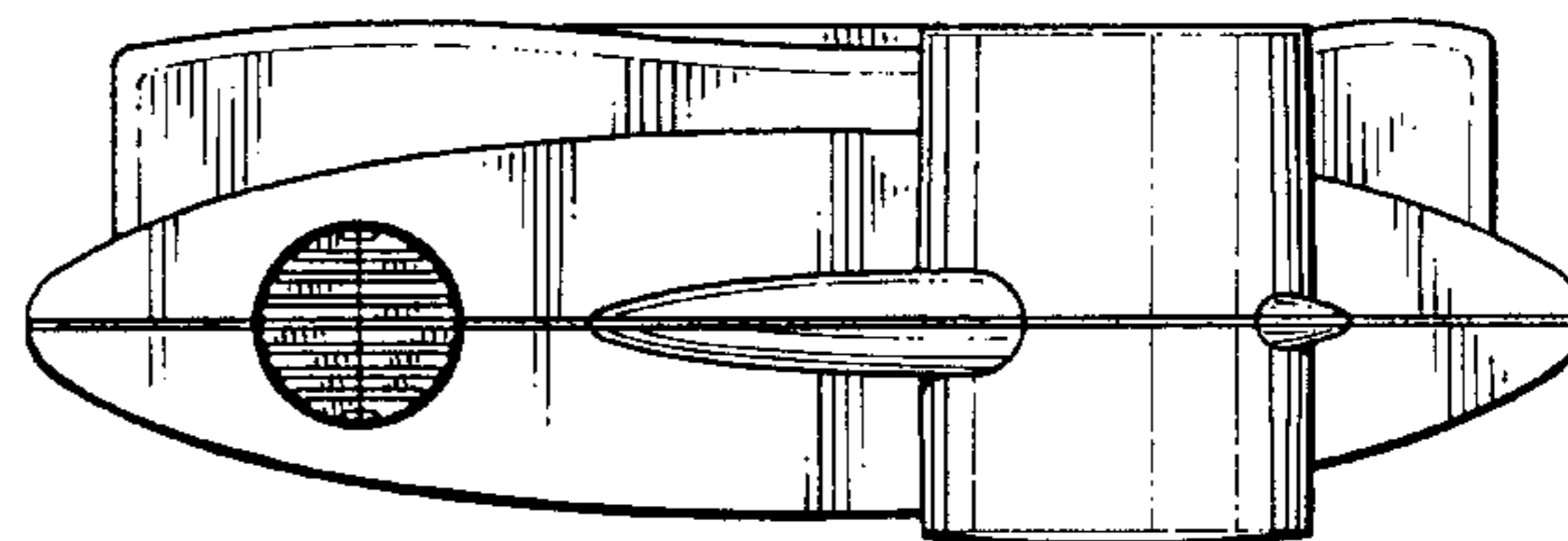
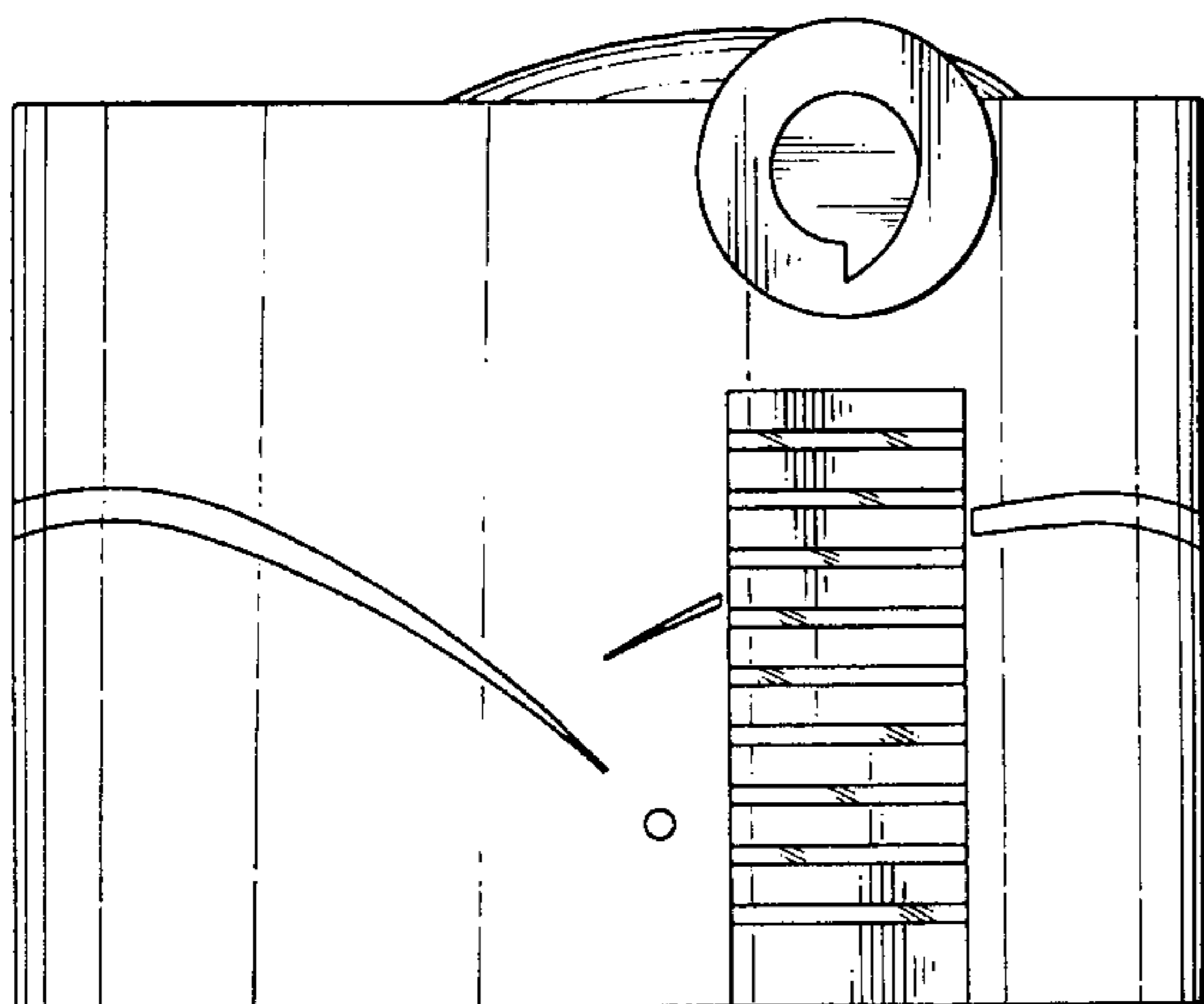


FIG. 1

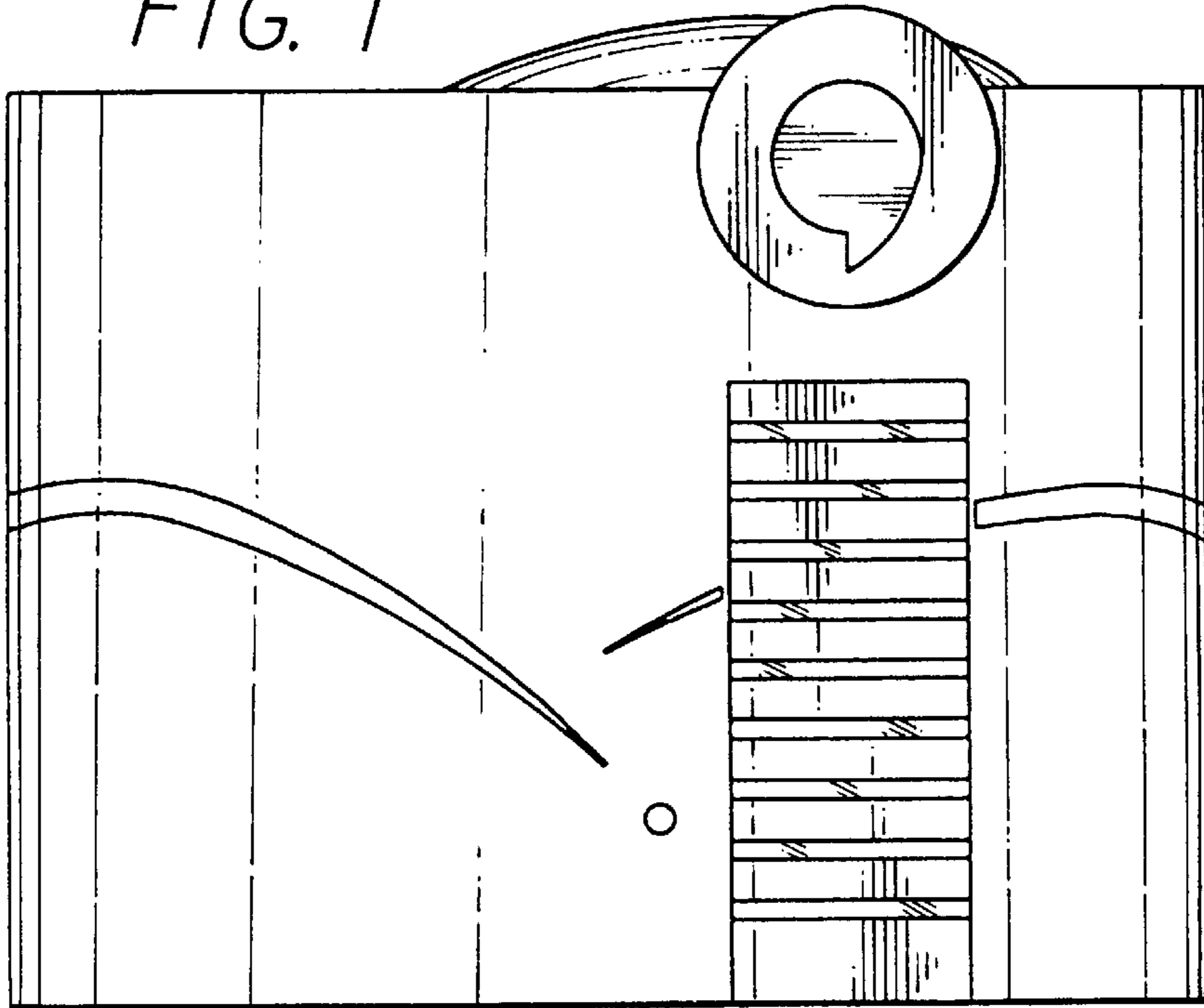


FIG. 5

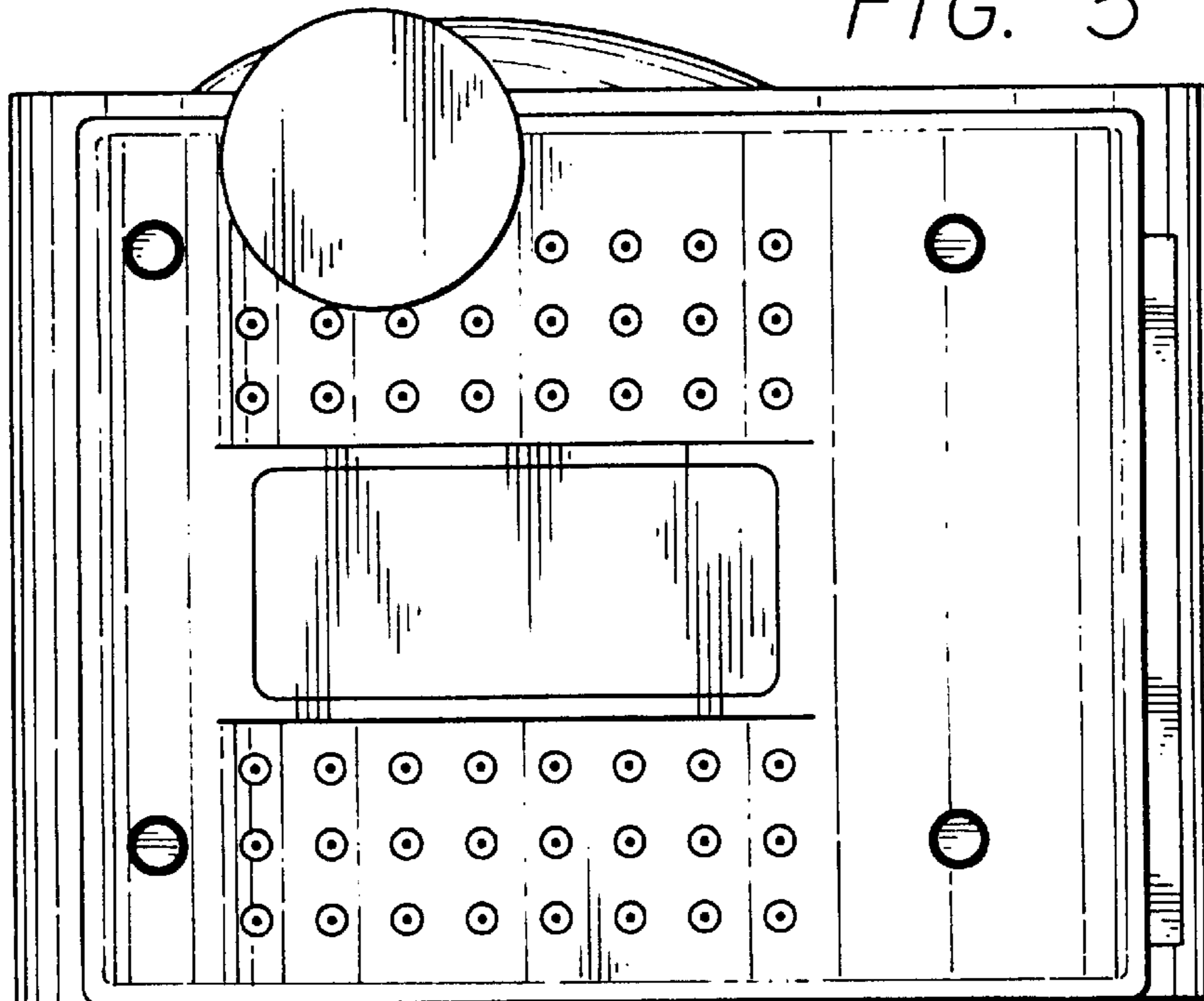


FIG. 2

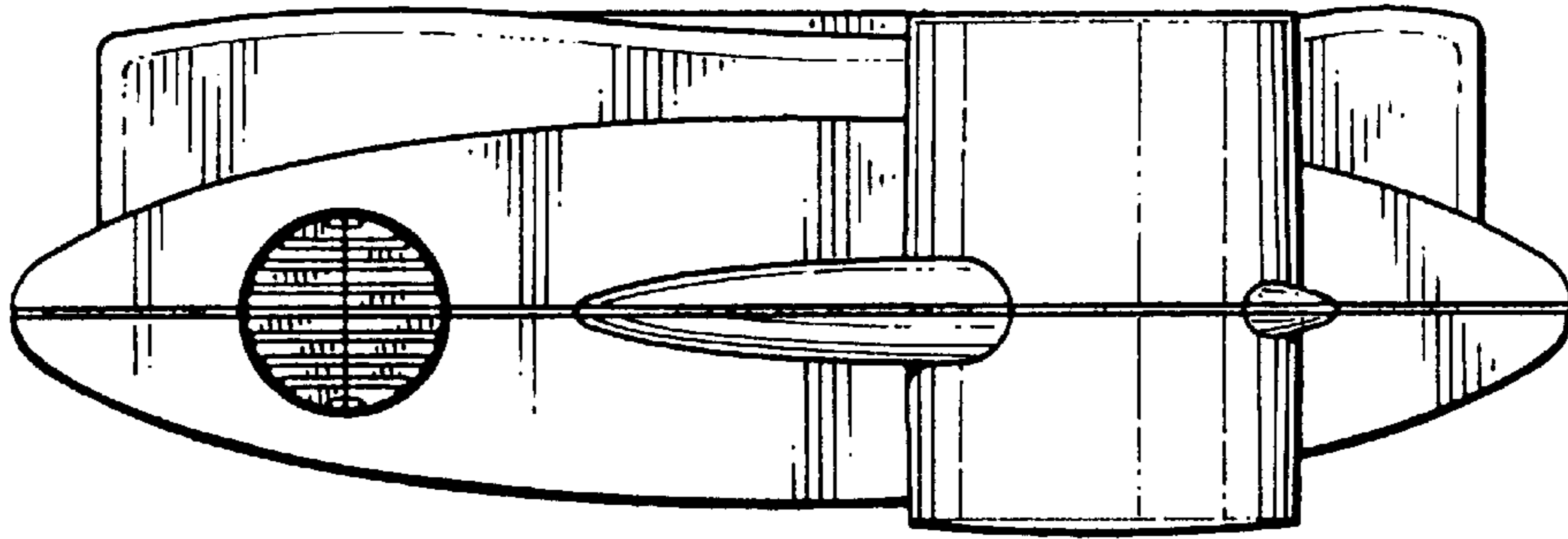


FIG. 3

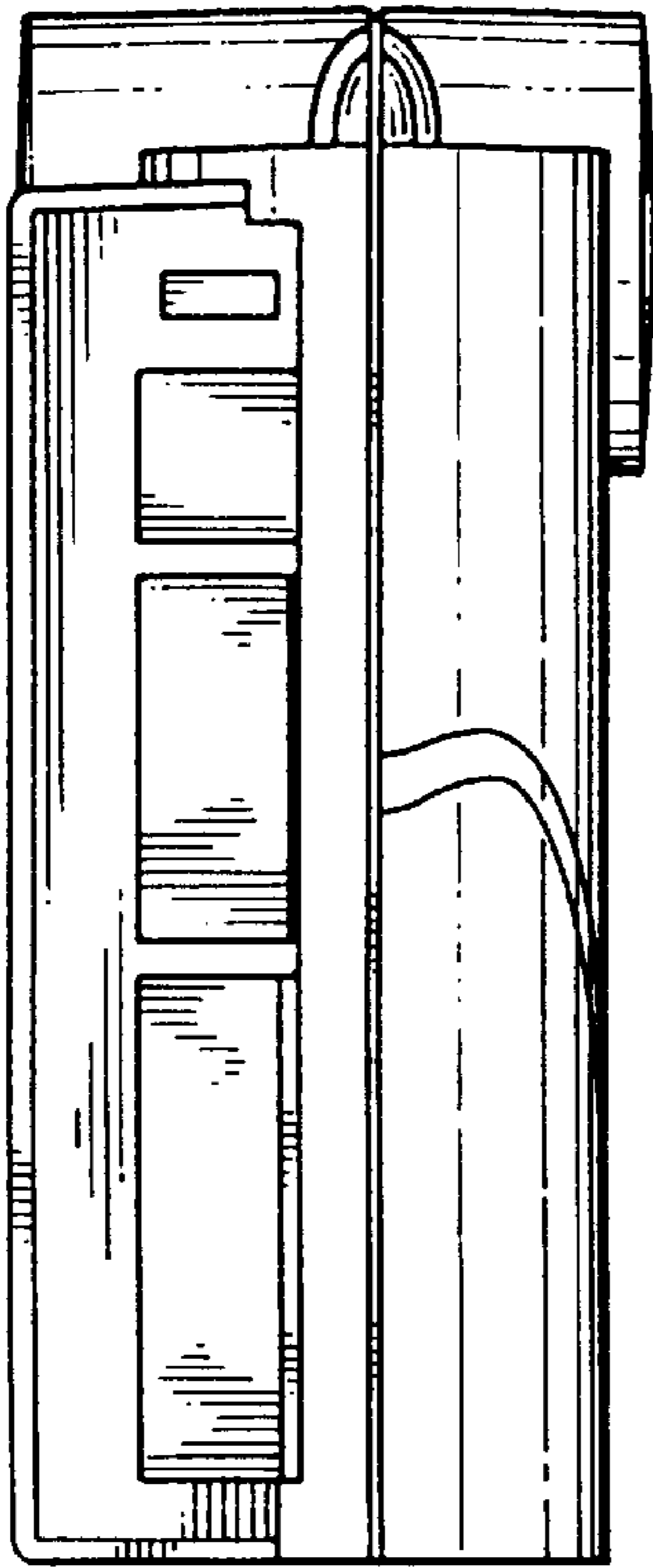


FIG. 4

