



US00D411170S

United States Patent [19]

[11] **Patent Number: Des. 411,170**

Deutsch

[45] **Date of Patent: ** Jun. 22, 1999**

[54] **ELECTRICAL CONNECTOR**

[57] **CLAIM**

[75] Inventor: **Peter K. Deutsch**, Novato, Calif.

The ornamental design for an electrical connector, as shown and described.

[73] Assignee: **Marinco**, Napa, Calif.

[**] Term: **14 Years**

DESCRIPTION

[21] Appl. No.: **29/090,501**

FIG. 1 is a perspective view of a first embodiment of an electrical connector showing my design; FIG. 2 is a left side elevation view thereof; the right side elevation view thereof being a mirror image; FIG. 3 is a top plan view thereof; FIG. 4 is a front elevation view thereof; FIG. 5 is a rear elevation view thereof; FIG. 6 is a bottom view thereof; FIG. 7 is a perspective view of a second embodiment showing my design; FIG. 8 is a left side elevation view thereof; FIG. 9 is a top plan view thereof; FIG. 10 is a front elevation view thereof; FIG. 11 is a rear elevation view thereof; FIG. 12 is a bottom view thereof; and, FIG. 13 is a right side elevation view thereof. The broken line showing of a portion of an electrical cable and male plug elements are for illustrative purposes only and form no part of the claimed design.

[22] Filed: **Jul. 9, 1998**

[51] **LOC (6) Cl.** **13-03**

[52] **U.S. Cl.** **D13/146**

[58] **Field of Search** D13/133, 146; 439/447, 453, 455, 460, 675, 474, 680, 598

[56] **References Cited**

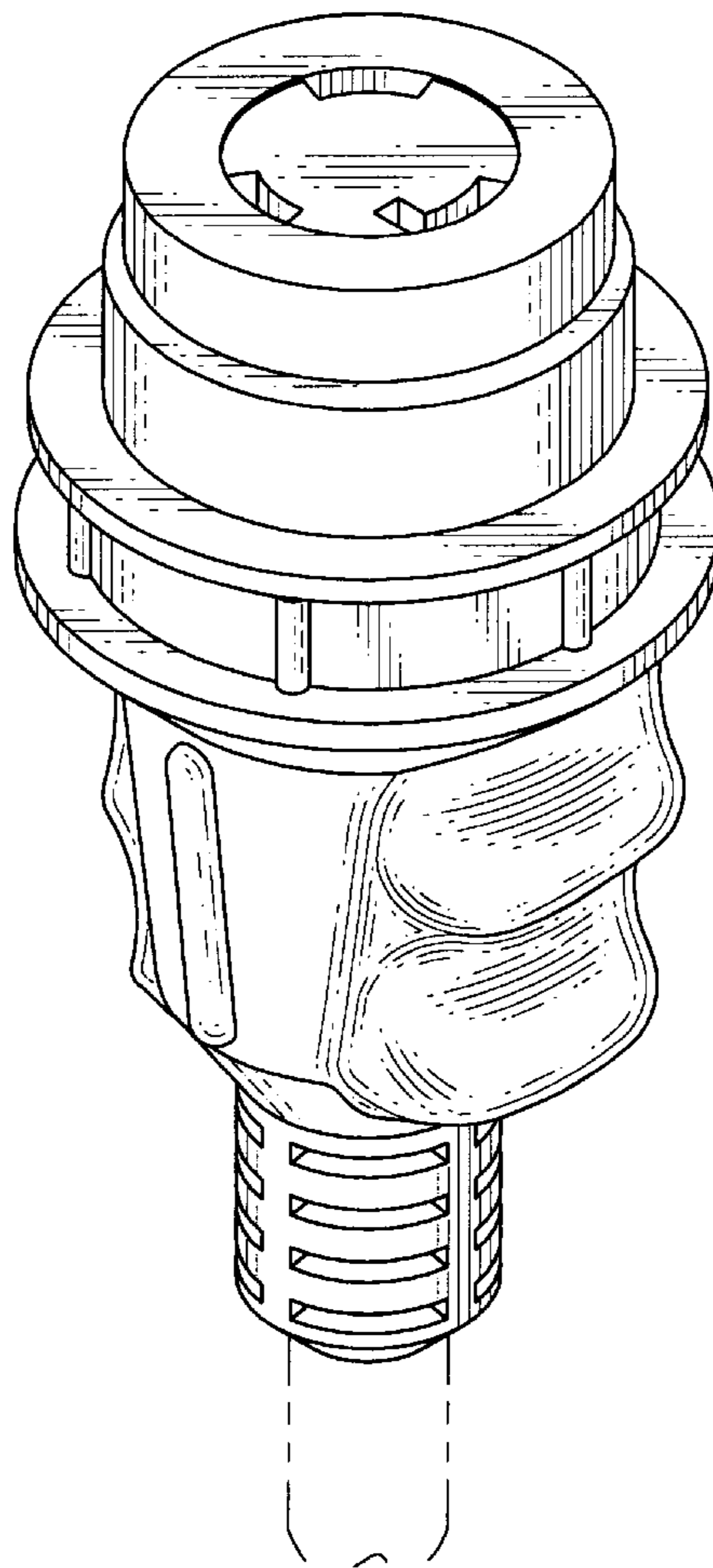
U.S. PATENT DOCUMENTS

D. 336,070	6/1993	Clark	D13/133
4,736,999	4/1988	Marks et al.	439/680 X
5,259,780	11/1993	Morrissey, III et al.	439/460 X
5,340,330	8/1994	Dolson et al.	439/447
5,641,310	6/1997	Tiberio, Jr.	439/680

Primary Examiner—Joel Sincavage

Attorney, Agent, or Firm—Thomas R. Lampe

1 Claim, 4 Drawing Sheets



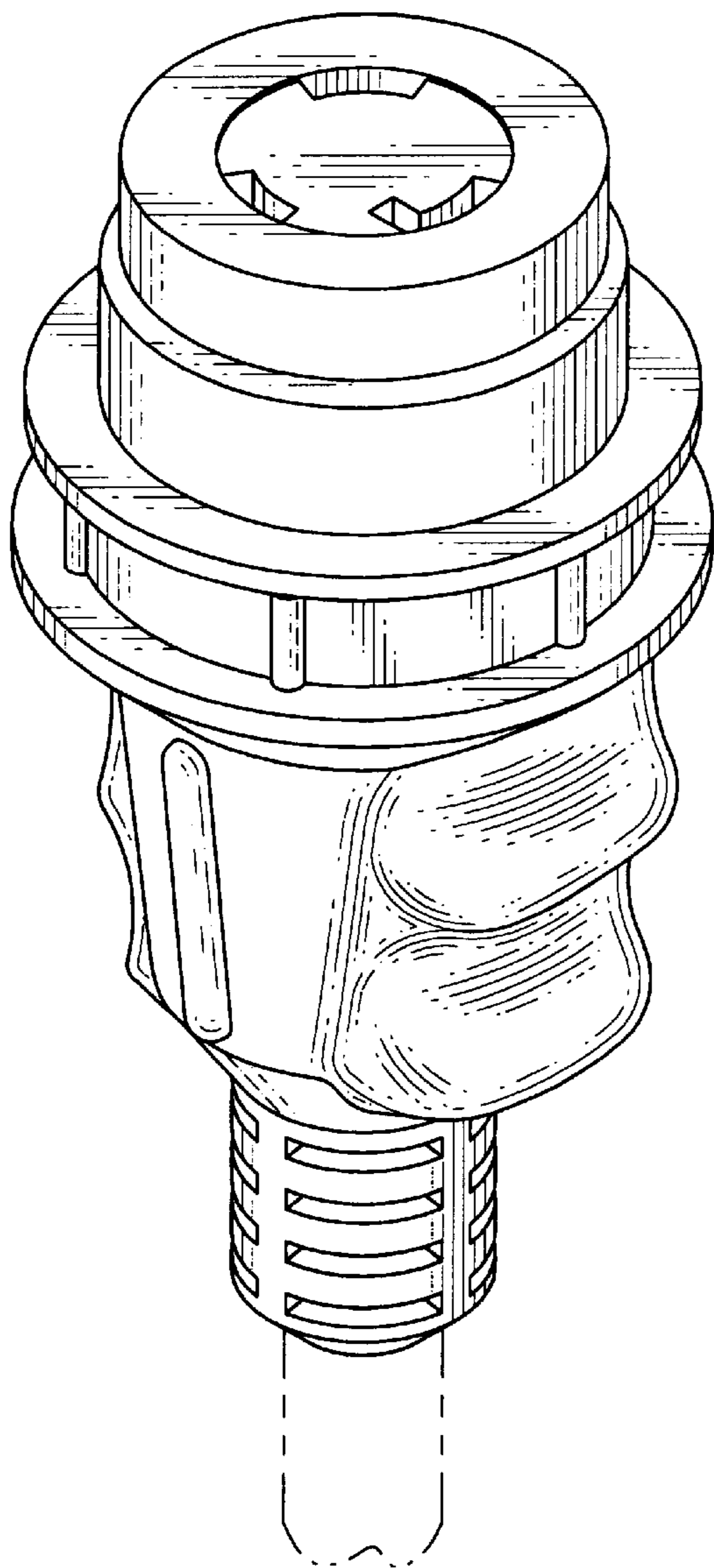


Fig. 1

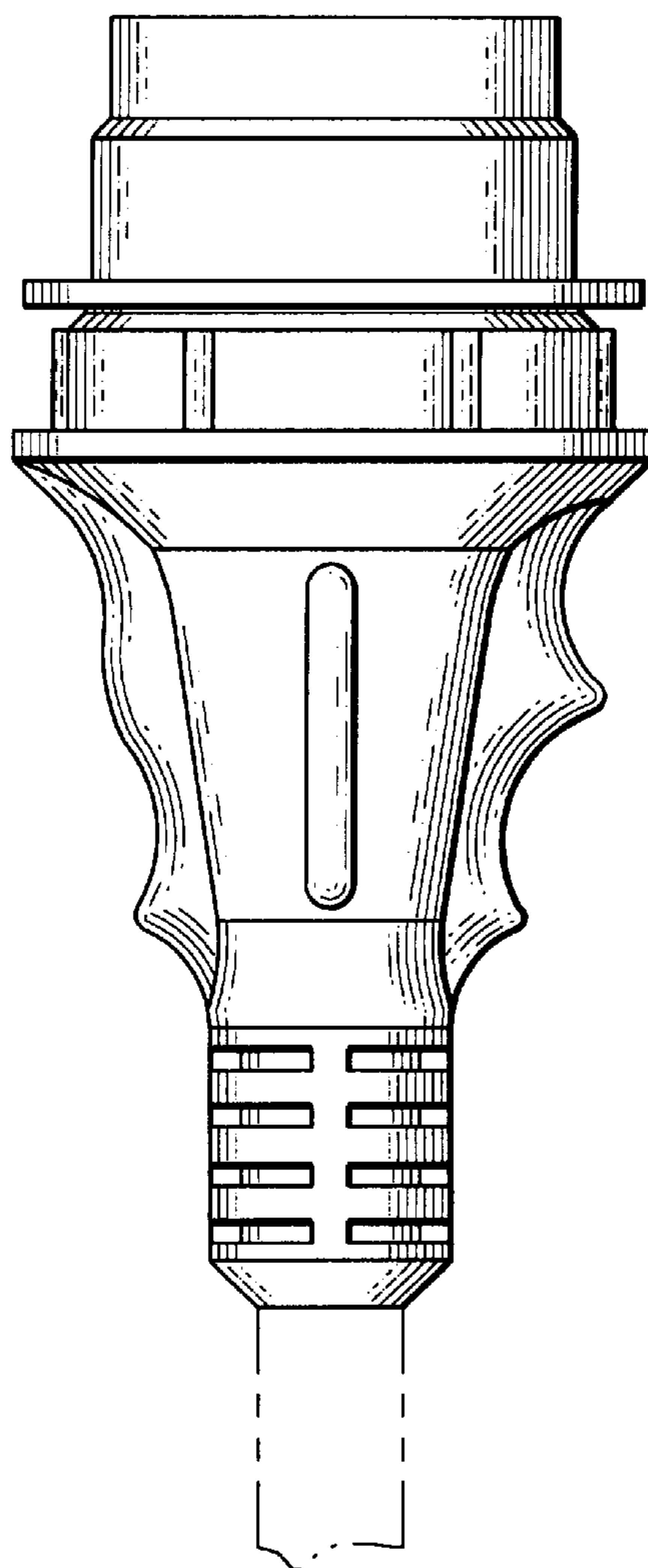


Fig. 2

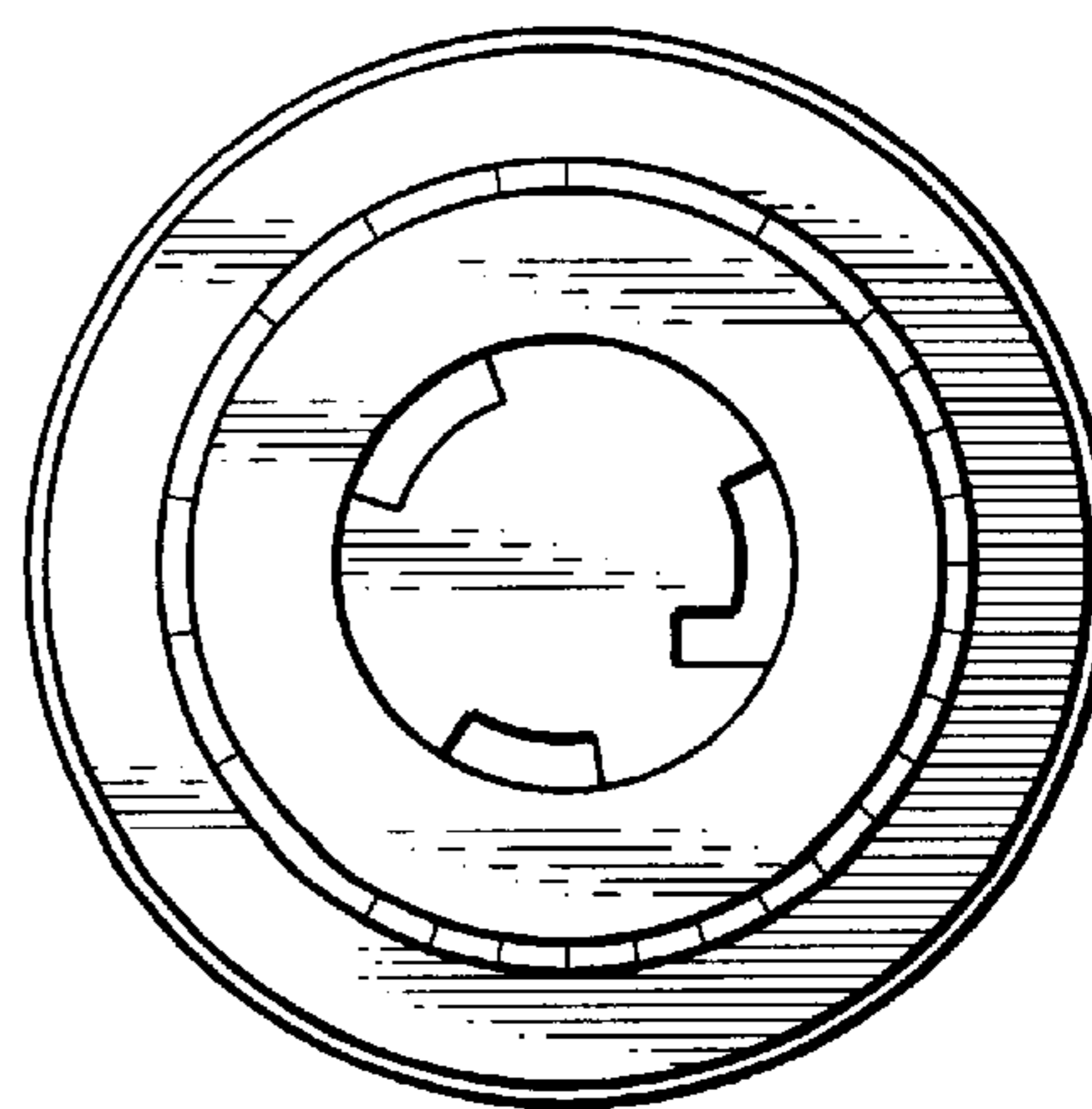


Fig. 3

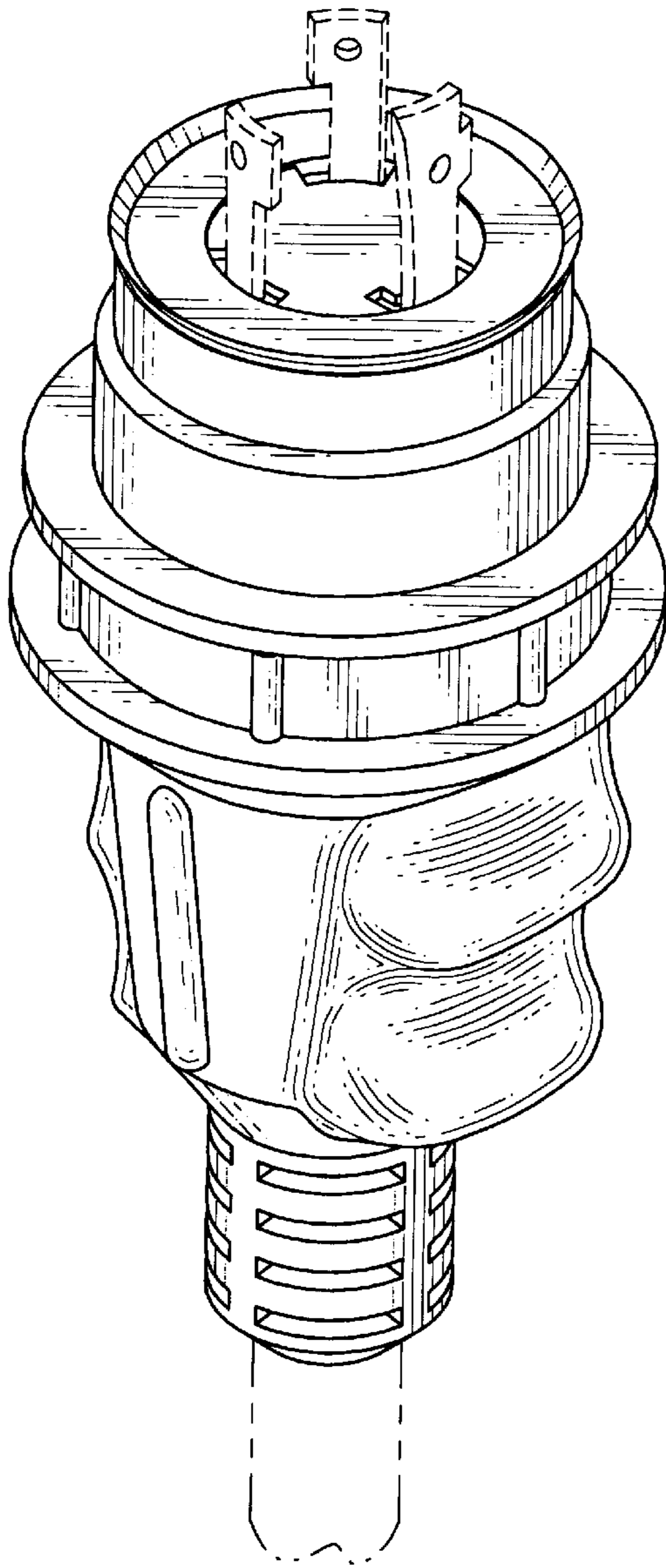


Fig. 7

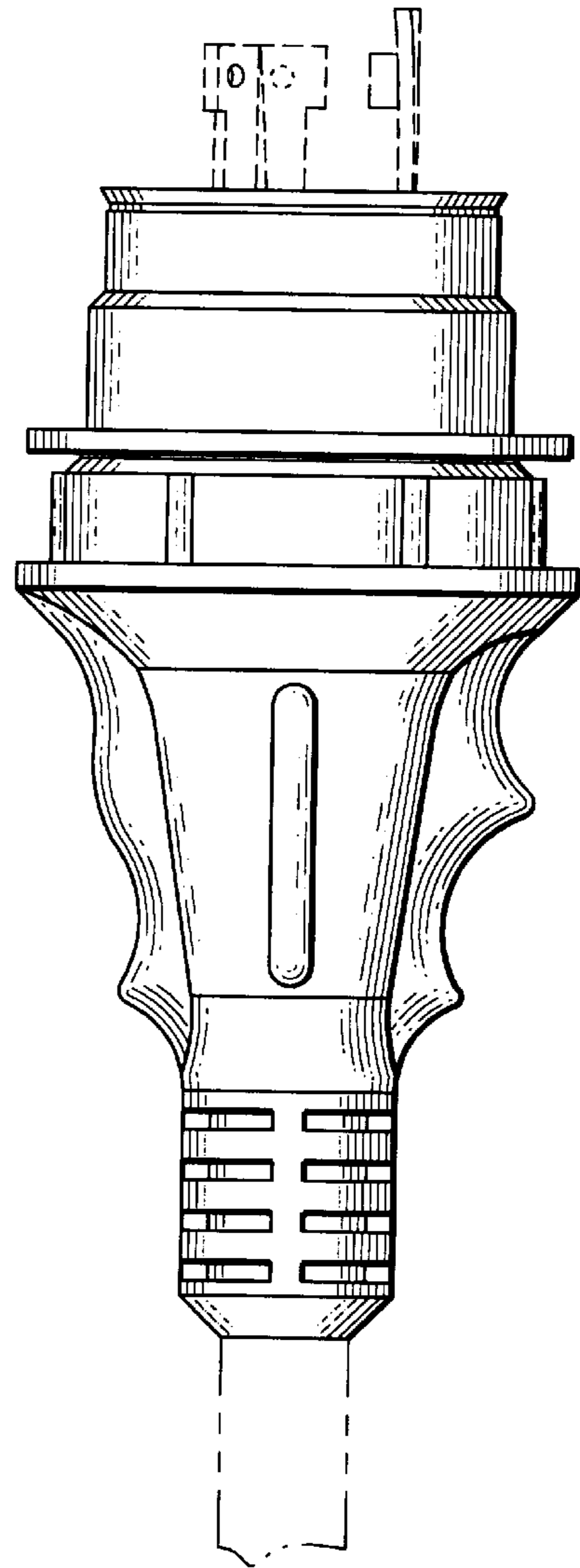


Fig. 8

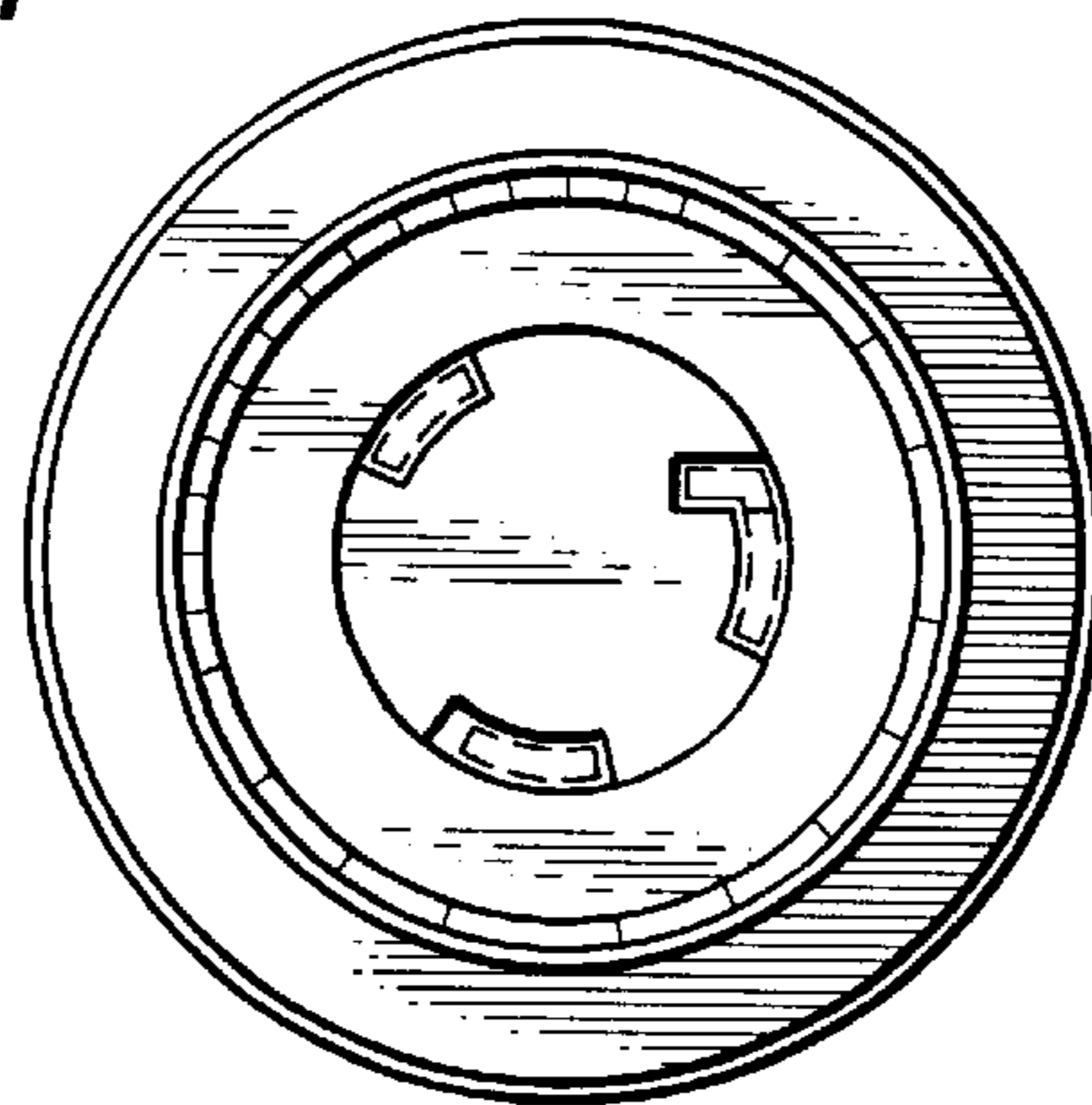


Fig. 9

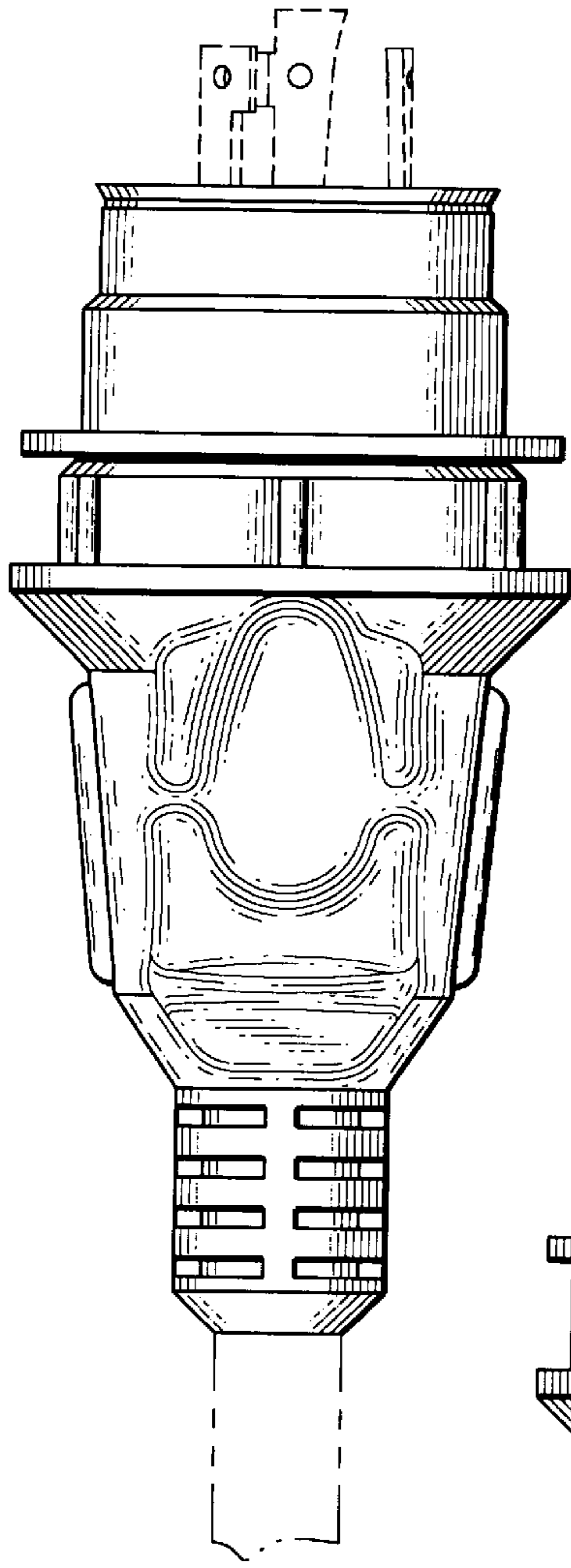


Fig. 10

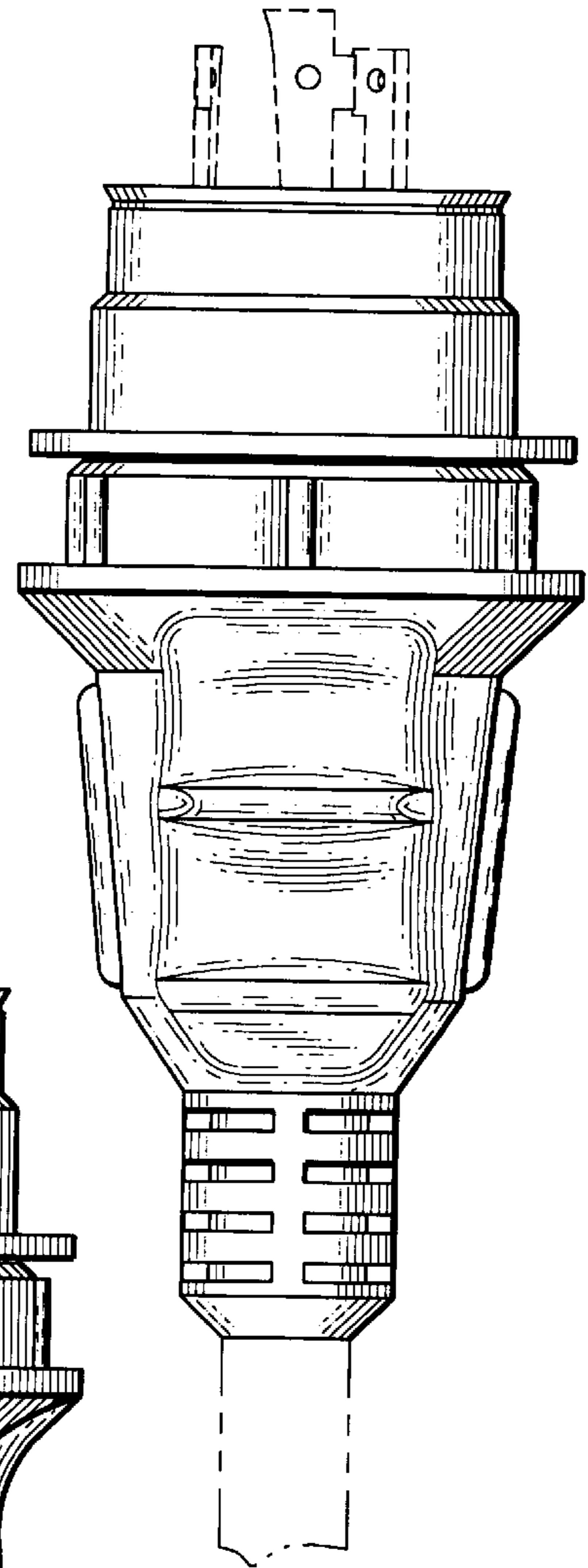


Fig. 11

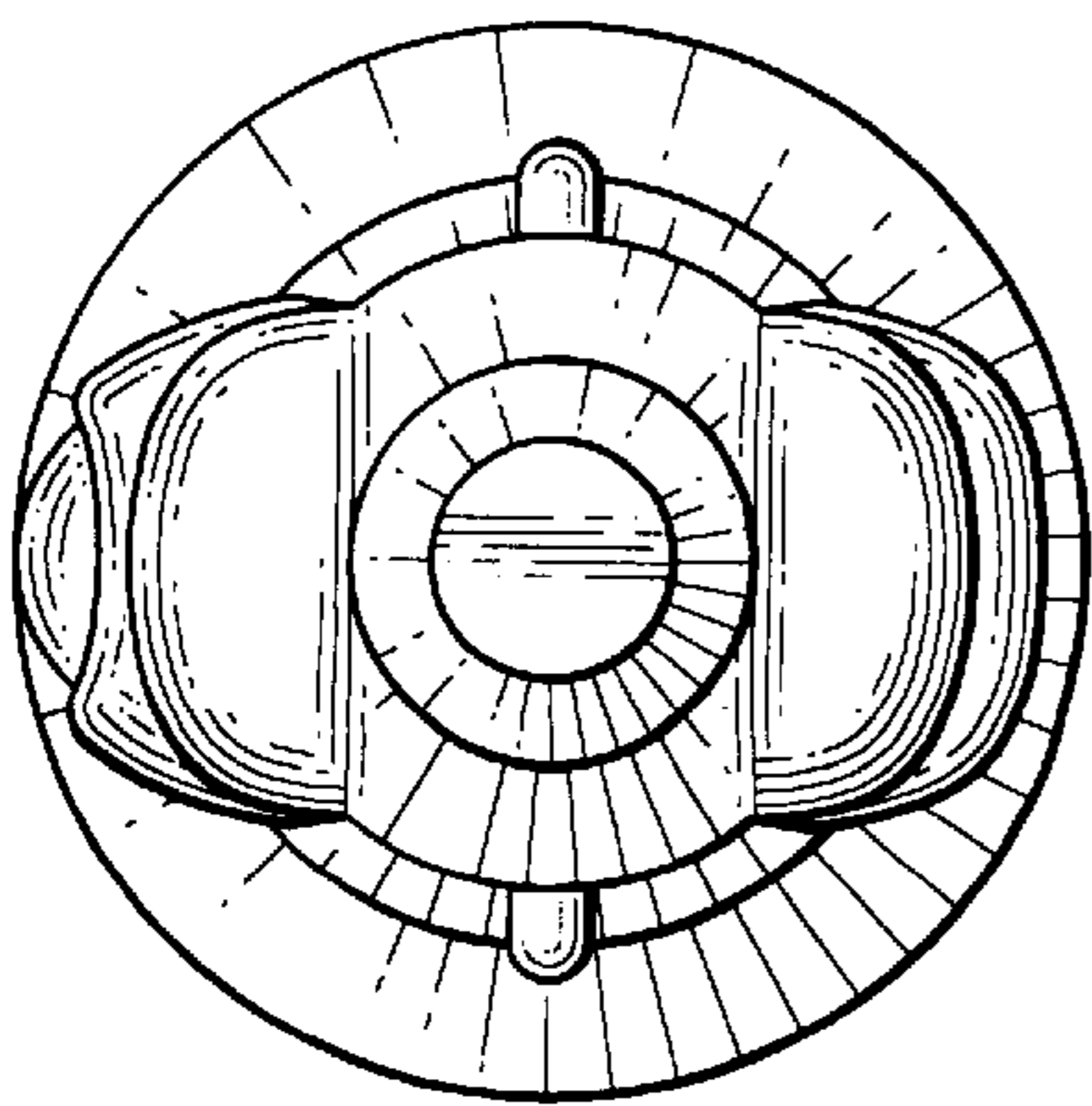


Fig. 12

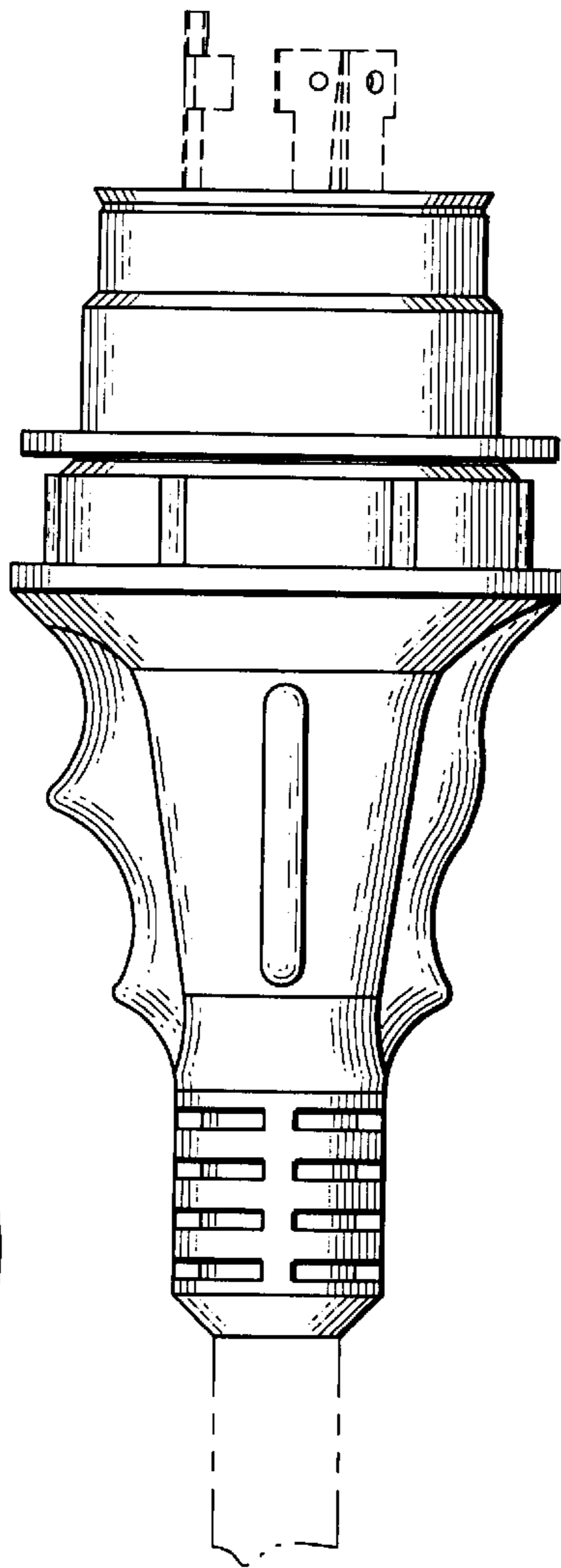


Fig. 13