



US00D411169S

United States Patent [19]
West

[11] **Patent Number: Des. 411,169**

[45] **Date of Patent: ** Jun. 22, 1999**

[54] **COMBINED REMOTE CONTROL POWER STRIP WITH REMOTE CONTROL**

[76] Inventor: **David L West**, 321 Bobb Dr., Midwest City, Okla. 73110

[**] Term: **14 Years**

[21] Appl. No.: **29/096,789**

[22] Filed: **Nov. 19, 1998**

[51] **LOC (6) Cl.** **13-03**

[52] **U.S. Cl.** **D13/139.8; D14/218**

[58] **Field of Search** 439/954, 76.1, 439/620, 638, 650, 651, 653, 652; 200/51.11; D13/137.1-137.4, 139.1-139.8; D14/218

[56] **References Cited**

U.S. PATENT DOCUMENTS

- D. 217,251 4/1970 Kahn D13/139.8
- D. 279,979 8/1985 Kovacik et al. D13/139.8
- D. 304,324 10/1989 Lovett et al. D13/139.8
- D. 399,209 10/1998 Yamagishi D14/218

OTHER PUBLICATIONS

Item C Multi-Outlet Surge Protector, Miller's Office Products Catalog '95, p. 499, Sep. 1, 1995.

Primary Examiner—Susan J. Lucas

Assistant Examiner—Jennifer Rivard

[57] **CLAIM**

The ornamental design for a combined remote control power strip with remote control, as shown and described.

DESCRIPTION

FIG. 1 is a top plan view of the combined remote control power strip with remote control of the present invention;

FIG. 2 is a bottom plan view of the combined remote control power strip with remote control of FIG. 1;

FIG. 3 is a right side elevational view of the combined remote control power strip with remote control of FIG. 1;

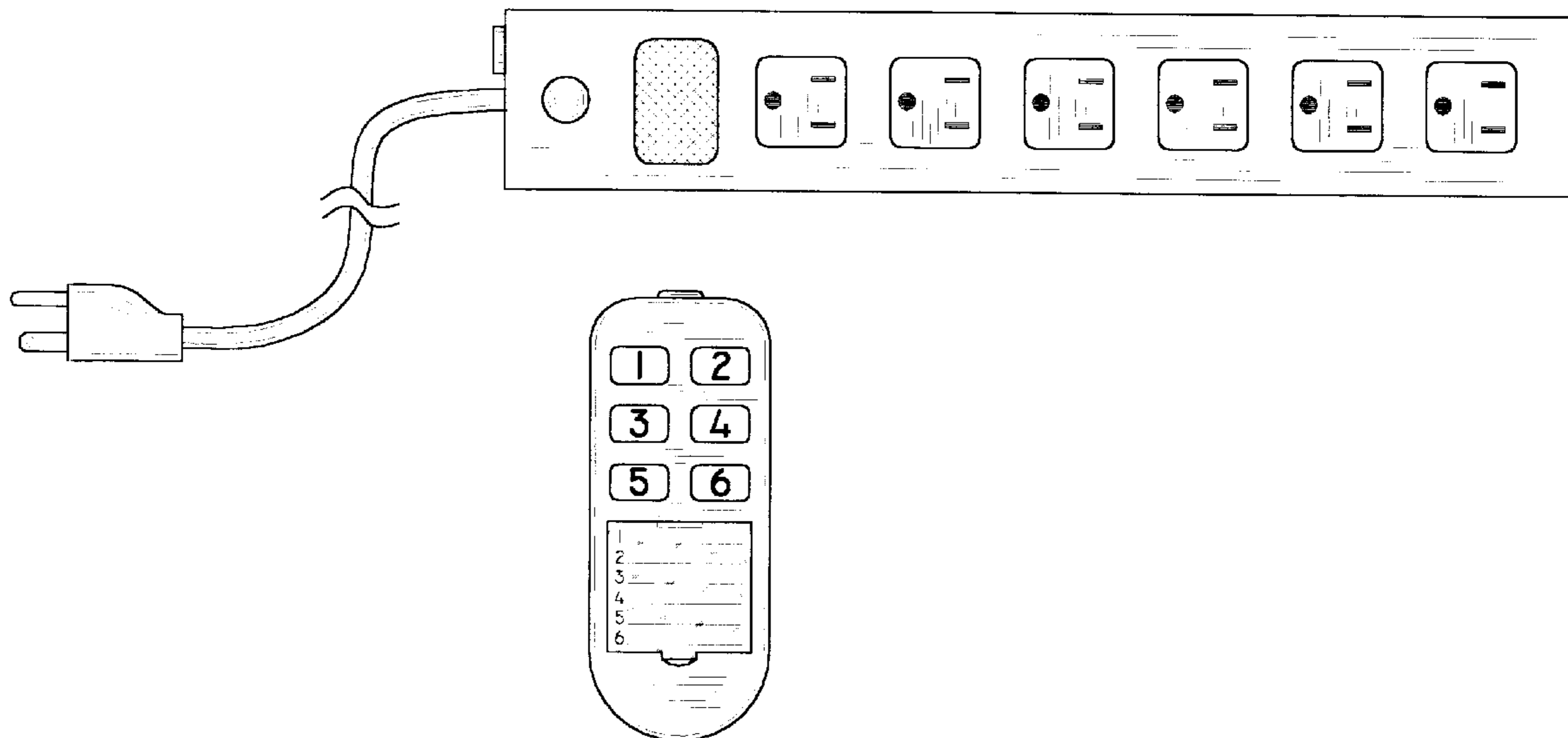
FIG. 4 is a left side elevational view of the combined remote control power strip with remote control of FIG. 1;

FIG. 5 is a front elevational view of the combined remote control power strip with remote control of FIG. 1; and,

FIG. 6 is a back elevational view of the combined remote control power strip with remote control of FIG. 1.

The cord of the claimed design is broken away to indicate indeterminate length.

1 Claim, 2 Drawing Sheets



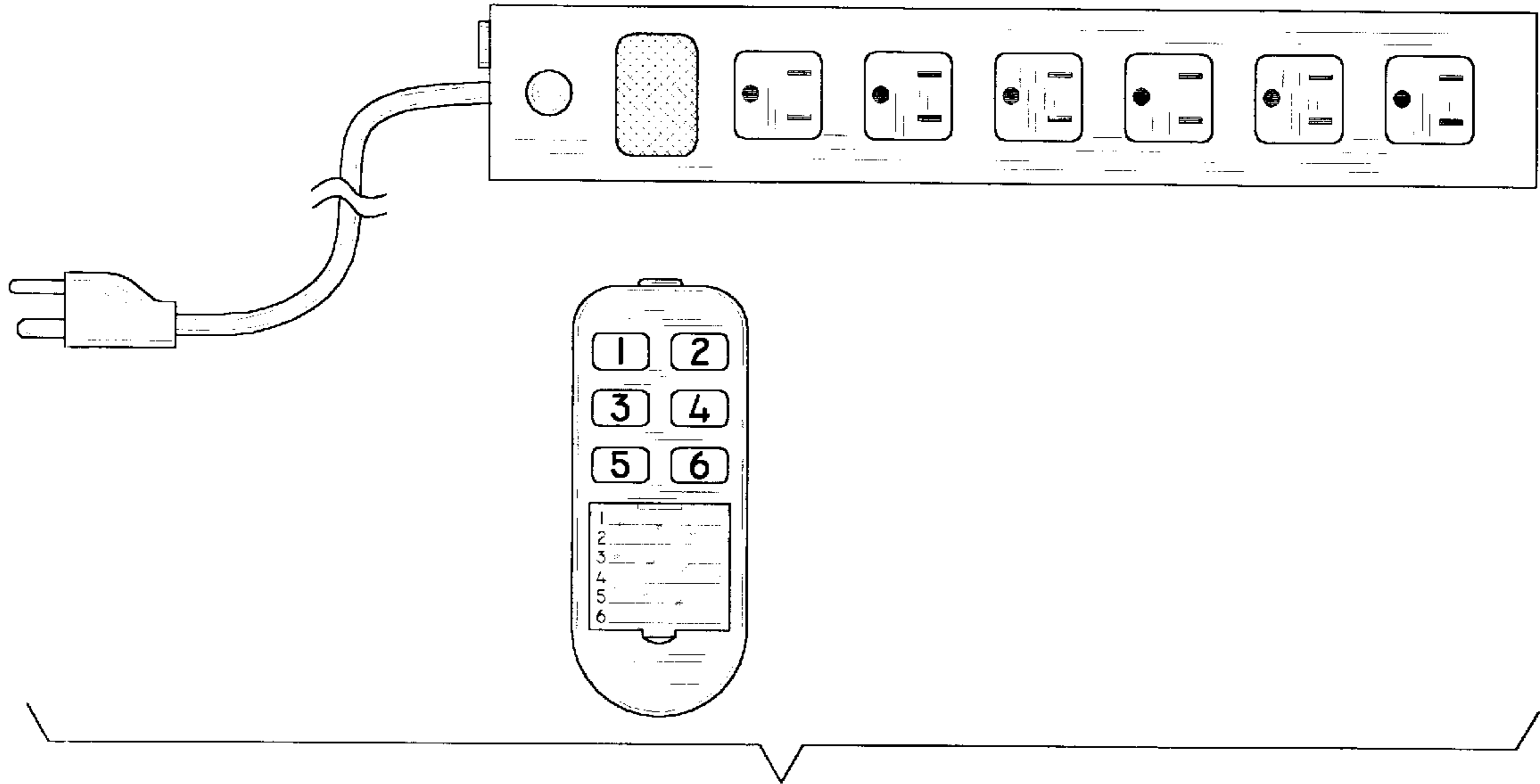


Fig. 1

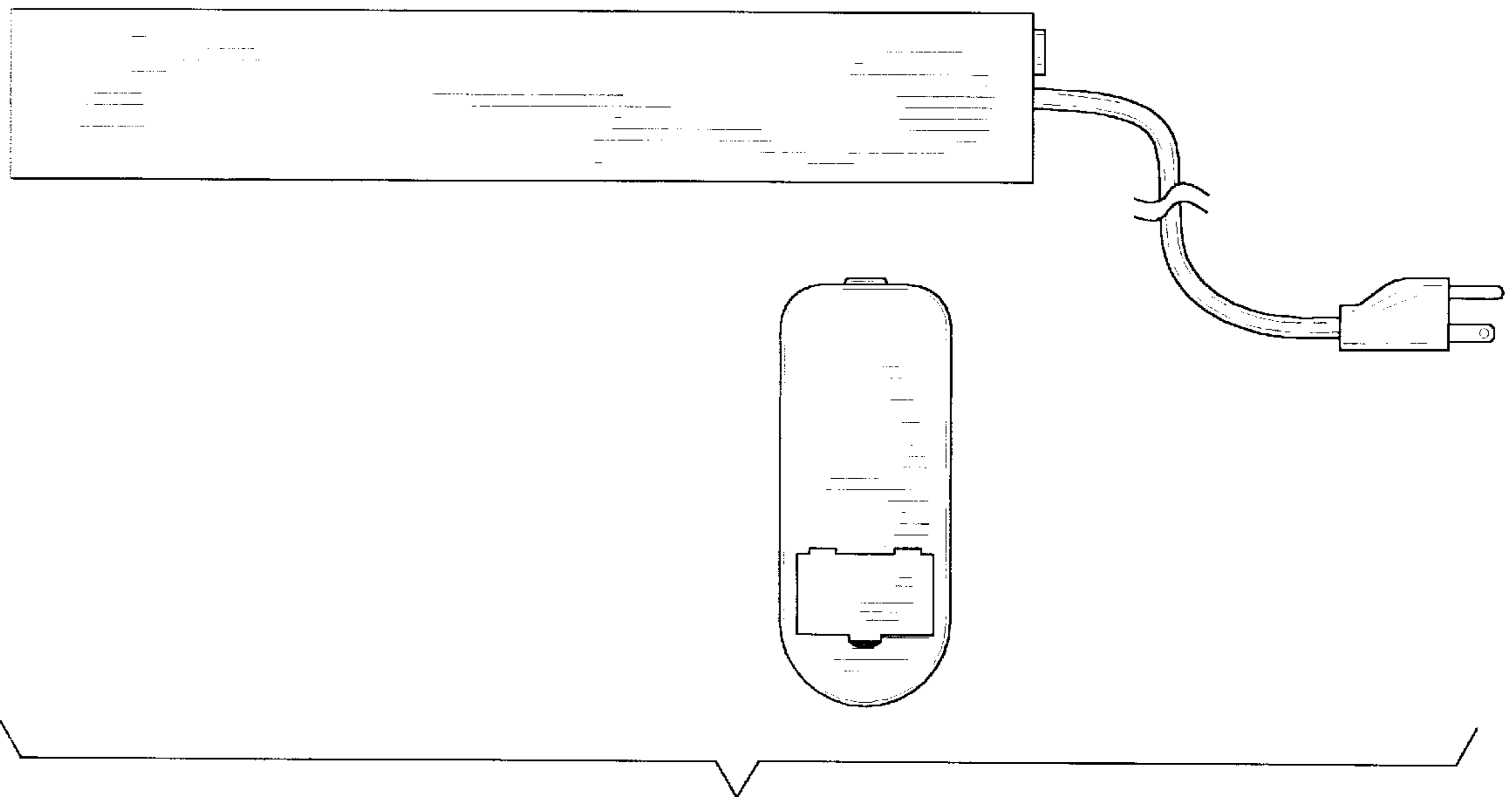


Fig. 2

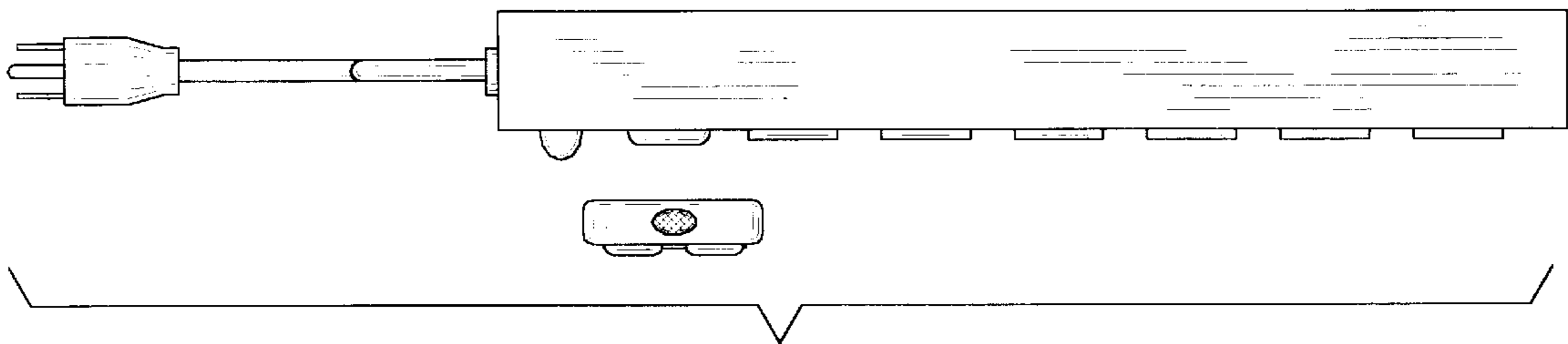
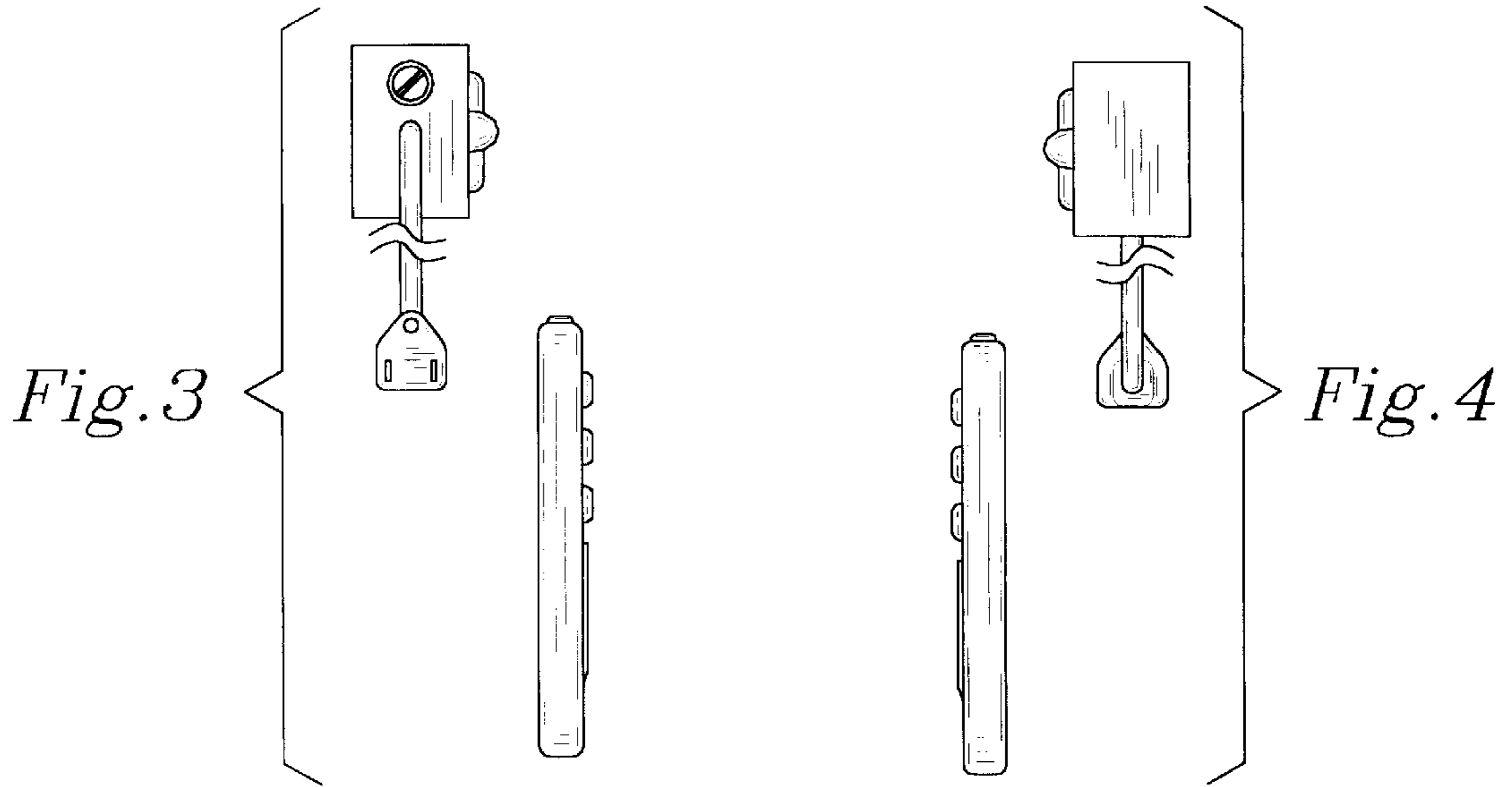


Fig. 5

Fig. 6

