



US00D411167S

United States Patent [19]
Liang

[11] **Patent Number: Des. 411,167**

[45] **Date of Patent: ** Jun. 22, 1999**

[54] **BATTERY TERMINAL CONNECTOR**

1,984,518 12/1934 Carpenter 439/756 X

[76] Inventor: **Shih-Tsung Liang**, No. 10, Lane 31,
Ta-Feng St., Lu-Chu Hsiang, Taoyuan
County, Taiwan

Primary Examiner—Joel Sincavage
Attorney, Agent, or Firm—Rosenberg, Klein & Bilker

[**] Term: **14 Years**

[57] **CLAIM**

The ornamental design for a battery terminal connector, as shown and described.

[21] Appl. No.: **29/083,474**

DESCRIPTION

[22] Filed: **Feb. 12, 1998**

[51] **LOC (6) Cl.** **13-03**

[52] **U.S. Cl.** **D13/120**

[58] **Field of Search** D13/120; 439/756,
439/761, 763, 764

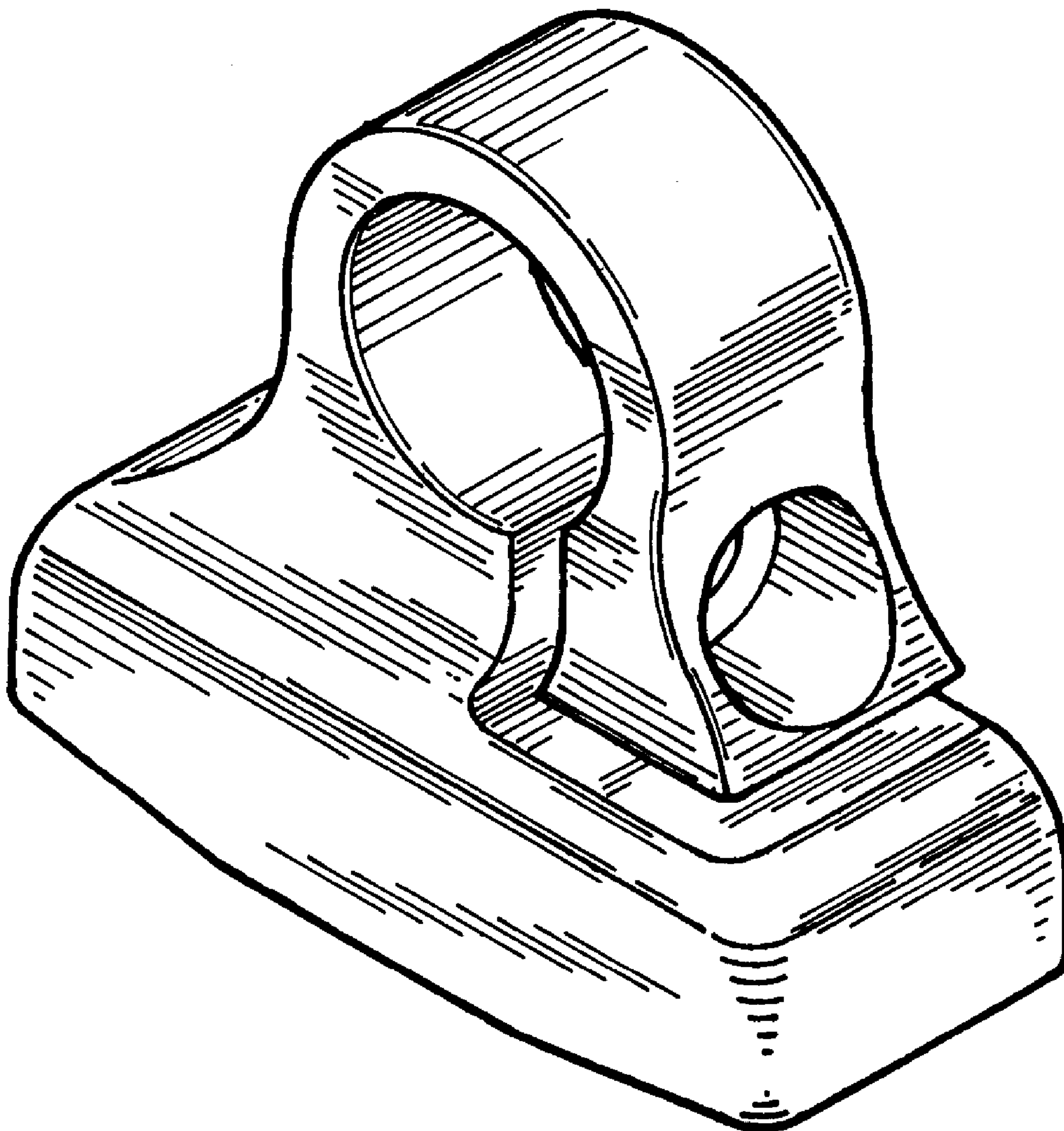
FIG. 1 is a perspective view of a battery terminal connector showing my new design;
FIG. 2 is a top plan view thereof;
FIG. 3 is a bottom plan view thereof;
FIG. 4 is a front elevational view thereof;
FIG. 5 is a rear elevational view thereof;
FIG. 6 is a left side elevational view thereof; and,
FIG. 7 is a right side elevational view thereof.

[56] **References Cited**

U.S. PATENT DOCUMENTS

54,065 11/1866 Cook 439/756

1 Claim, 4 Drawing Sheets



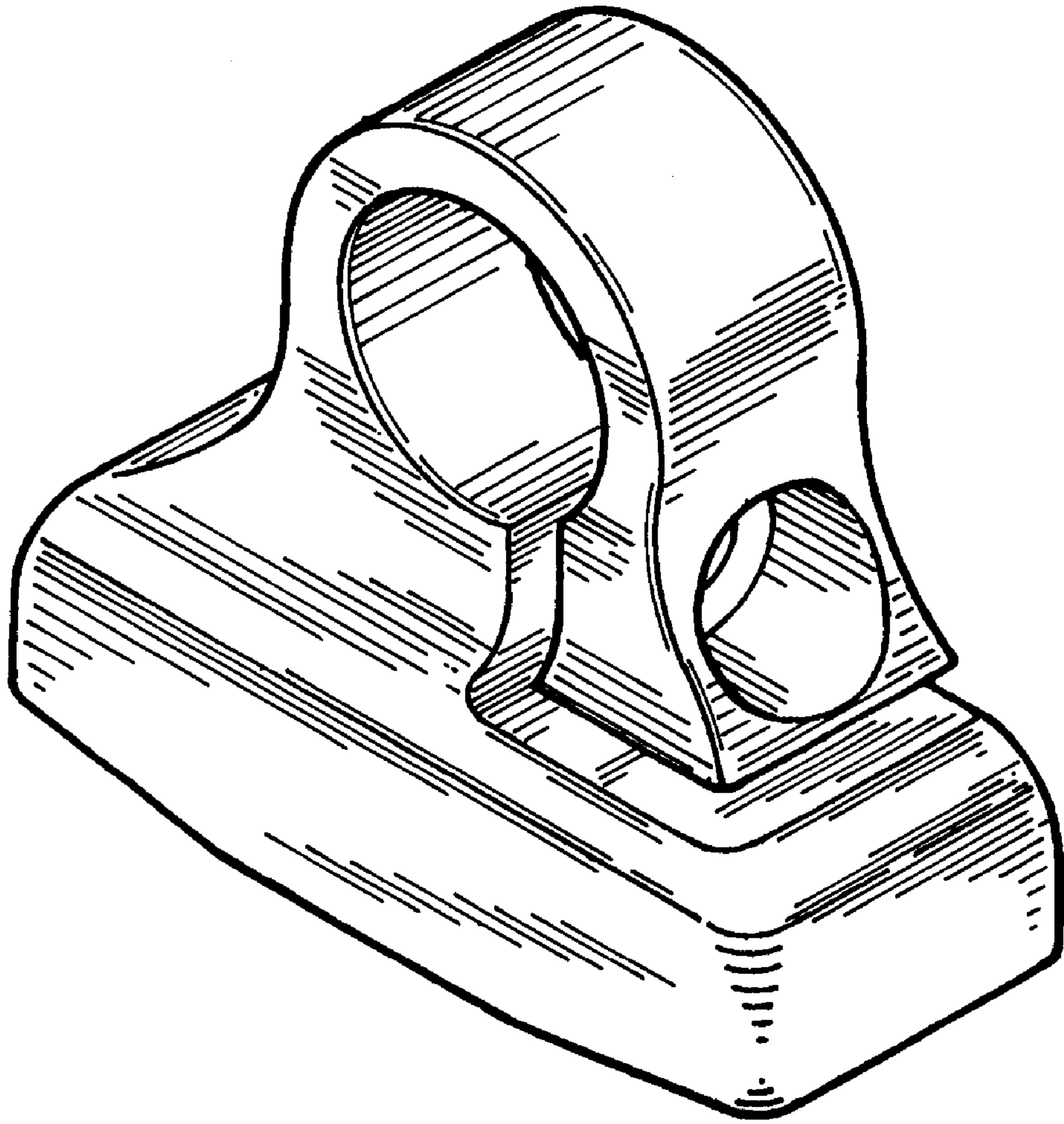


FIG. 1

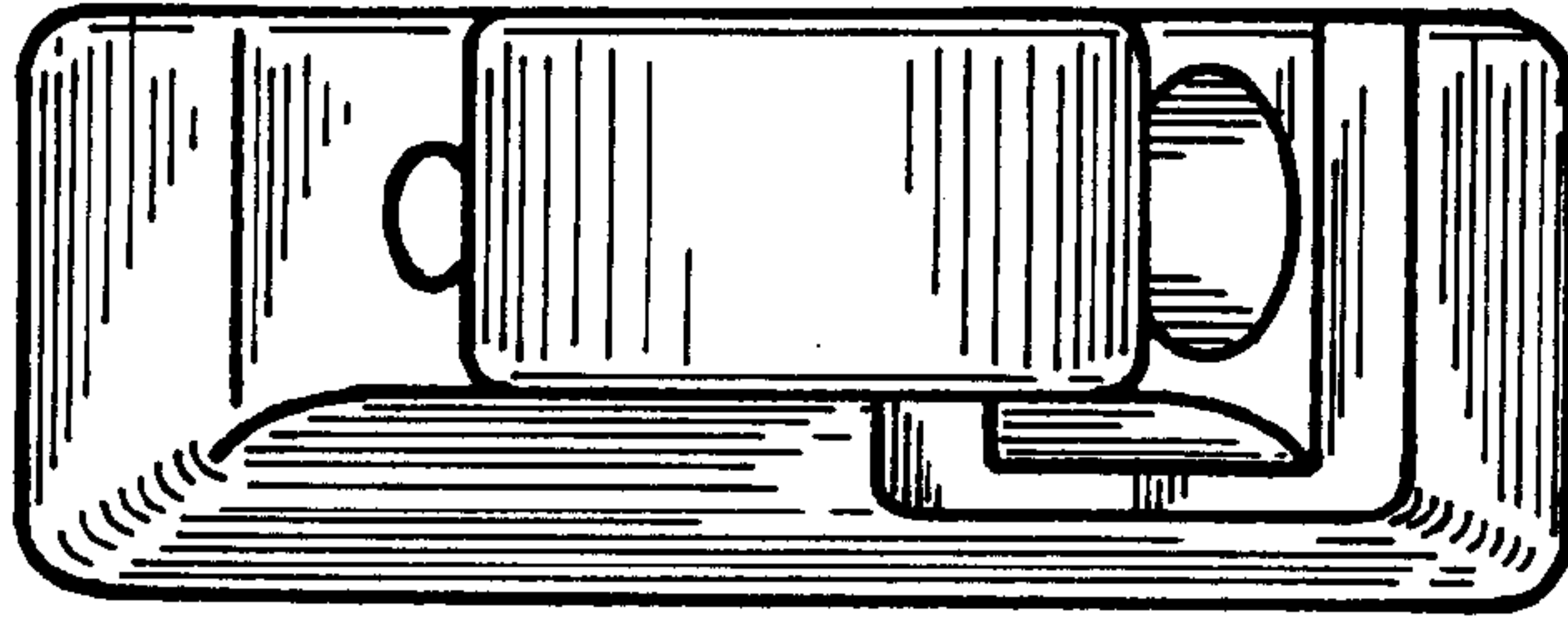


FIG. 2

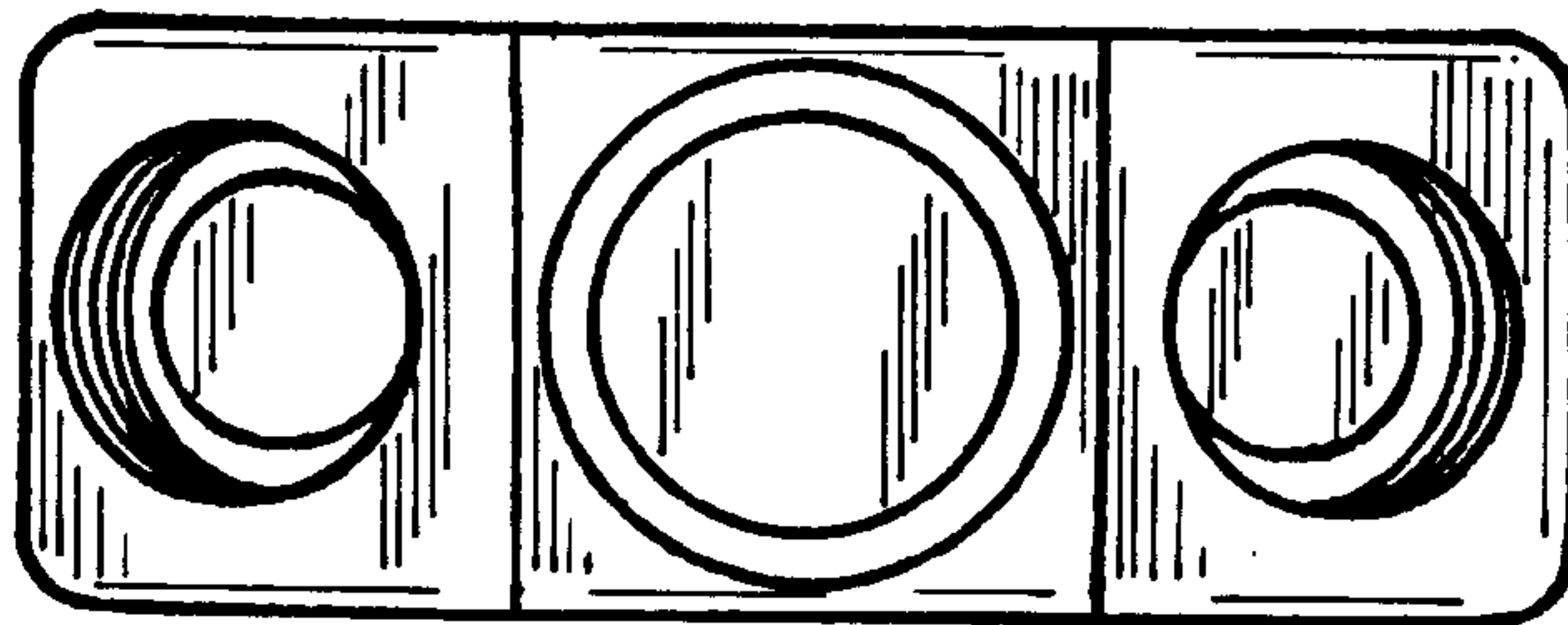


FIG. 3

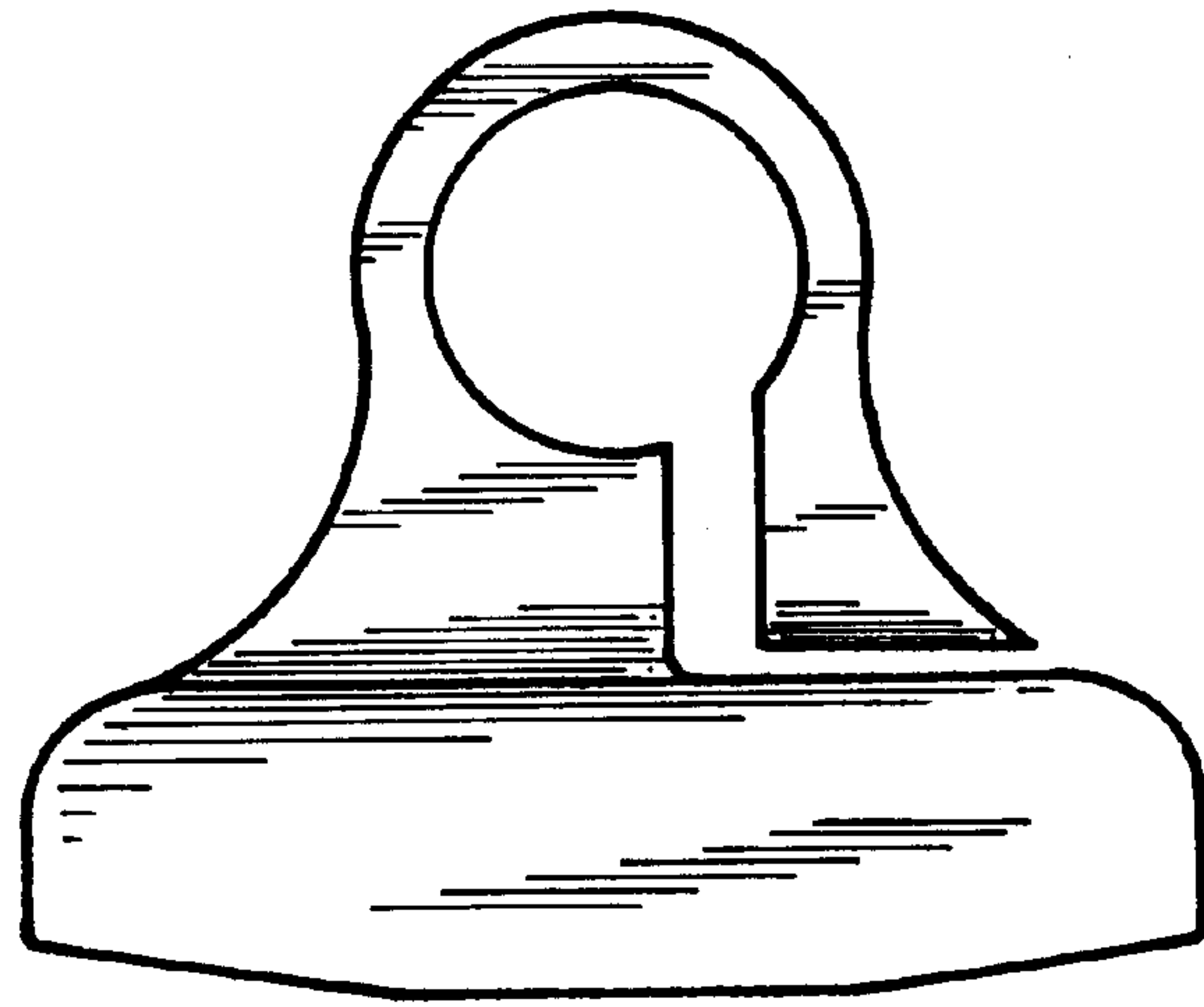


FIG. 4

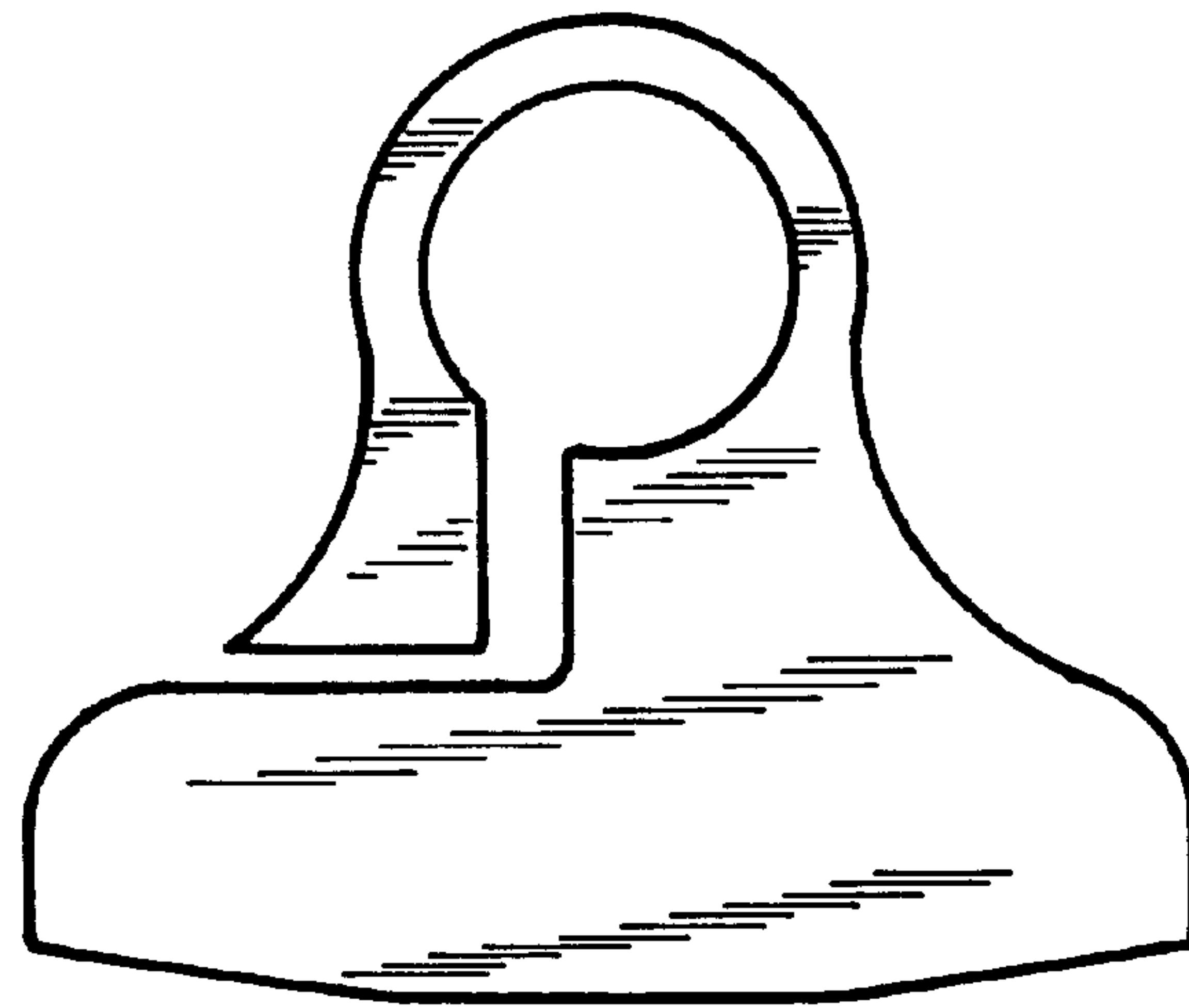


FIG. 5

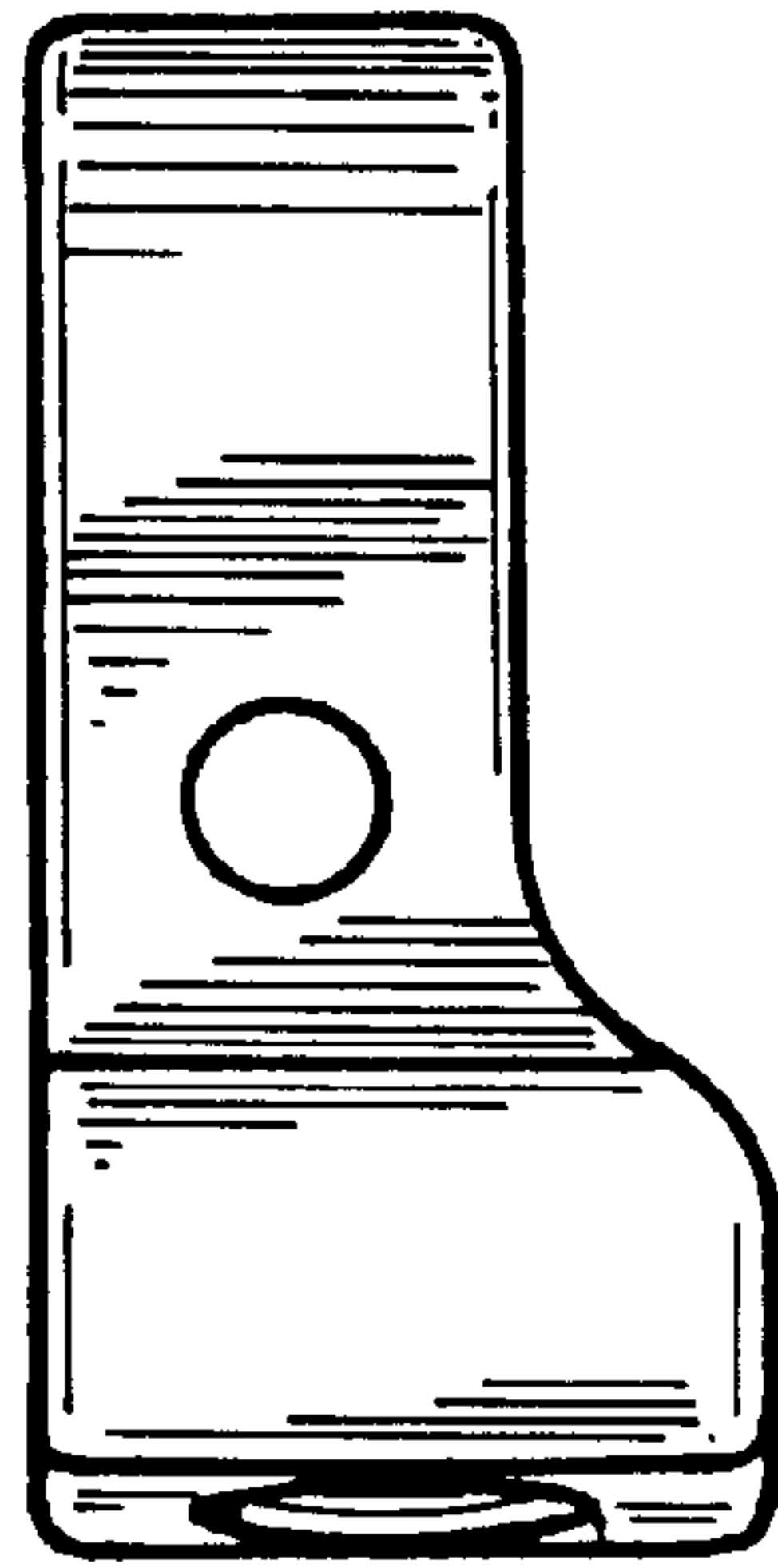


FIG. 6

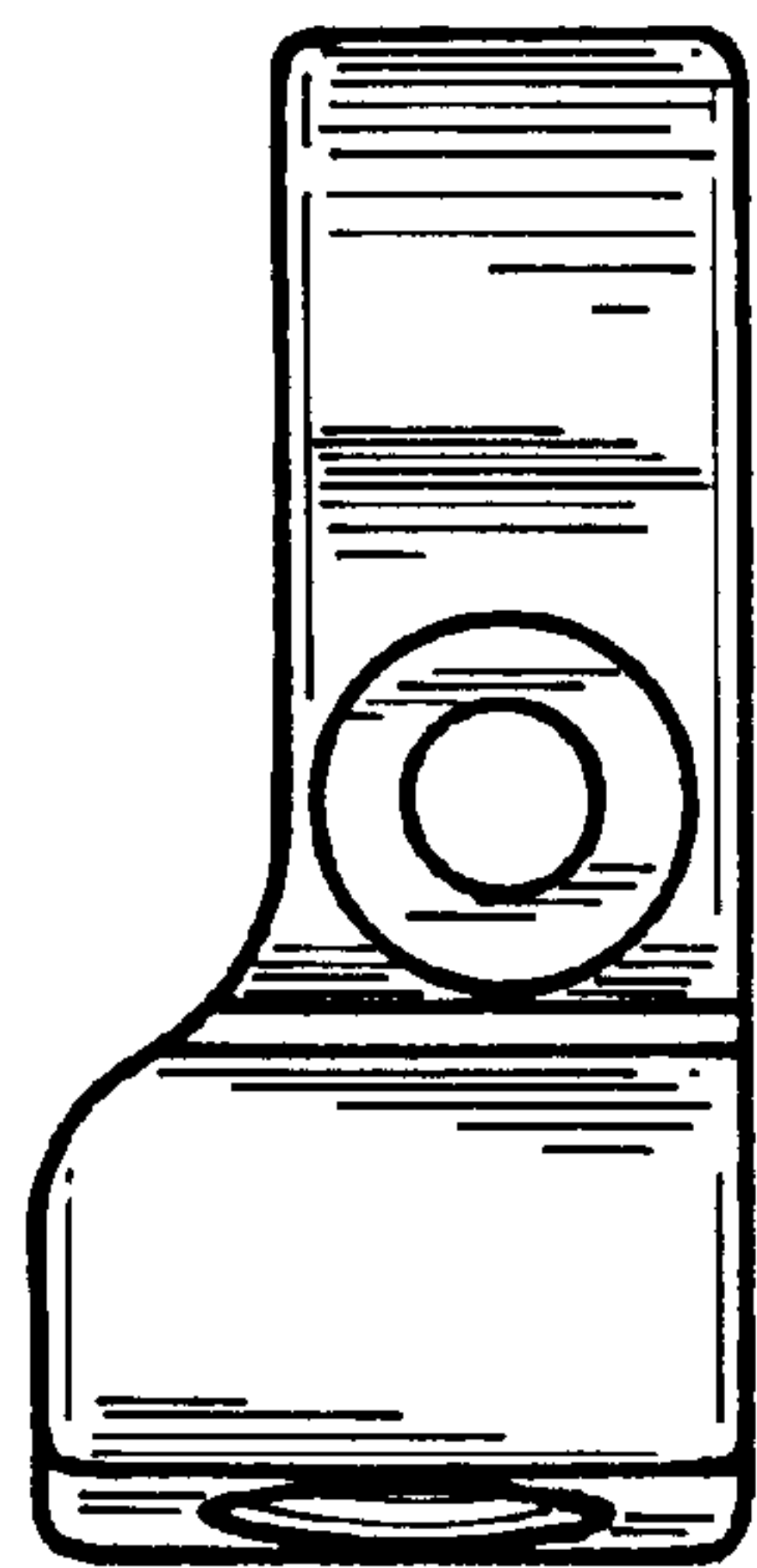


FIG. 7