



US00D411158S

United States Patent [19] Chung

[11] Patent Number: Des. 411,158

[45] Date of Patent: ** Jun. 22, 1999

[54] AUTOMOTIVE WHEEL

[75] Inventor: Suny Chung, Placentia, Calif.

[73] Assignee: DM Tech America, Inc., Cerritos, Calif.

[**] Term: 14 Years

[21] Appl. No.: 29/094,840

[22] Filed: Oct. 13, 1998

[51] LOC (6) Cl. 12-16

[52] U.S. Cl. D12/209

[58] Field of Search D12/204-213;
301/64.1, 65, 37.1

[56] **References Cited**

U.S. PATENT DOCUMENTS

D. 385,246	10/1997	Neeper	D12/209
D. 386,740	11/1997	Cullen	D12/209
D. 390,822	2/1998	Neeper	D12/209
D. 393,442	4/1998	Noriega	D12/209

D. 395,862	7/1998	Cullen	D12/209
D. 396,443	7/1998	Neeper	D12/209
D. 396,444	7/1998	Neeper	D12/209
D. 398,276	9/1998	Neeper	D12/209
D. 399,811	10/1998	Echazabal	D12/209
D. 400,154	10/1998	Noriega	D12/209

Primary Examiner—Doris V. Coles
Assistant Examiner—Stacia Sinuik
Attorney, Agent, or Firm—G. Donald Weber, Jr.

[57] **CLAIM**

The ornamental design for an automotive wheel, as shown and described.

DESCRIPTION

FIG. 1 is an oblique view of the automotive wheel of the instant invention.

FIG. 2 is a plan view of the automotive wheel of the instant invention.

The broken line showing of environment is for illustrative purposes only and forms no part of the claimed design.

1 Claim, 1 Drawing Sheet

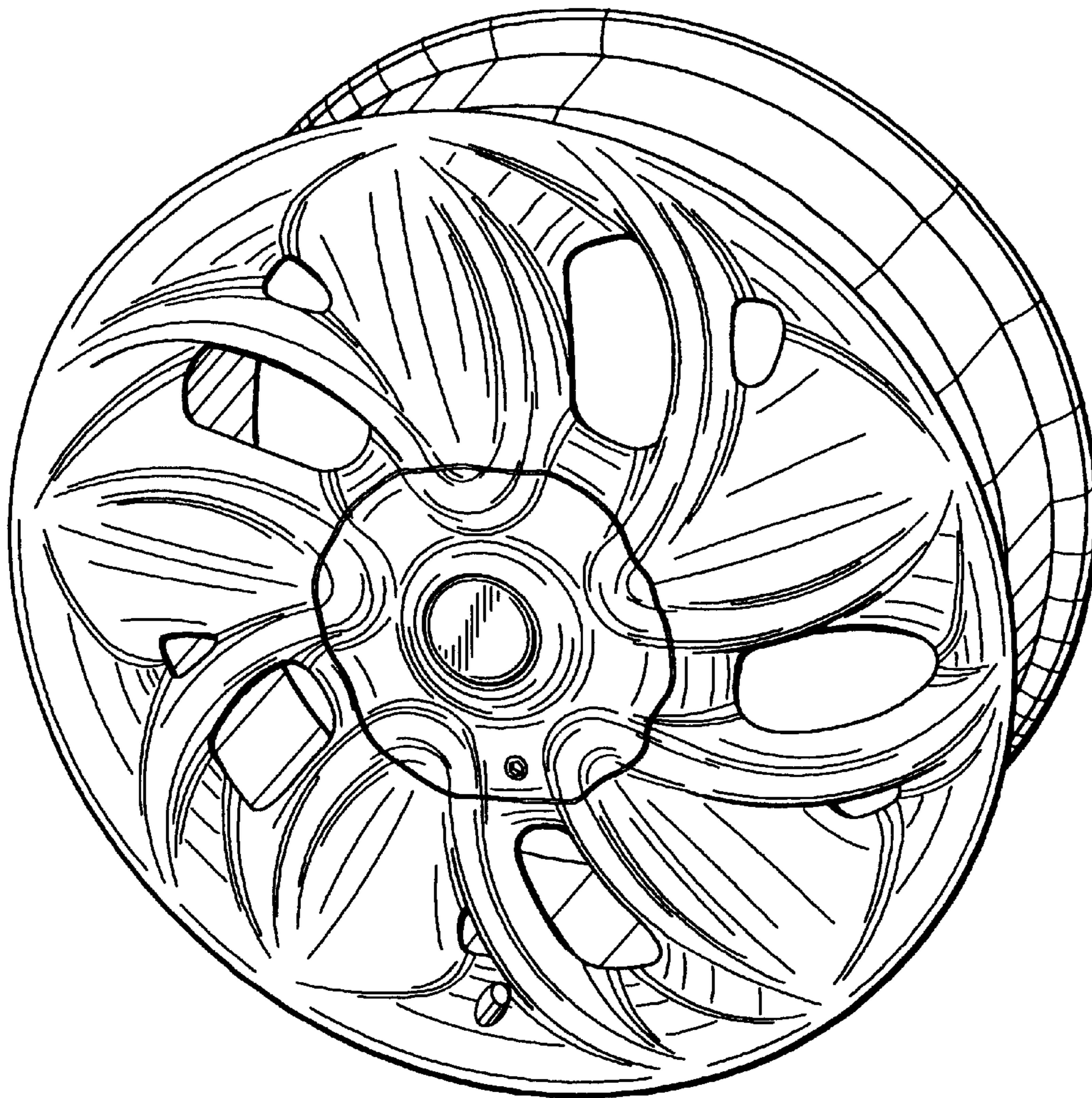


FIG. 1

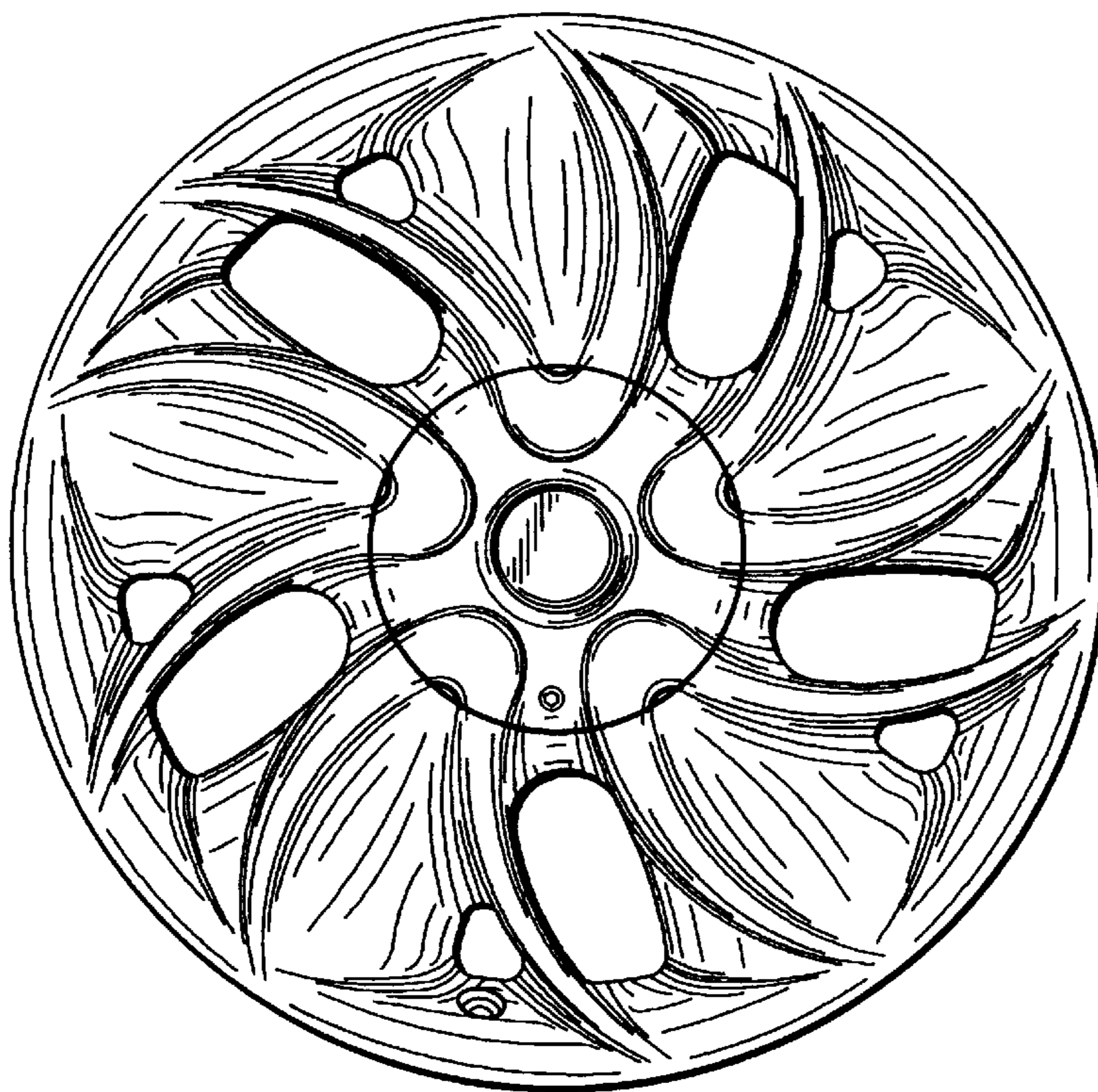
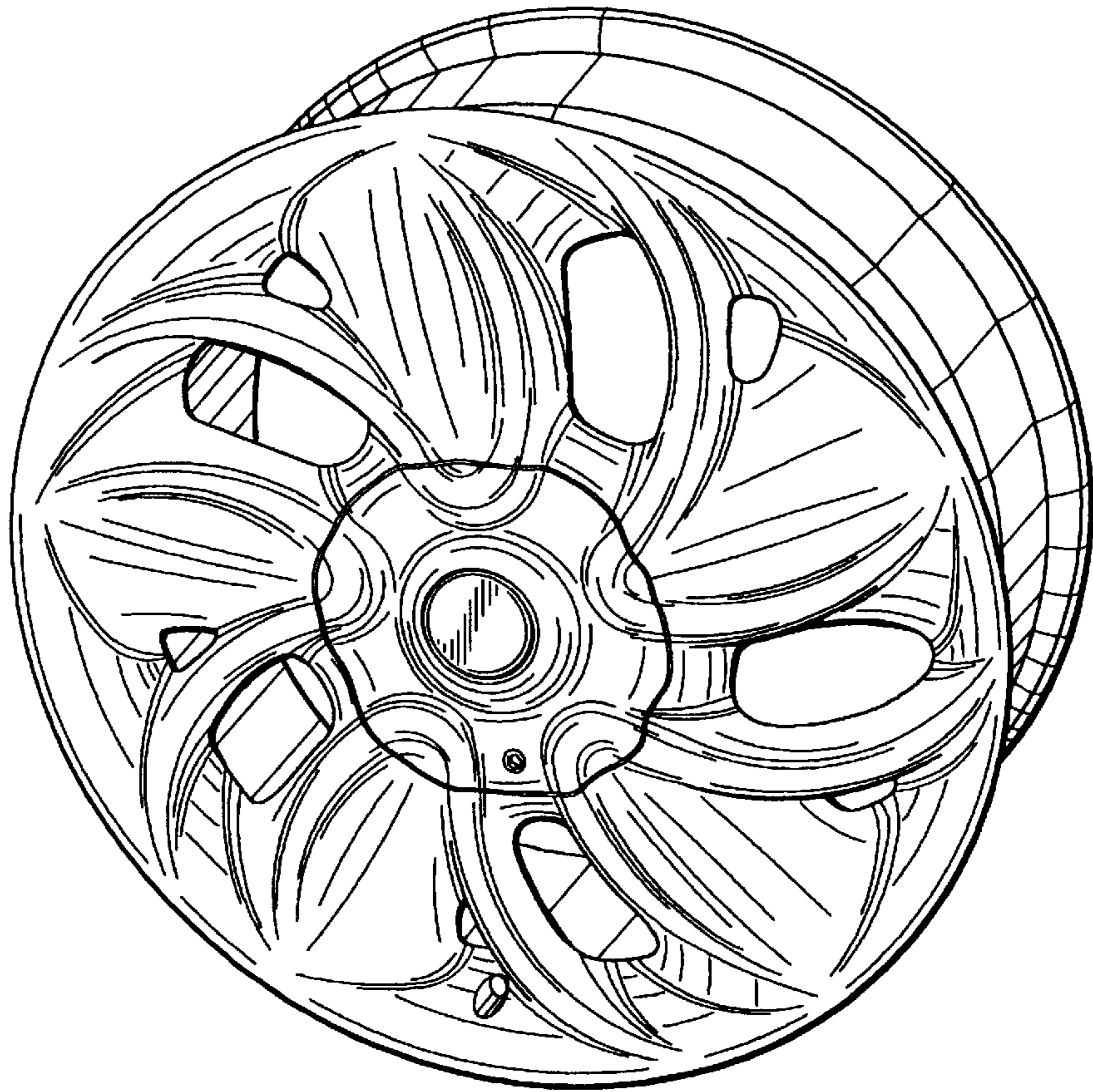


FIG. 2