



US00D411156S

**United States Patent** [19]  
**Grabowski et al.**

[11] **Patent Number: Des. 411,156**  
[45] **Date of Patent: \*\* Jun. 22, 1999**

[54] **LICENSE PLATE CARRIER FOR A MOTOR VEHICLE**

4,917,426 4/1990 Copp ..... 293/142

**OTHER PUBLICATIONS**

[75] Inventors: **Norbert E. Grabowski**, Rochester Hills; **Joseph M. Geraci**, Lake Orion; **Timothy W. Anness**, Rochester Hills; **Carl Mather**, Lake Orion, all of Mich.

Continental Tire Kit for Vans, J.C. Whitney Catalog #527R, p. 70, Feb. 6, 1991.

Co-pending Utility Application filed concurrently entitled "License Plate Carrier For A Motor Vehicle", 09/131,622, Aug. 10, 1998.

[73] Assignee: **Chrysler Corporation**, Auburn Hills, Mich.

*Primary Examiner*—Robert M. Spear  
*Attorney, Agent, or Firm*—Mark P. Calcaterra

[\*\*] Term: **14 Years**

[57] **CLAIM**

[21] Appl. No.: **29/092,009**

The ornamental design for a license plate carrier for a motor vehicle, as shown and described.

[22] Filed: **Aug. 11, 1998**

**DESCRIPTION**

[51] **LOC (6) Cl.** ..... **12-16**

FIG. 1 is a front and left side perspective view of a license plate carrier for a motor vehicle showing our design.

[52] **U.S. Cl.** ..... **D12/193**

FIG. 2 is a front view thereof.

[58] **Field of Search** ..... D12/193, 400,

FIG. 3 is a left side view thereof.

D12/202; D6/300, 303-306, 310-314; 40/200, 207, 208, 209, 210, 591; 224/522, 524, 527; 280/727, 769

FIG. 4 is a right side view thereof.

FIG. 5 is a top view thereof.

FIG. 6 is a bottom view thereof.

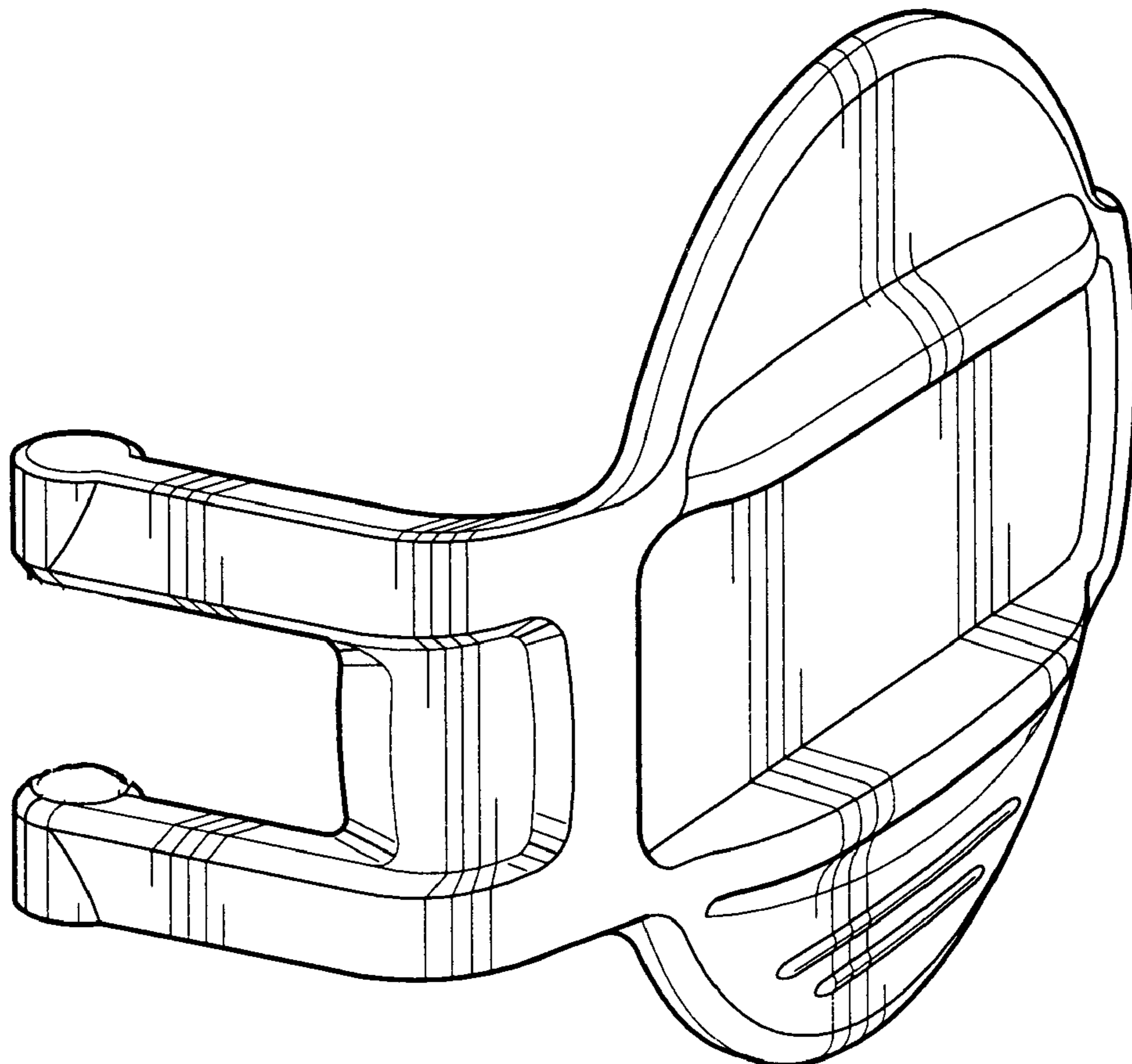
[56] **References Cited**

It being understood that the rear side is plain and unornamented and further that the rear side is not visible during use.

**U.S. PATENT DOCUMENTS**

- D. 279,799 7/1985 Kupperman et al. .... D12/193
- D. 389,438 1/1998 Guichard et al. .... D12/98

**1 Claim, 2 Drawing Sheets**



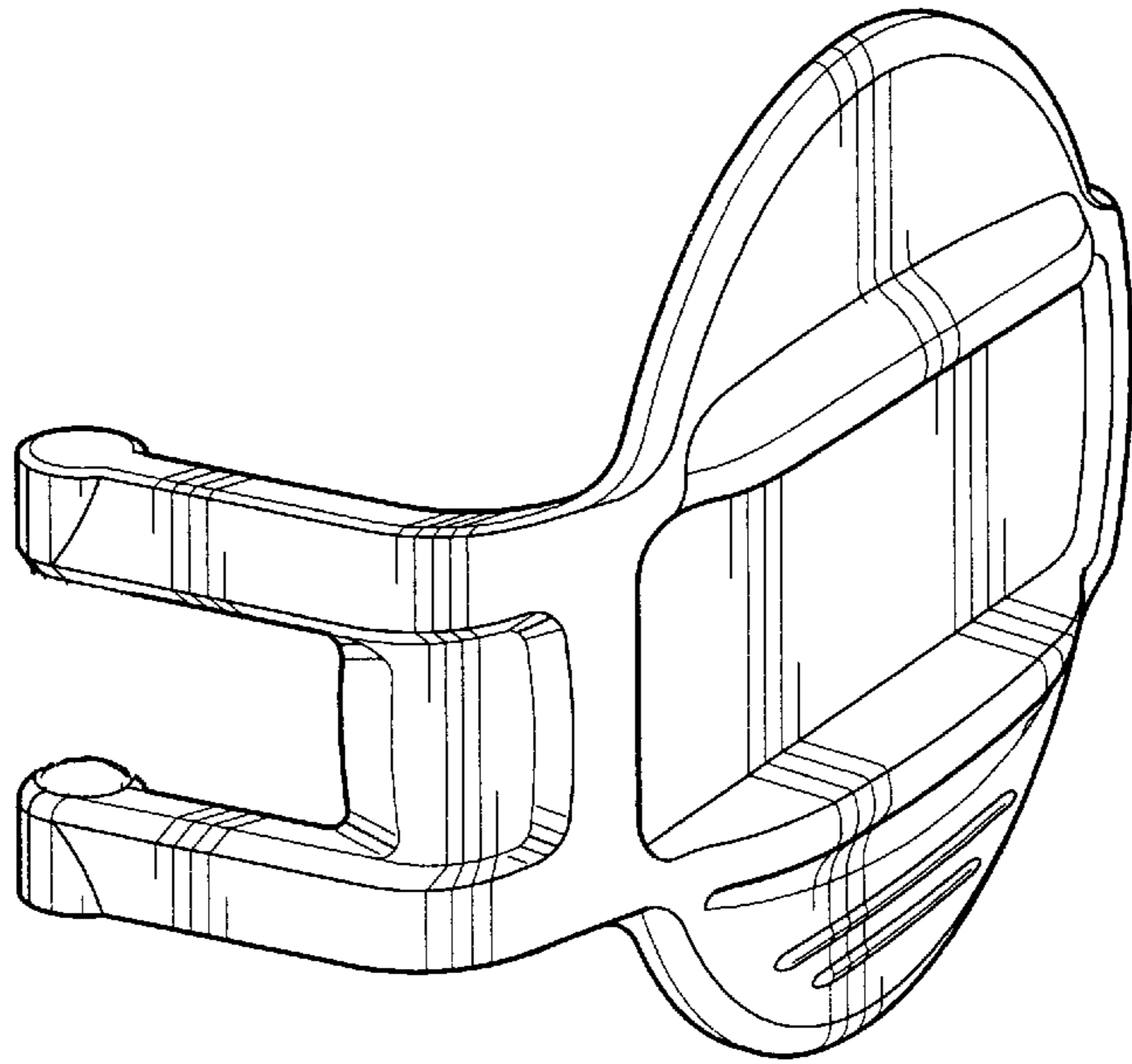


Fig-1

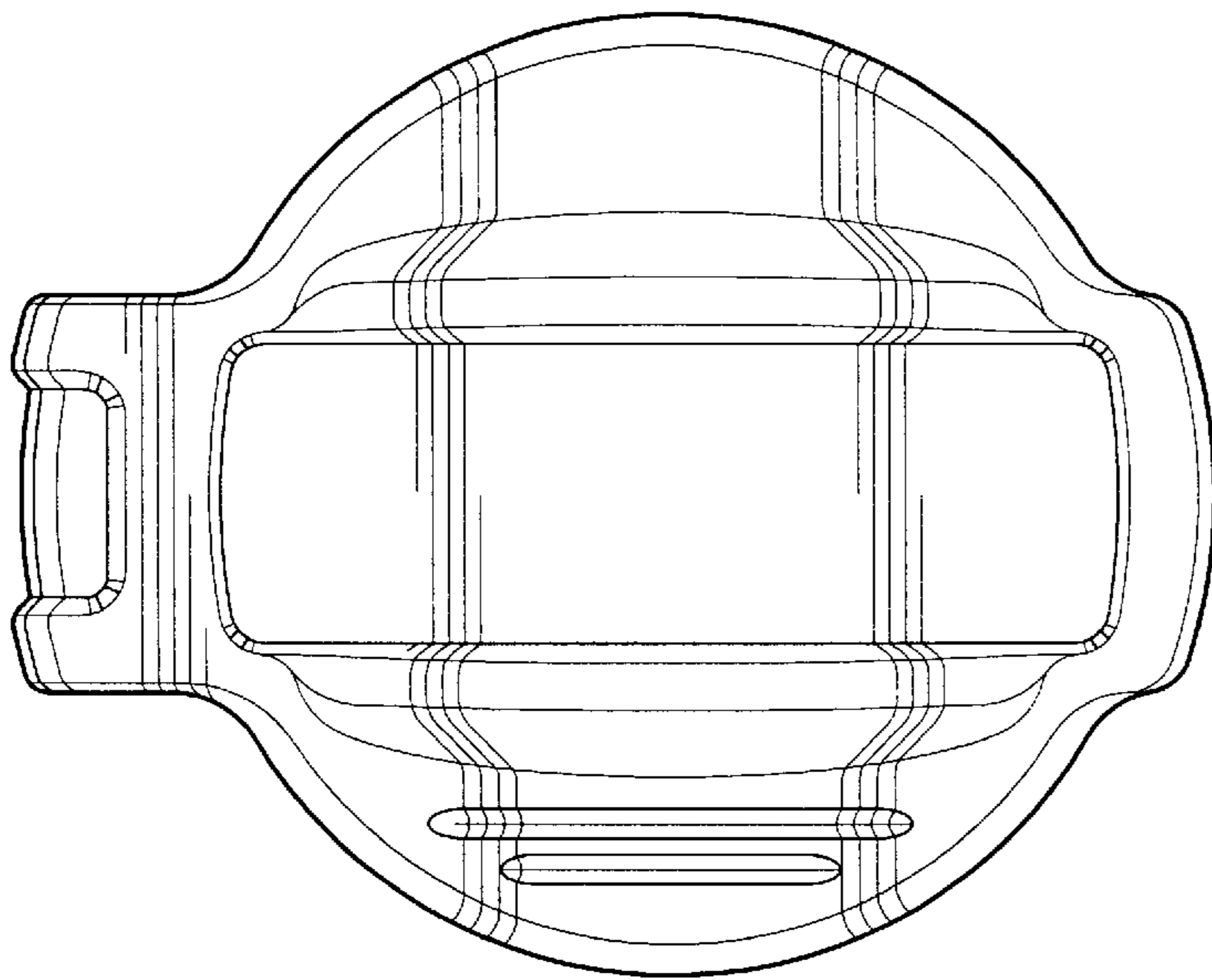


Fig-2

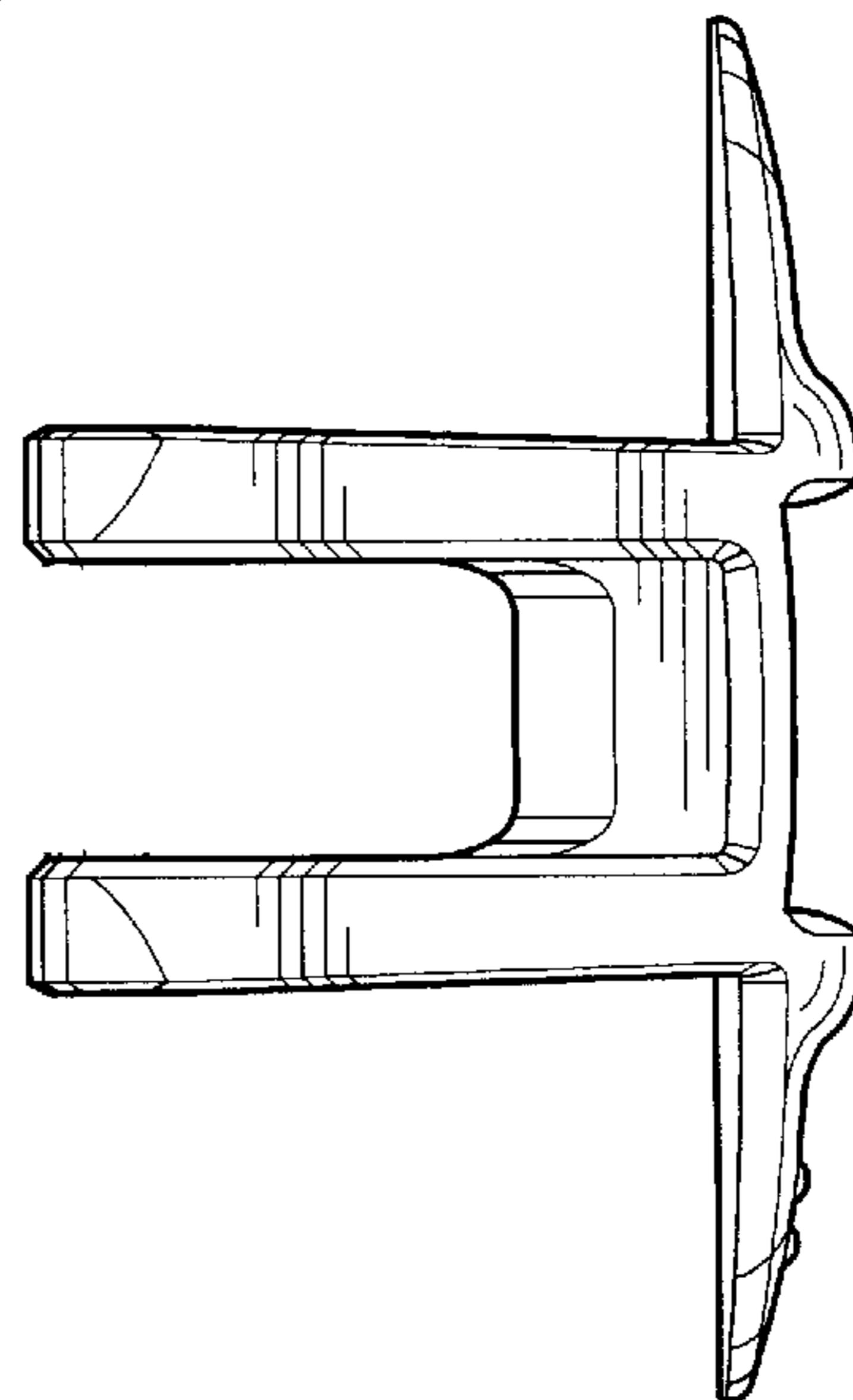


Fig-3

Fig-4

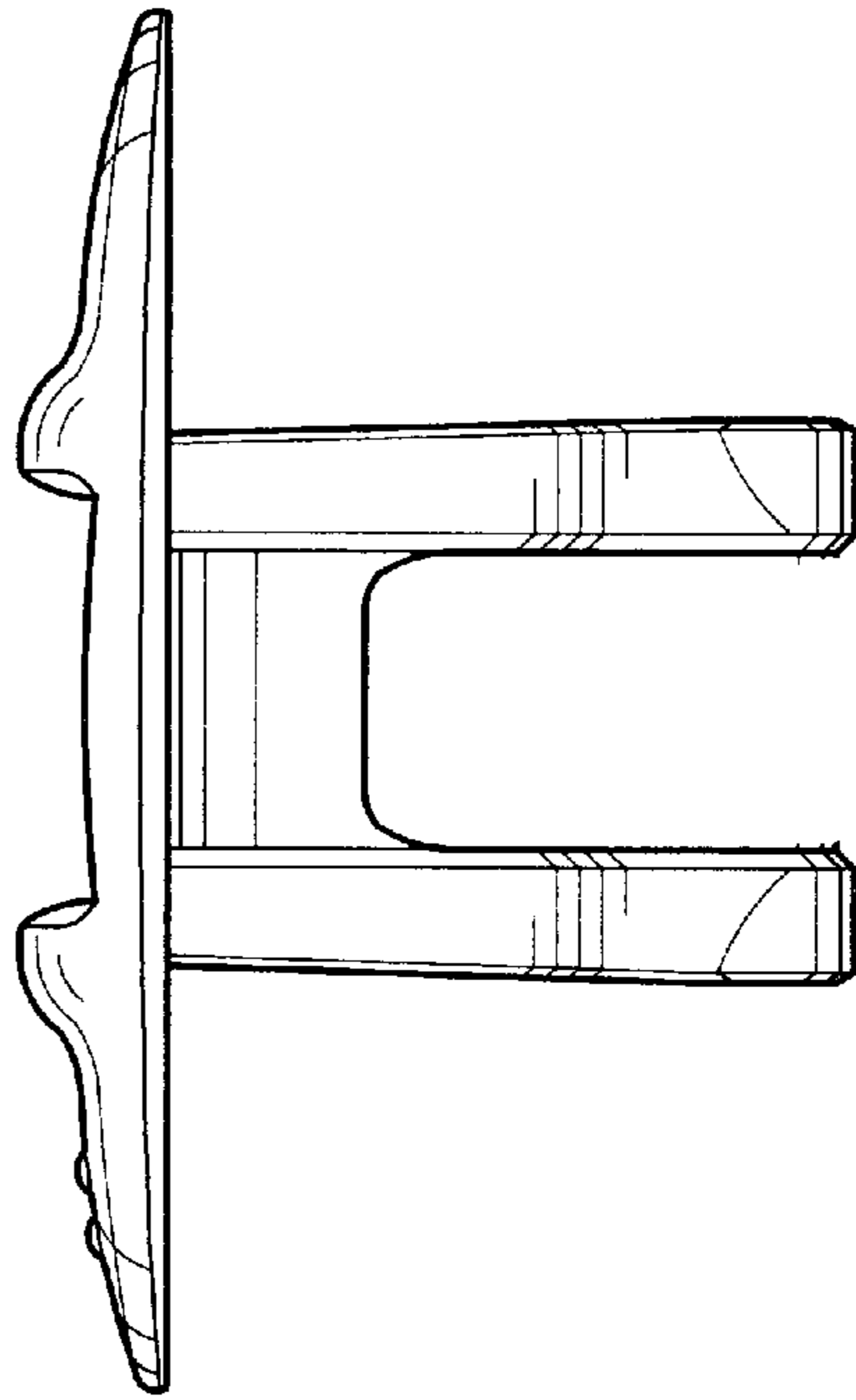


Fig-5

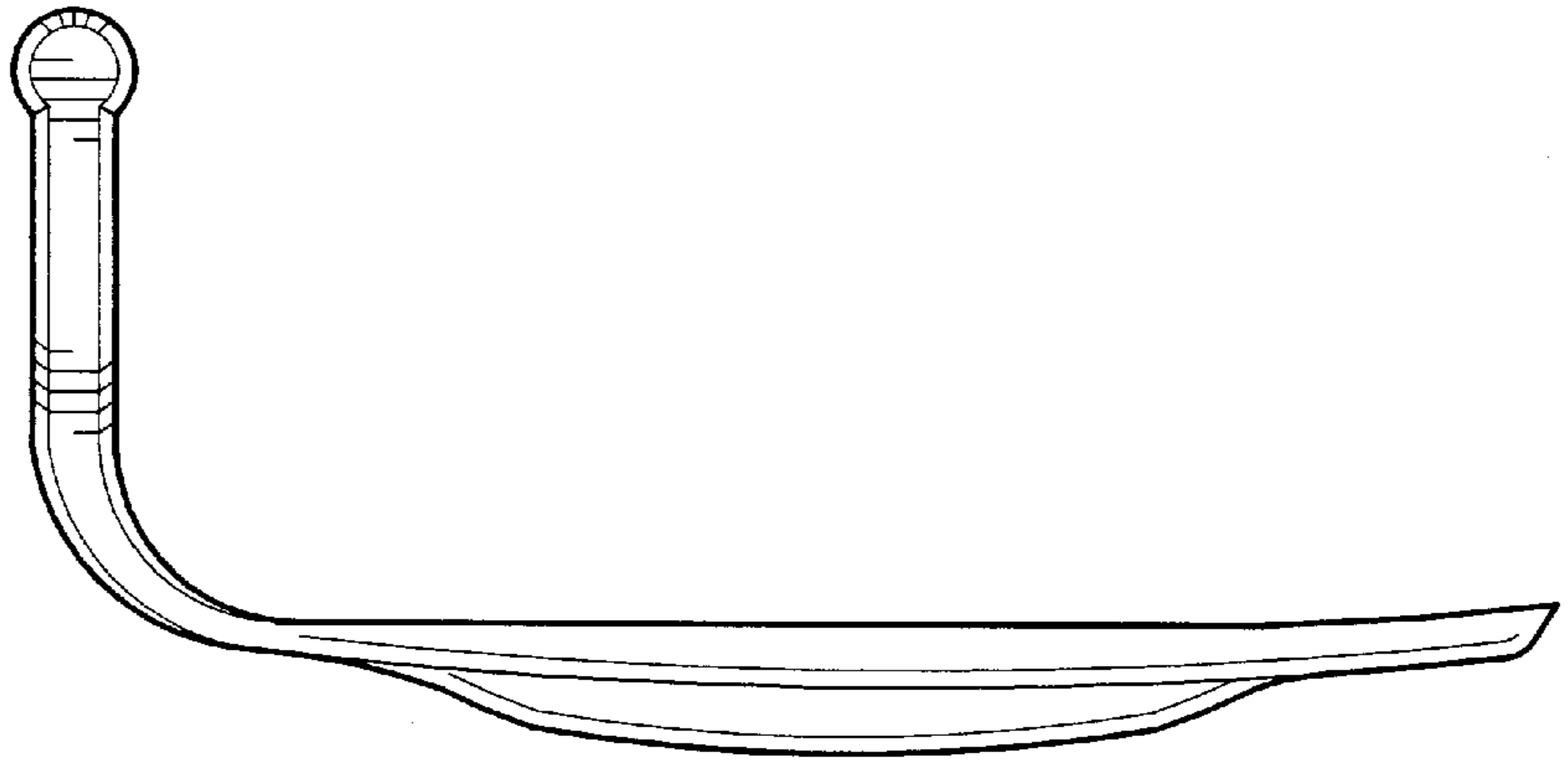


Fig-6

