



US00D411155S

United States Patent [19]

Hartmann et al.

[11] **Patent Number: Des. 411,155**

[45] **Date of Patent: ** Jun. 22, 1999**

[54] **REFLECTIVE LICENSE PLATE FRAME**

[75] Inventors: **Jerome J. Hartmann**, Carlisle;
Thomas R. Steinhagen, West Des Moines, both of Iowa

[73] Assignee: **Cobbs Manufacturing Company**, Des Moines, Iowa

[**] Term: **14 Years**

[21] Appl. No.: **29/079,015**

[22] Filed: **Nov. 6, 1997**

[51] **LOC (6) Cl.** **12-16**

[52] **U.S. Cl.** **D12/193**

[58] **Field of Search** D12/193, 400;
D6/300, 303-306, 310-314; 40/200, 207-210,
591; 224/522, 524, 527; 280/727, 769

[56] **References Cited**

U.S. PATENT DOCUMENTS

D. 163,328 5/1951 Rothman D12/193

D. 381,307 7/1997 Gwynn et al. D12/193
D. 398,270 9/1998 Spencer D12/193
1,201,786 10/1916 Willwerscheid 40/209
2,921,395 1/1960 Fishman 40/200
3,611,605 10/1971 Baker 40/200

Primary Examiner—Robert M. Spear

[57] **CLAIM**

The ornamental design for a reflective license plate frame, as shown and described.

DESCRIPTION

FIG. 1 is a front elevational view of a reflective license plate frame.

FIG. 2 is a top view thereof, the bottom view being a mirror image.

FIG. 3 is a left end view thereof, the right end view being a mirror image.

FIG. 4 is a rear elevational view thereof; and

FIG. 5 is a front perspective view thereof, showing one of the four snap in reflective bolt covers removed.

1 Claim, 2 Drawing Sheets

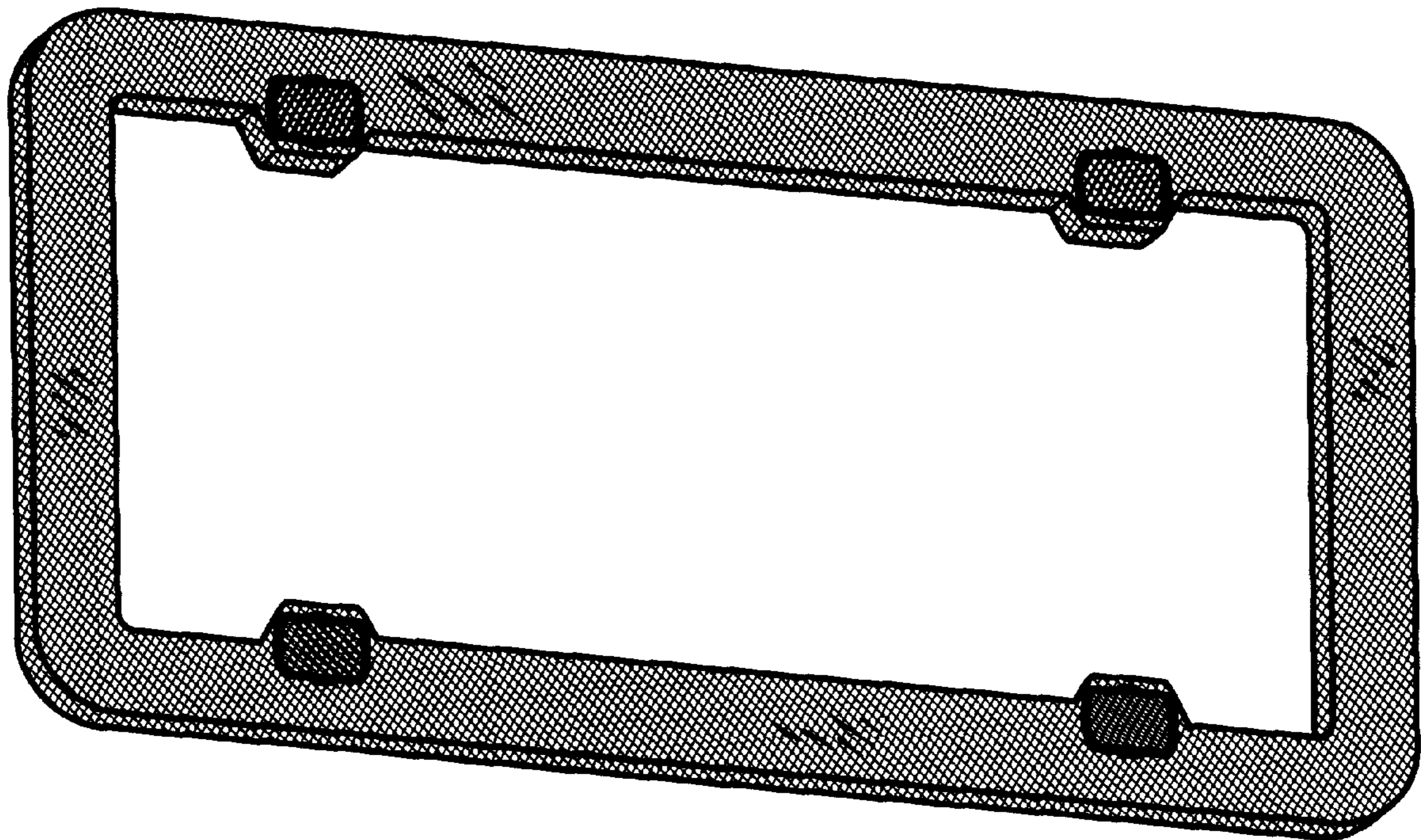


Fig 1

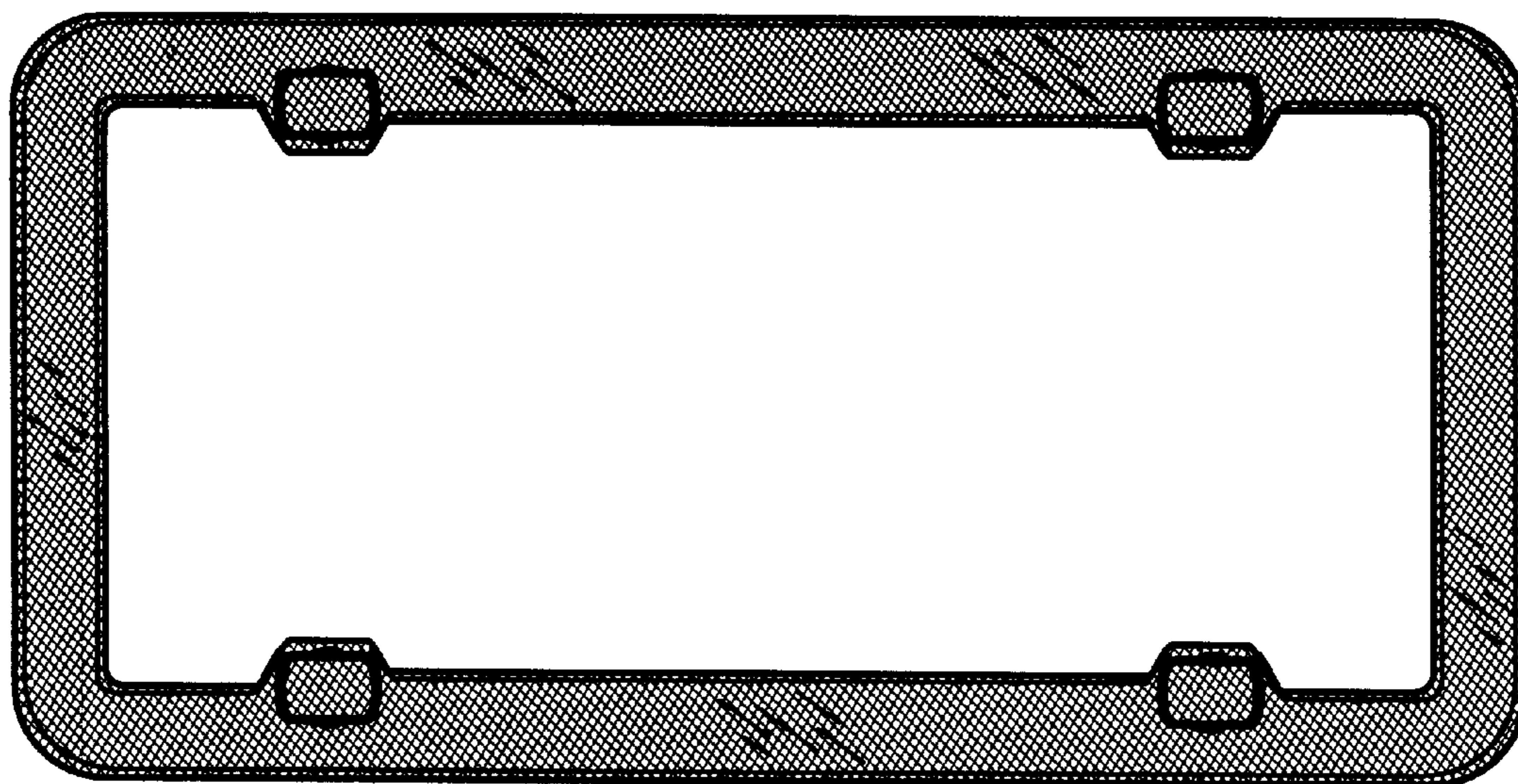


Fig 2



Fig 3



Fig 4

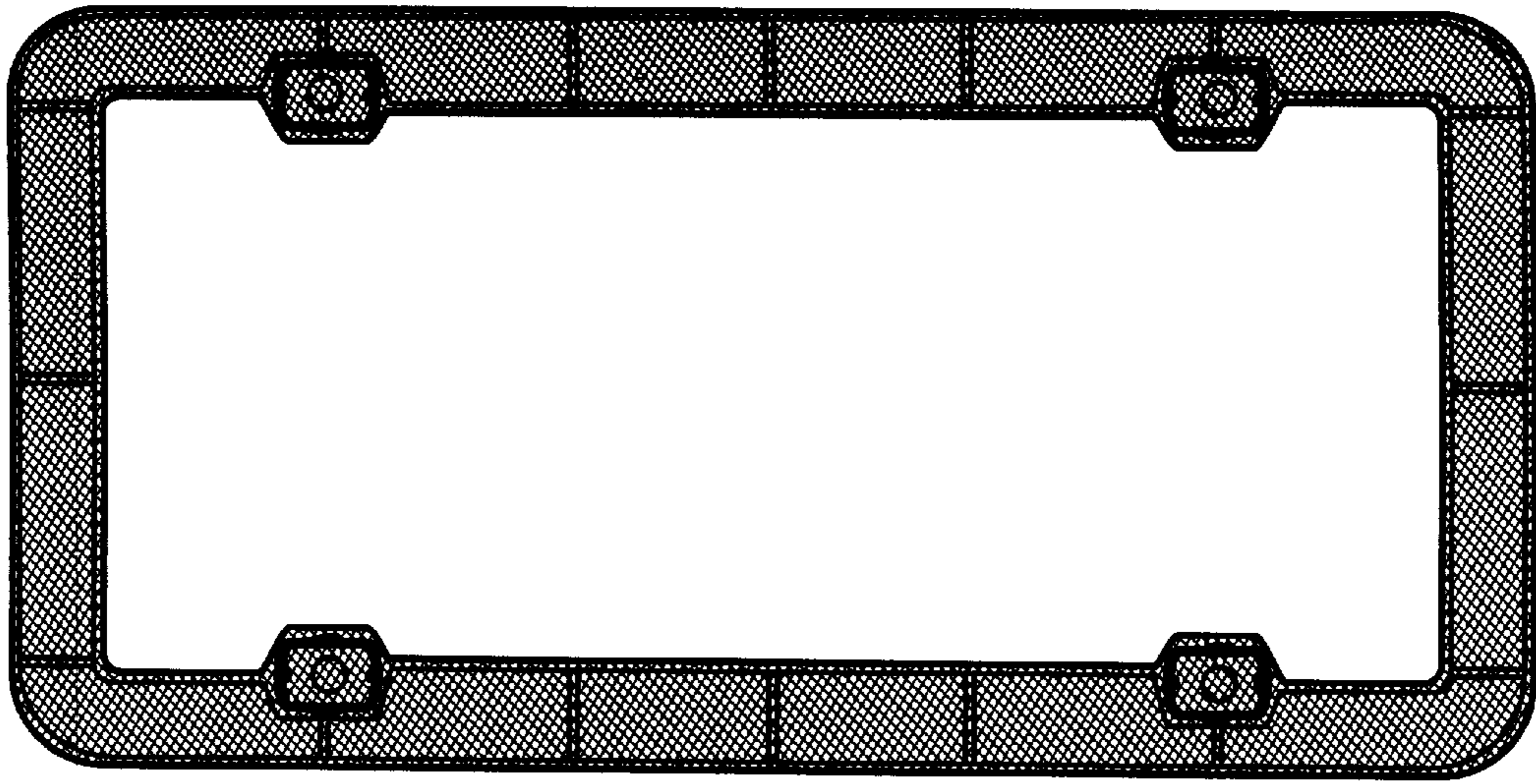


Fig 5

