



US00D411152S

# United States Patent [19]

Hagmaier et al.

[11] Patent Number: Des. 411,152

[45] Date of Patent: \*\* Jun. 22, 1999

[54] TIRE TREAD

[75] Inventors: **Rodger Arland Hagmaier; Simon Shyhwen Wang**, both of Hudson, Ohio

[73] Assignee: **The Goodyear Tire & Rubber Company**, Akron, Ohio

[\*\*] Term: **14 Years**

[21] Appl. No.: **29/088,546**

[22] Filed: **May 27, 1998**

[51] LOC (6) Cl. .... **12-15**

[52] U.S. Cl. .... **D12/147**

[58] Field of Search ..... D12/141-143, D12/146-151; 152/209 RR, 209 NS, 209 AS, 209 AG, 209 BY, 209 LG, 209 RB, 209 DP

[56] **References Cited**

**U.S. PATENT DOCUMENTS**

D. 271,754	12/1983	Jansen et al. ....	D12/146
D. 292,085	9/1987	Hatakenaka .....	D12/147
D. 294,687	3/1988	Stelzer .....	D12/142
D. 313,778	1/1991	Kobayashi et al. ....	D12/146
D. 328,578	8/1992	Cormier et al. ....	D12/146
D. 339,557	9/1993	Lurois .....	D12/143
D. 350,102	8/1994	Evraert et al. ....	D12/147
D. 380,999	7/1997	Lurois et al. ....	D12/147

D. 391,203	2/1998	Gillard et al. ....	D12/146
D. 405,733	2/1999	Robert .....	D12/147
4,320,790	3/1982	Corner et al. ....	152/209 R

**OTHER PUBLICATIONS**

Kumho 943 Tire, 1996 Tread Design Guide. P. 146, Feb. 1996.

*Primary Examiner*—Robert M. Spear  
*Attorney, Agent, or Firm*—T P Lewandowski

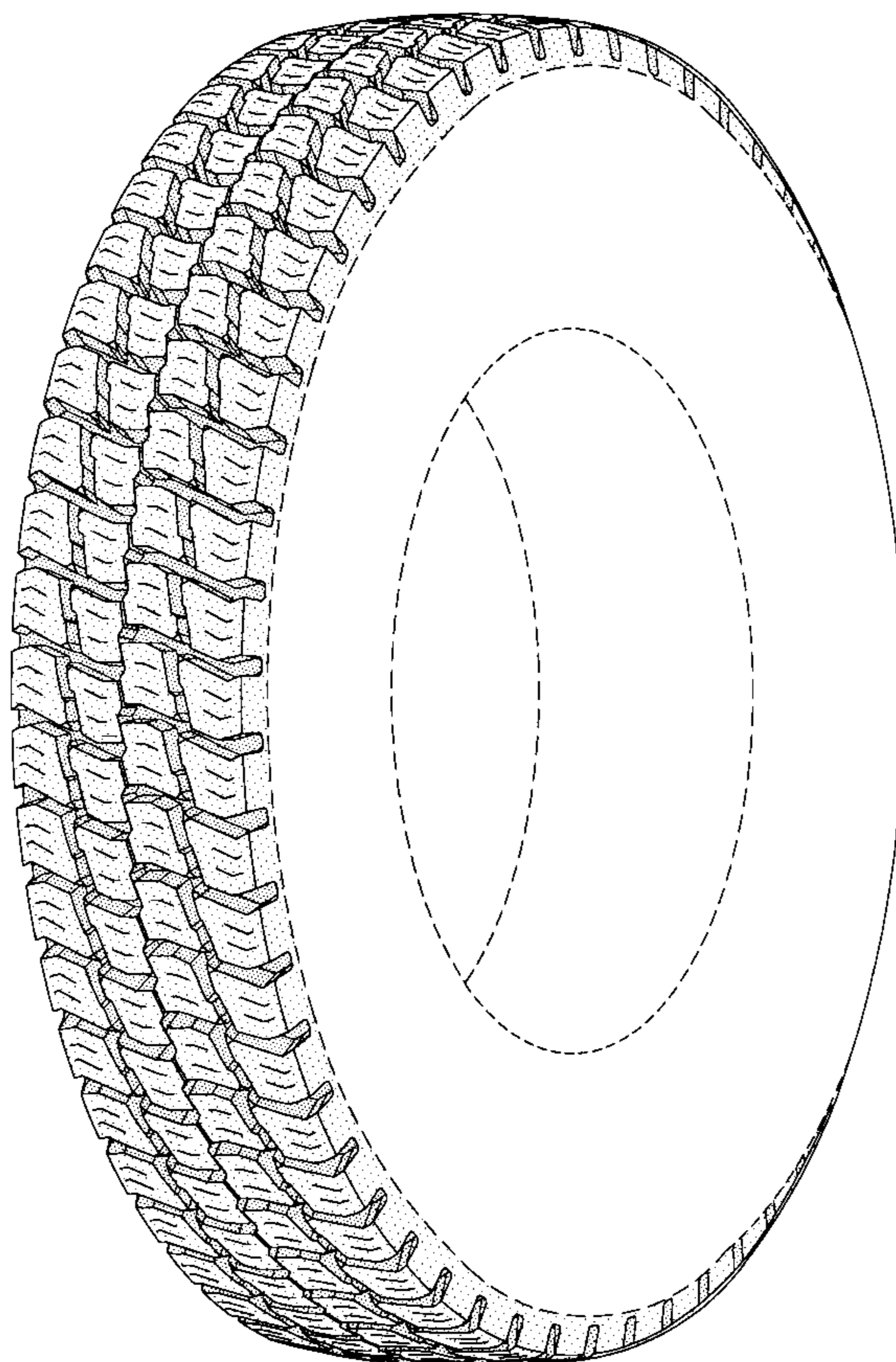
[57] **CLAIM**

The ornamental design for a tire tread, as shown and described.

**DESCRIPTION**

FIG. 1 is a perspective view of a tire tread showing our new design, it being understood that the pattern repeats uniformly throughout the circumference of the tread; FIG. 2 is a front elevational view thereof; FIG. 3 is a side elevational view thereof, the opposite side elevational view being identical thereto; and, FIG. 4 is an enlarged fragmentary front perspective view. In the drawings, the broken lines defining the inner bead of the sidewall and the peripheral boundary between the tire tread and the sidewall are for illustrative purposes only and form no part of the claimed design.

**1 Claim, 4 Drawing Sheets**



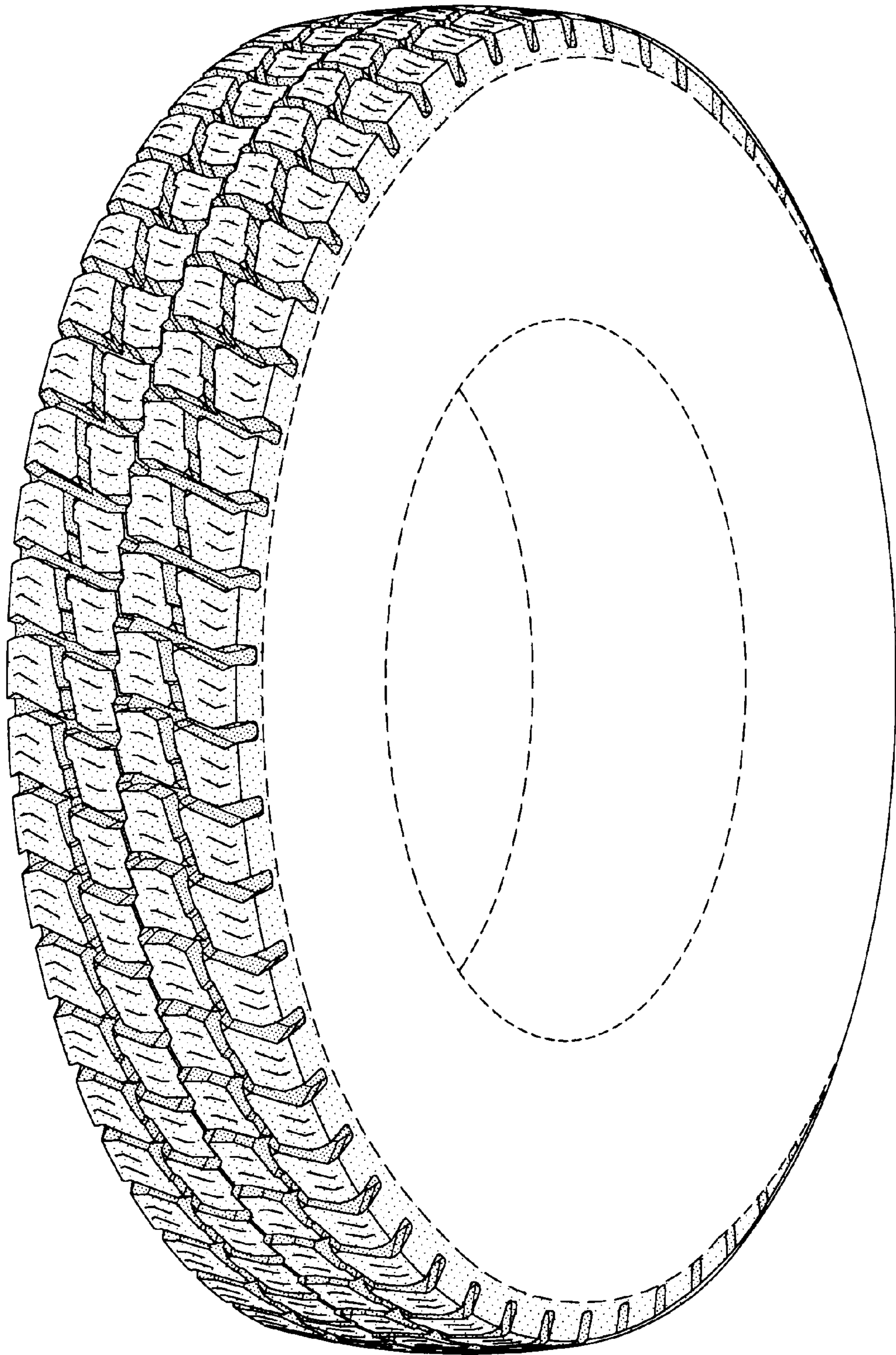


FIG-1

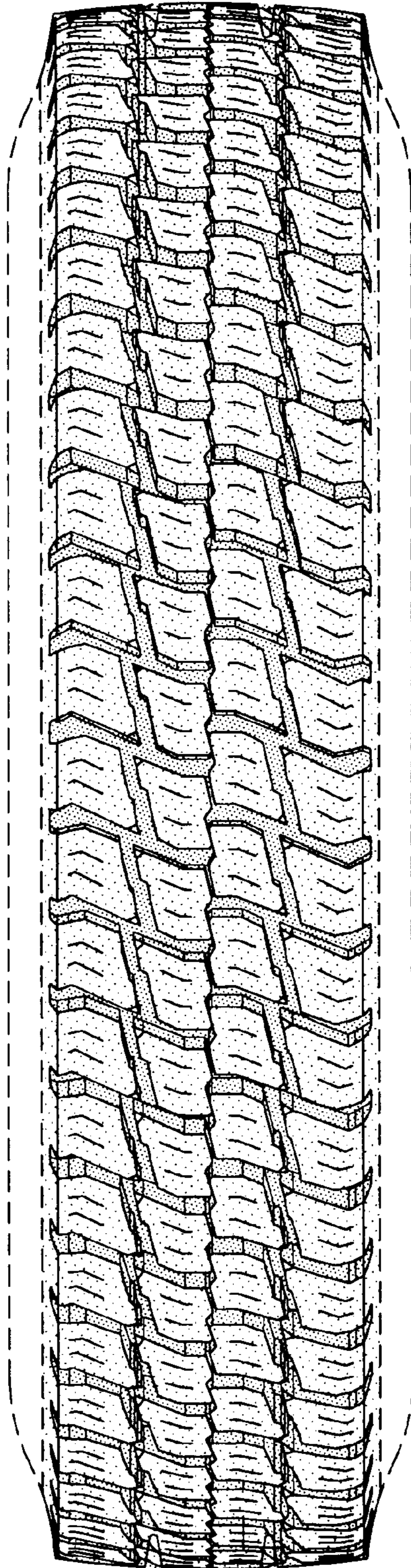


FIG-2

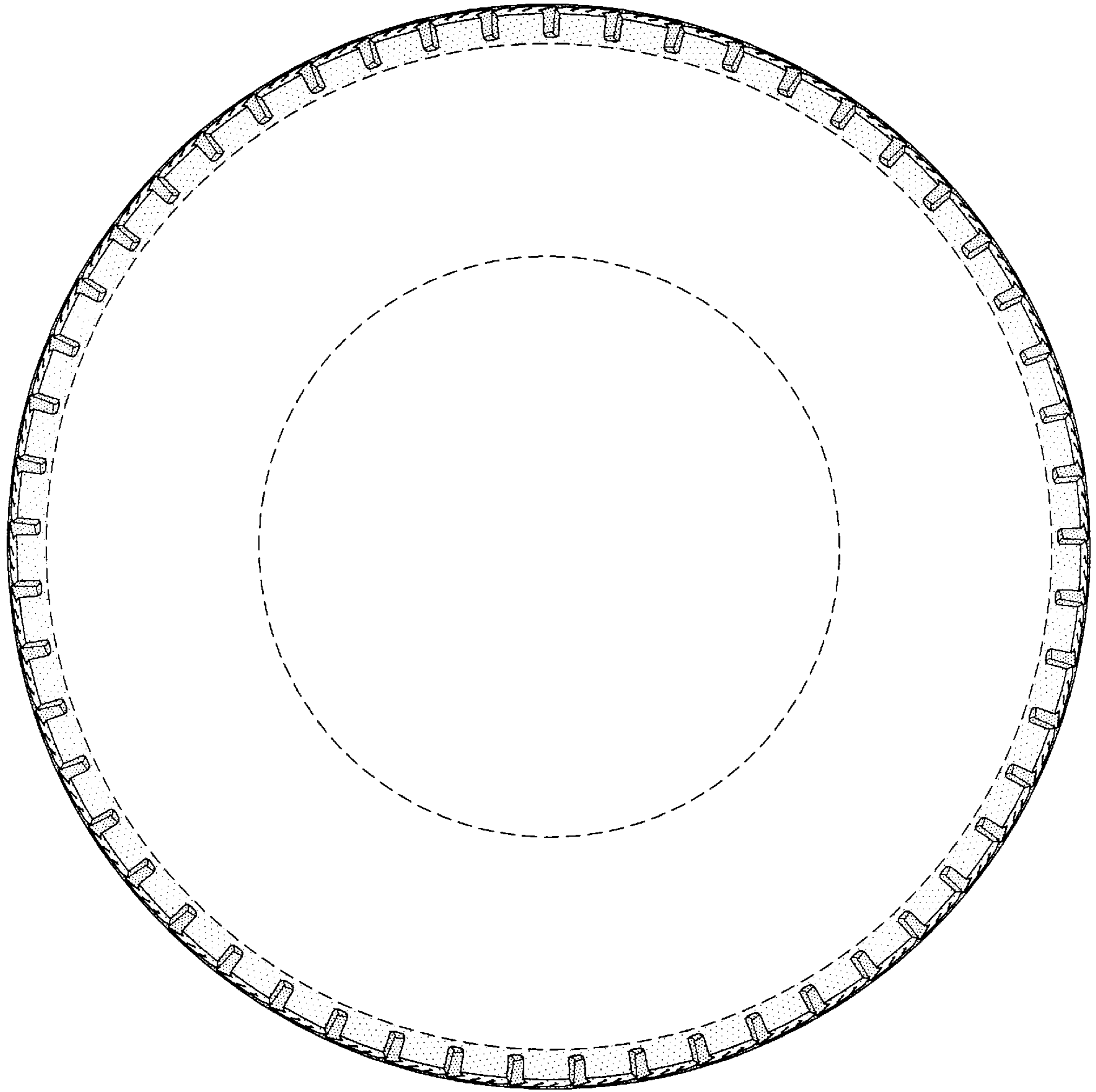


FIG-3

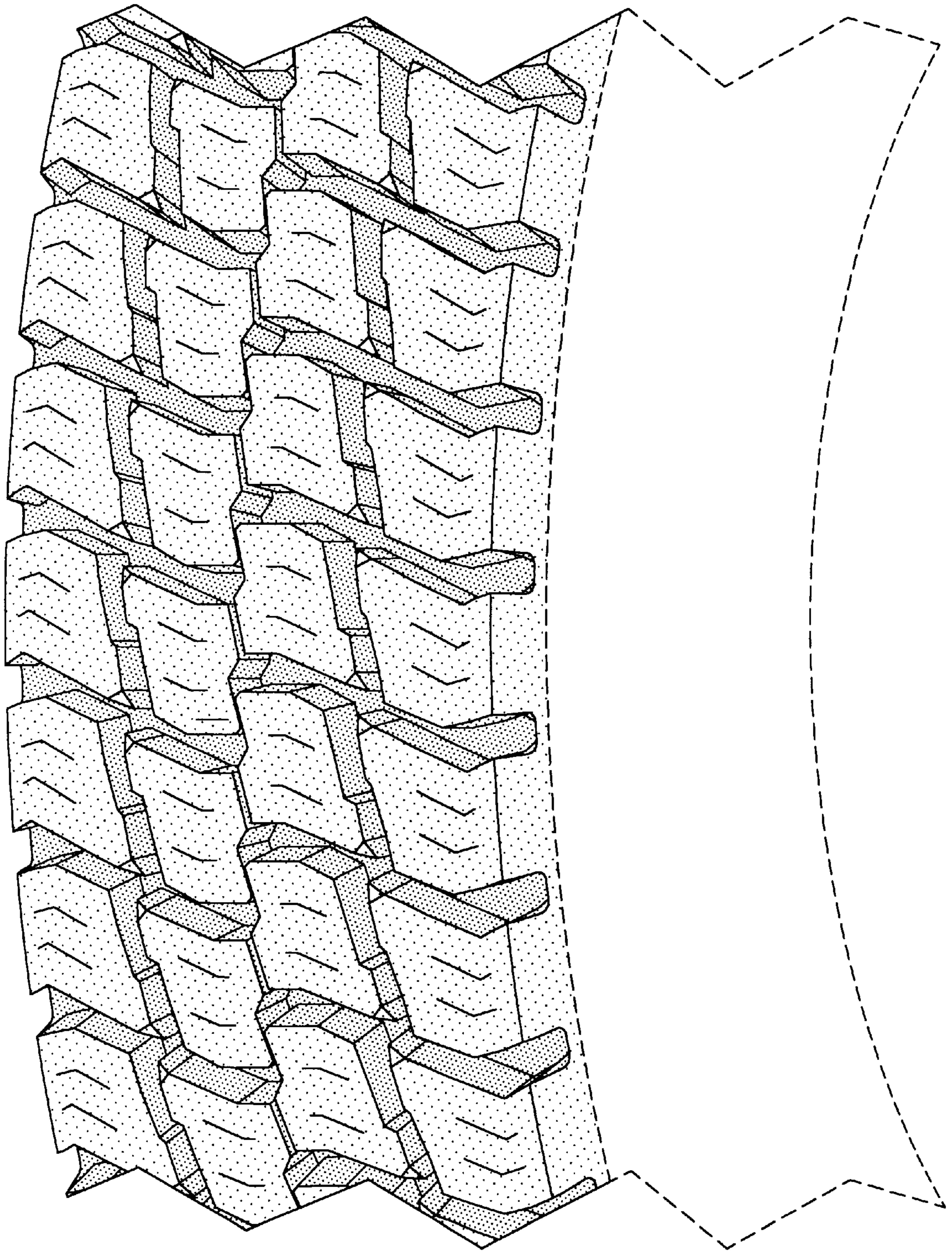


FIG-4