



US00D411149S

United States Patent [19]
Huang

[11] **Patent Number: Des. 411,149**

[45] **Date of Patent: ** Jun. 22, 1999**

[54] **FRAMEWORK FOR WHEELCHAIR**

Attorney, Agent, or Firm—Pro-Techtor International Services

[76] Inventor: **Shih-Yi Huang**, No. 1, Chia Tai Road, Tai Pao Shih, Chia Yi Hsien, Taiwan

[57] **CLAIM**

[**] Term: **14 Years**

The ornamental design for a framework for wheelchair, as shown and described.

[21] Appl. No.: **29/096,815**

DESCRIPTION

[22] Filed: **Nov. 20, 1998**

FIG. 1 is a perspective view of a framework for a wheelchair showing my new design;

[51] **LOC (6) Cl.** **12-12**

FIG. 2 is a front elevational view thereof;

[52] **U.S. Cl.** **D12/133**

FIG. 3 is a rear elevational view thereof;

[58] **Field of Search** D12/128-133;
280/250.1, 304.1, 647, 242.1; 297/DIG. 4

FIG. 4 is a left side elevational view thereof;

FIG. 5 is a right side elevational view thereof;

[56] **References Cited**

U.S. PATENT DOCUMENTS

- D. 395,854 7/1998 Hernandez et al. D12/131
- 5,360,224 11/1994 Geiger et al. 280/250.1
- 5,590,893 1/1997 Robinson et al. 280/250.1

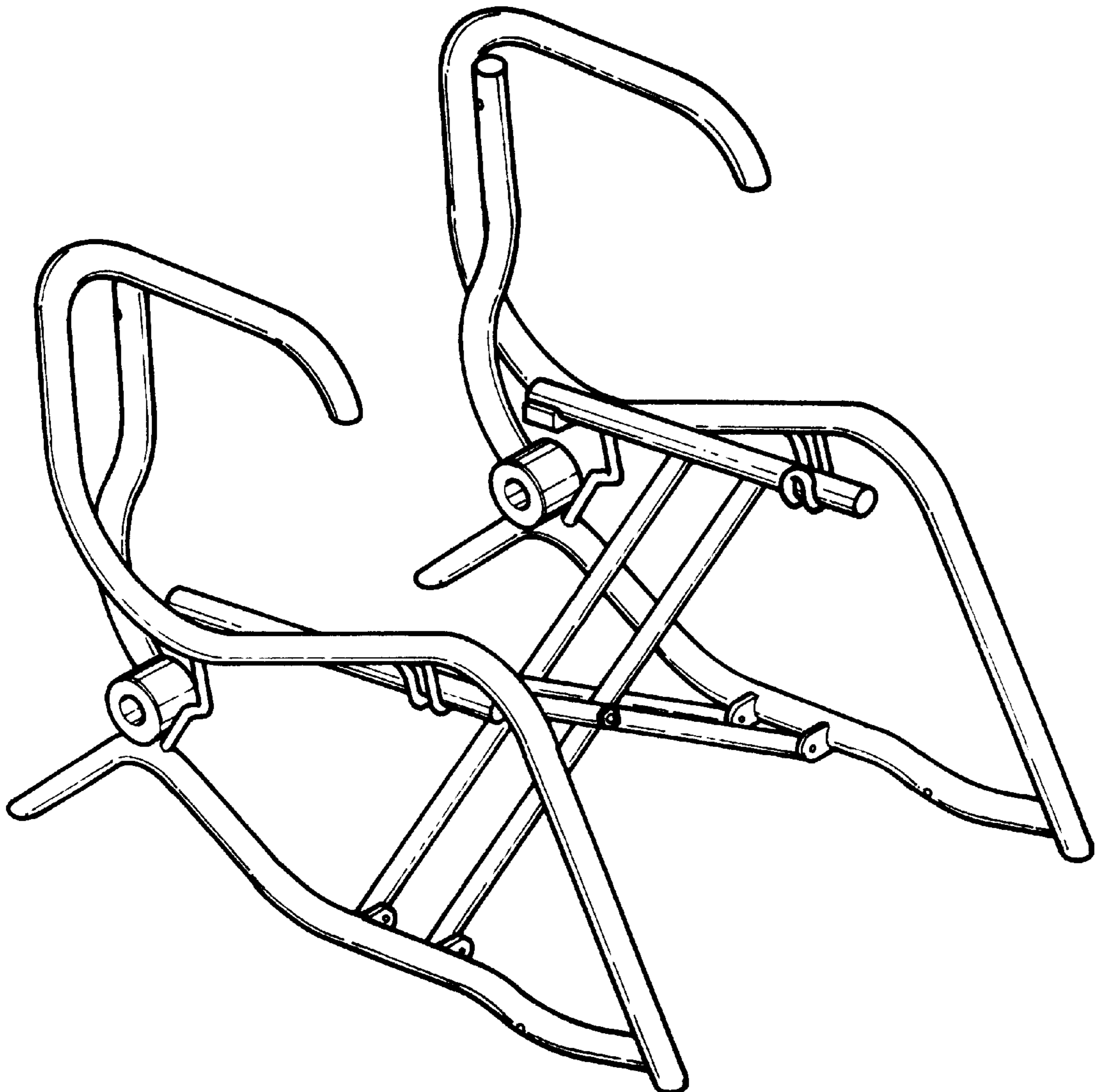
FIG. 6 is a top plan view thereof; and,

FIG. 7 is a bottom plan view thereof; and,

FIG. 8 is a left side elevational view of a framework for a wheelchair embodying my new design, it being understood that the broken lines are only for illustrative purposes and form no part of the claimed design.

Primary Examiner—Kay H. Chin

1 Claim, 5 Drawing Sheets



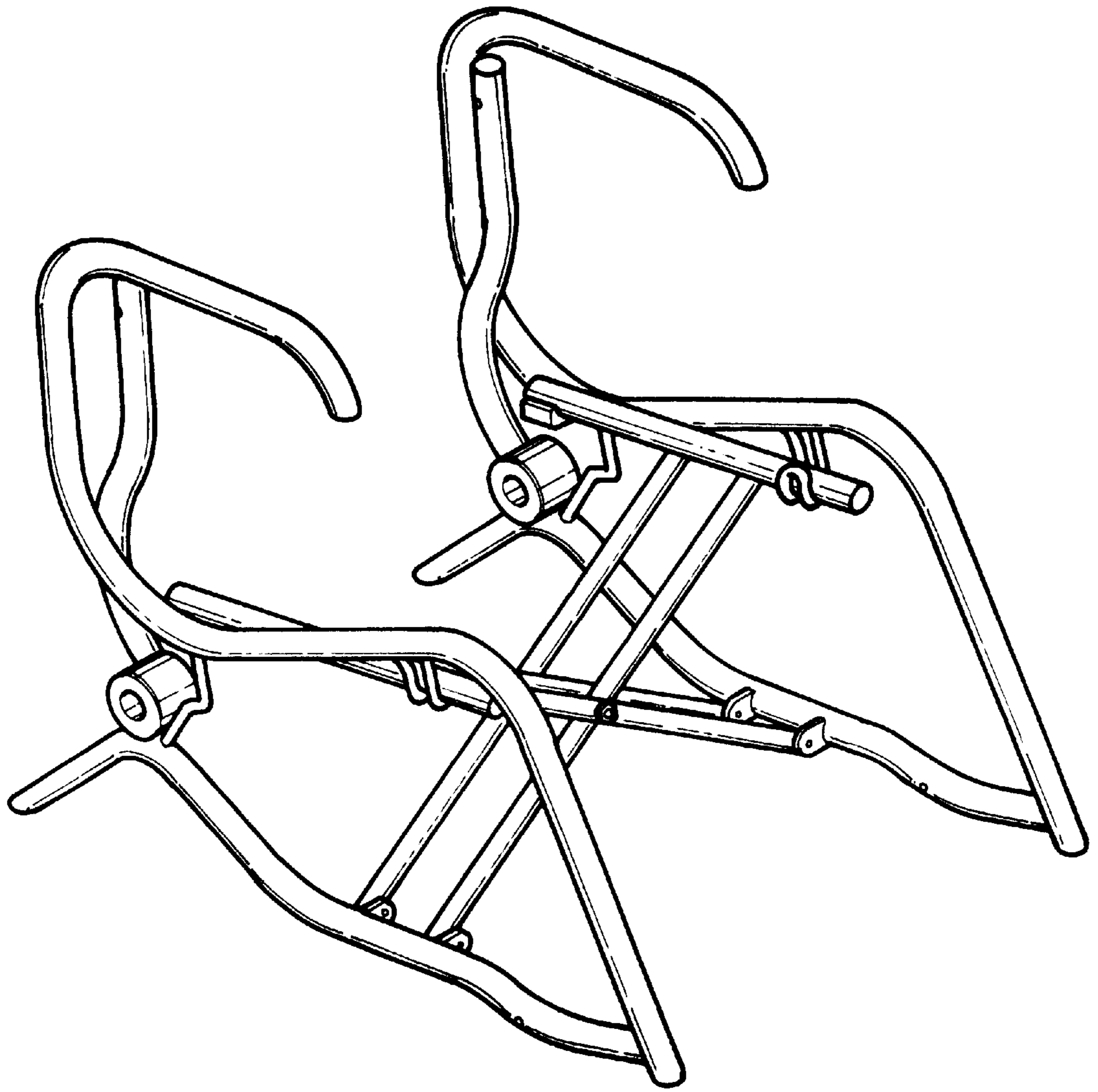


FIG.1

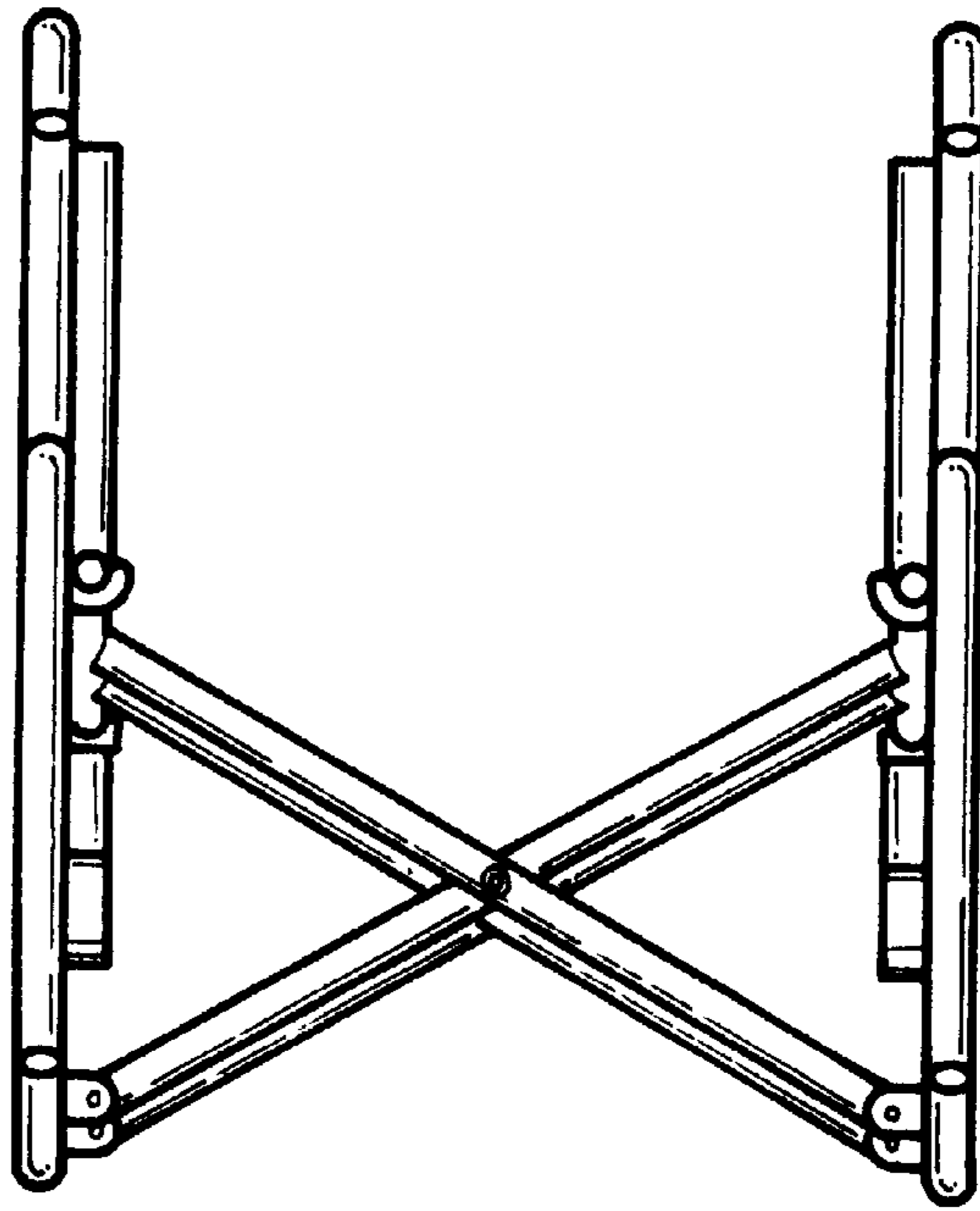


FIG. 2

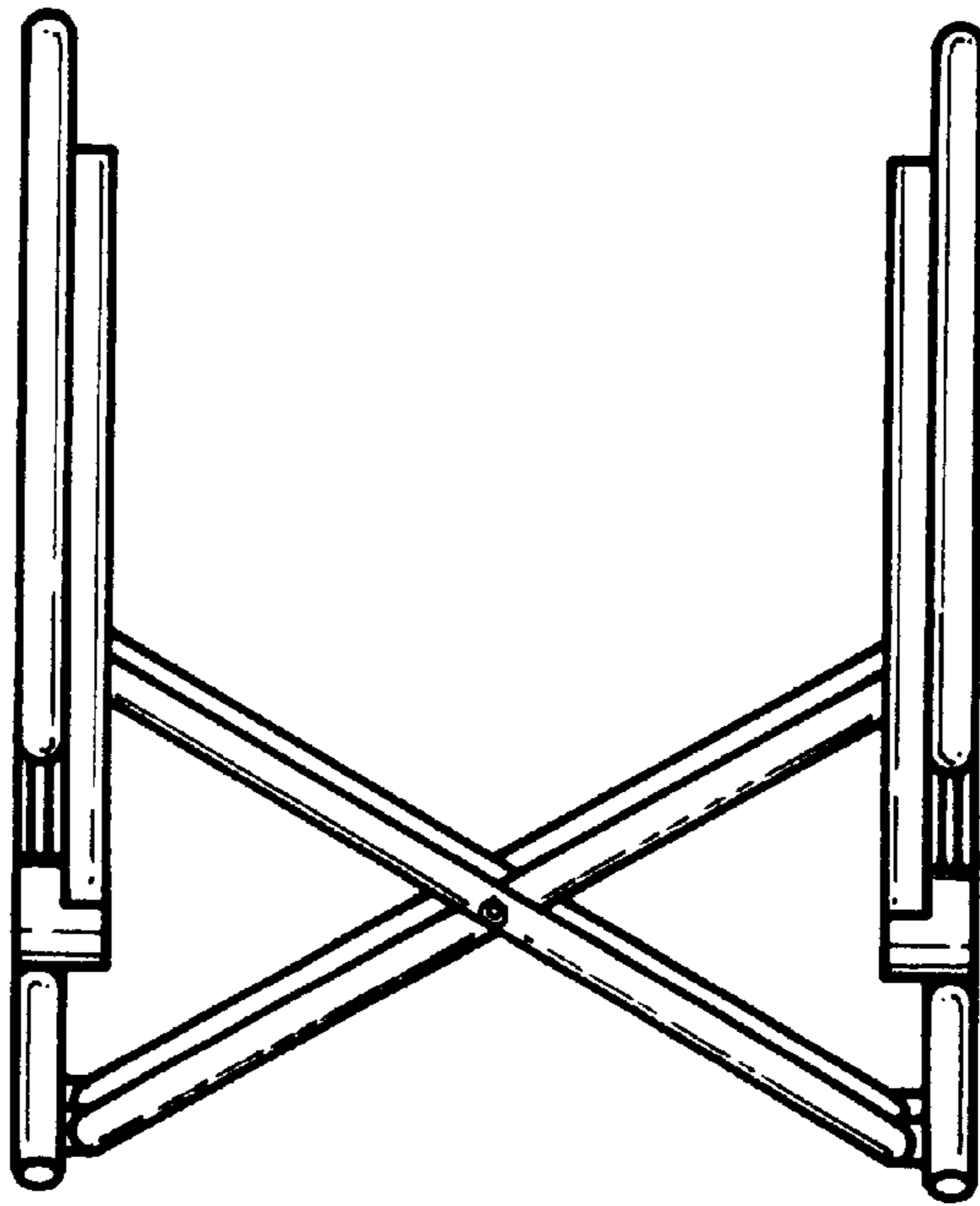


FIG. 3

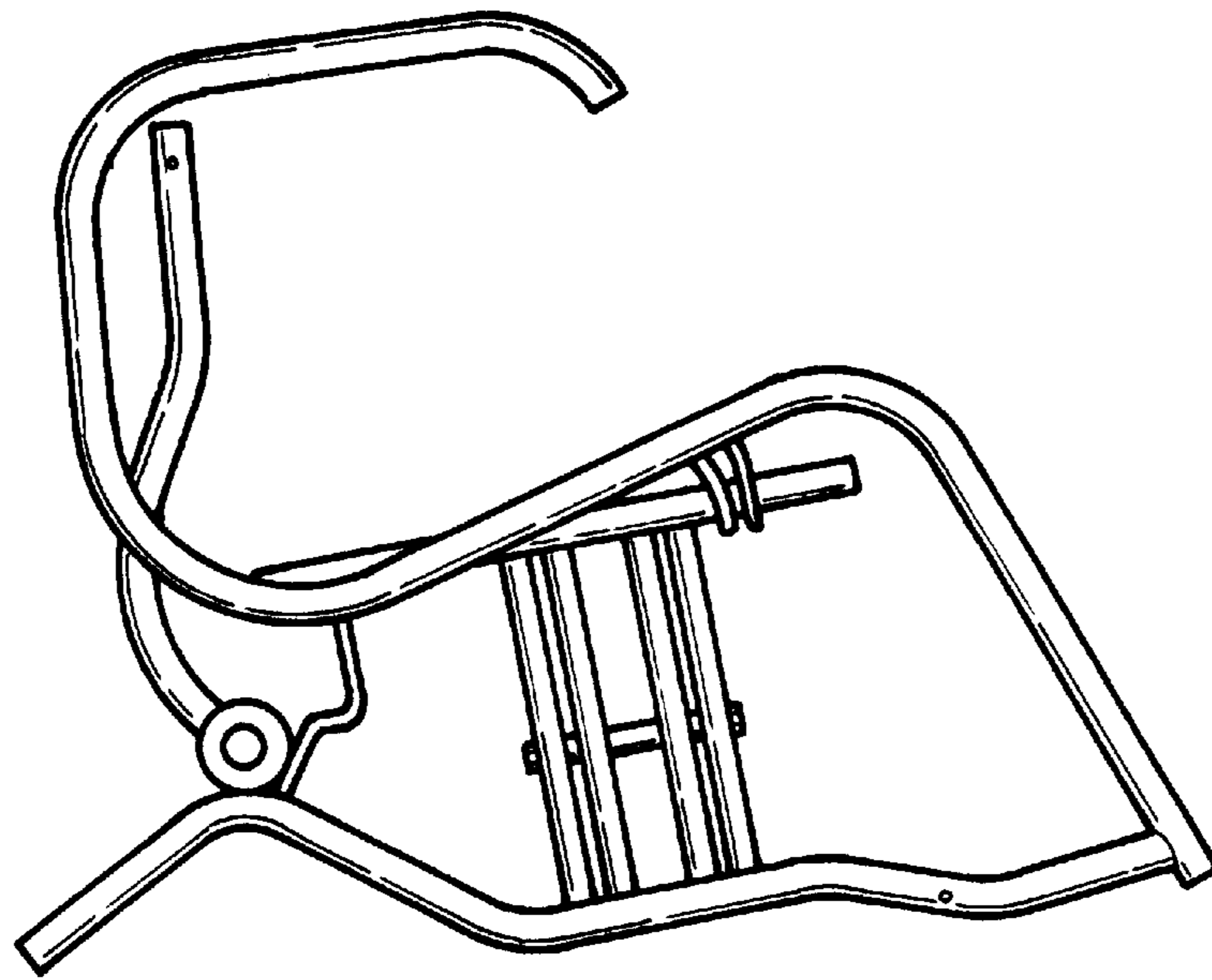


FIG. 4

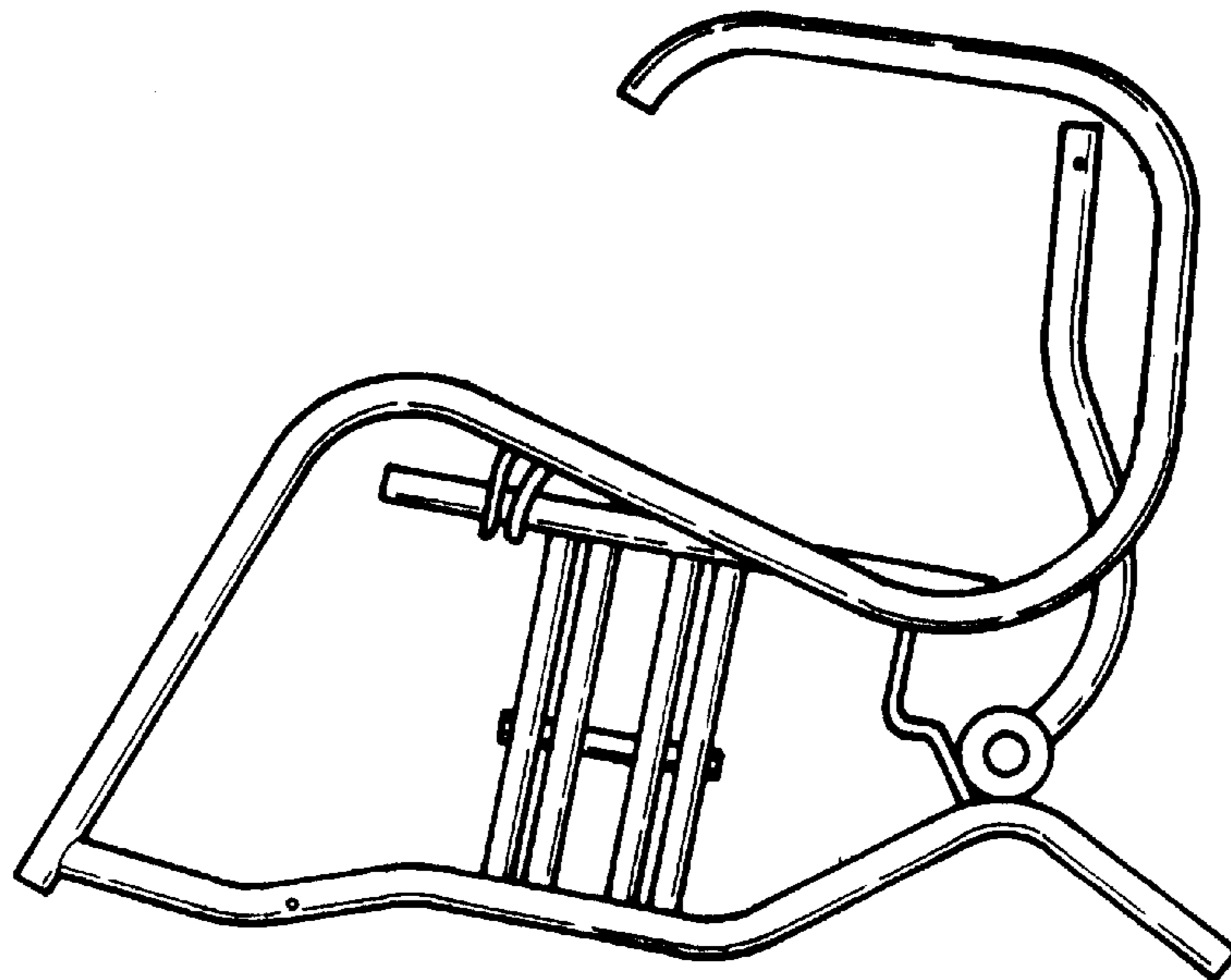


FIG. 5

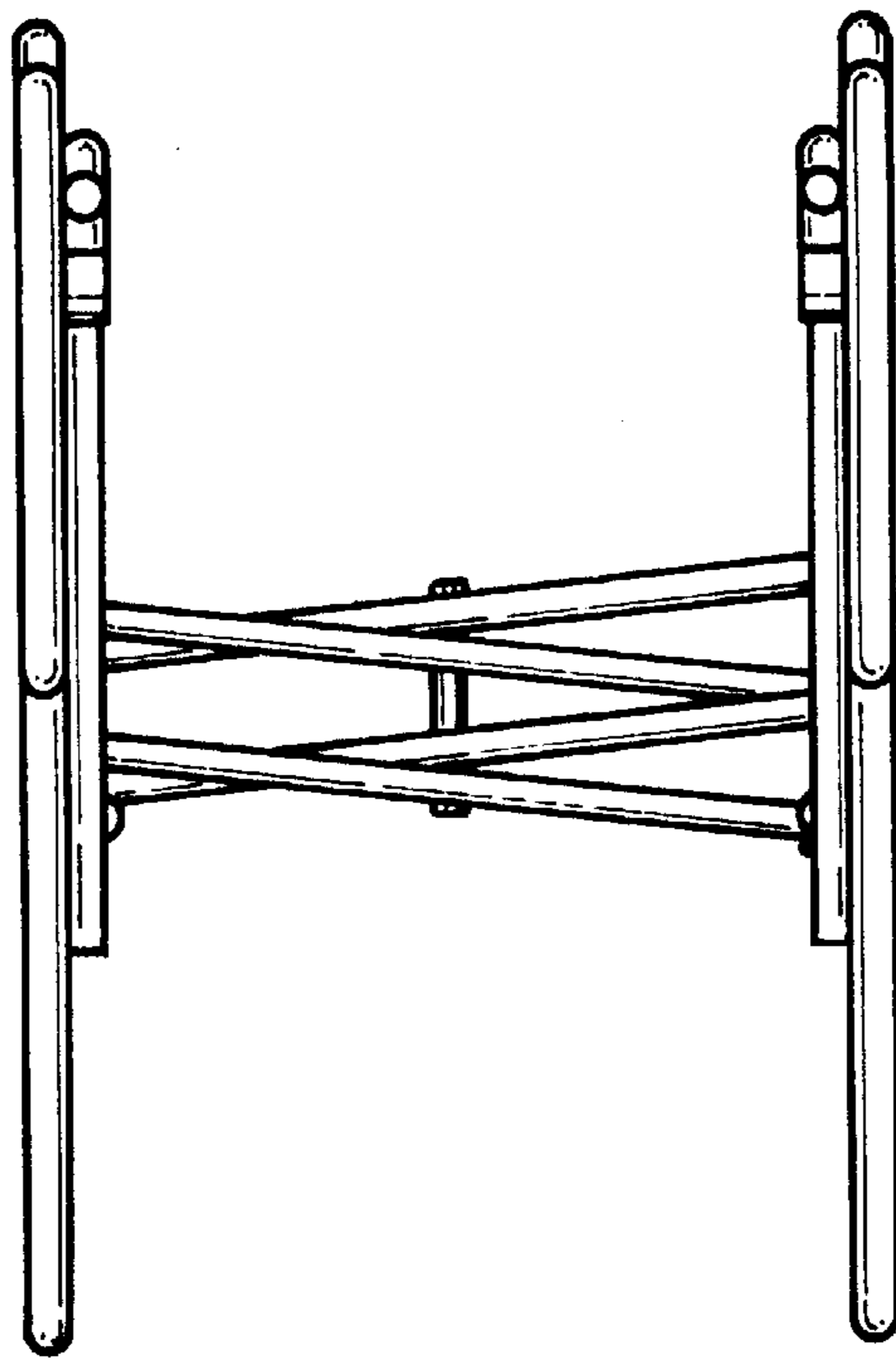


FIG. 6

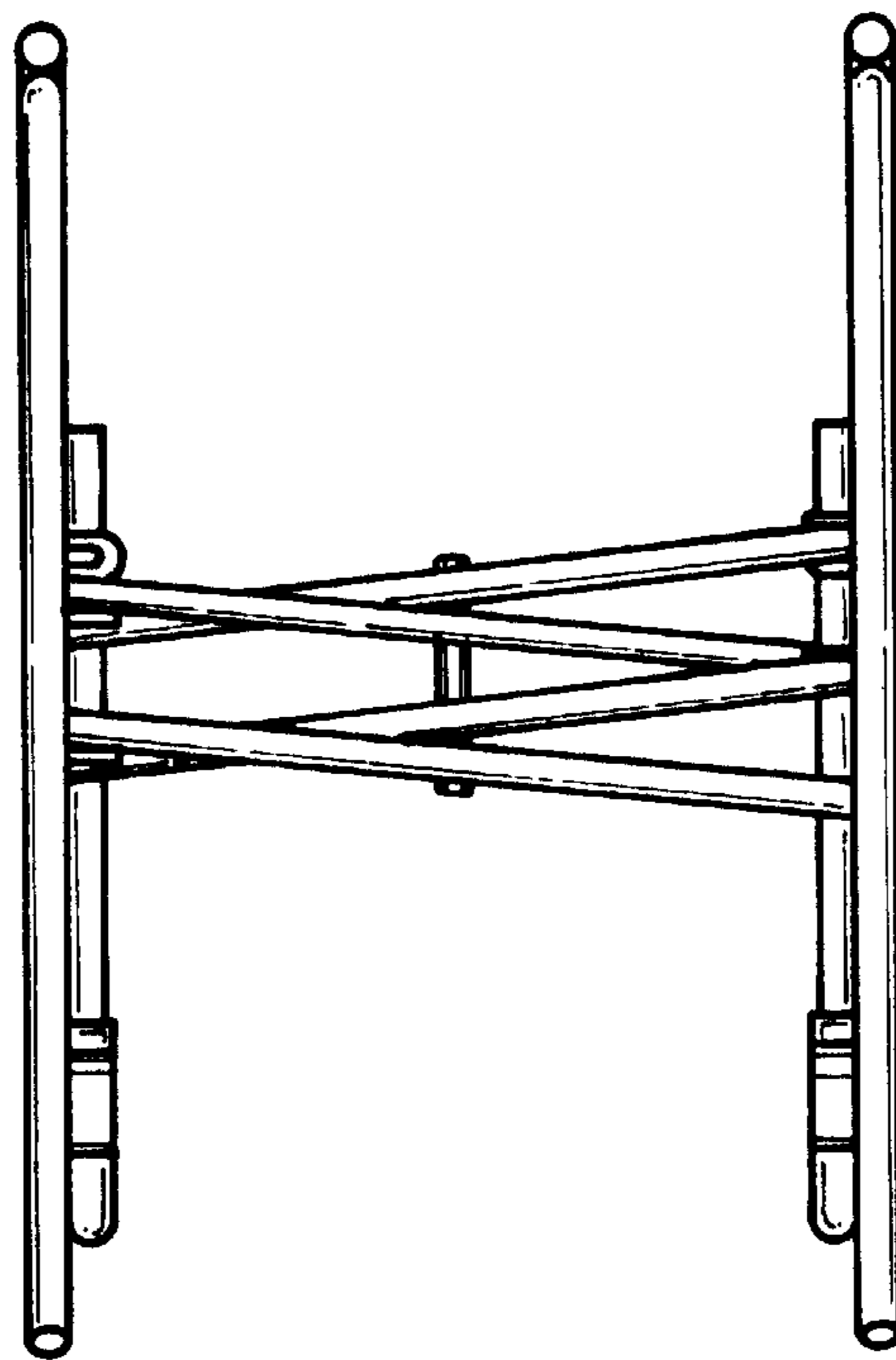


FIG. 7

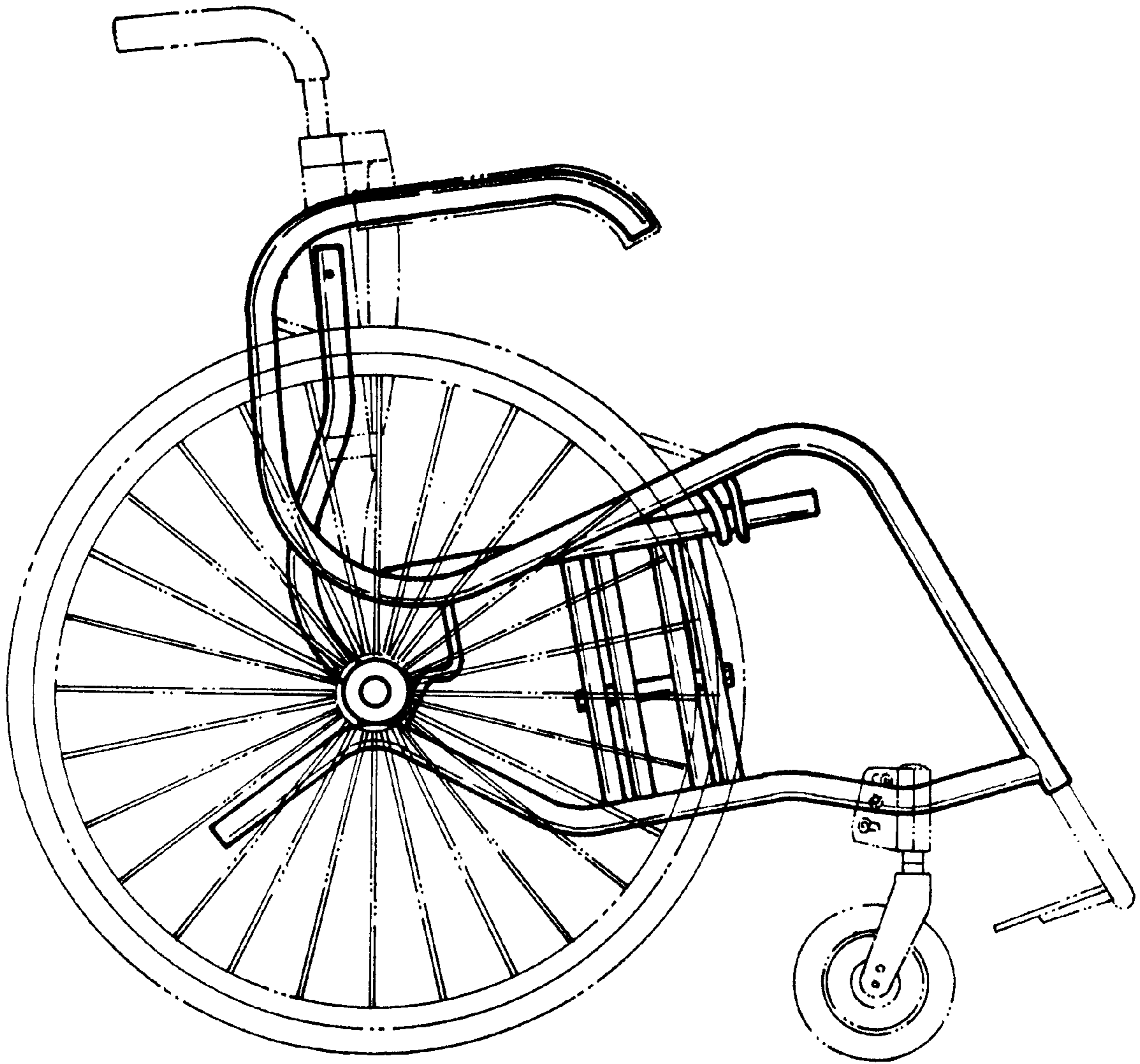


FIG. 8