



US00D411145S

United States Patent [19] Shankin

[11] **Patent Number: Des. 411,145**

[45] **Date of Patent: ** Jun. 22, 1999**

[54] **BICYCLE FRAME**

D. 384,307 9/1997 Fisher D12/111
D. 385,229 10/1997 Chan D12/111

[75] Inventor: **Steven J. Shankin**, Port Jefferson Station, N.Y.

Primary Examiner—Pamela Burgess
Attorney, Agent, or Firm—Burns, Doane, Swecker & Mathis, L.L.P.

[73] Assignee: **Huffy Corporation**, Miamisburg, Ohio

[**] Term: **14 Years**

[57] CLAIM

[21] Appl. No.: **29/085,219**

The ornamental design for the bicycle frame, as shown and described.

[22] Filed: **Mar. 18, 1998**

DESCRIPTION

[51] **LOC (6) Cl.** **12-11**

[52] **U.S. Cl.** **D12/111**

[58] **Field of Search** D12/111, 117;
280/281.1, 288.1, 288.2, 288.3

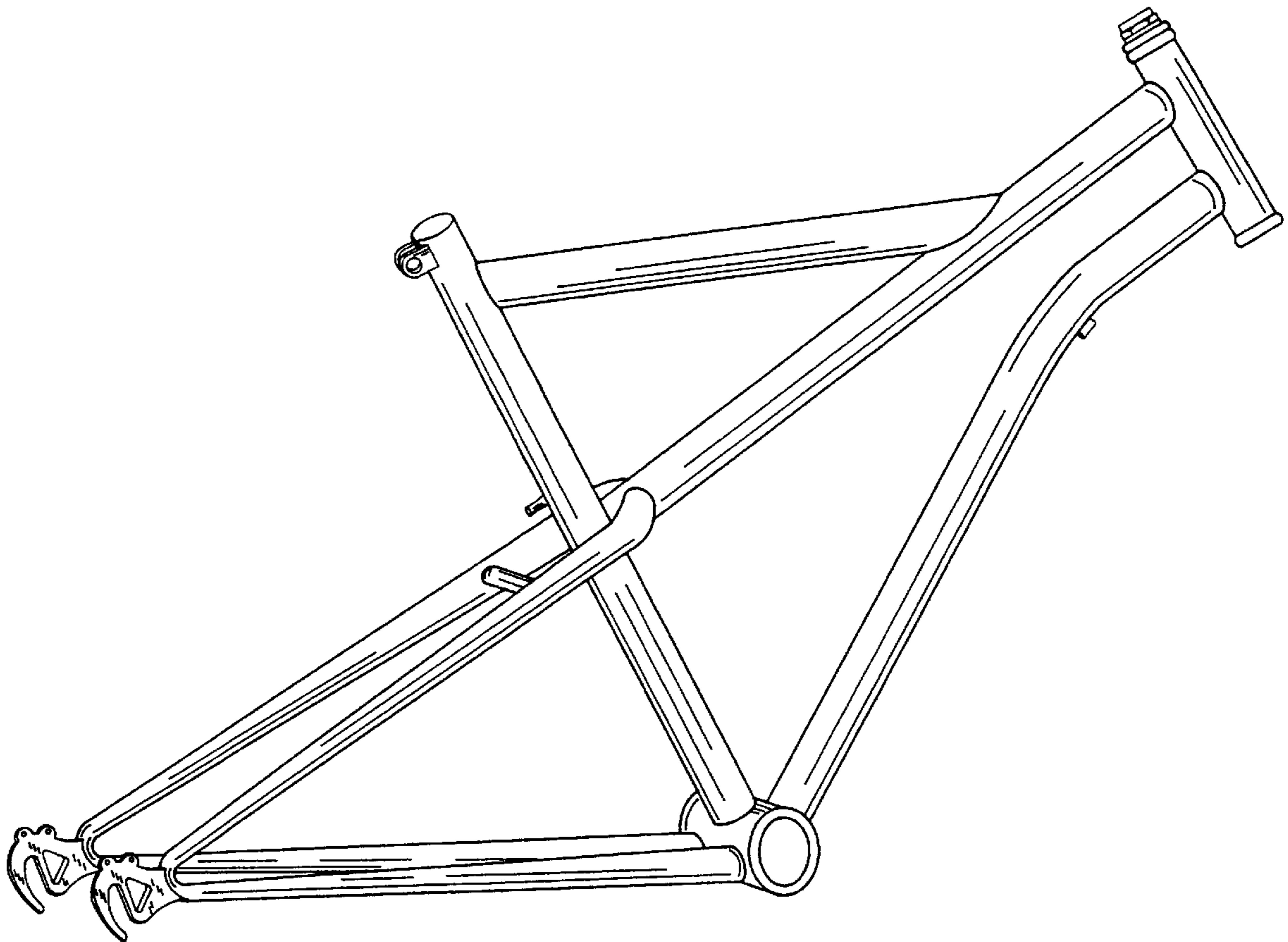
FIG. 1 is a side view of a bicycle frame showing my design;
FIG. 2 is a side view, rear perspective;
FIG. 3 is a side view, front perspective; and,
FIG. 4 is a rear view.

[56] References Cited

U.S. PATENT DOCUMENTS

D. 381,941 8/1997 Chan D12/111

1 Claim, 4 Drawing Sheets



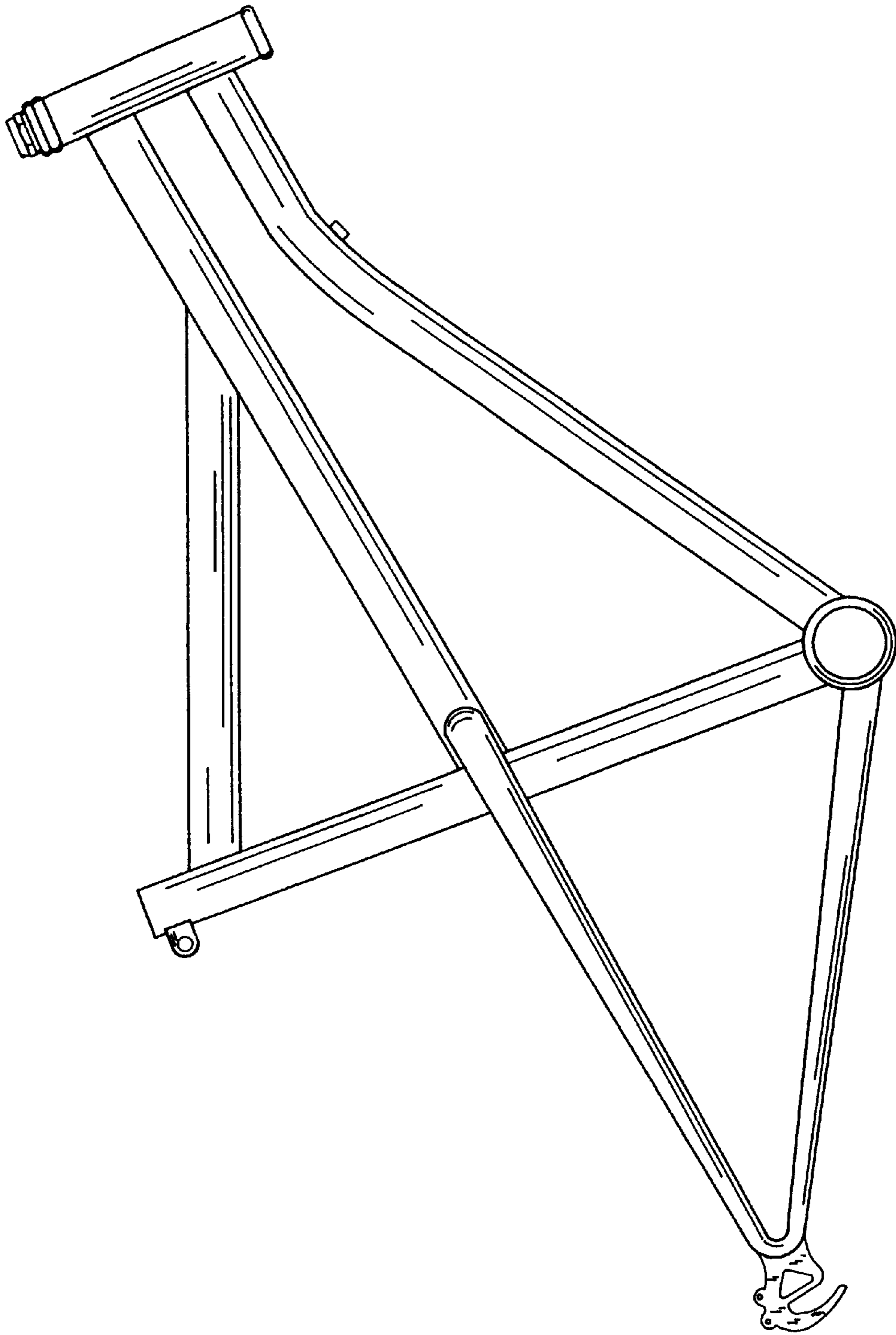


FIG. 1

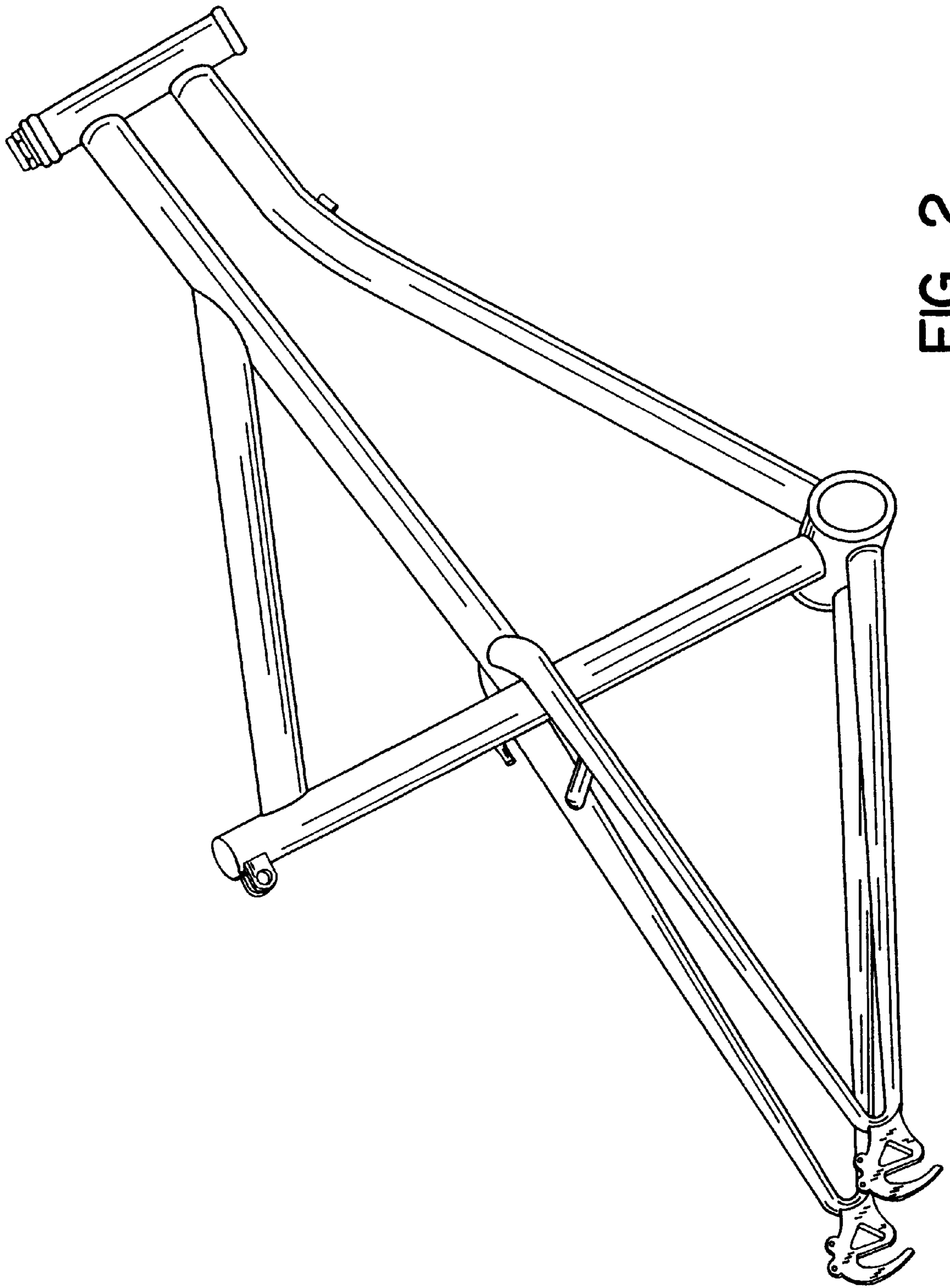


FIG. 2

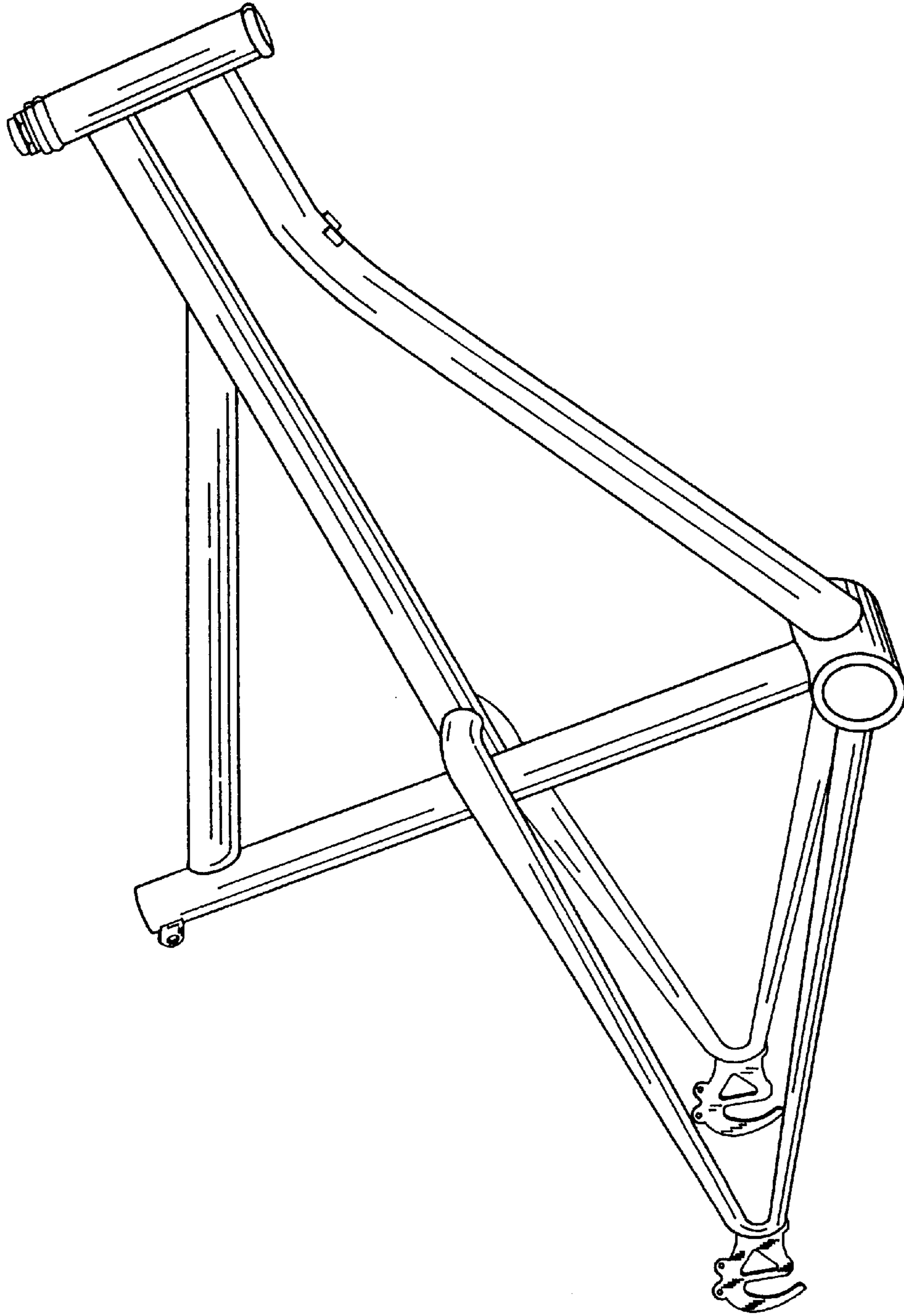


FIG. 3

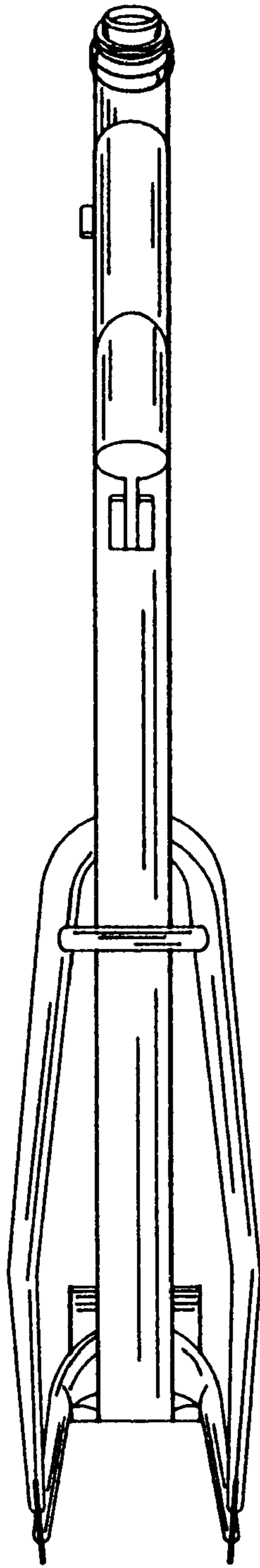


FIG. 4