



US00D411144S

United States Patent [19]

Hamers

[11] **Patent Number: Des. 411,144**

[45] **Date of Patent: ** Jun. 22, 1999**

[54] **TRAILER**

[75] Inventor: **Jan Hamers**, Pretoria, South Africa

[73] Assignee: **Splashburg (Proprietary) Limited**,
South Africa

[**] Term: **14 Years**

[21] Appl. No.: **29/079,377**

[22] Filed: **Nov. 14, 1997**

[51] **LOC (6) Cl.** **12-10**

[52] **U.S. Cl.** **D12/102**

[58] **Field of Search** D12/102, 101,
D12/86, 92; 880/418.1, 491.1, 482; 296/181,
24.1

[56] **References Cited**

U.S. PATENT DOCUMENTS

D. 272,525 2/1984 Paulina D12/102
D. 313,955 1/1991 van der Merve et al. D12/102

D. 326,629 6/1992 Holler et al. D12/102
D. 379,604 6/1997 Deshony et al. D12/102
D. 389,439 1/1998 Friedrich D12/102
4,502,725 3/1985 Wiart 296/181
4,579,382 4/1986 Lake 896/181

Primary Examiner—Melody N. Brown
Attorney, Agent, or Firm—Knobbe, Martens, Olson & Bear,
LLP

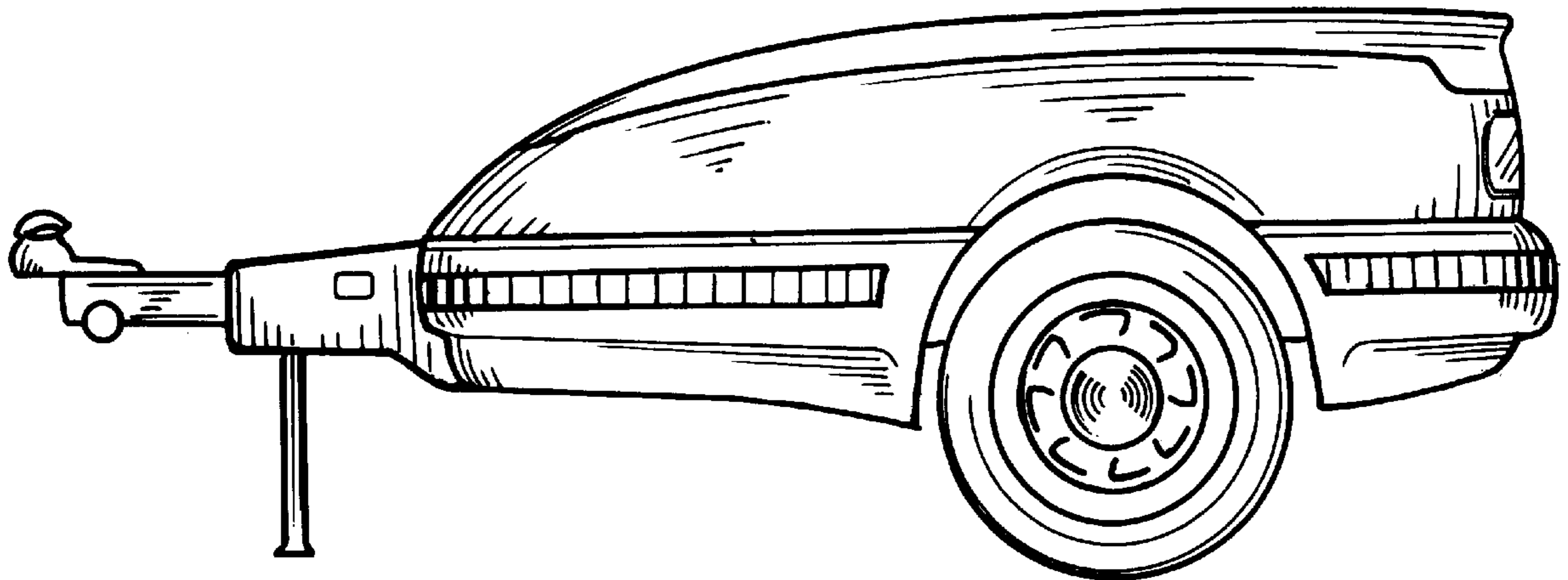
[57] **CLAIM**

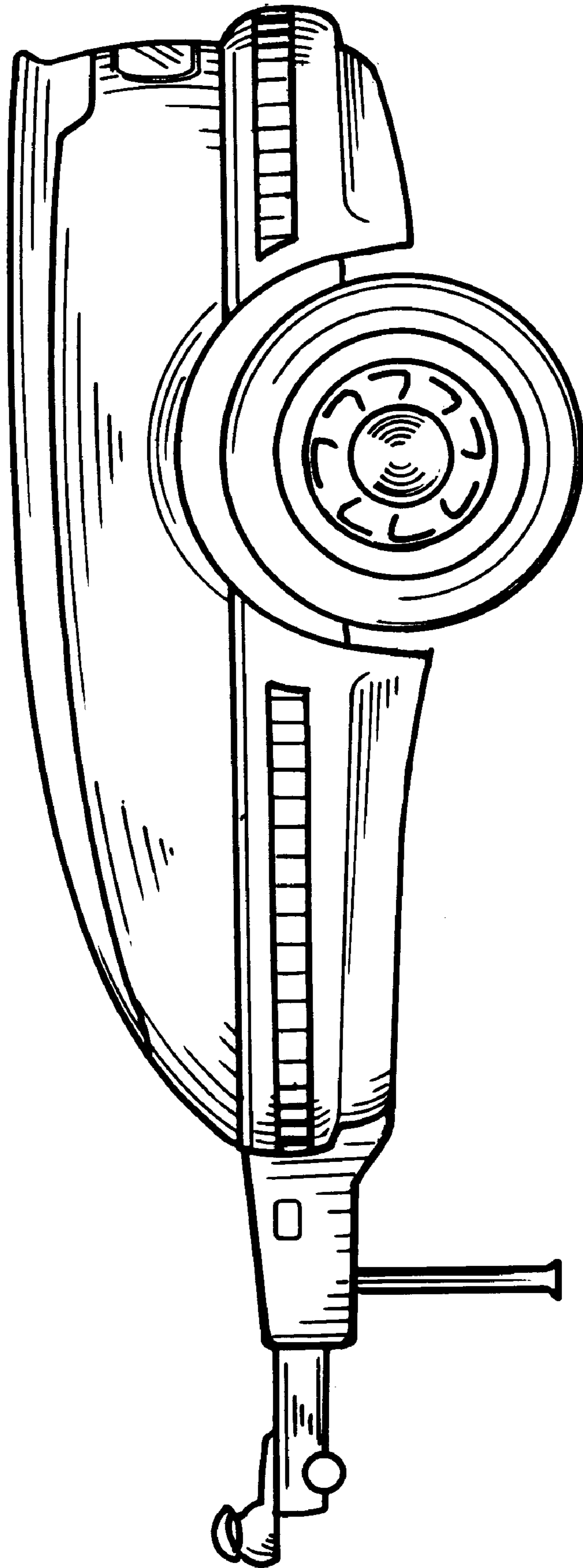
The ornamental design for “a trailer”, as shown and described.

DESCRIPTION

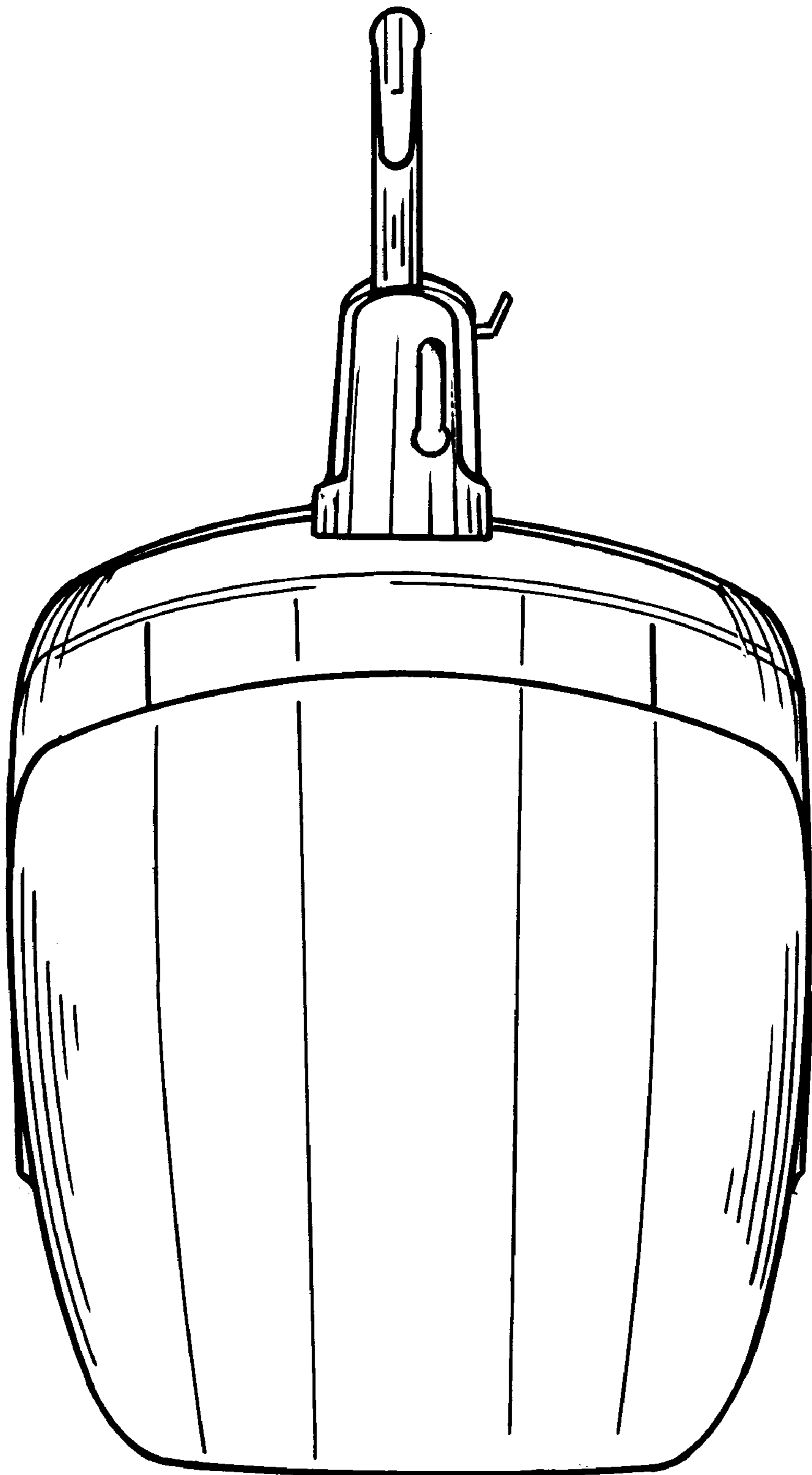
FIG. 1 is a side view of one form of the trailer;
FIG. 2 is an isometric top view thereof from the front;
FIG. 3 is a bottom view thereof;
FIG. 4 is a front view thereof; and,
FIG. 5 is a rear view thereof.

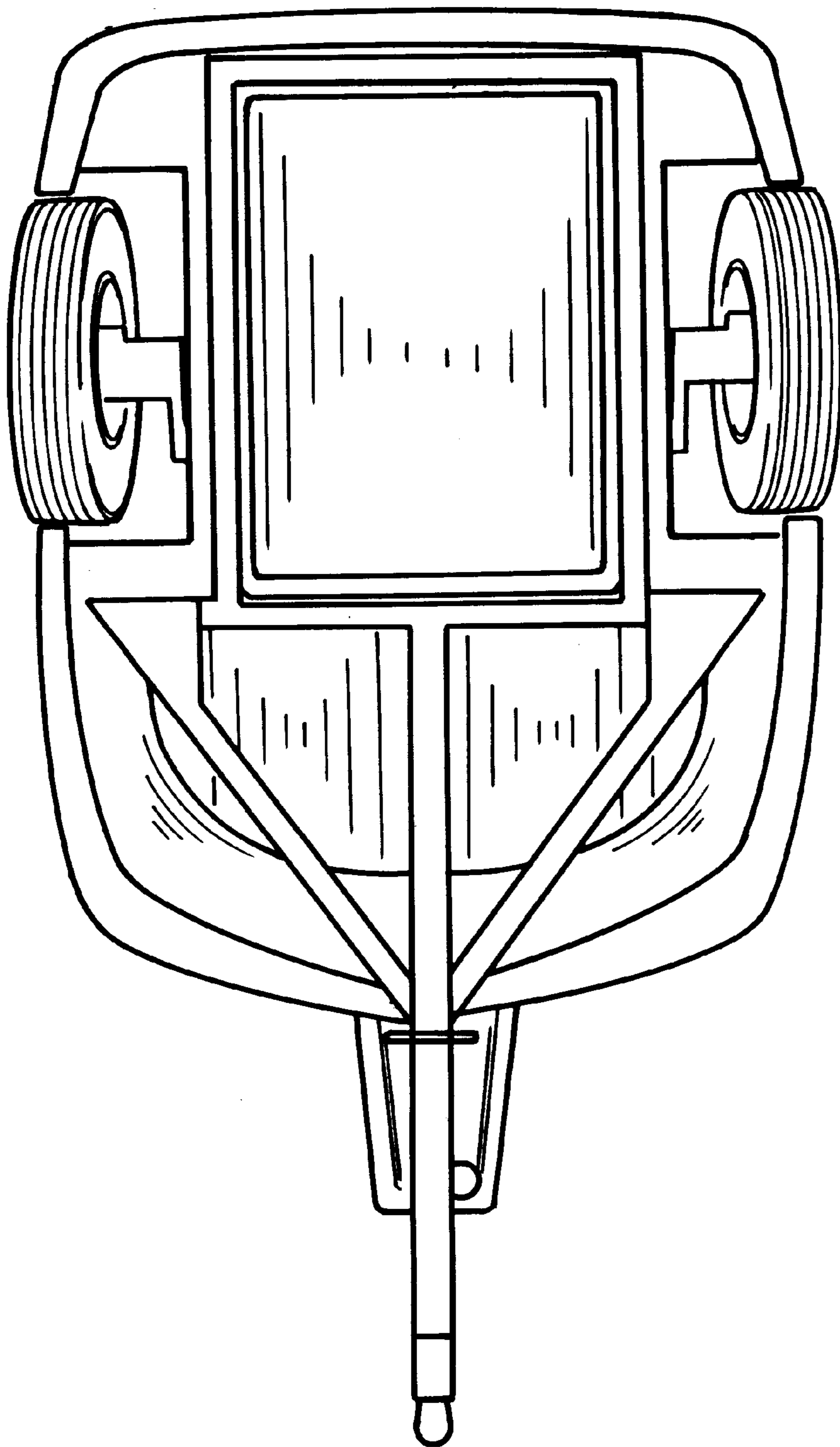
1 Claim, 4 Drawing Sheets





1





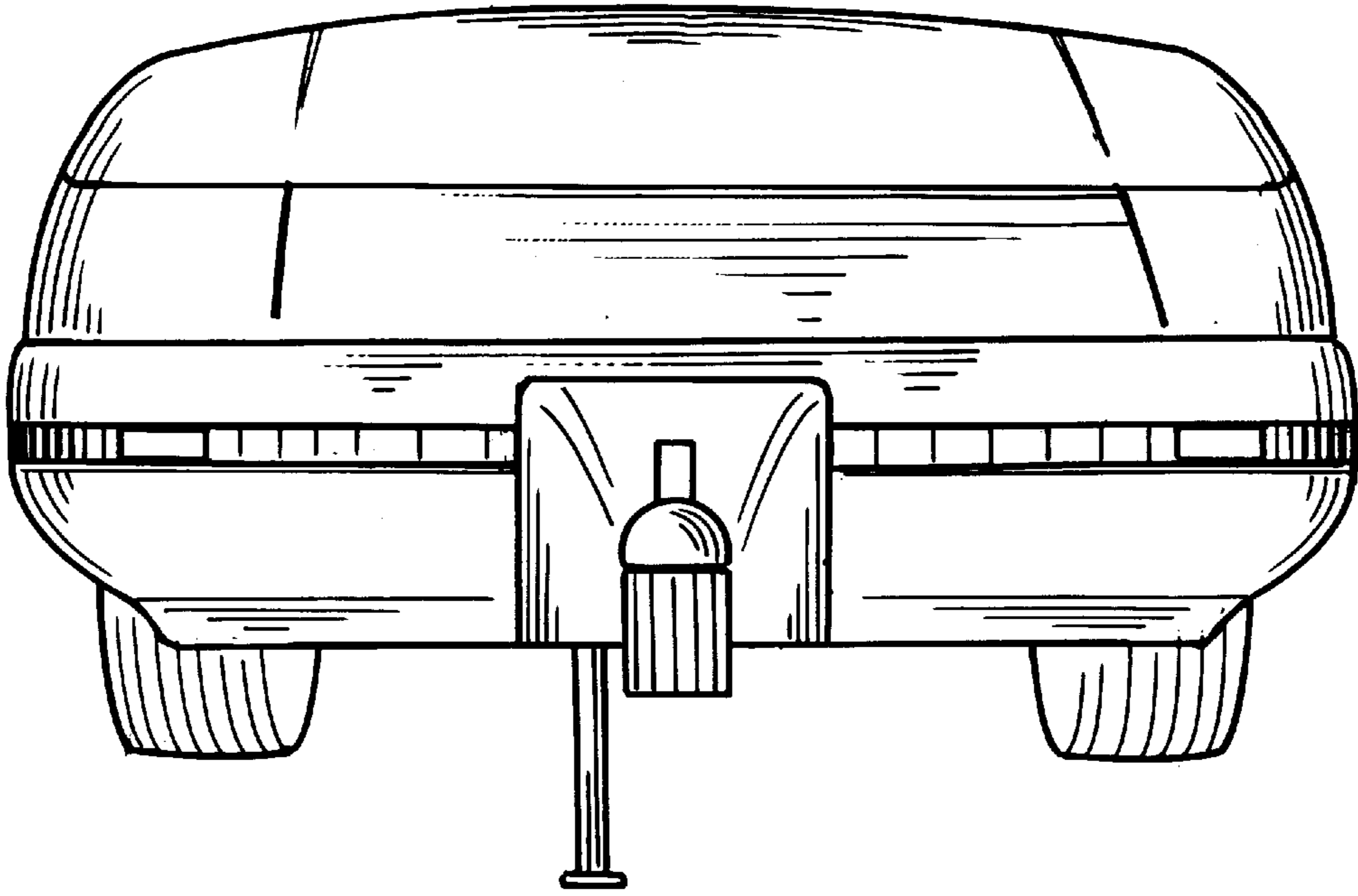


FIG 4

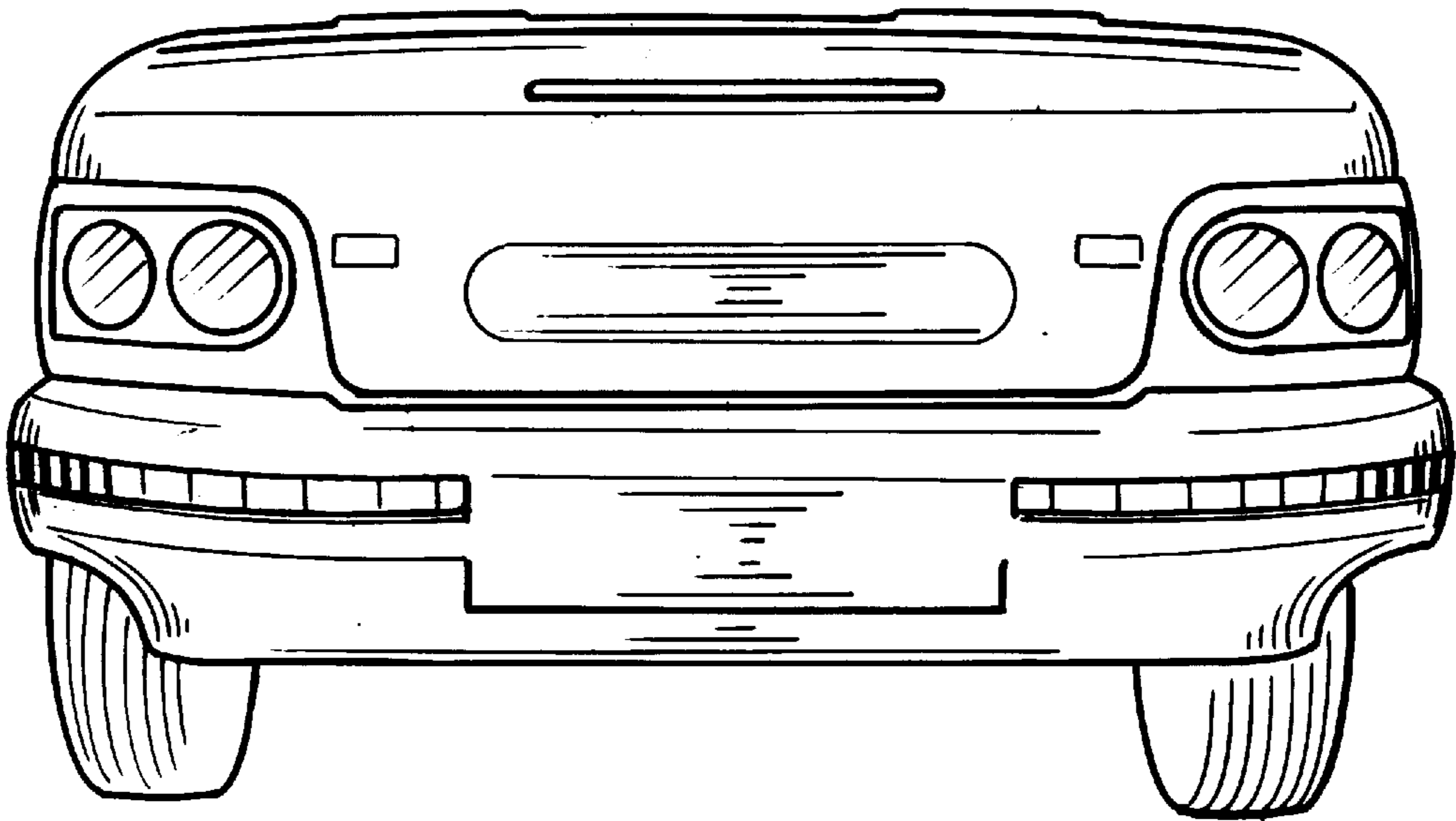


FIG 5