



US00D411142S

United States Patent [19]

[11] **Patent Number: Des. 411,142**

Sacco et al.

[45] **Date of Patent: ** Jun. 22, 1999**

[54] **SURFACE CONFIGURATION OF A CAB FOR VEHICLE**

D. 367,443 2/1996 Sacco et al. D12/96
4,143,732 3/1979 Schmude et al. 180/68.1

[75] Inventors: **Bruno Sacco**, Sindelfingen; **Peter Pfeiffer**, Boeblingen; **Gerhard Honer**, Weil der Stadt, all of Germany

Primary Examiner—Melody N. Brown
Attorney, Agent, or Firm—Evenson McKeown Edwards & Lenahan, PLLC

[73] Assignee: **Daimler-Benz Aktiengesellschaft**, Stuttgart, Germany

[57] **CLAIM**

[**] Term: **14 Years**

The ornamental design for a surface configuration of a cab for vehicle, as shown and described.

[21] Appl. No.: **29/095,252**

[22] Filed: **Oct. 20, 1998**

[30] **Foreign Application Priority Data**

Apr. 20, 1998 [DE] Germany M 98 03 905

[51] **LOC (6) Cl.** **12-08**

[52] **U.S. Cl.** **D12/96**

[58] **Field of Search** D12/96-97; 296/190;
180/89.12, 89.16

DESCRIPTION

FIG. 1 is a front view of a surface configuration of a cab for vehicle according to our novel design;
FIG. 2 is a left side view of a surface configuration of a cab for vehicle according to our novel design;
FIG. 3 is a right side view of a surface configuration of a cab for vehicle according to our novel design;
FIG. 4 is a top view of a surface configuration of a cab for vehicle according to our novel design;
FIG. 5 is a rear view of a surface configuration of a cab for vehicle according to our novel design; and,
FIG. 6 is a perspective view from the front and left side of a surface configuration of a cab for vehicle according to our novel design.

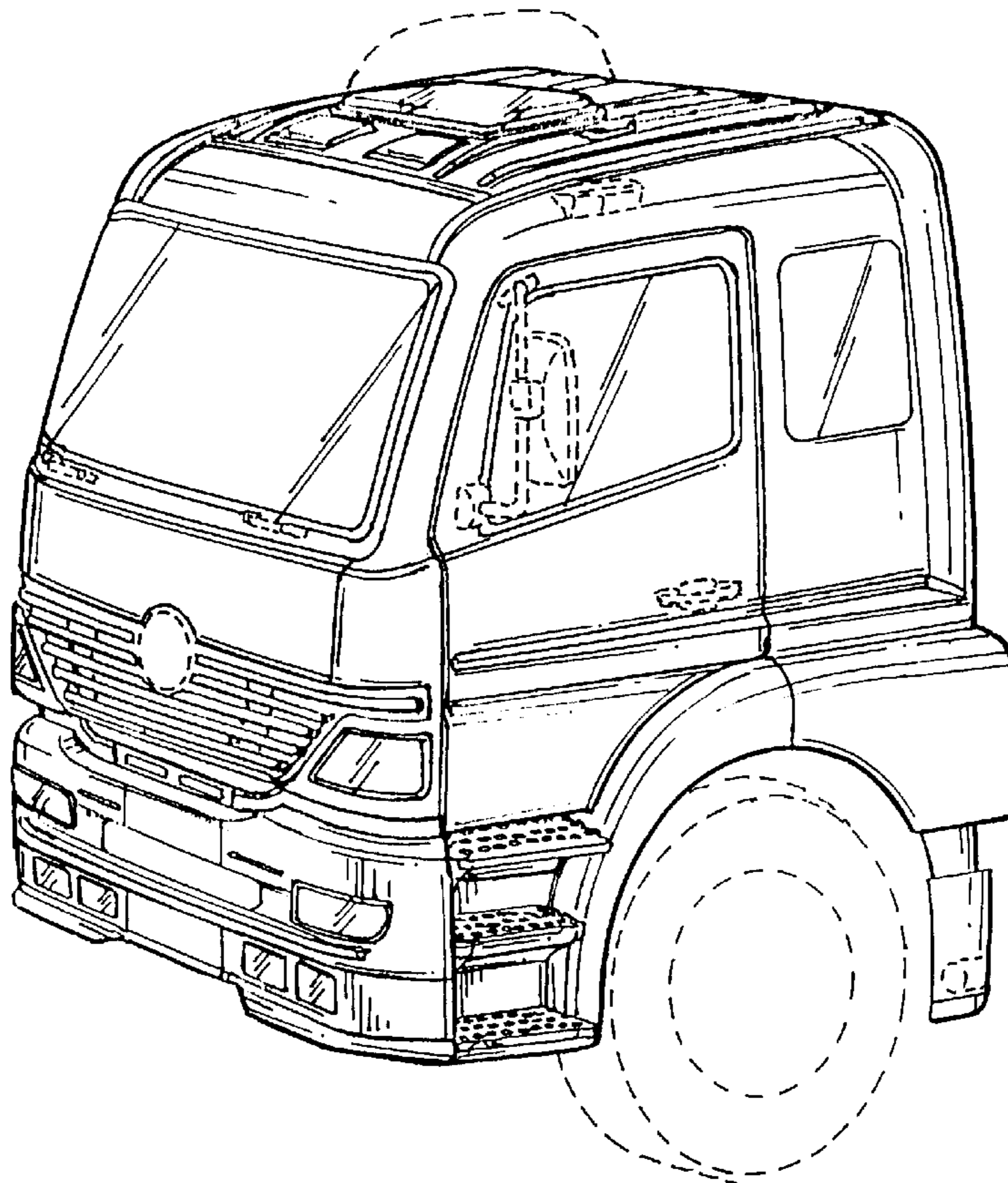
The dash line included depicts environment and is not part of the claimed design.

[56] **References Cited**

U.S. PATENT DOCUMENTS

- D. 286,031 10/1986 Breitschwerdt D12/96
- D. 302,257 7/1989 Breitschwerdt D12/96
- D. 344,472 2/1994 Savio D12/96

1 Claim, 3 Drawing Sheets



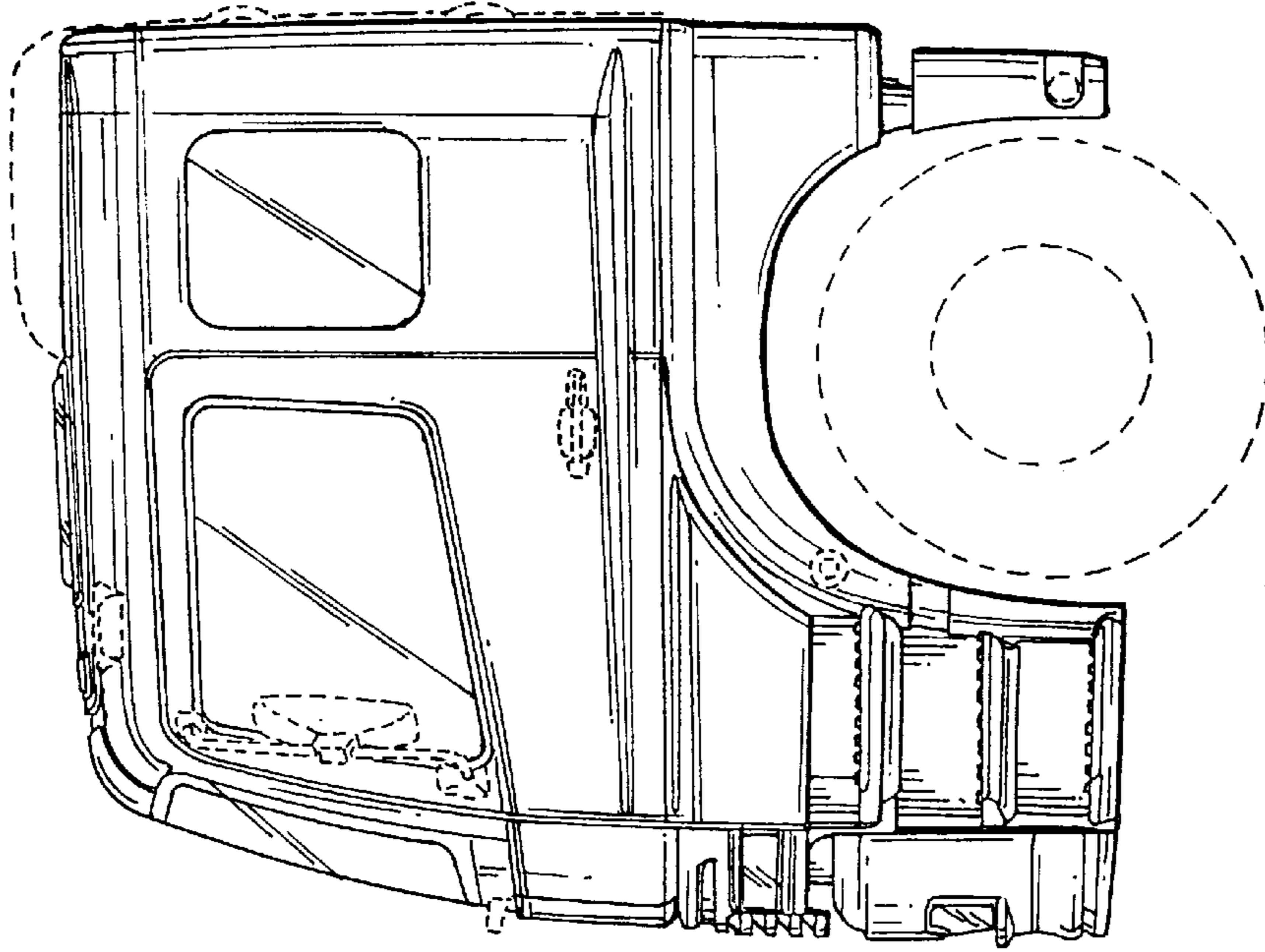


FIG. 2

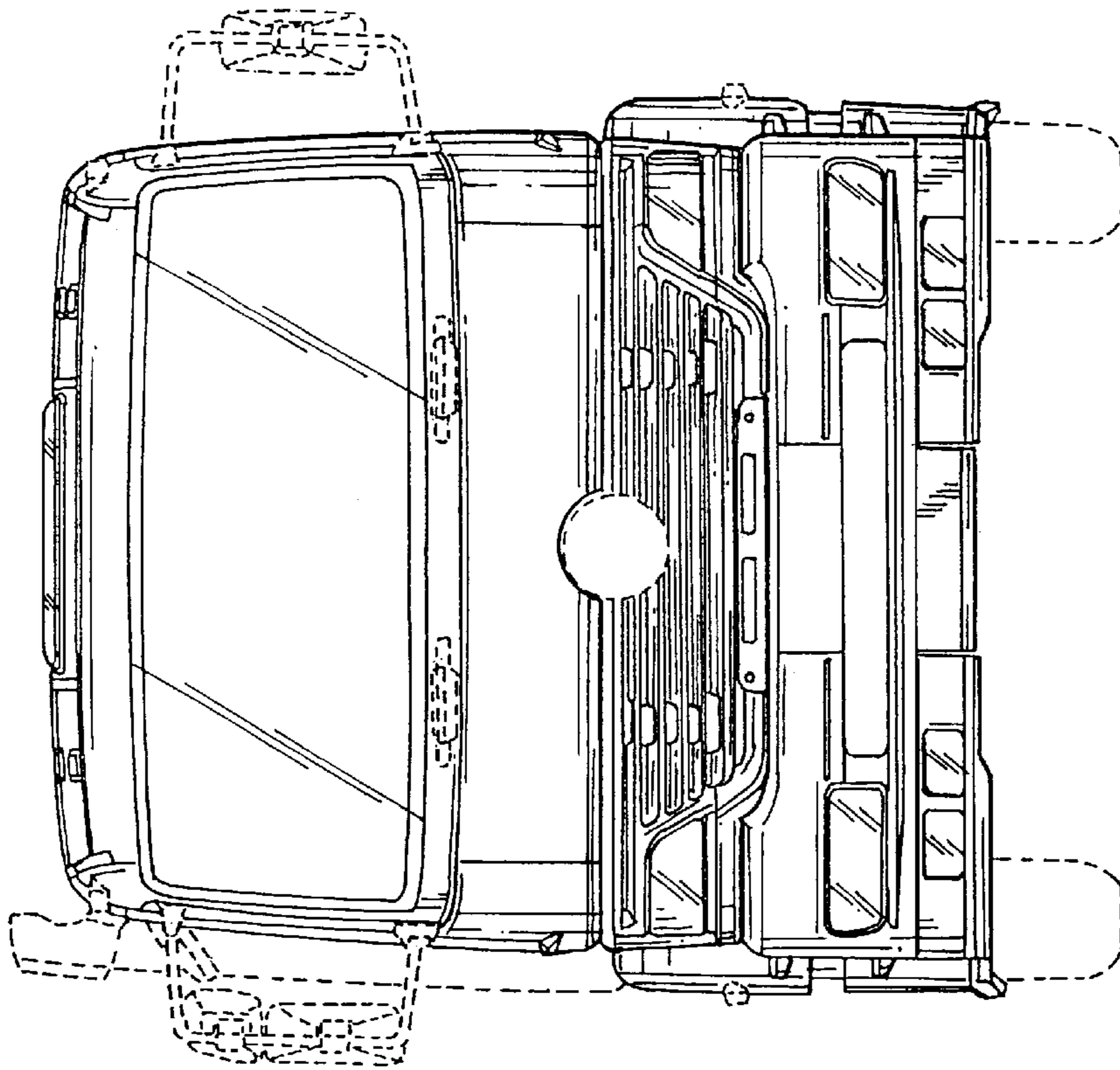


FIG. 1

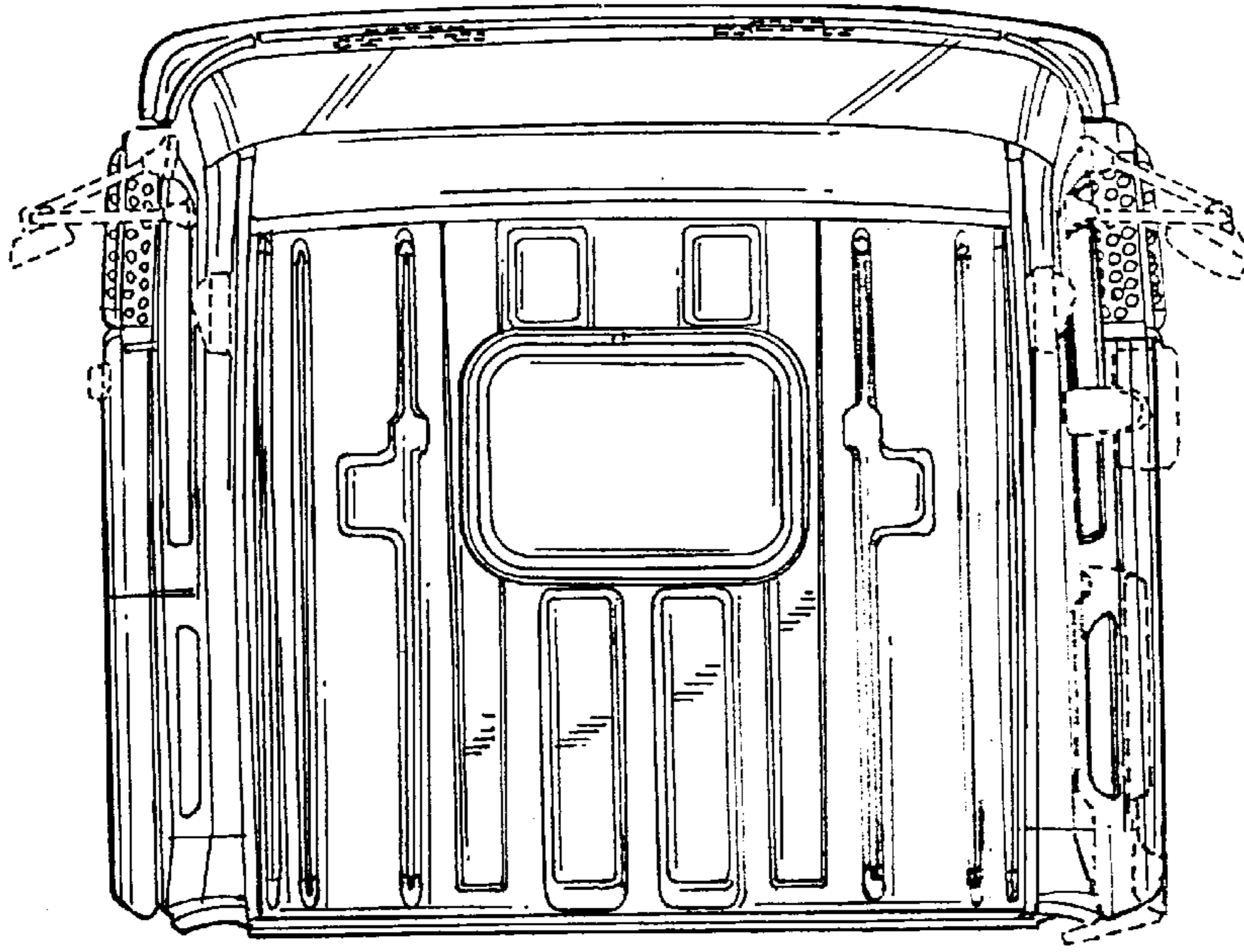


FIG. 4

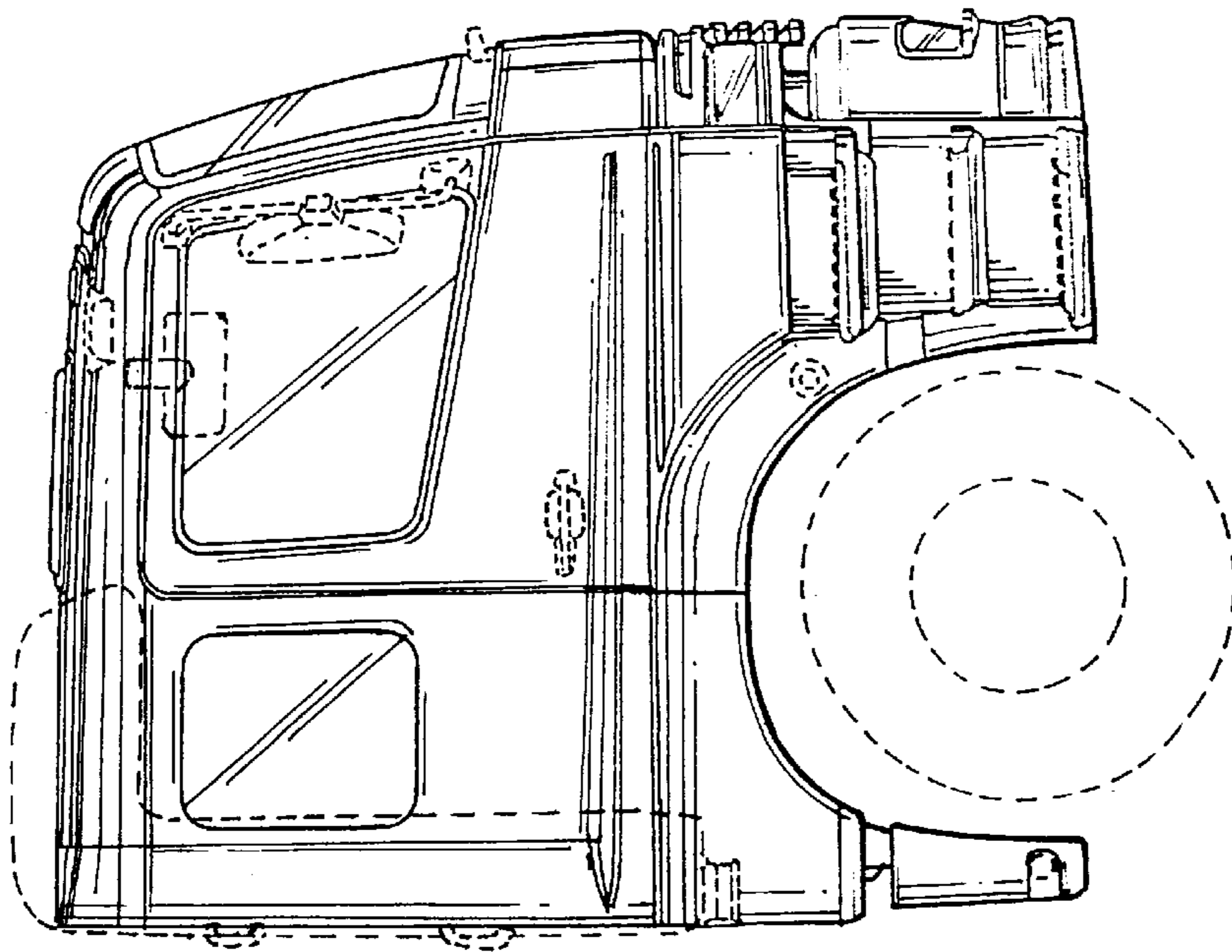


FIG. 3

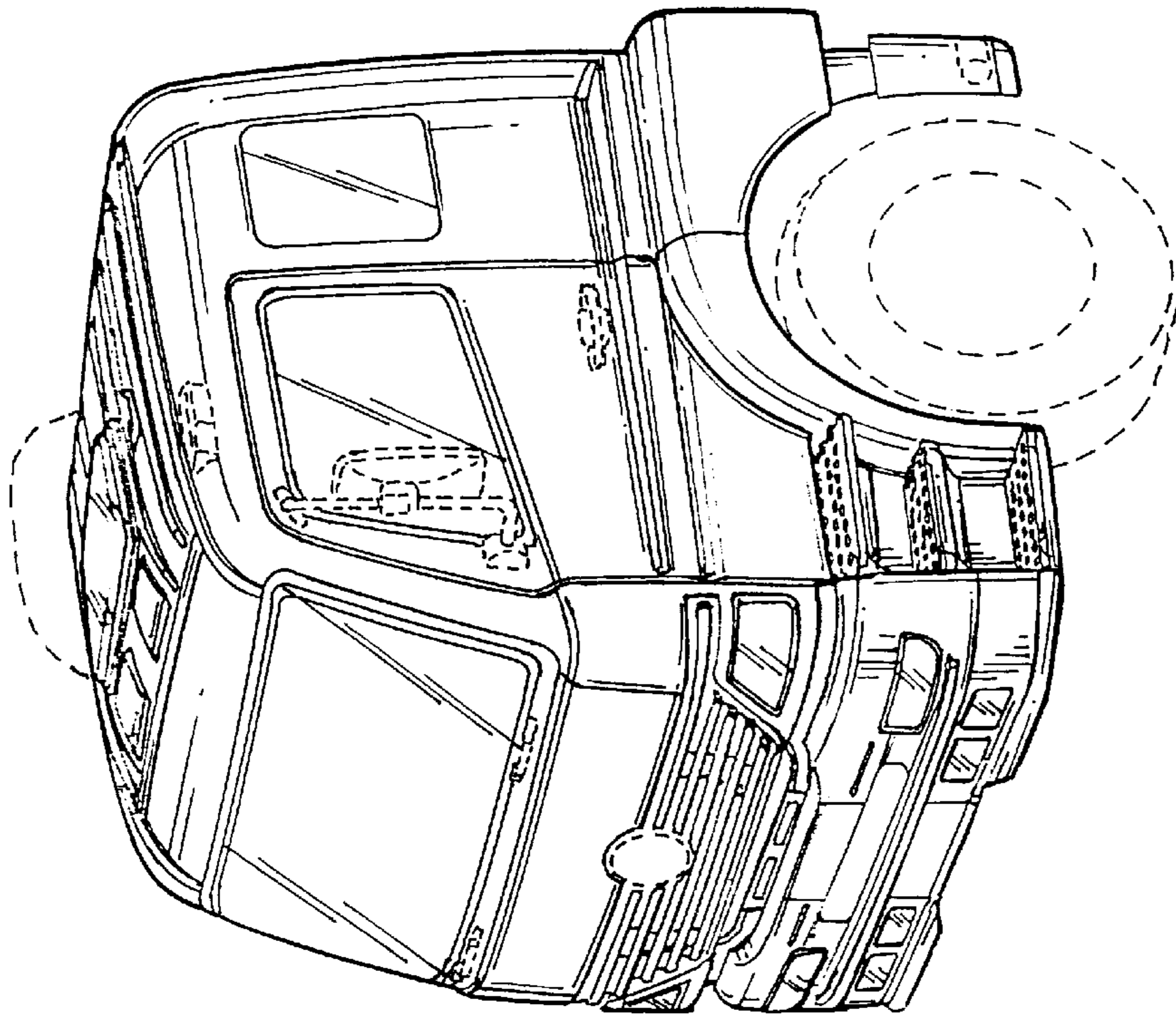


FIG. 6

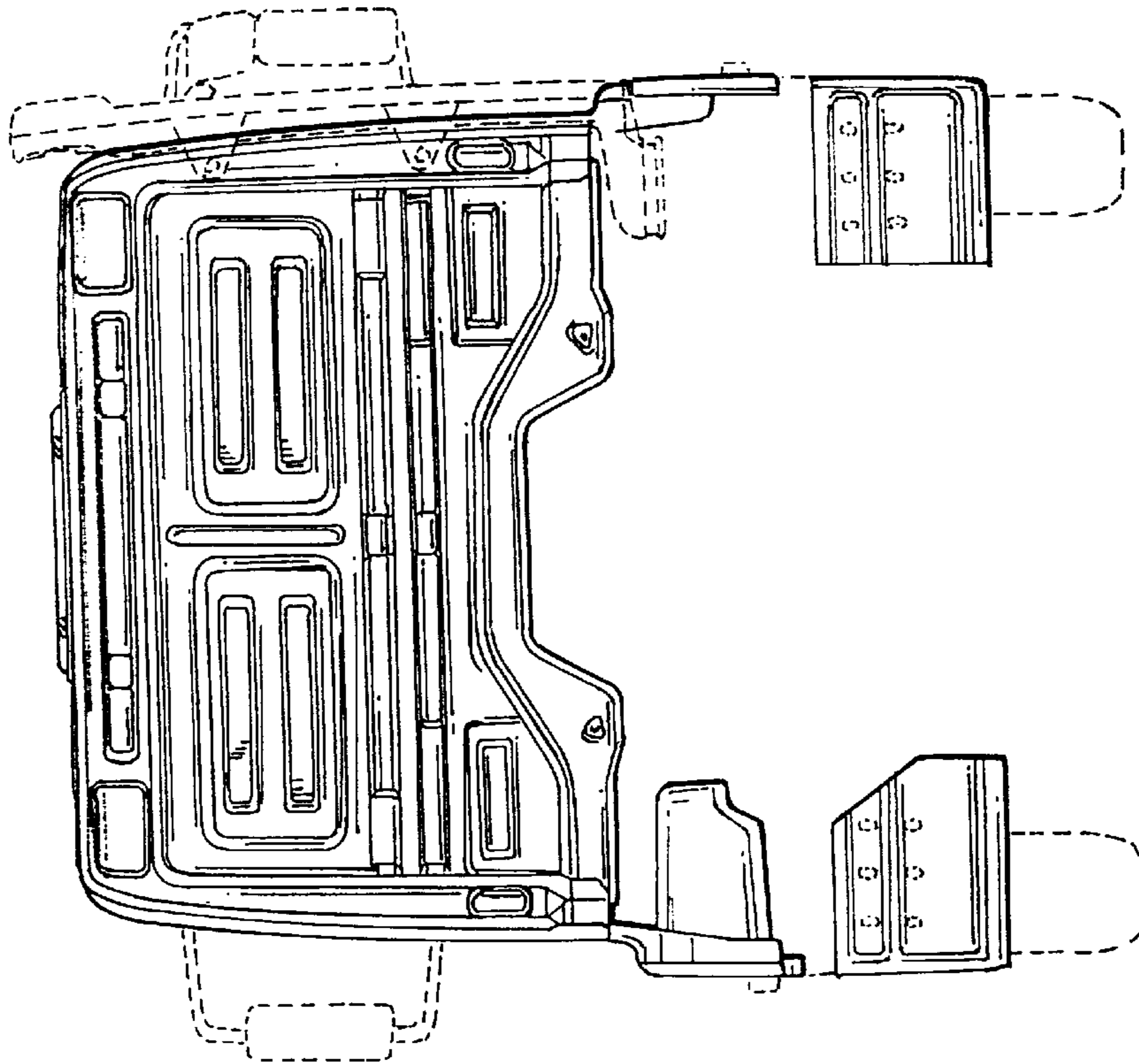


FIG. 5