



US00D411136S

United States Patent [19] Avey

[11] **Patent Number: Des. 411,136**

[45] **Date of Patent: ** Jun. 22, 1999**

[54] **FLOWER PLANTER**

4,085,544 4/1978 Blake 47/39

[76] Inventor: **Charles M Avey**, 105 Fletcher Ct., Martinsburg, W. Va. 25401

Primary Examiner—Doris V. Coles
Assistant Examiner—Linda Brooks

[**] Term: **14 Years**

[57] **CLAIM**

The ornamental design for a flower planter, as shown.

[21] Appl. No.: **29/087,722**

DESCRIPTION

[22] Filed: **May 7, 1998**

[51] **LOC (6) Cl.** **11-02**

[52] **U.S. Cl.** **D11/149; D6/450**

[58] **Field of Search** D6/403–405, 450, D6/474; D11/143–149, 156; 206/423; 248/27.8; 47/65.5, 68, 69, 72, 39, 40; D7/388; D19/75

FIG. 1 is a front elevational view of the flower planter of the present invention;

FIG. 2 is a back elevational view of the flower planter of FIG. 1;

FIG. 3 is a left side elevational view of the flower planter of FIG. 1;

FIG. 4 is a right side elevational view of the flower planter of FIG. 1;

FIG. 5 is a top plan view of the flower planter of FIG. 1;

FIG. 6 is a bottom plan view of the flower planter of FIG. 1; and,

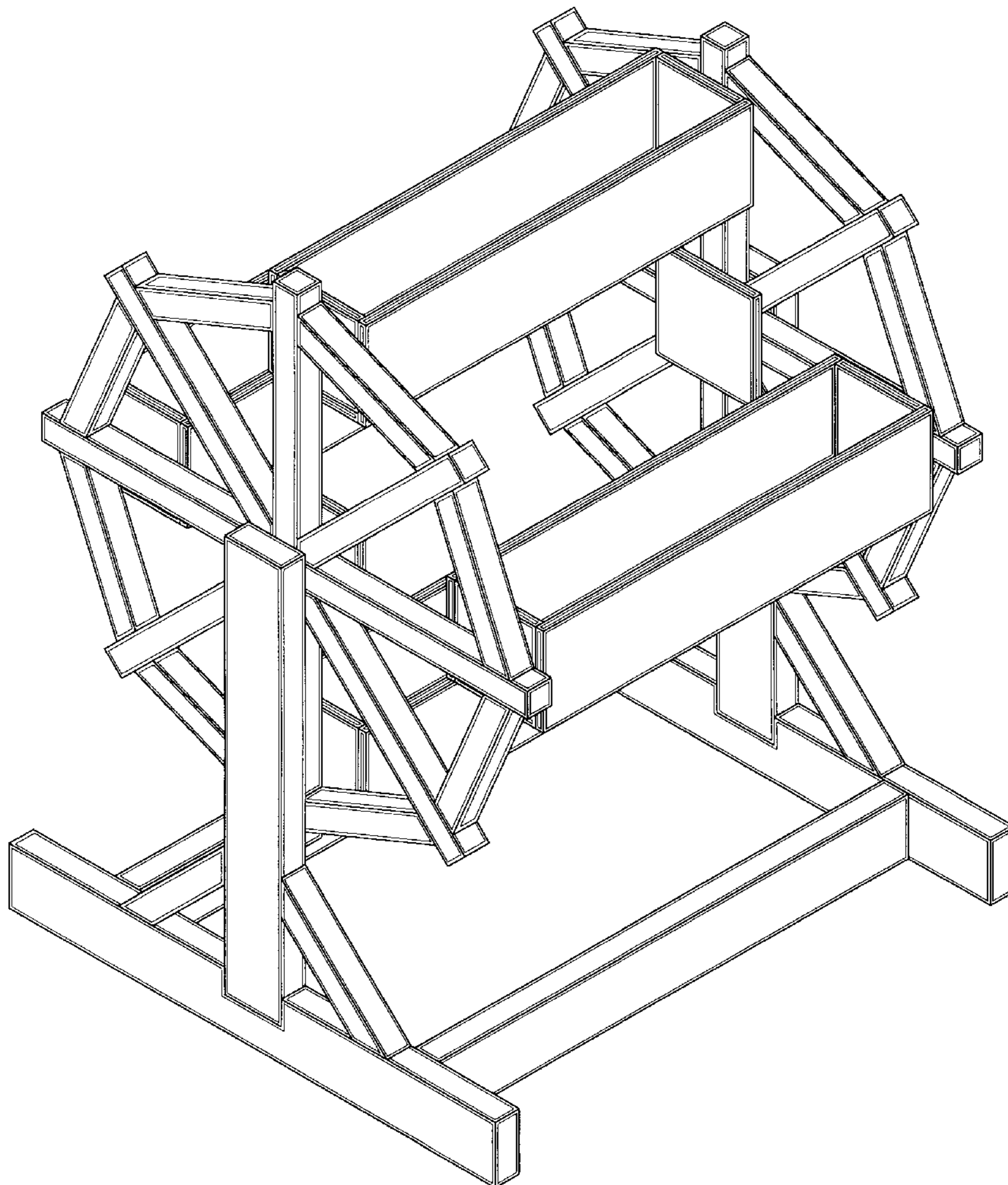
FIG. 7 is a top, front, right side perspective view of the flower planter of FIG. 1.

[56] **References Cited**

U.S. PATENT DOCUMENTS

D. 218,175	7/1970	Lindley	D6/450
D. 223,677	5/1972	Wienert	D11/156
D. 258,206	2/1981	Bourke	D7/388
D. 264,604	5/1982	Sussman	D19/75
D. 332,186	1/1993	Bellaflares	D6/404
3,339,308	9/1967	Clare	47/79

1 Claim, 4 Drawing Sheets



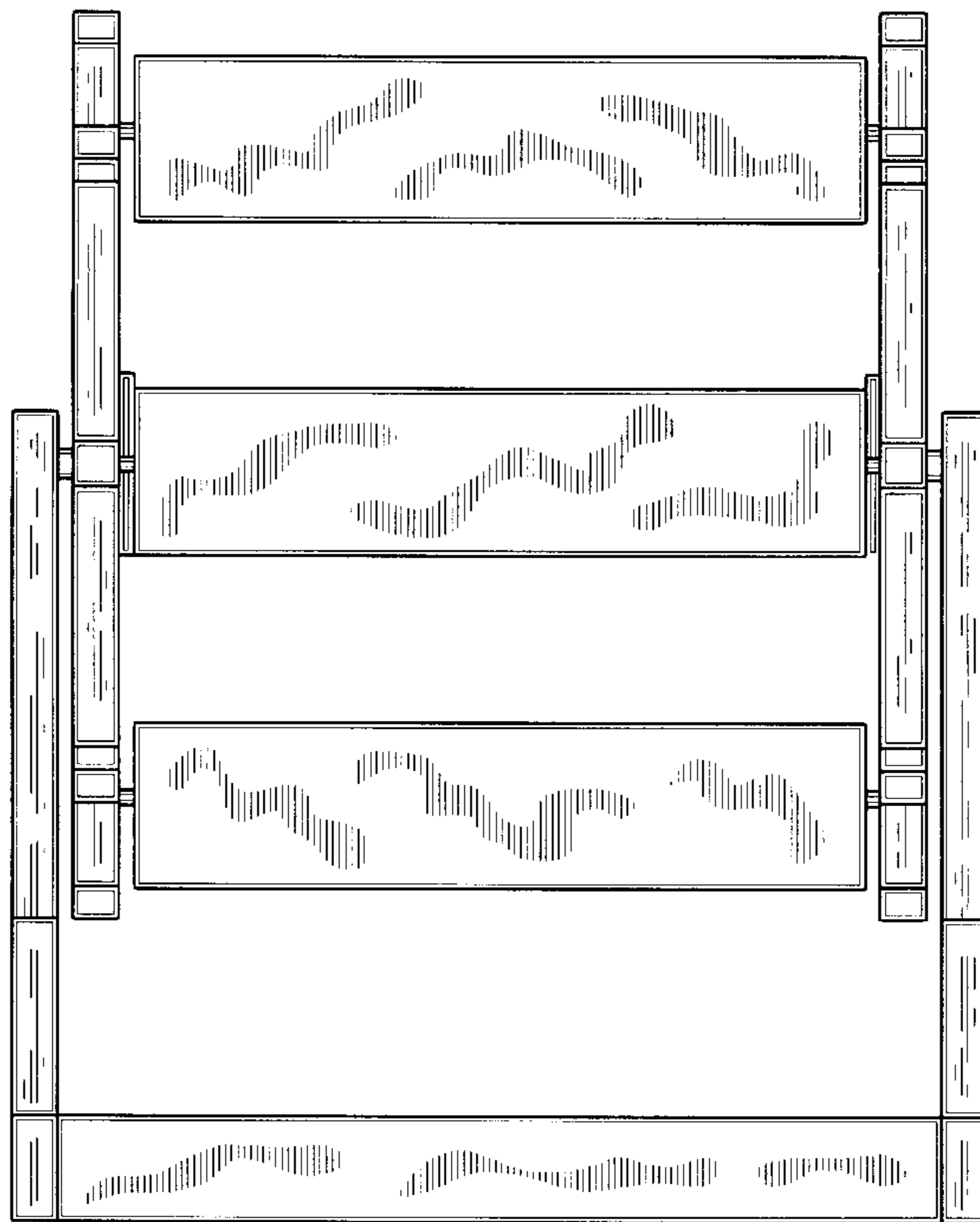


Fig. 1

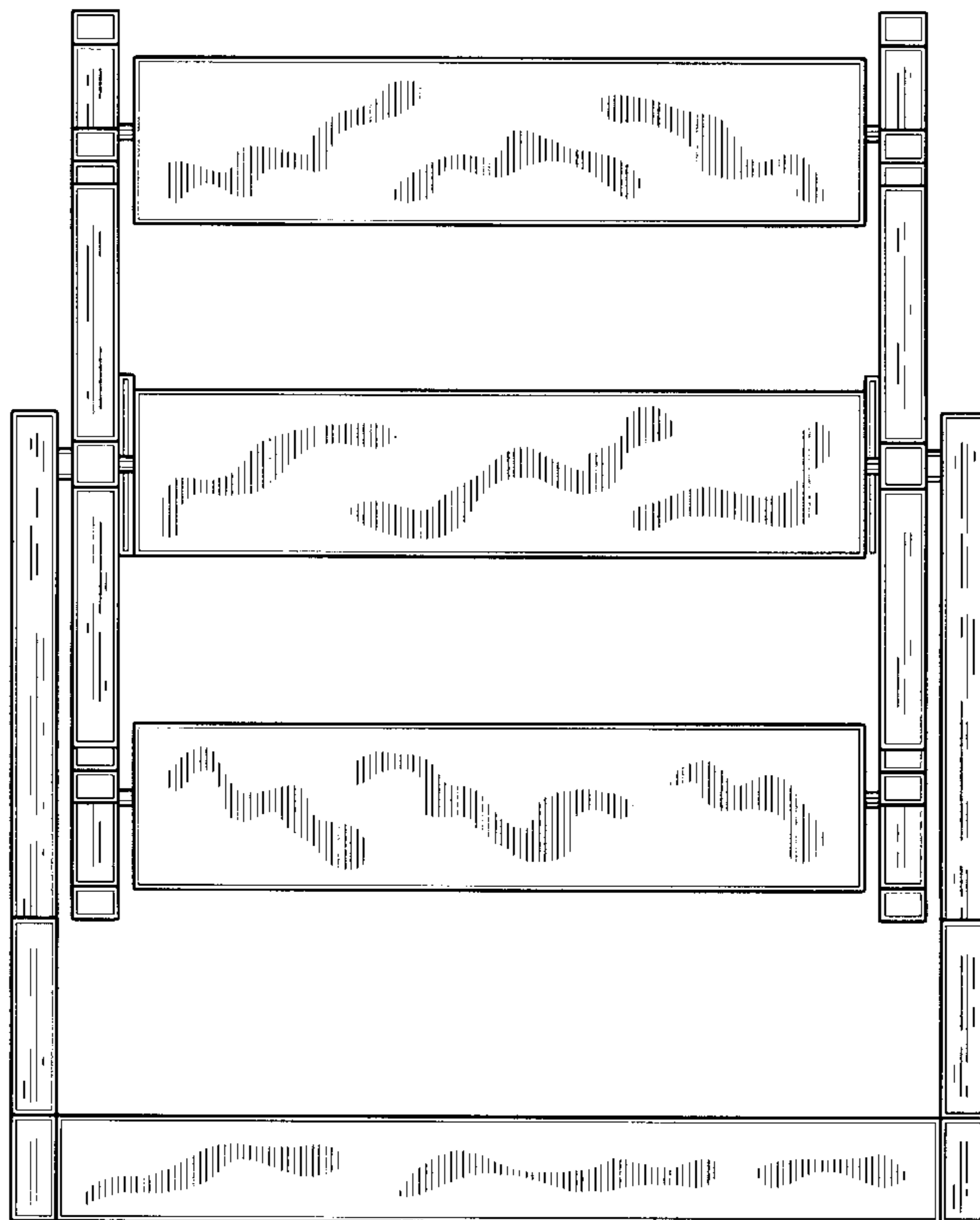


Fig. 2

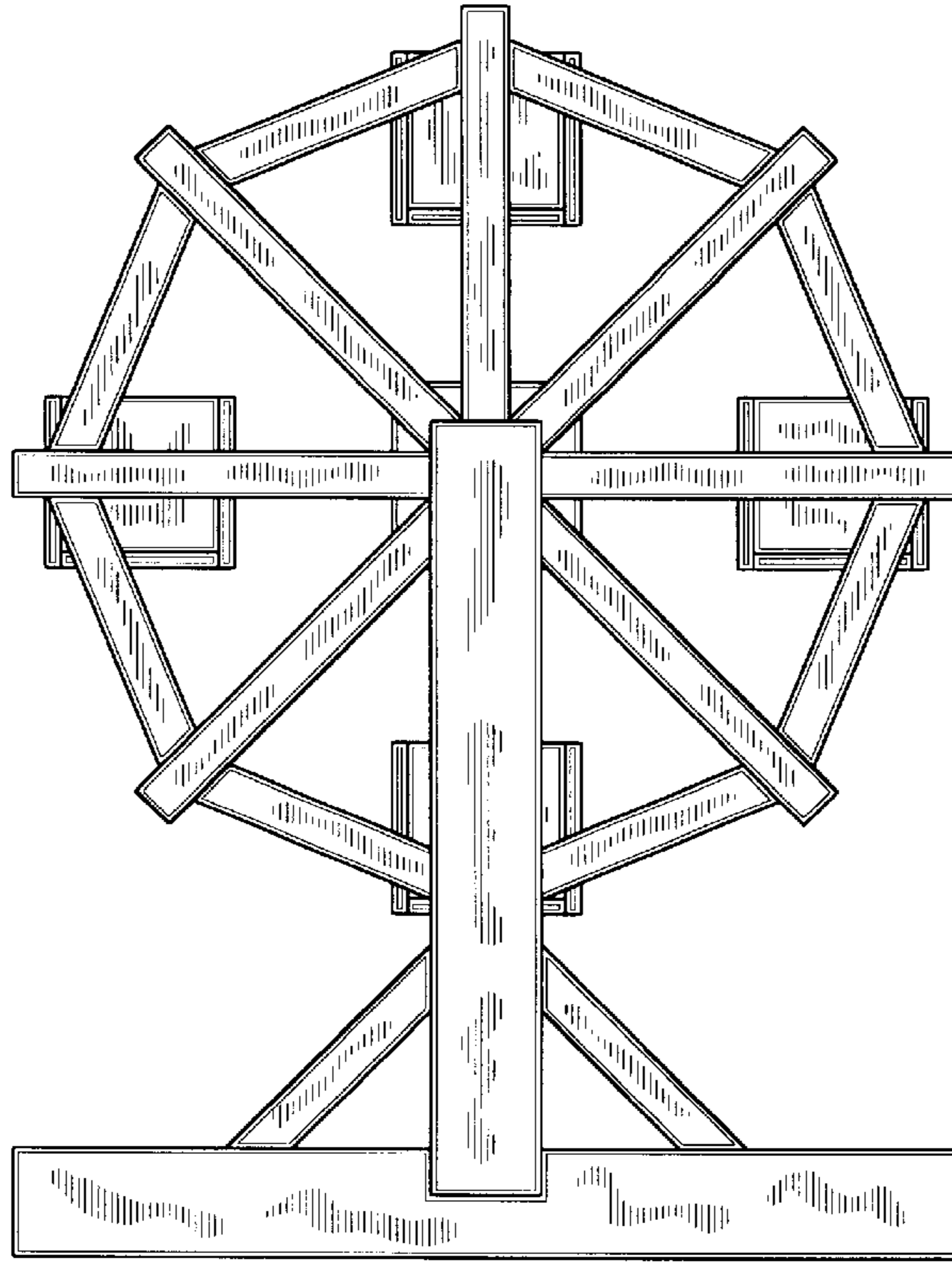


Fig. 3

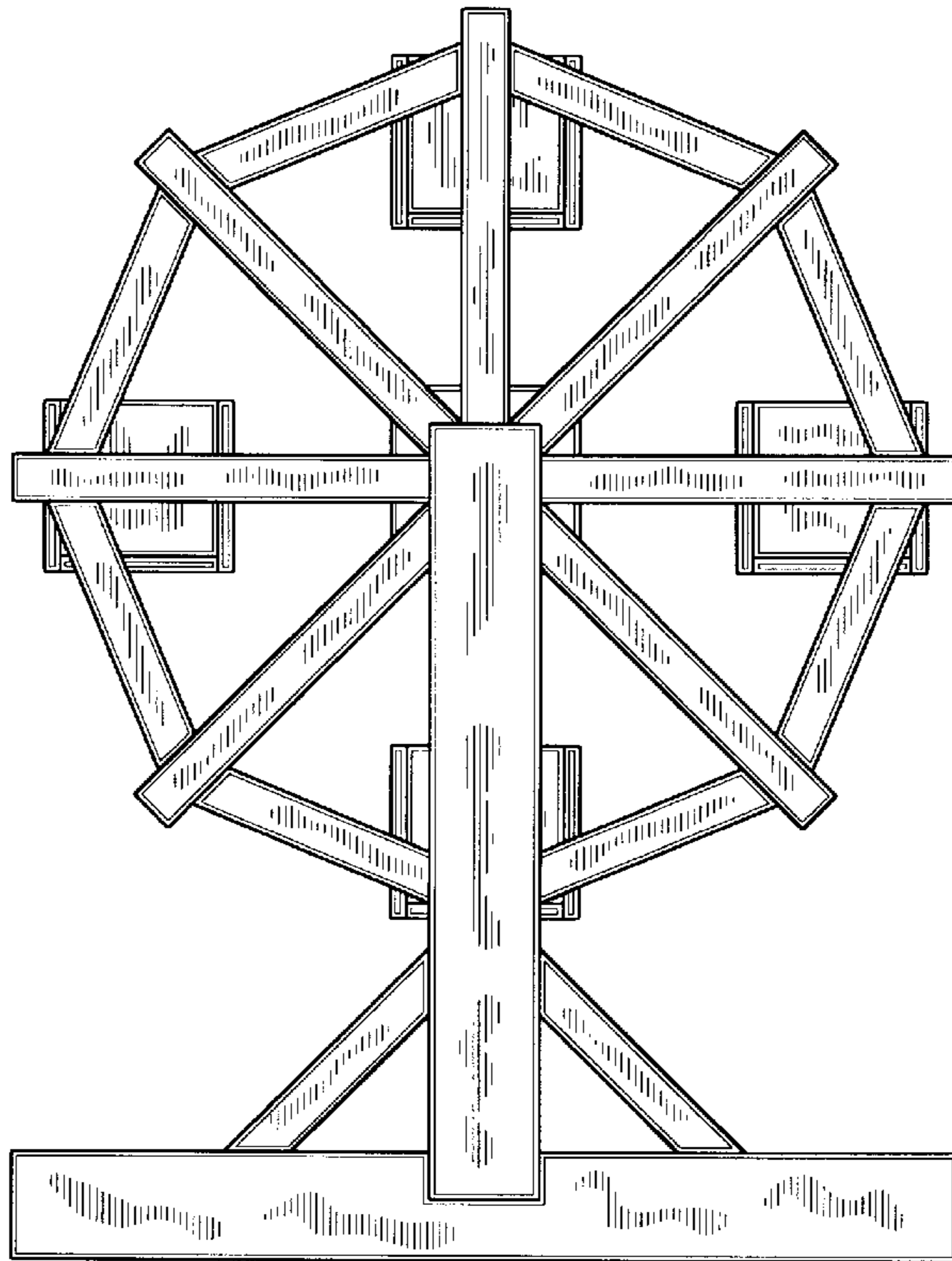


Fig. 4

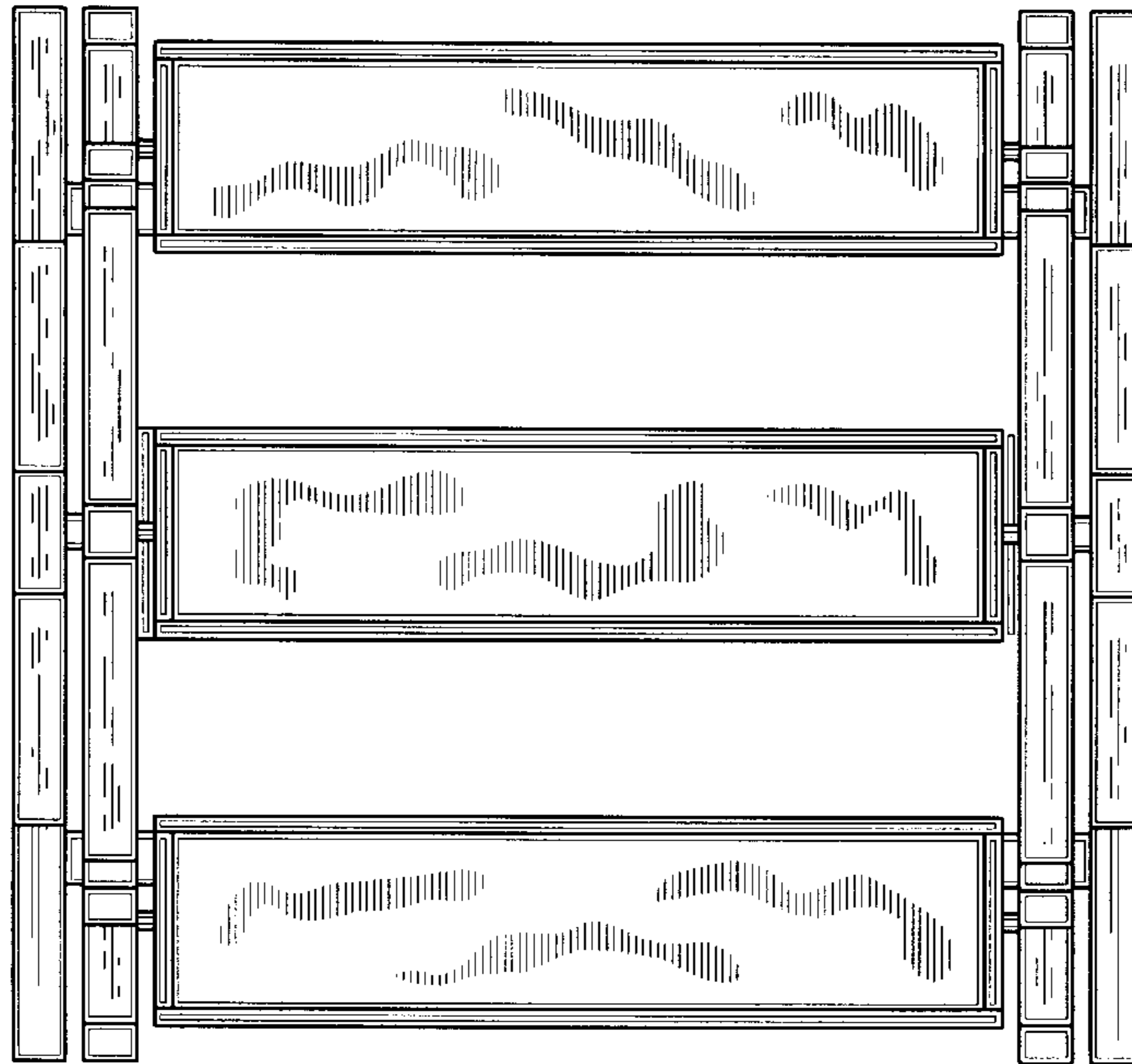


Fig. 5

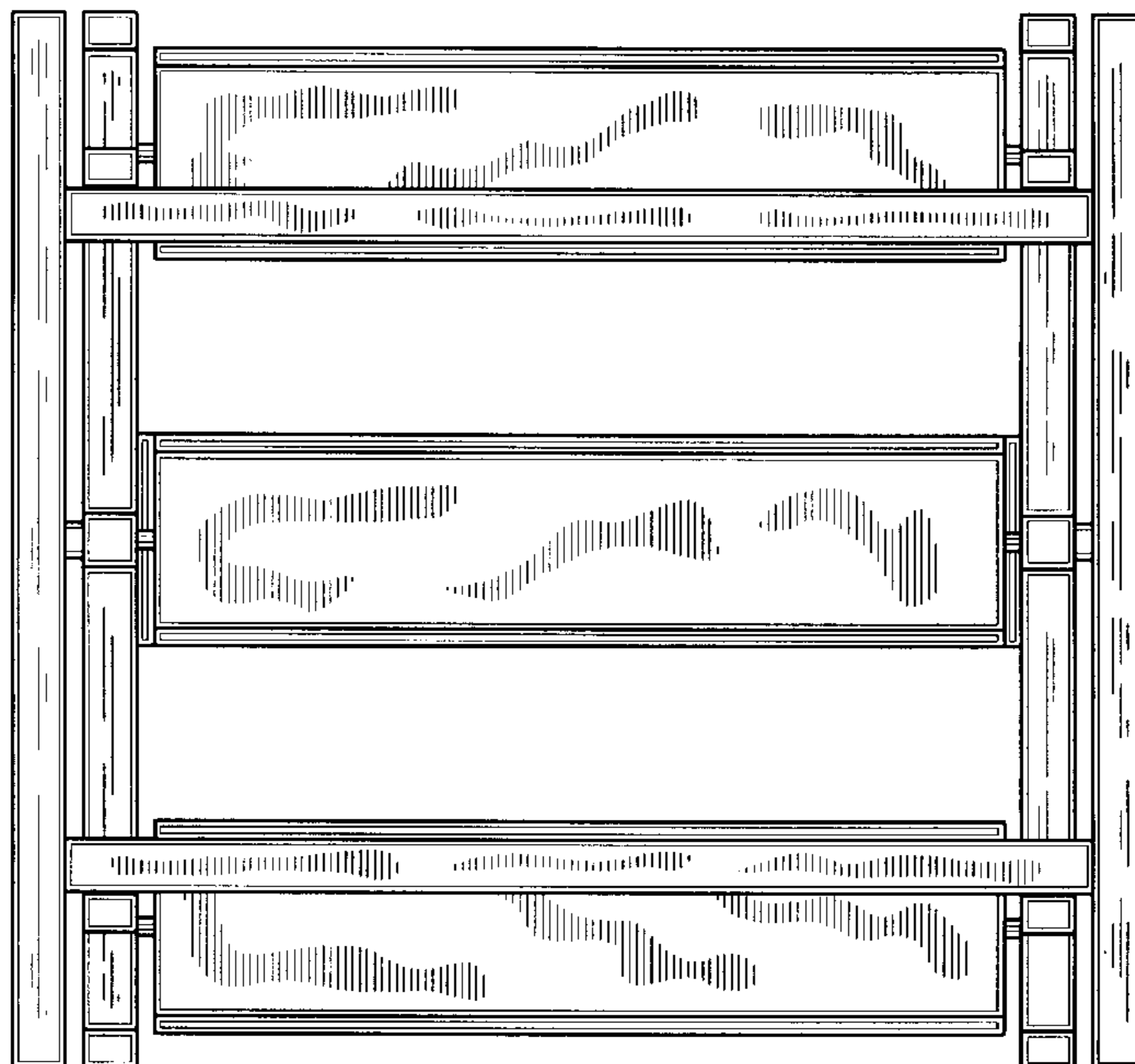


Fig. 6

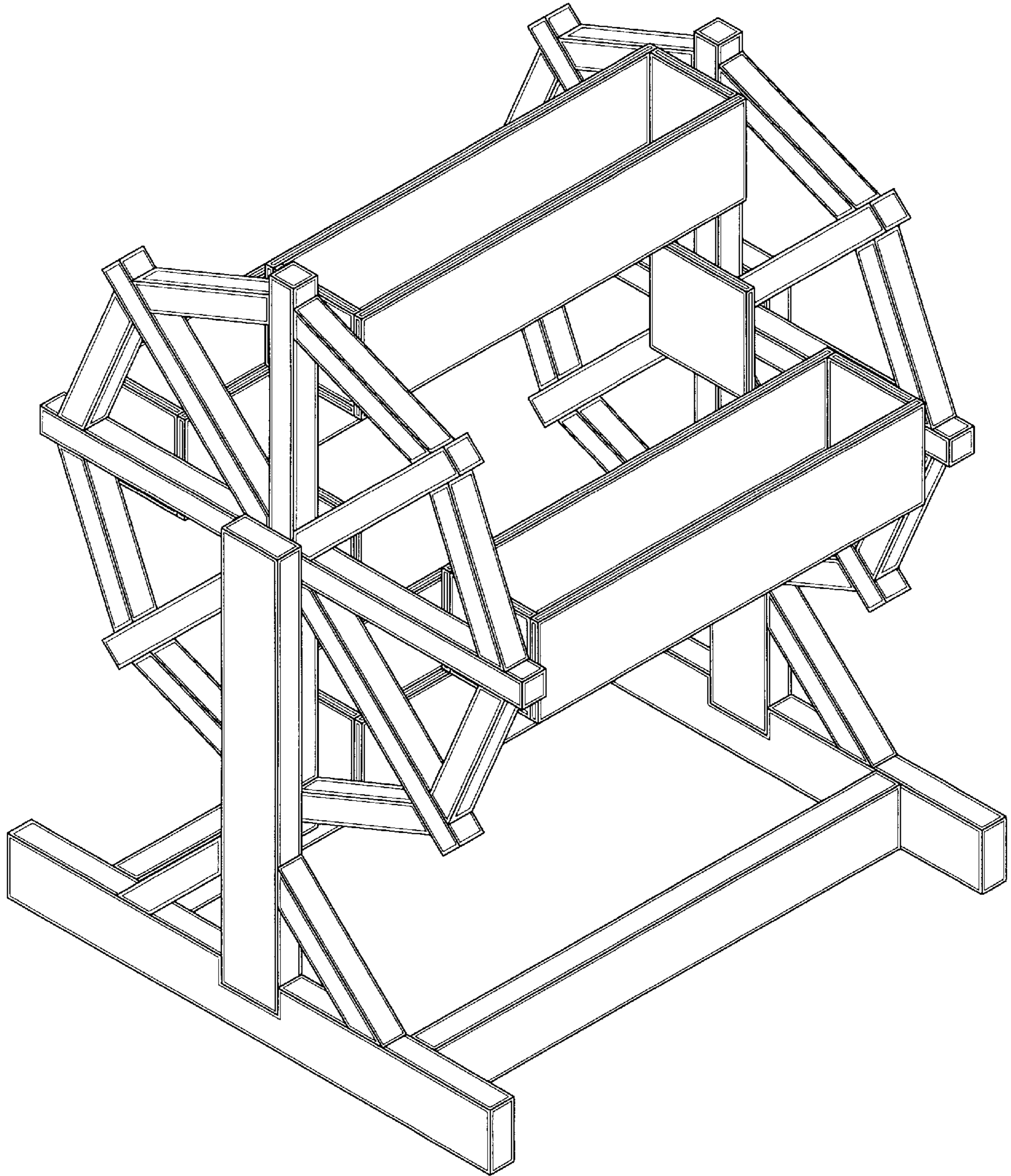


Fig. 7