



US00D411134S

**United States Patent** [19]  
**Lai**

[11] **Patent Number: Des. 411,134**

[45] **Date of Patent: \*\* Jun. 22, 1999**

[54] **JEWELRY SETTING**

[75] Inventor: **Danny S. Lai**, New York, N.Y.

[73] Assignee: **Gramercy Jewelry Manufacturing Corp.**, New York, N.Y.

[\*\*] Term: **14 Years**

[21] Appl. No.: **29/072,600**

[22] Filed: **Jun. 20, 1997**

[51] **LOC (6) Cl.** ..... **11-01**

[52] **U.S. Cl.** ..... **D11/92**

[58] **Field of Search** ..... D11/1, 2, 36, 48,  
D11/75-76, 86-88, 91, 92; 63/12, 13, 26,  
27, 29 R; 128/329

[56] **References Cited**

**U.S. PATENT DOCUMENTS**

- D. 273,666 5/1984 Hayashi ..... D11/1
- D. 275,660 9/1984 Carroll ..... D11/86
- 5,671,613 9/1997 Hoover et al. .... 63/26

**OTHER PUBLICATIONS**

Rio Grande Albuquerque 1991-1992 Catalog—Finding & Chains Item upper right of p. 51.

*Primary Examiner*—Ralf Seifert

*Attorney, Agent, or Firm*—Kenyon & Kenyon

[57] **CLAIM**

The ornamental design for a jewelry setting, as shown and described.

**DESCRIPTION**

FIG. 1 is a top plan view of a jewelry setting showing my new design;

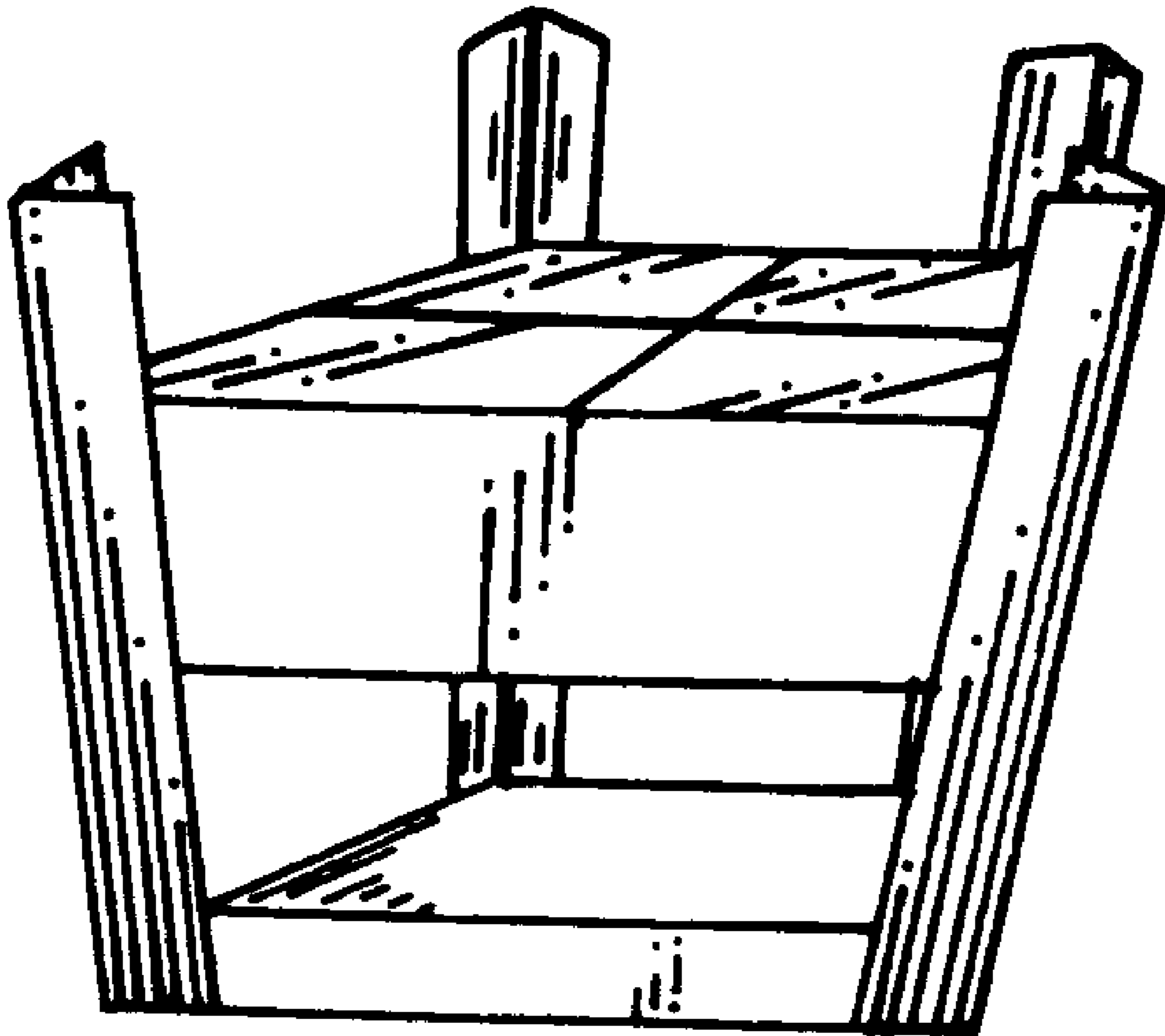
FIG. 2 is a perspective view;

FIG. 3 is a perspective view of a jewelry setting showing a second embodiment of my new design as it applies to an earring;

FIG. 4 is a bottom plan view of FIG. 1; and,

FIG. 5 is a right side perspective view of a jewelry setting showing a second embodiment of my new design, the left side being a mirror image. It being understood that the bottom of FIG. 5 is plain and unornamented.

**1 Claim, 2 Drawing Sheets**



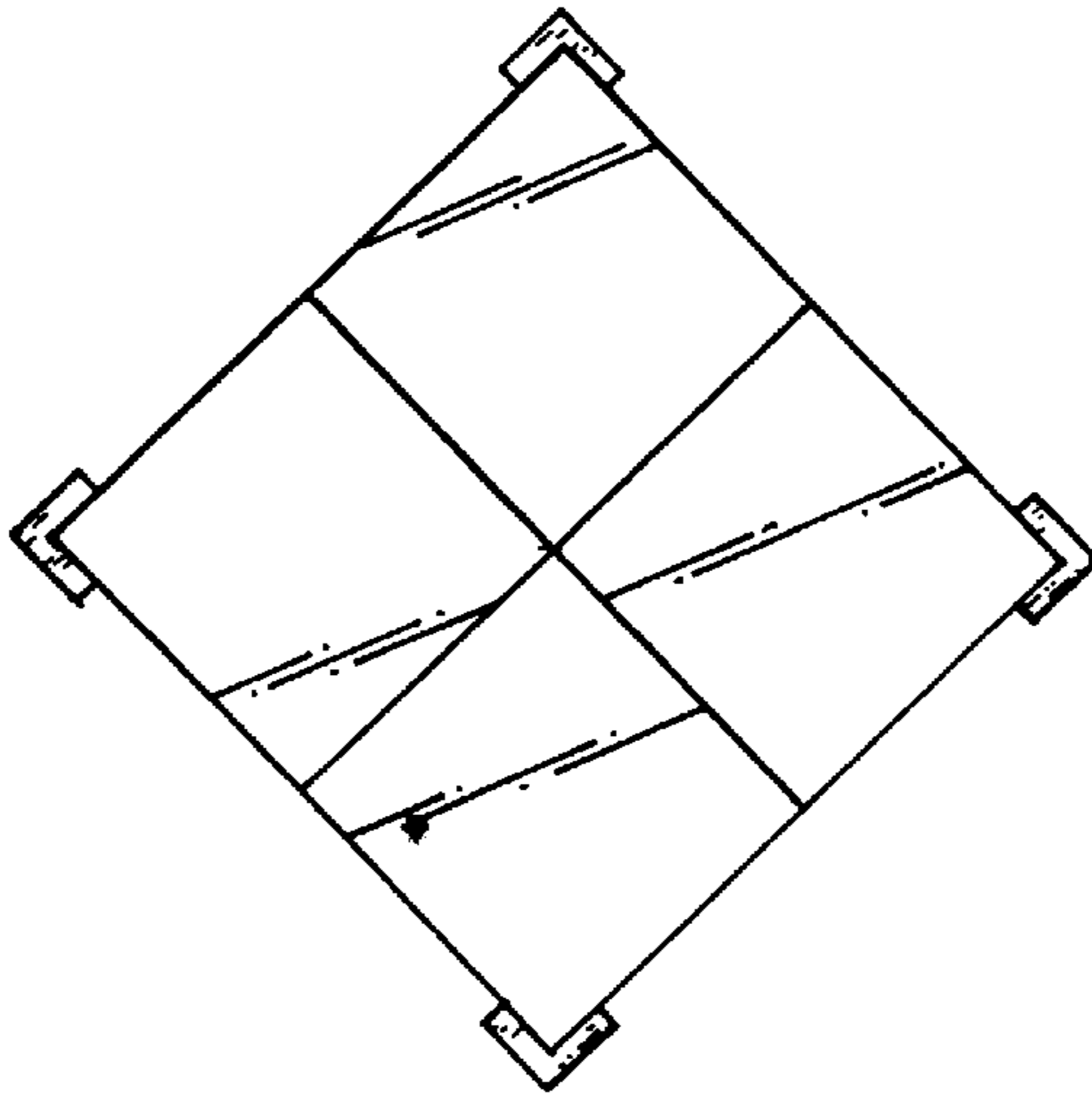


FIG. 1

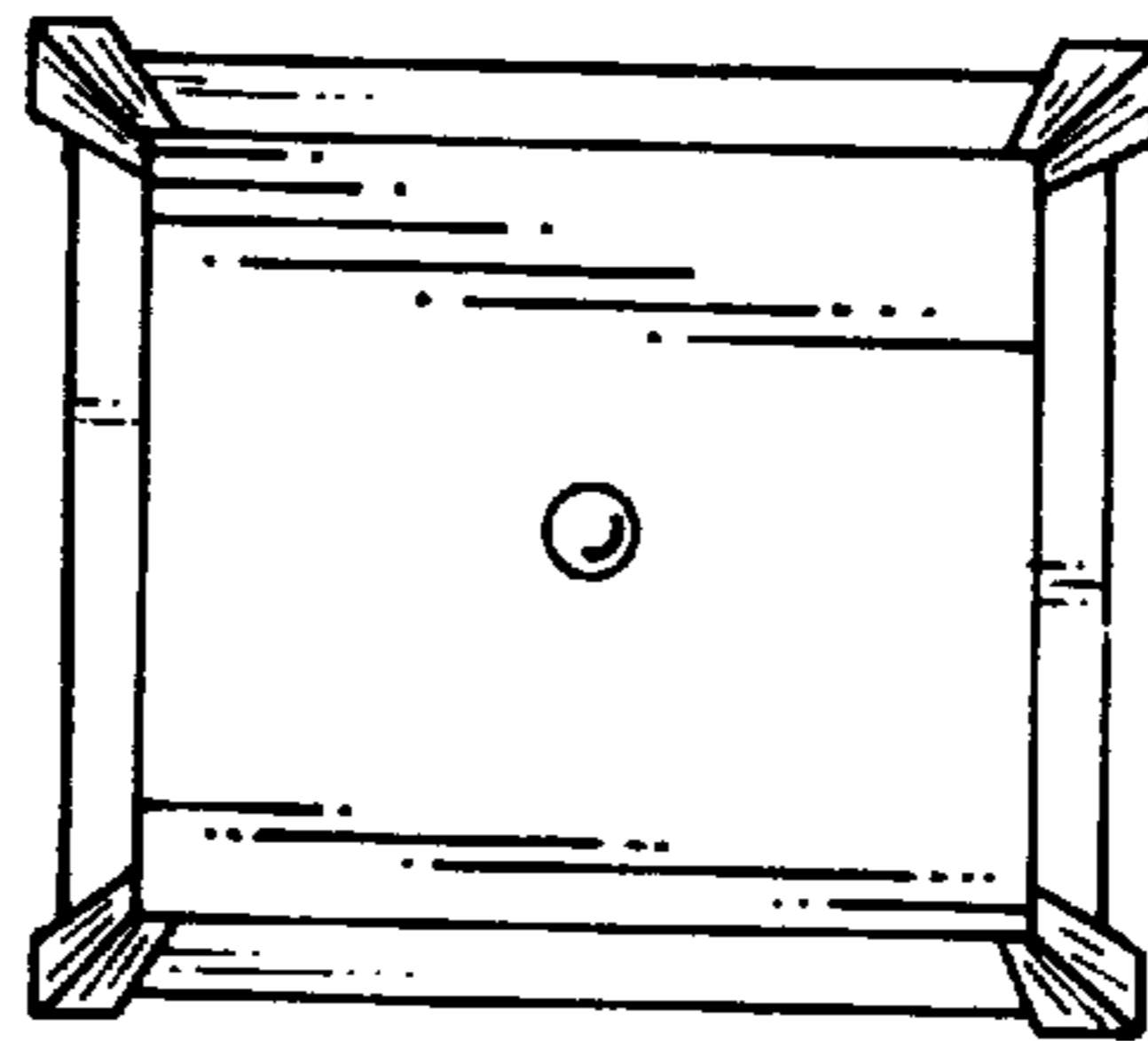


FIG. 4

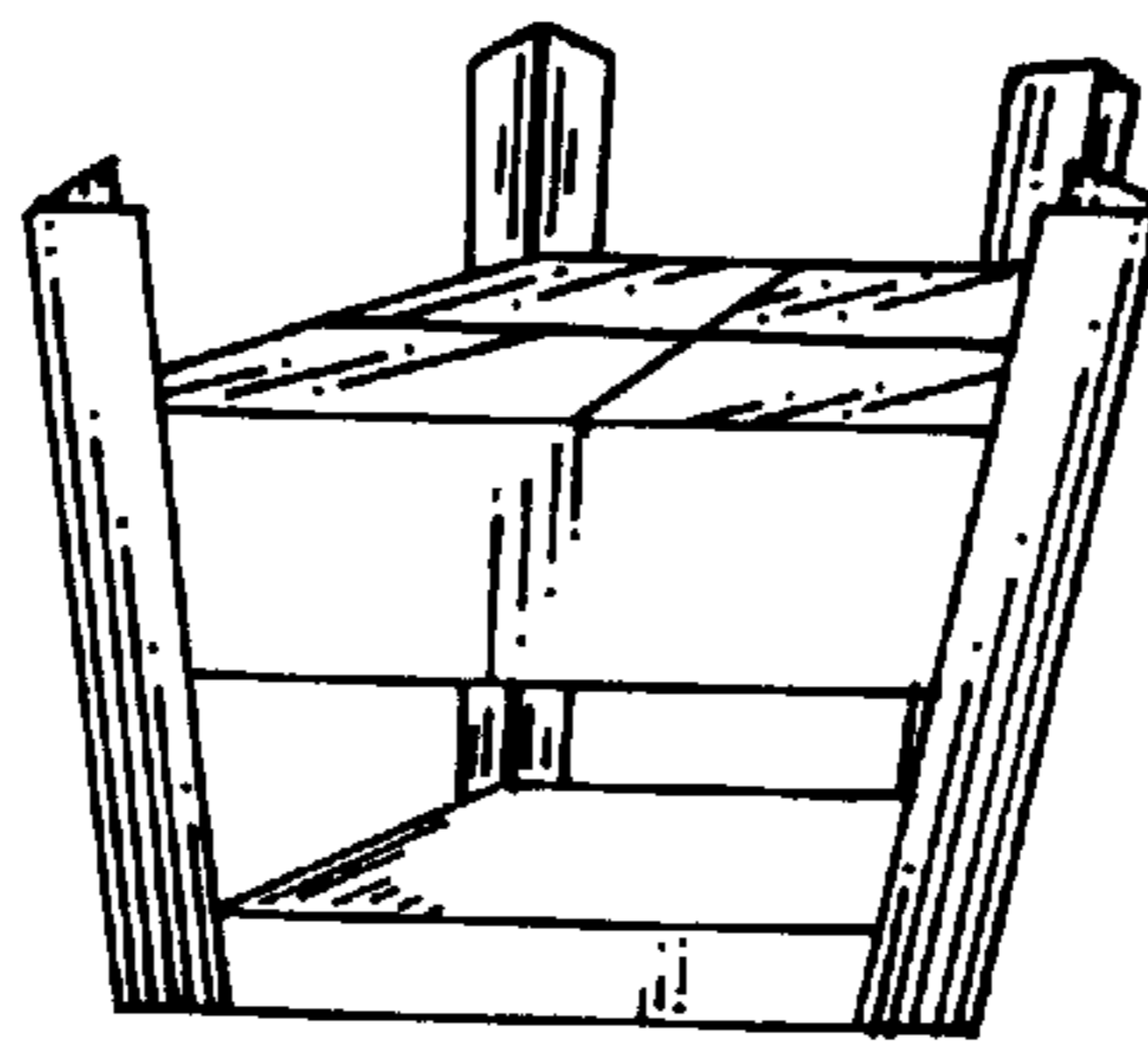


FIG. 5

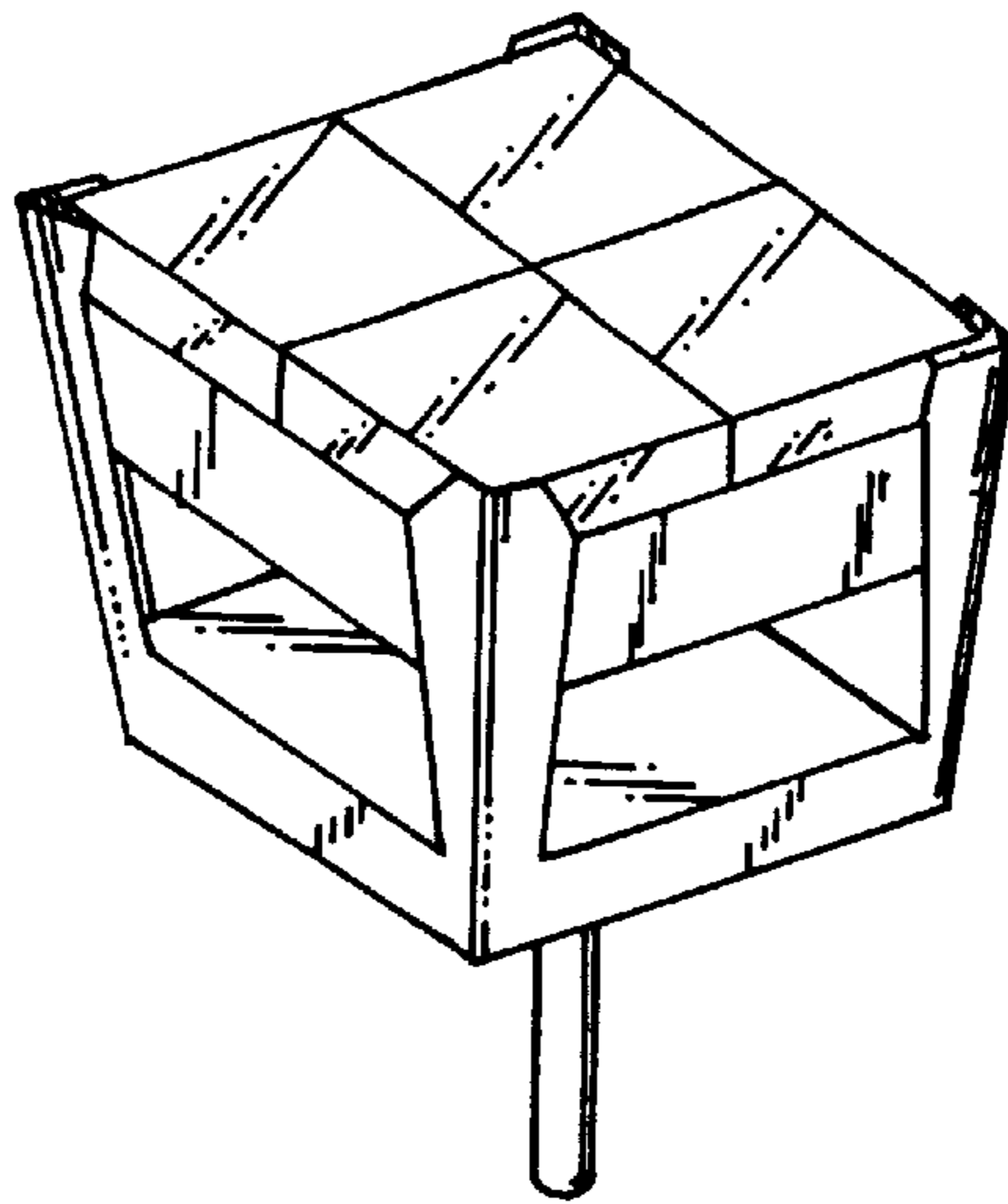


FIG. 2

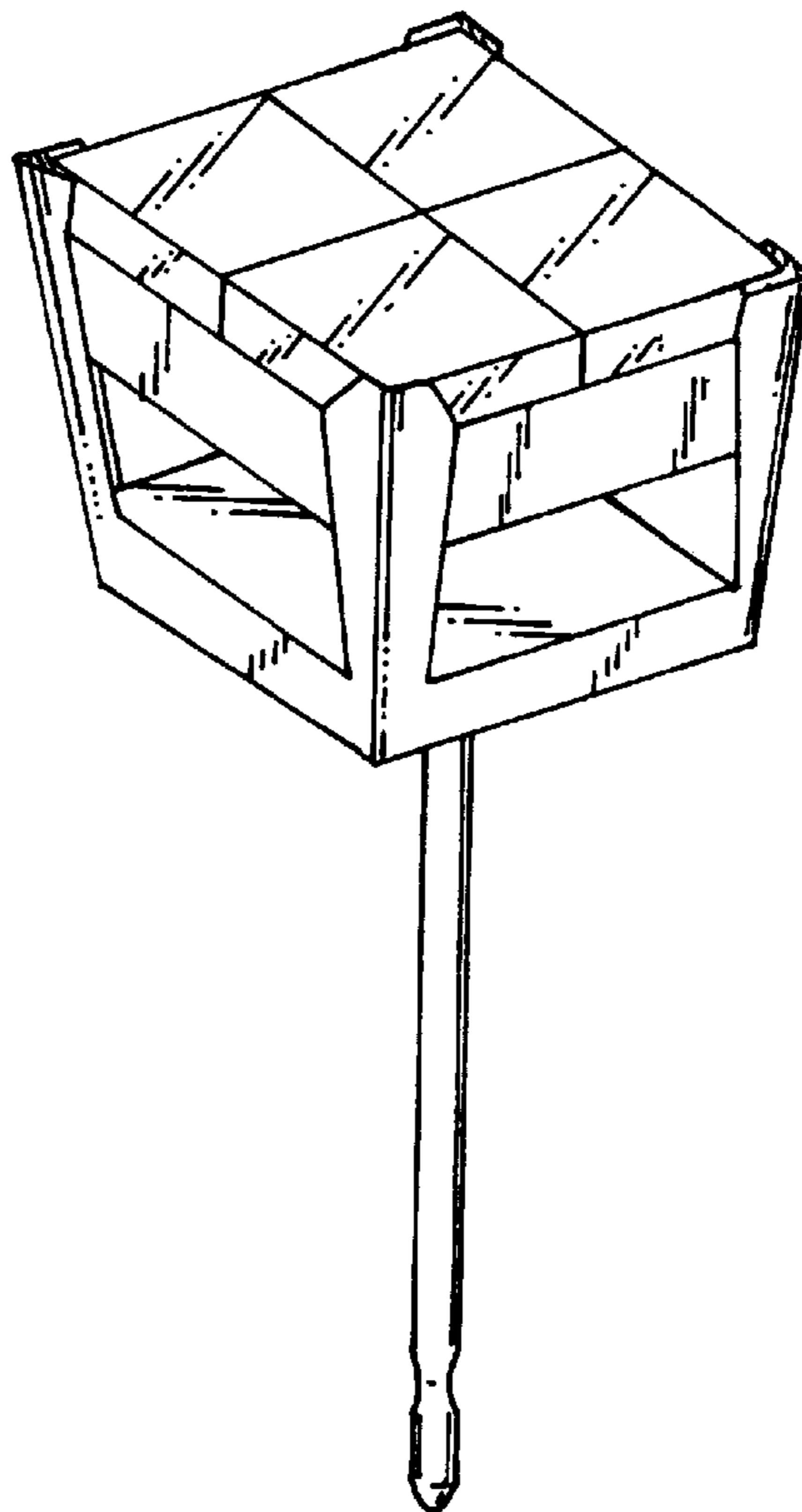


FIG. 3