



US00D411130S

United States Patent [19]
Zappolo

[11] **Patent Number: Des. 411,130**

[45] **Date of Patent: ** Jun. 22, 1999**

[54] **RING**
[76] **Inventor: Len Zappolo, 4 Rabbit Run Rd., Malvern, Pa. 19355**
[**] **Term: 14 Years**
[21] **Appl. No.: 29/079,275**
[22] **Filed: Nov. 12, 1997**
[51] **LOC (6) Cl. 11-01**
[52] **U.S. Cl. D11/26**
[58] **Field of Search D11/26-39; 63/1.13, 63/3, 15, 15.1-15.3, 15.45, 20**

1,395,488 11/1921 Ginder 63/15.3
2,085,723 7/1937 Adelsberger et al. 63/3
2,294,577 9/1942 Scott 63/15.1

OTHER PUBLICATIONS

The Ball Company ordering brochure; rings with offset stones, Apr. 1970.

Primary Examiner—Cathy Anne MacCormac
Attorney, Agent, or Firm—John Lezdey & Assoc.

[57] **CLAIM**

The ornamental design for a ring, shown and described.

DESCRIPTION

FIG. 1 is a front elevational view of a ring showing my new design;
FIG. 2 is a rear elevational view thereof;
FIG. 3 is a top plan view thereof;
FIG. 4 is a bottom plan view thereof;
FIG. 5 is a side elevational view thereof, the opposite side being a mirror image; and,
FIG. 6 is a perspective view thereof.
The broken lines are for purpose of illustration only and form no part of the claimed design.

[56] **References Cited**
U.S. PATENT DOCUMENTS
D. 31,190 7/1899 Rhoades D11/27
D. 61,194 7/1922 Ginder D11/28
D. 109,800 5/1938 Foss D11/32
D. 136,138 8/1943 Blumstein D11/37
D. 158,249 4/1950 Clafin D11/27
D. 259,188 5/1981 Barr D11/36
D. 273,283 4/1984 Bulgari D11/34
D. 292,073 9/1987 DiPasquale D11/30
D. 316,530 4/1991 Clifton D11/28
D. 326,241 5/1992 Kroh D11/26

1 Claim, 1 Drawing Sheet

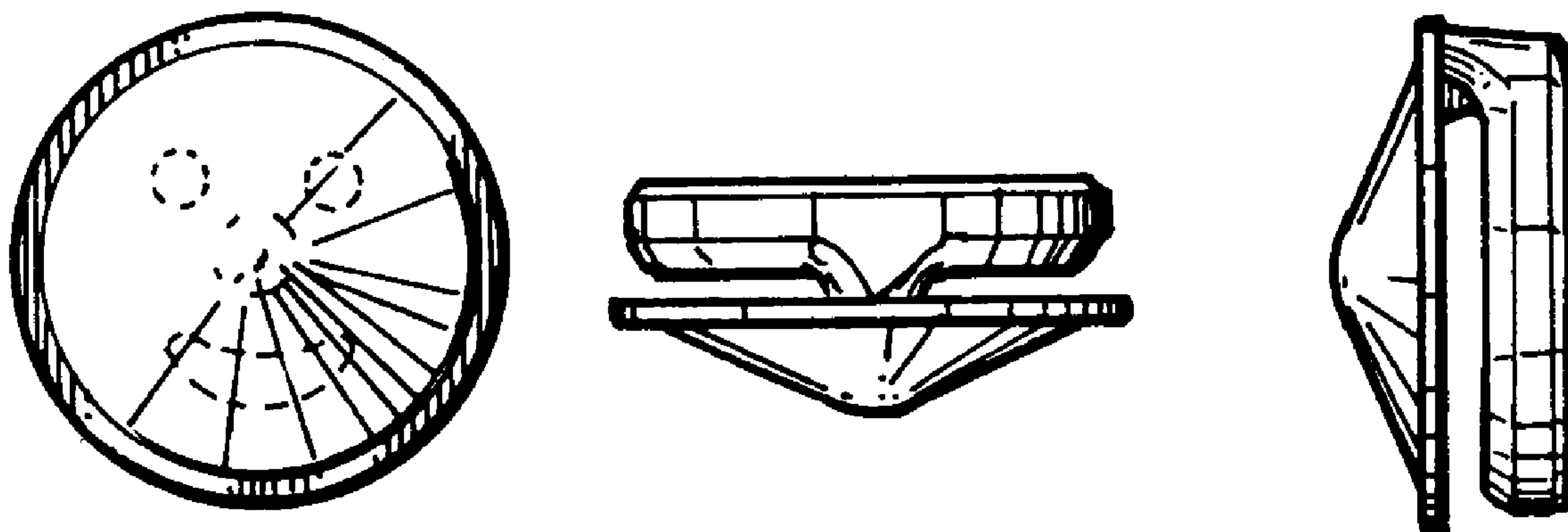


FIG. 1

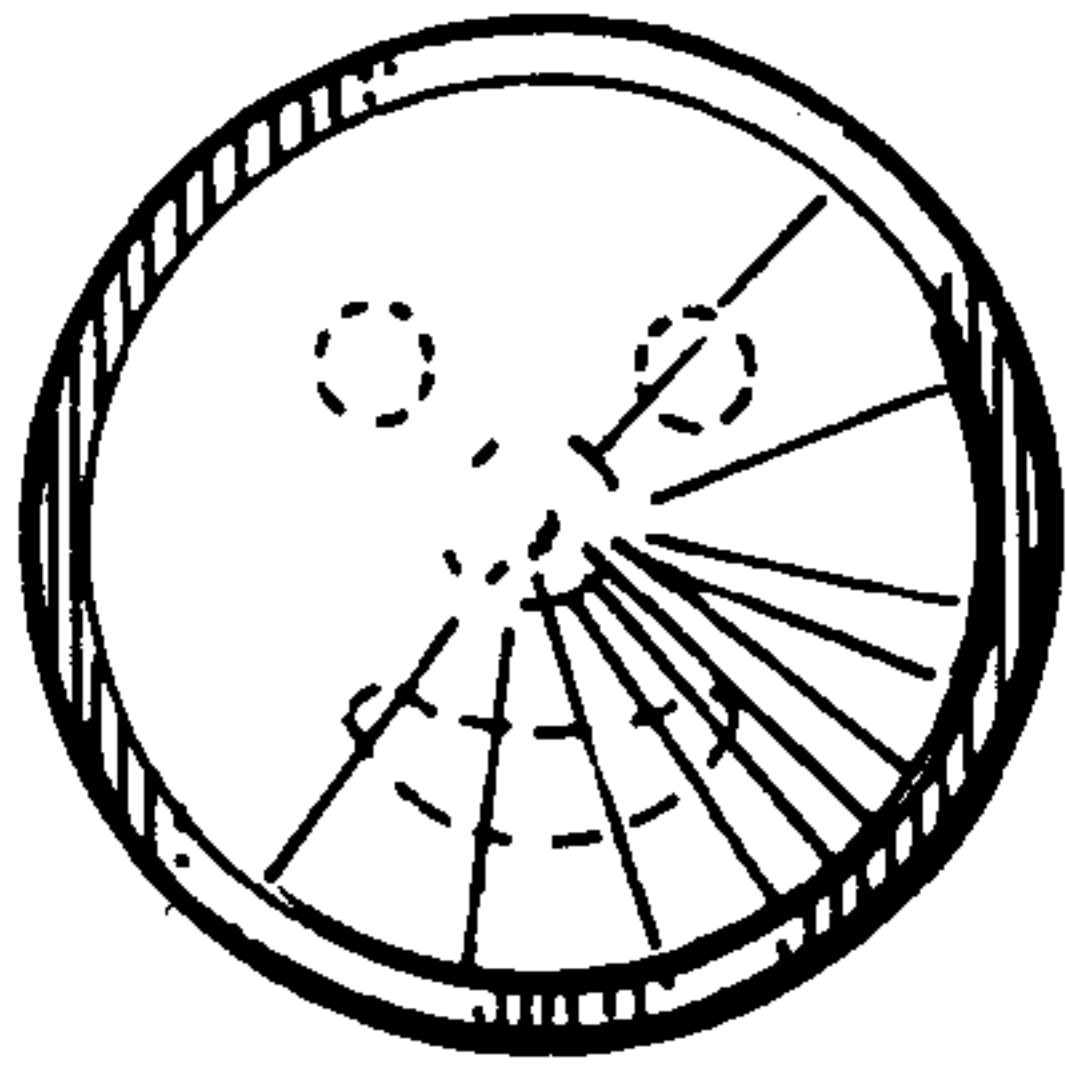


FIG. 2

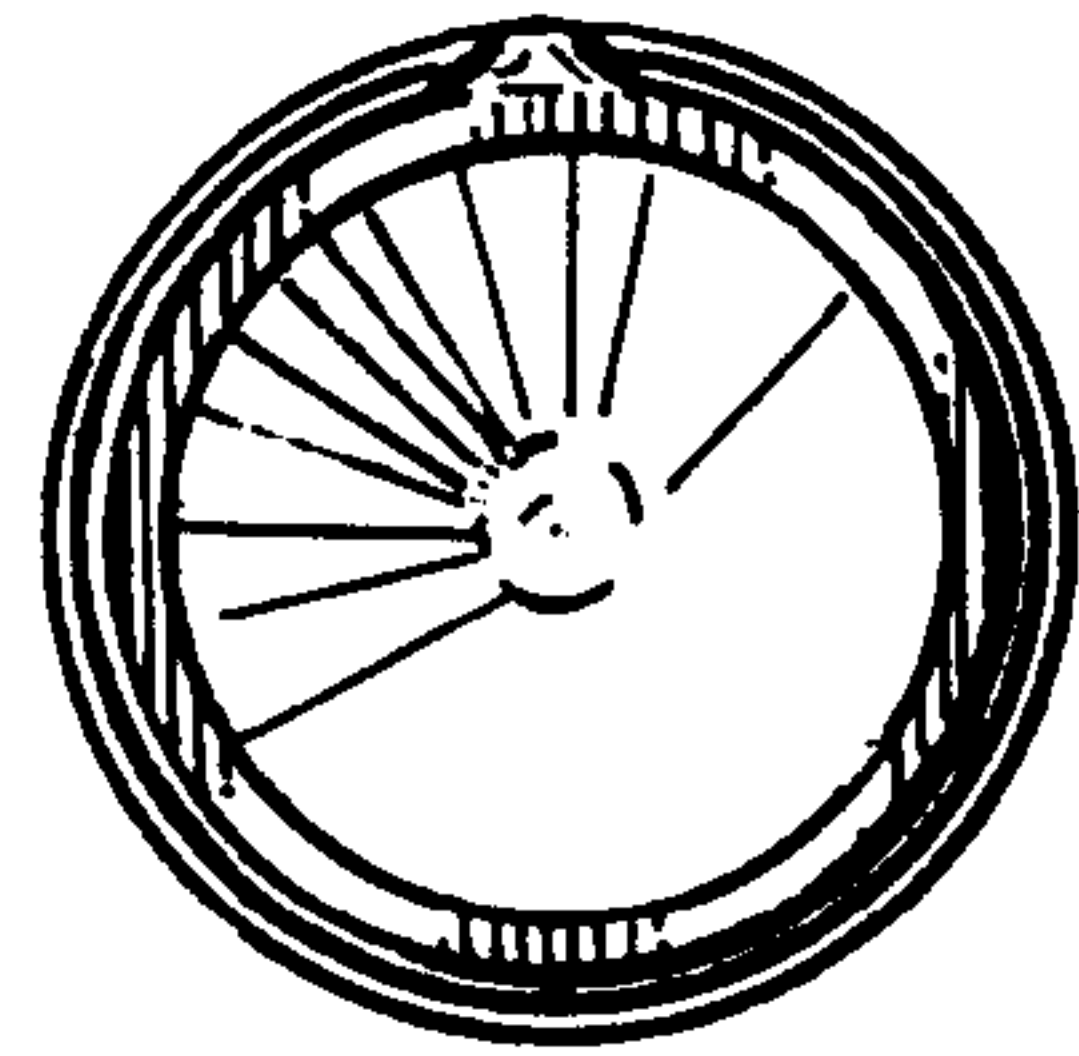


FIG. 3

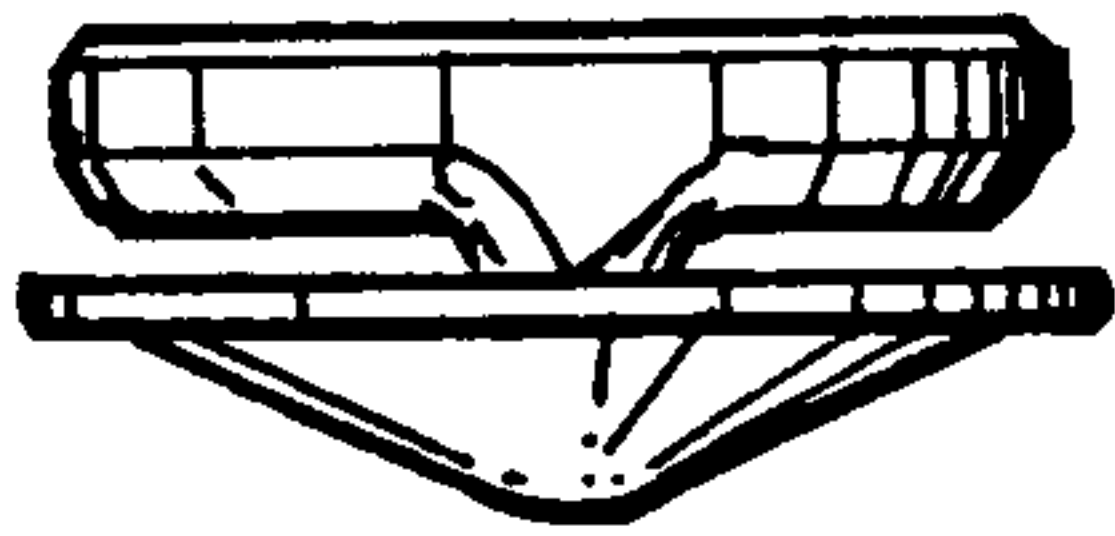


FIG. 4

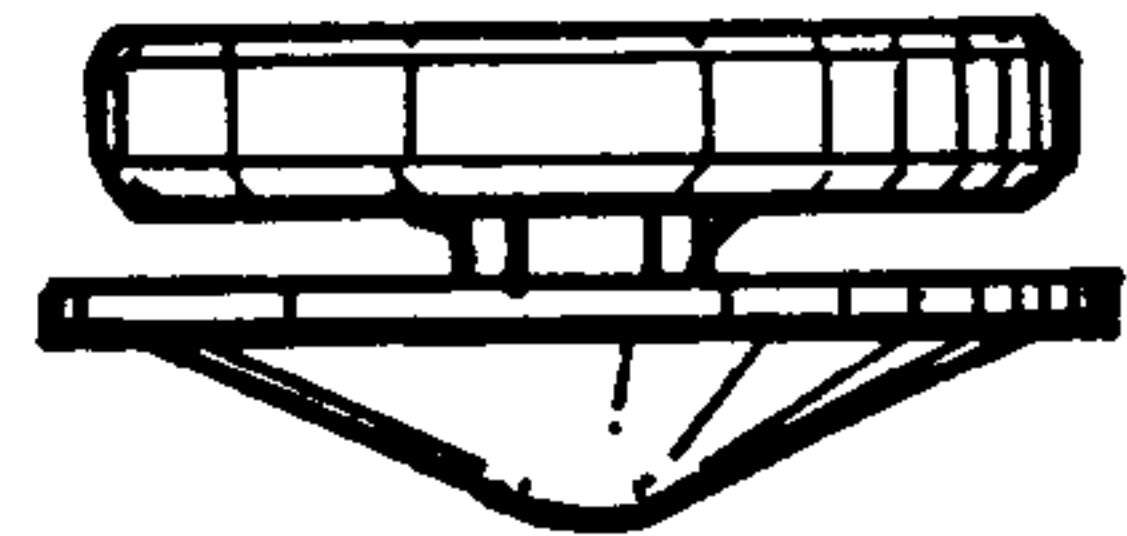


FIG. 5

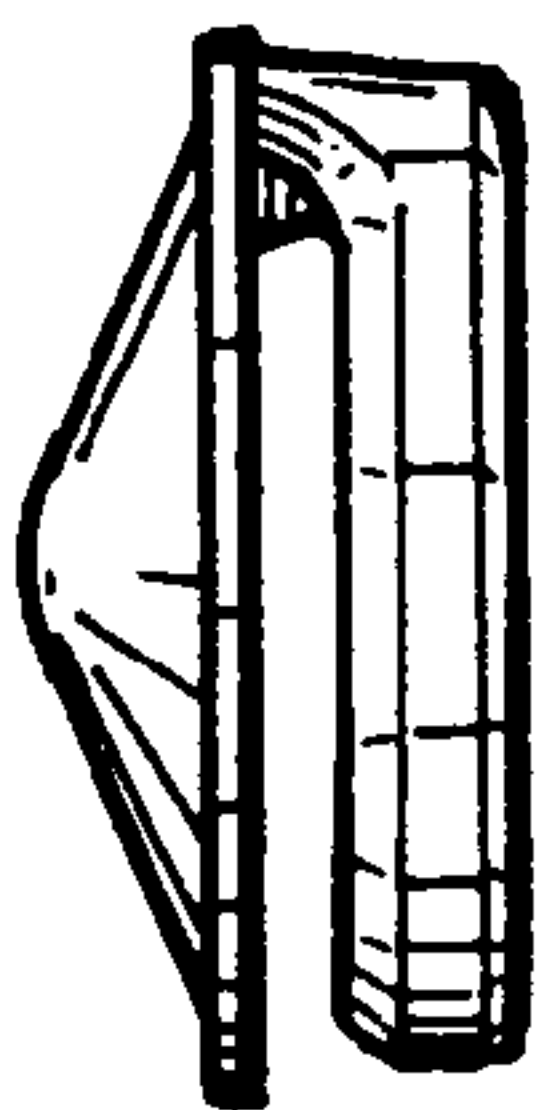


FIG. 6

