



US00D411128S

United States Patent [19]

[11] **Patent Number: Des. 411,128**

Bruce et al.

[45] **Date of Patent: ** Jun. 22, 1999**

[54] **PORTION OF A WATCH HOUSING**

[75] Inventors: **Robert M. Bruce**, San Francisco; **Brett C. Lovelady**, Saratoga; **Kyle N. Swen**, Campbell, all of Calif.

[73] Assignee: **Nike, Inc.**, Beaverton, Oreg.

[**] Term: **14 Years**

[21] Appl. No.: **29/079,638**

[22] Filed: **Dec. 8, 1997**

[51] **LOC (6) Cl. 10-03**

[52] **U.S. Cl. D10/128**

[58] **Field of Search** D10/1-40, 122-132; 368/280-282, 276-277, 28-30, 285, 239-242, 82-84, 41-44

D. 345,926	4/1994	Houlihan .	
D. 352,666	11/1994	Williams .	
D. 359,000	6/1995	Yamamoto .	
D. 360,369	7/1995	Wong et al. .	
D. 363,234	10/1995	Morishima et al. .	
D. 363,235	10/1995	Goto et al. .	
D. 363,882	11/1995	Bodino .	
D. 389,747	1/1998	Ramos	D10/30
D. 398,246	9/1998	Bruce et al.	D10/30
D. 399,433	10/1998	Bruce et al.	D10/30
4,236,239	11/1980	Imgrüth et al. .	

FOREIGN PATENT DOCUMENTS

52-53457	4/1977	Japan .
53-138374	2/1978	Japan .
53-22470	3/1978	Japan .
54-107365	8/1979	Japan .
56-89084	7/1981	Japan .
56-166484	12/1981	Japan .

OTHER PUBLICATIONS

Design—Feb. 1976—p. 34—watch at Bottom-Left.

Primary Examiner—Nelson C. Holtje

Attorney, Agent, or Firm—Klarquist Sparkman Campbell Leigh & Winston, LLP

[56] **References Cited**

U.S. PATENT DOCUMENTS

D. 137,330	2/1944	Washam .	
D. 229,085	11/1973	Lutenegger .	
D. 238,936	2/1976	Miyata .	
D. 259,107	5/1981	Fukumura .	
D. 263,452	3/1982	Wada .	
D. 269,501	6/1983	Sato .	
D. 279,671	7/1985	Stanton .	
D. 283,985	5/1986	Sakamaki .	
D. 297,622	9/1988	Lee .	
D. 299,463	1/1989	Hermann .	
D. 300,210	3/1989	Houlihan .	
D. 309,577	7/1990	Takeichi .	
D. 312,416	11/1990	Braun .	
D. 314,710	2/1991	Weil .	
D. 315,514	3/1991	Weil .	
D. 317,873	7/1991	Woomer .	
D. 318,807	8/1991	Lambert .	
D. 319,401	8/1991	Woomer .	
D. 322,227	12/1991	Warhol .	
D. 327,652	7/1992	Brodmann .	
D. 329,388	9/1992	Takahashi .	
D. 331,707	12/1992	Iwata .	
D. 339,301	9/1993	Morishima .	
D. 339,303	9/1993	Sugita .	
D. 339,748	9/1993	Choi .	
D. 339,989	10/1993	Parsons	D10/30
D. 340,651	10/1993	Lassigne .	

[57] **CLAIM**

The ornamental design for a portion of a watch housing, as shown and described.

DESCRIPTION

FIG. 1 is a perspective view of a portion of a watch housing in accordance with our invention;

FIG. 2 is a front view of the portion of a watch housing of FIG. 1;

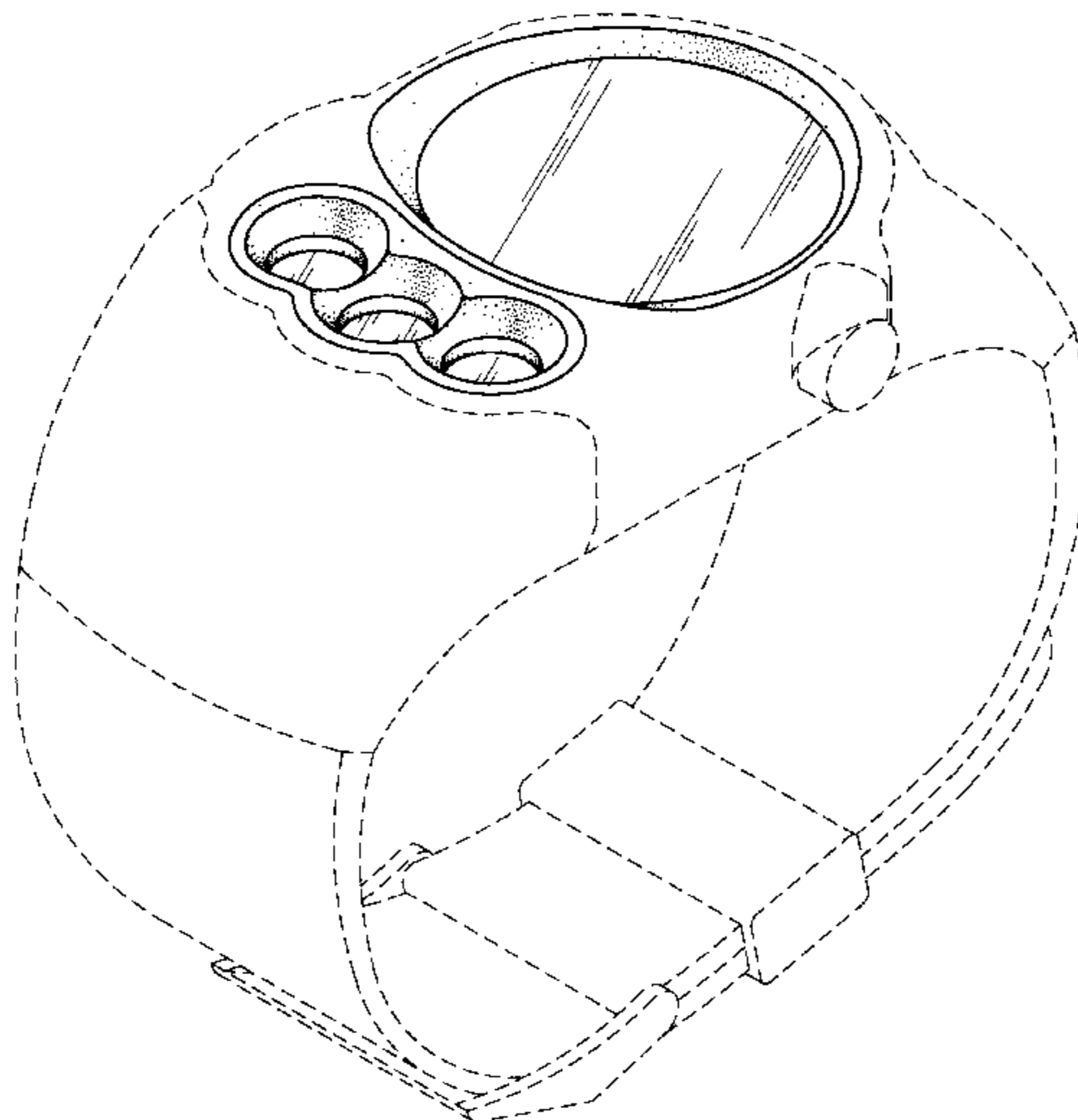
FIG. 3 is a left side view of the portion of a watch housing of FIG. 1;

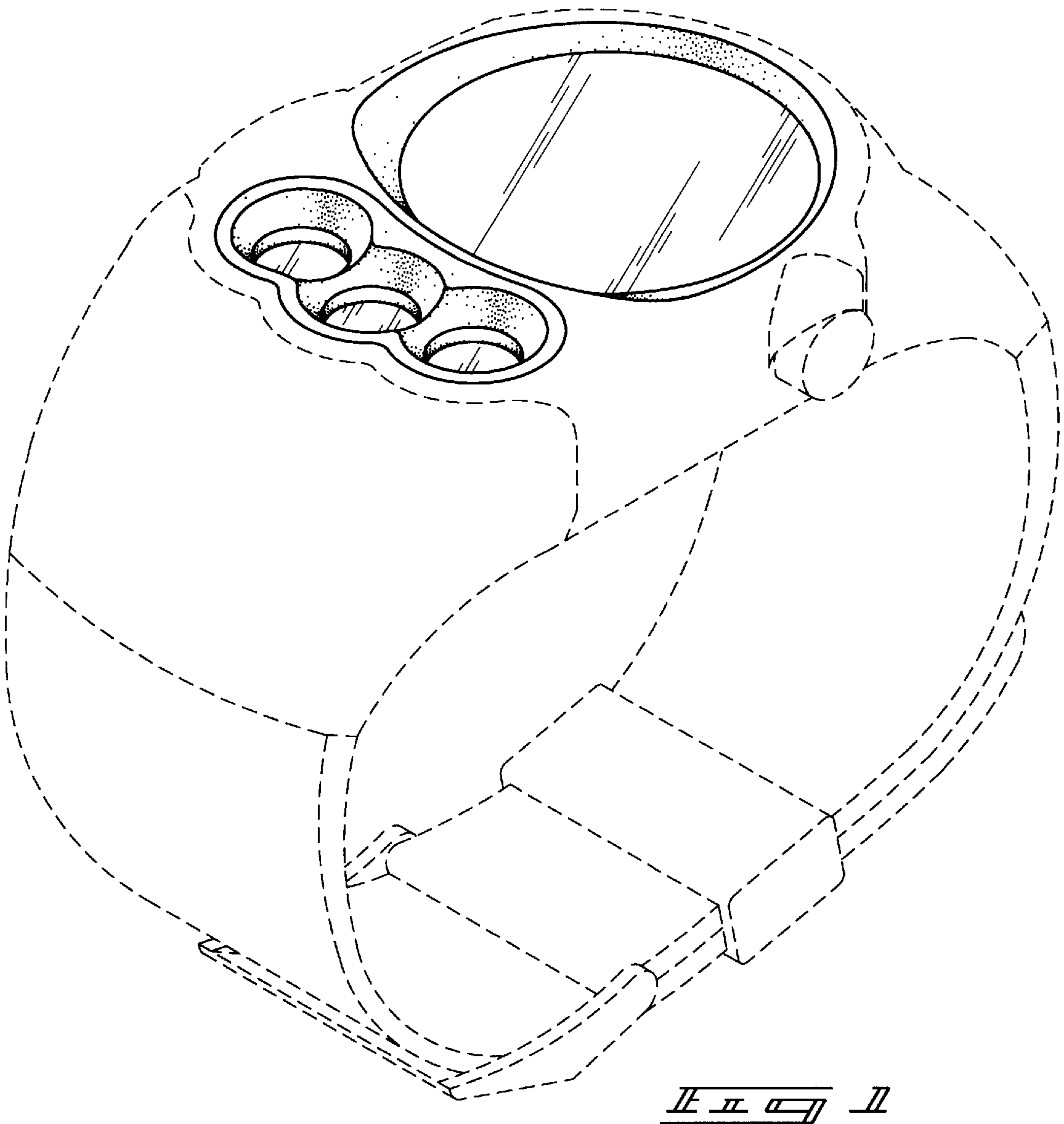
FIG. 4 is a top view of the portion of a watch housing of FIG. 1; and,

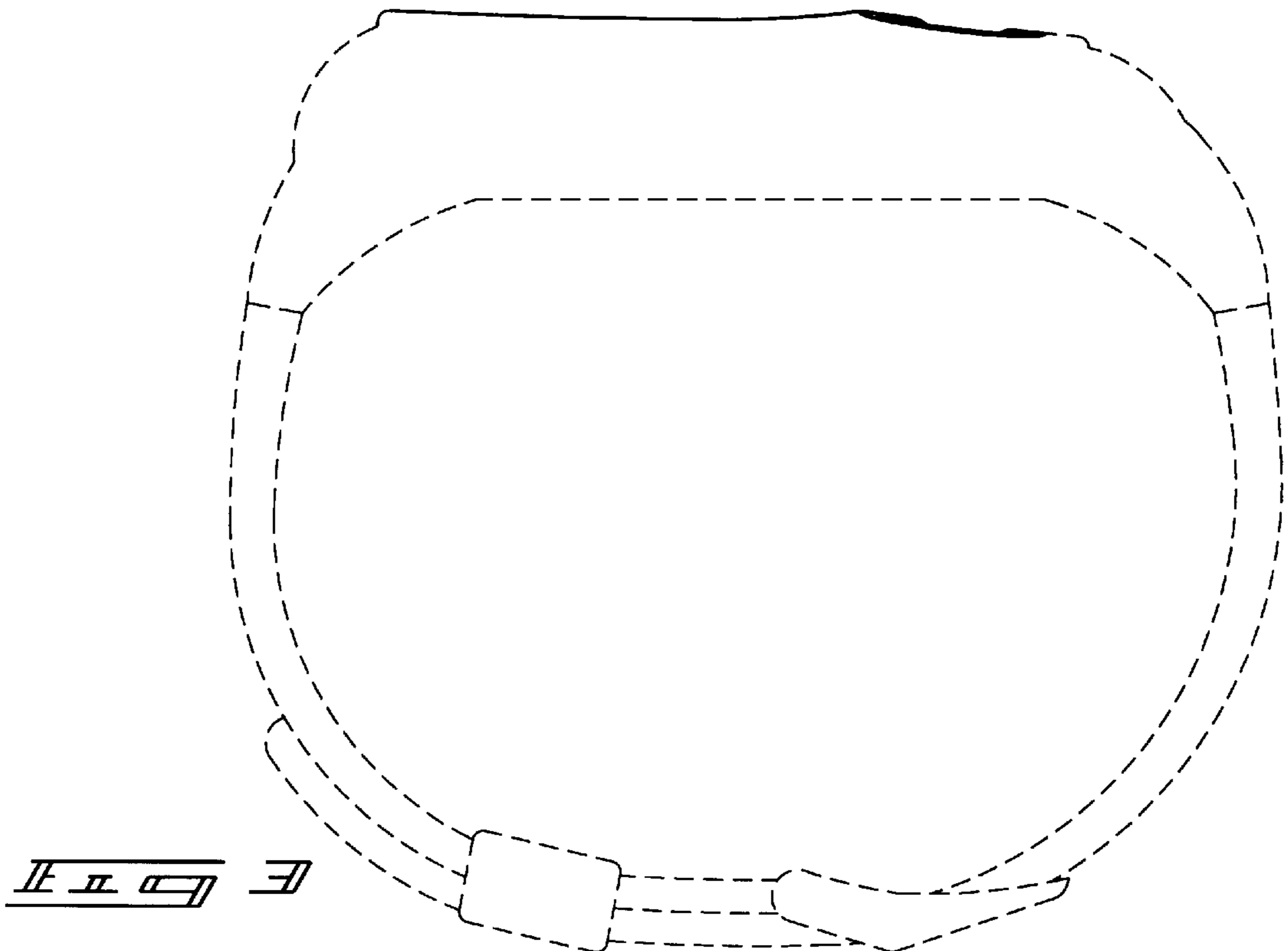
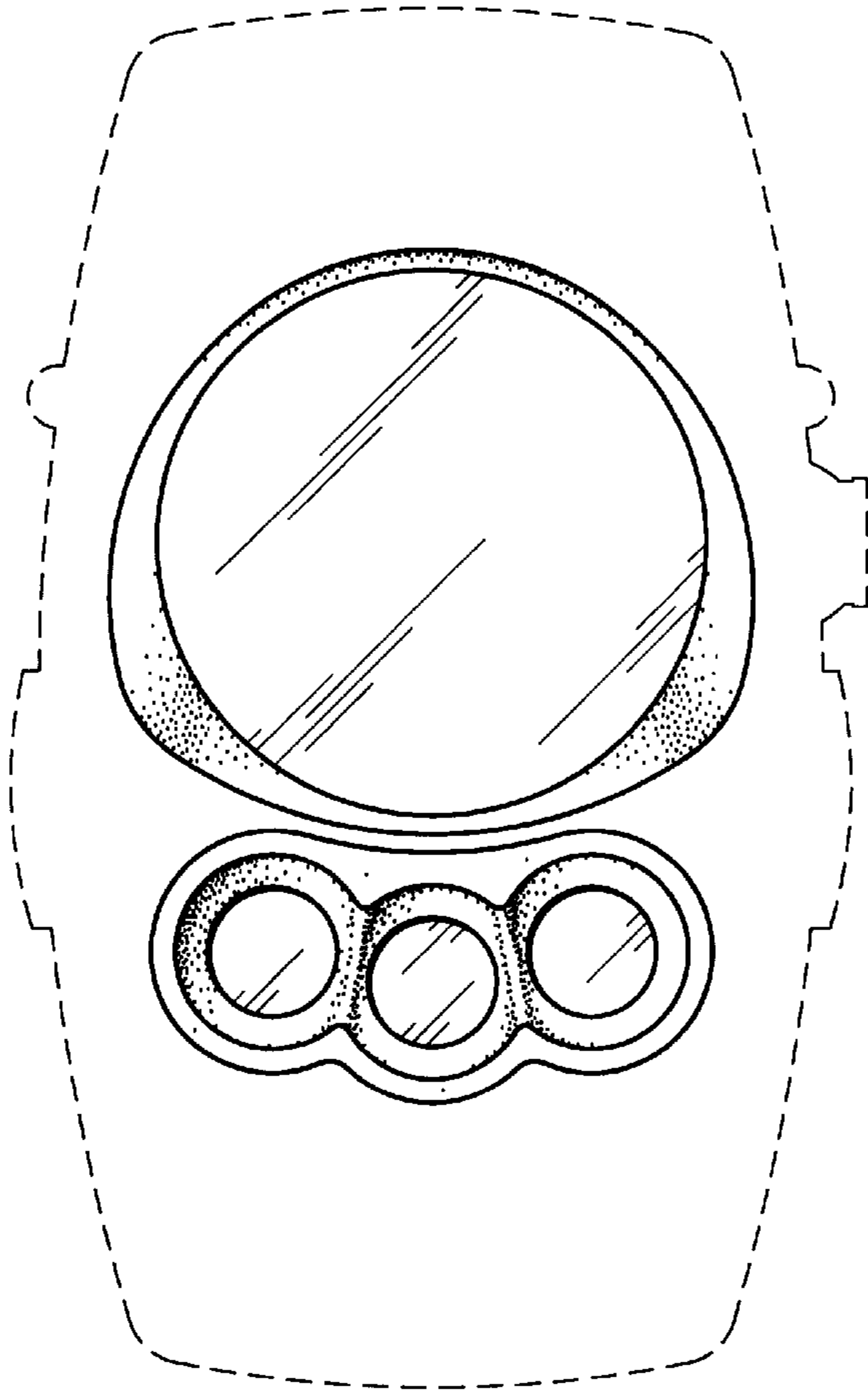
FIG. 5 is a bottom view of the portion of a watch housing of FIG. 1.

The broken lines show the watch band and remainder of the watch housing for illustrative purposes only and form no part of the claimed design.

1 Claim, 3 Drawing Sheets







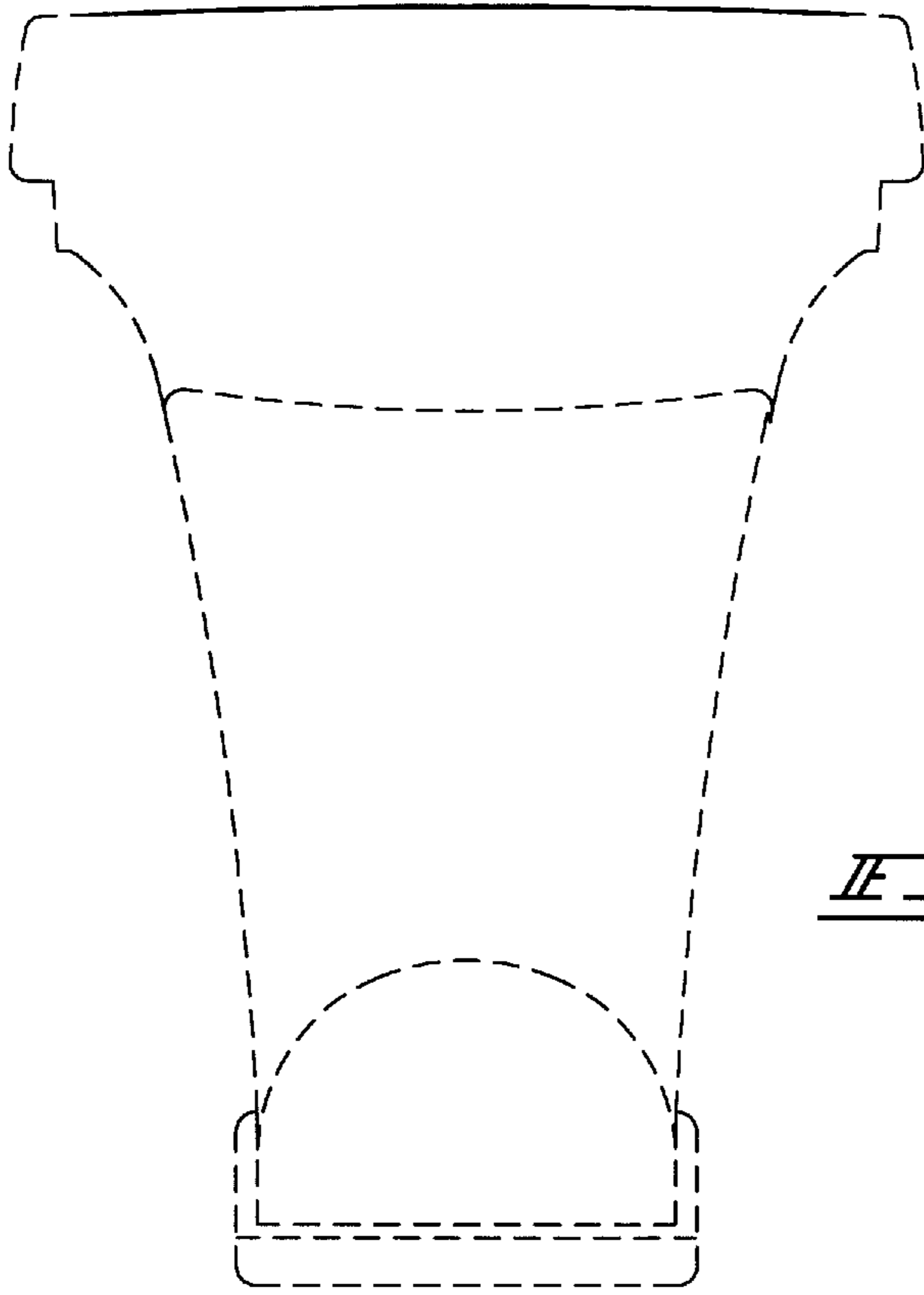


Fig. 4

Fig. 5

