



US00D411127S

United States Patent [19] Kuwabara

[11] **Patent Number: Des. 411,127**

[45] **Date of Patent: ** Jun. 22, 1999**

[54] **AUDIBLE SOUND GENERATOR**

[75] Inventor: **Atsushi Kuwabara**, Fujiyoshida, Japan

[73] Assignee: **Citizen Electronics Co., Ltd.**,
Yamanashi-ken, Japan

[**] Term: **14 Years**

[21] Appl. No.: **29/093,035**

[22] Filed: **Sep. 1, 1998**

[30] **Foreign Application Priority Data**

Mar. 2, 1998	[JP]	Japan	10-5864
Mar. 3, 1998	[JP]	Japan	10-8299
Apr. 13, 1998	[JP]	Japan	10-10493

[51] **LOC (6) Cl.** **10-05**

[52] **U.S. Cl.** **D10/116**

[58] **Field of Search** D10/104, 106,
D10/116, 121; D13/152, 156; 340/384.1,
384.3, 384.7, 388.1, 390.1, 391.1, 392.2,
392.4

[56] **References Cited**

U.S. PATENT DOCUMENTS

D. 339,544 9/1993 Sone D10/106

D. 371,312	7/1996	Suzuki	D10/106
D. 378,746	4/1997	Imahori	D10/116
D. 389,765	1/1998	Imahori	D10/116

Primary Examiner—Marcus A. Jackson
Attorney, Agent, or Firm—Browdy and Neimark

[57] **CLAIM**

The ornamental design for a audible sound generator, as shown and described.

DESCRIPTION

FIG. 1 is a perspective view of an audible sound generator according to this application.

FIG. 2 is a front view of an audible sound generator to this application.

FIG. 3 is a plan view of an audible sound generator to this application.

FIG. 4 is a base plan view of an audible sound generator according to this application.

FIG. 5 is a right side view of an audible sound generator according to this application.

FIG. 6 is a left side view of an audible sound generator according to this application; and,

FIG. 7 is a back side view of an audible sound generator according to this application.

1 Claim, 3 Drawing Sheets

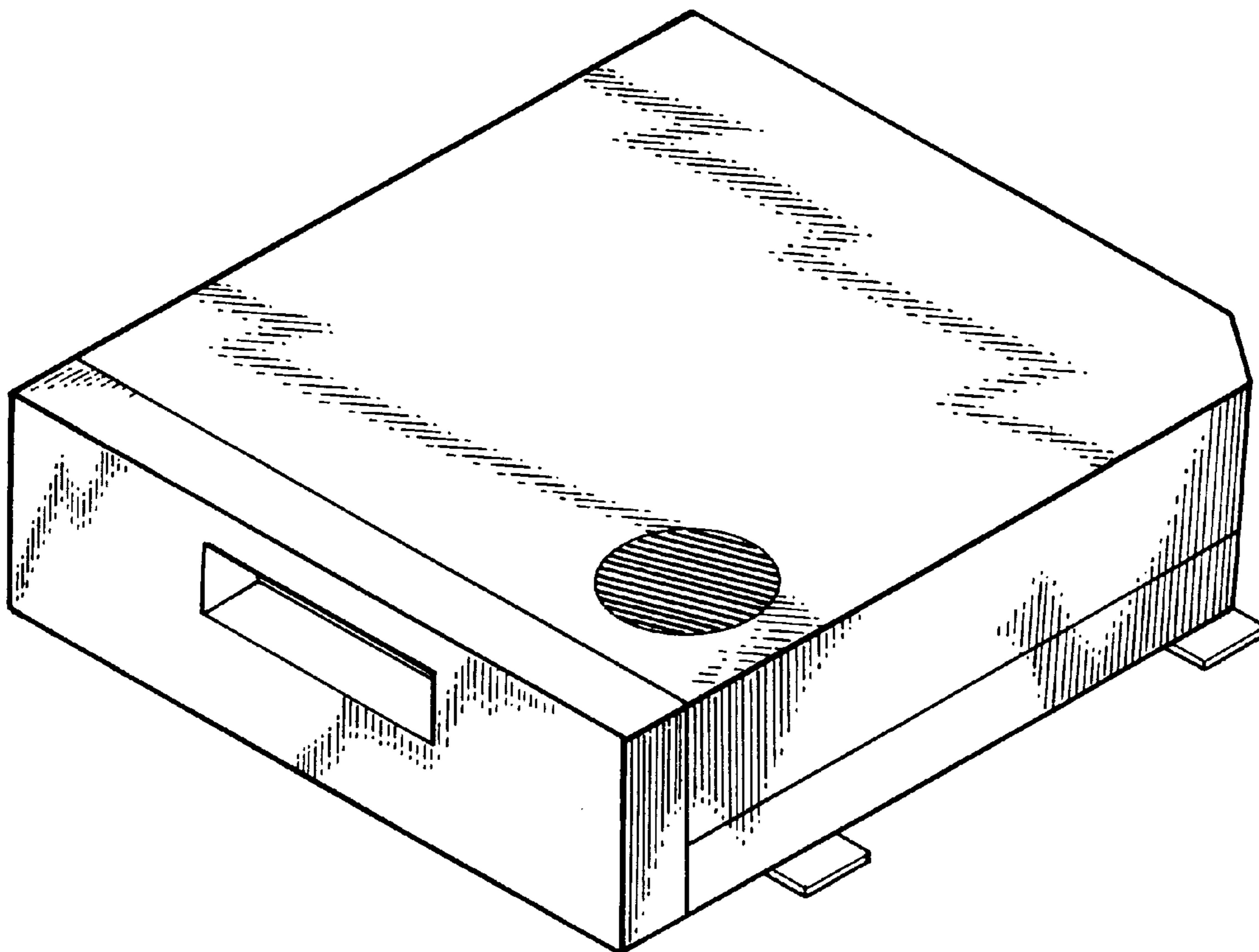


Fig. 1

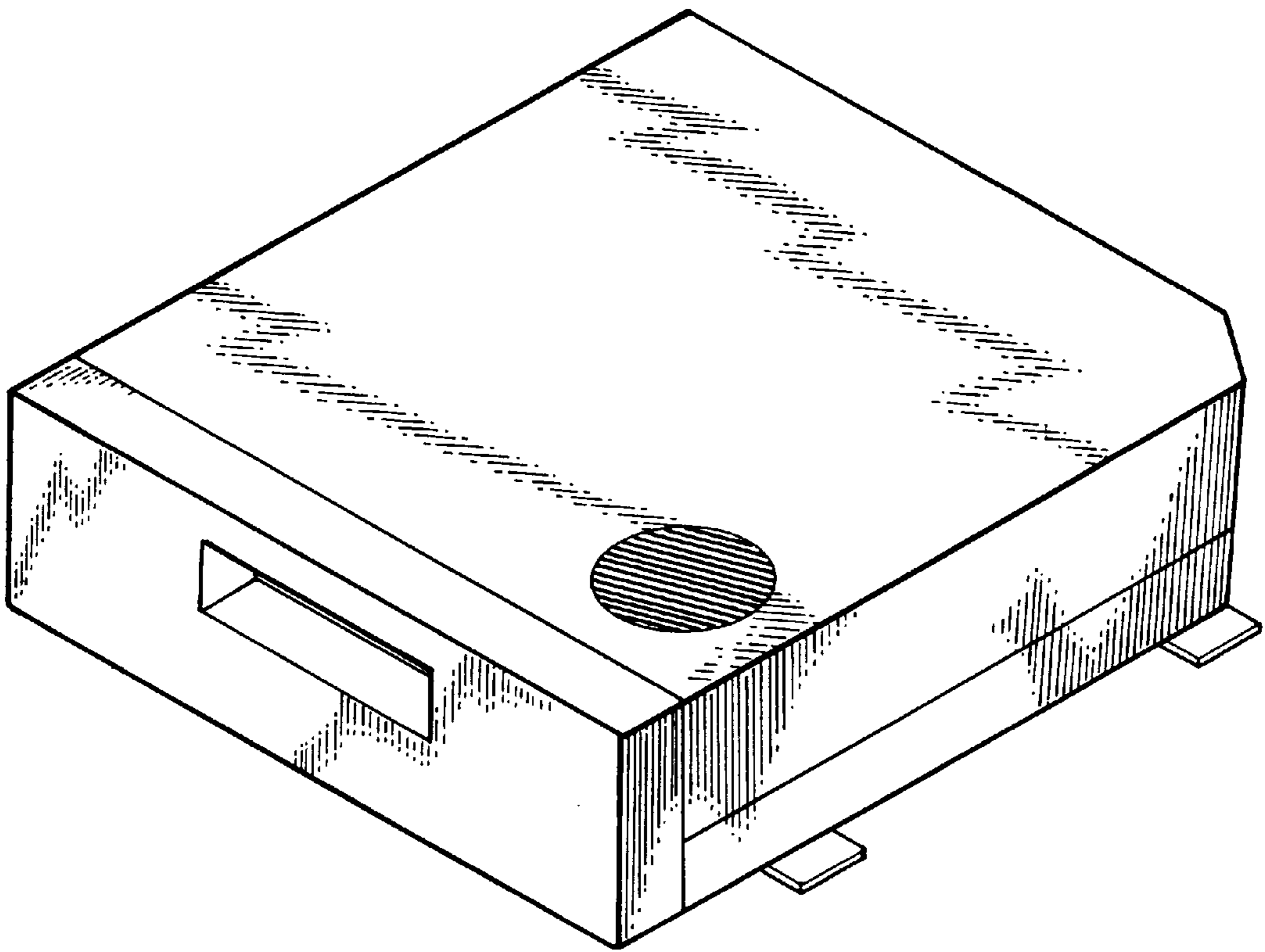


Fig. 3

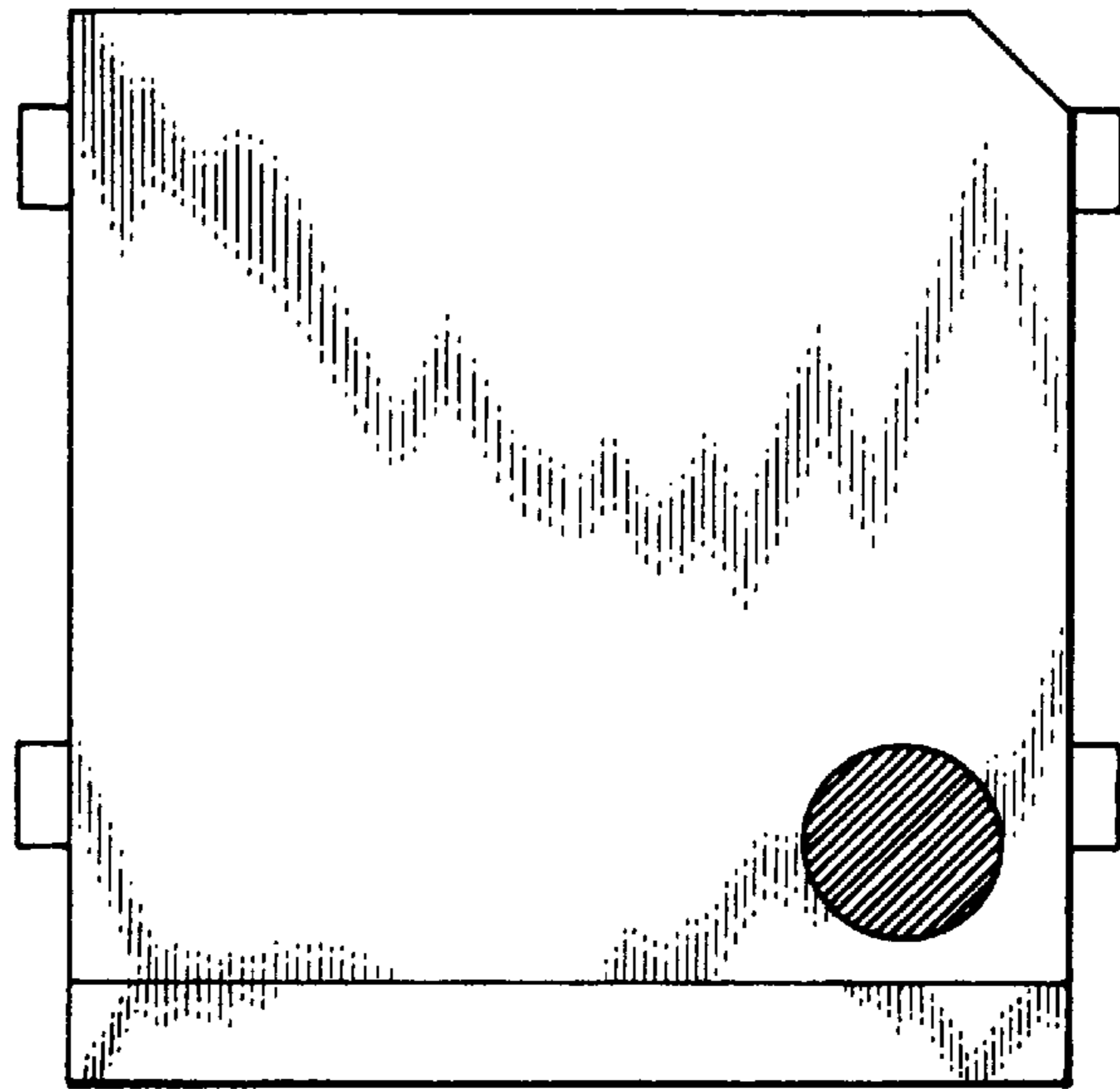


Fig. 2

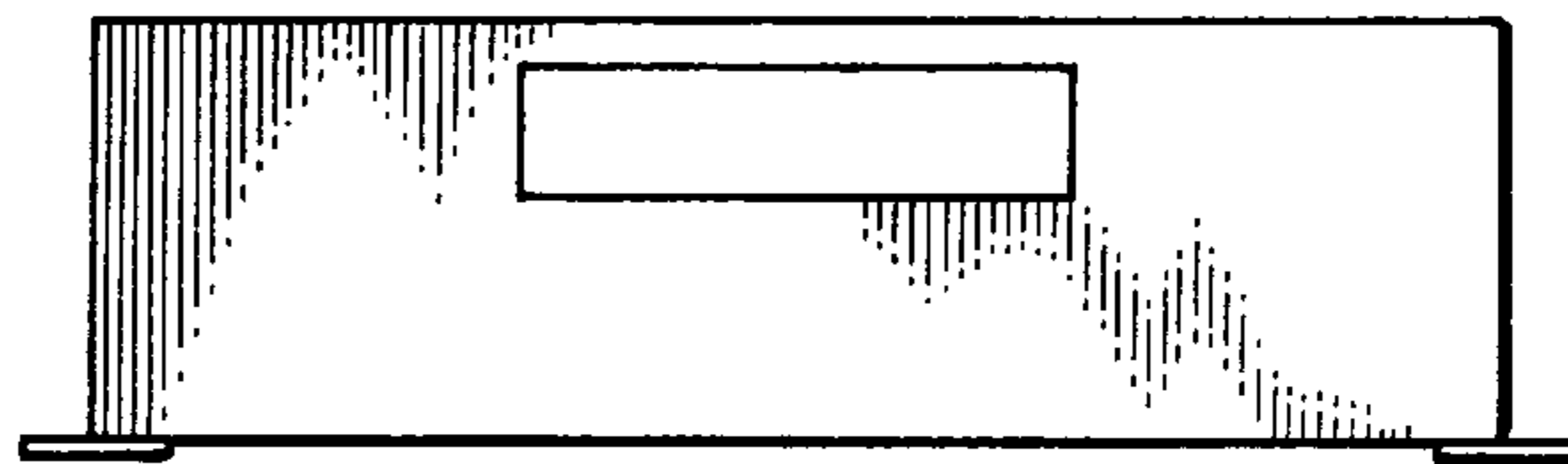


Fig. 4

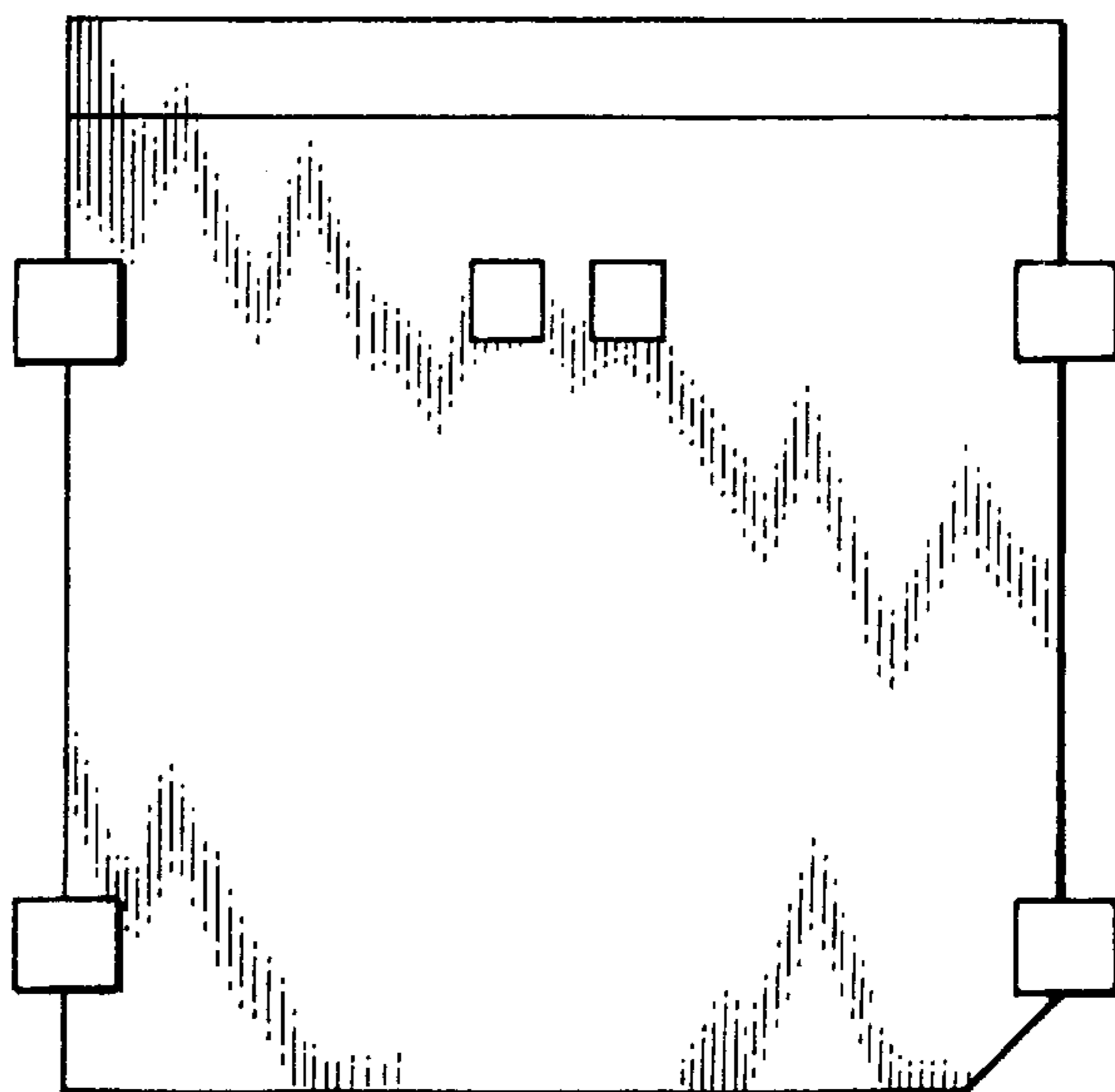


Fig. 5

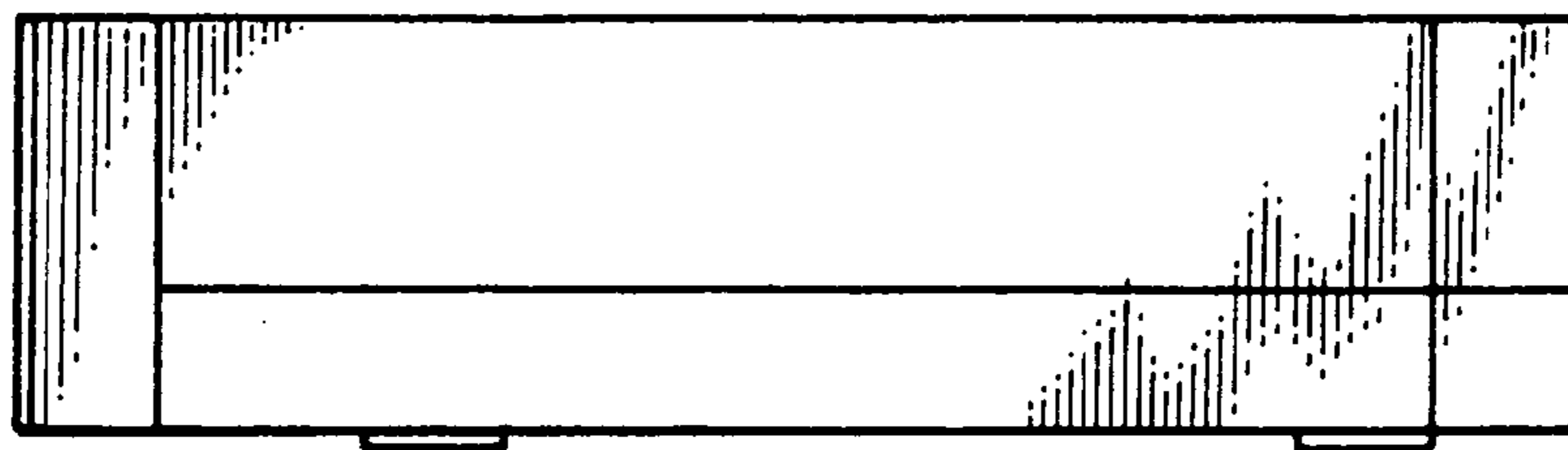


Fig. 6

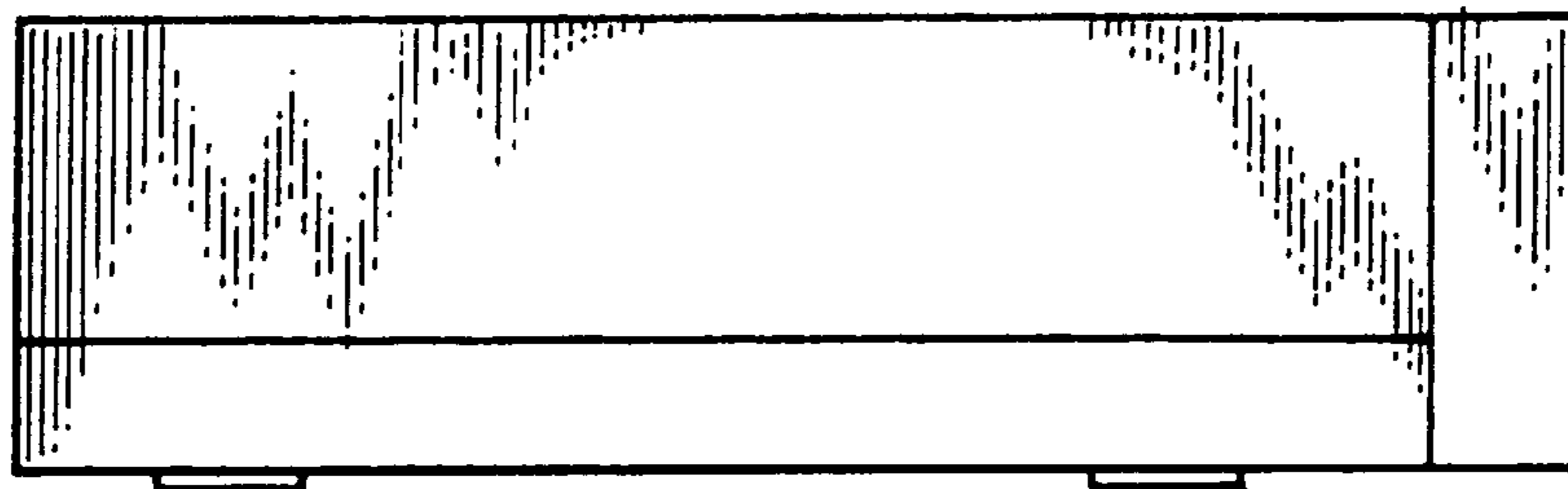


Fig. 7

