



US00D411126S

United States Patent [19] Imahori

[11] Patent Number: Des. 411,126

[45] Date of Patent: ** Jun. 22, 1999

[54] AUDIBLE SIGNAL FOR AN ALARM UNIT

D. 405,022 2/1999 Imahori D10/116

[75] Inventor: Yoshio Imahori, Shizuoka, Japan

Primary Examiner—Marcus A. Jackson
Attorney, Agent, or Firm—Pollock, Vande Sande & Amernick

[73] Assignee: Star Micronics Co., Ltd., Shizuoka, Japan

[**] Term: 14 Years

[57] CLAIM

[21] Appl. No.: 29/088,071

The ornamental design for an audible signal for an alarm unit described.

[22] Filed: Jan. 21, 1998

DESCRIPTION

[30] Foreign Application Priority Data

Jul. 29, 1997 [JP] Japan 9-63211

FIG. 1 is a perspective view of an audible signal for an alarm unit showing my new design;

[51] LOC (6) Cl. 10-05

FIG. 2 is a front elevational view thereof;

[52] U.S. Cl. D10/116

FIG. 3 is a rear elevational view thereof;

[58] Field of Search D10/104, 106, D10/116, 121; 340/384.1, 384.3, 384.7, 388.1, 390.1, 391.1, 392.1, 392.2, 392.4

FIG. 4 is a top plan view thereof;

FIG. 5 is a bottom plan view thereof;

FIG. 6 is left side elevational view thereof (of which a right side elevational view would be mirror image); and,

[56] References Cited

FIG. 7 is a cross-sectional view thereof taken on line 7—7 of FIG. 2, an internal mechanism of which is not shown.

U.S. PATENT DOCUMENTS

D. 401,881 12/1998 Sone et al. D10/116

1 Claim, 4 Drawing Sheets

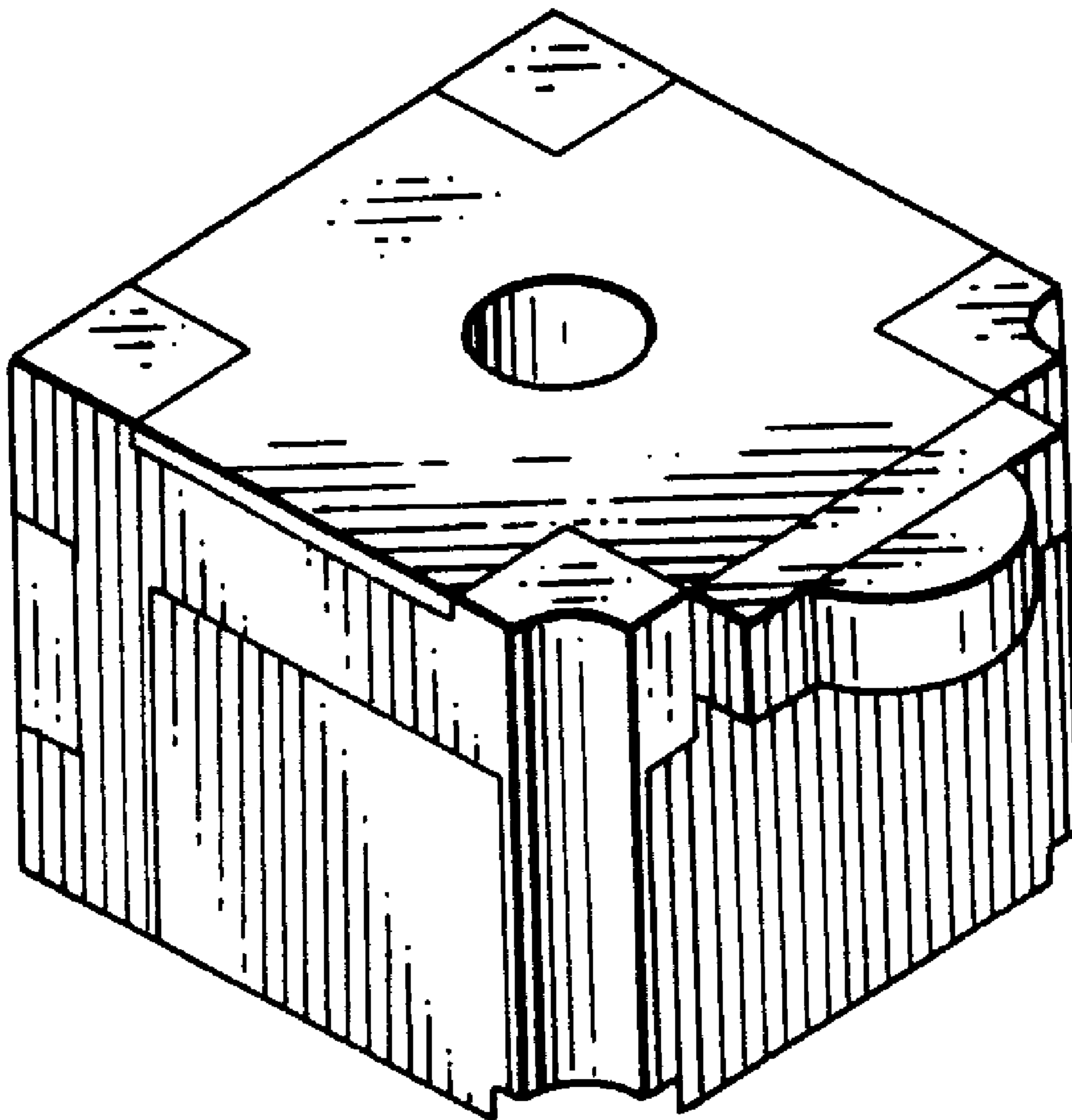


FIG. 1

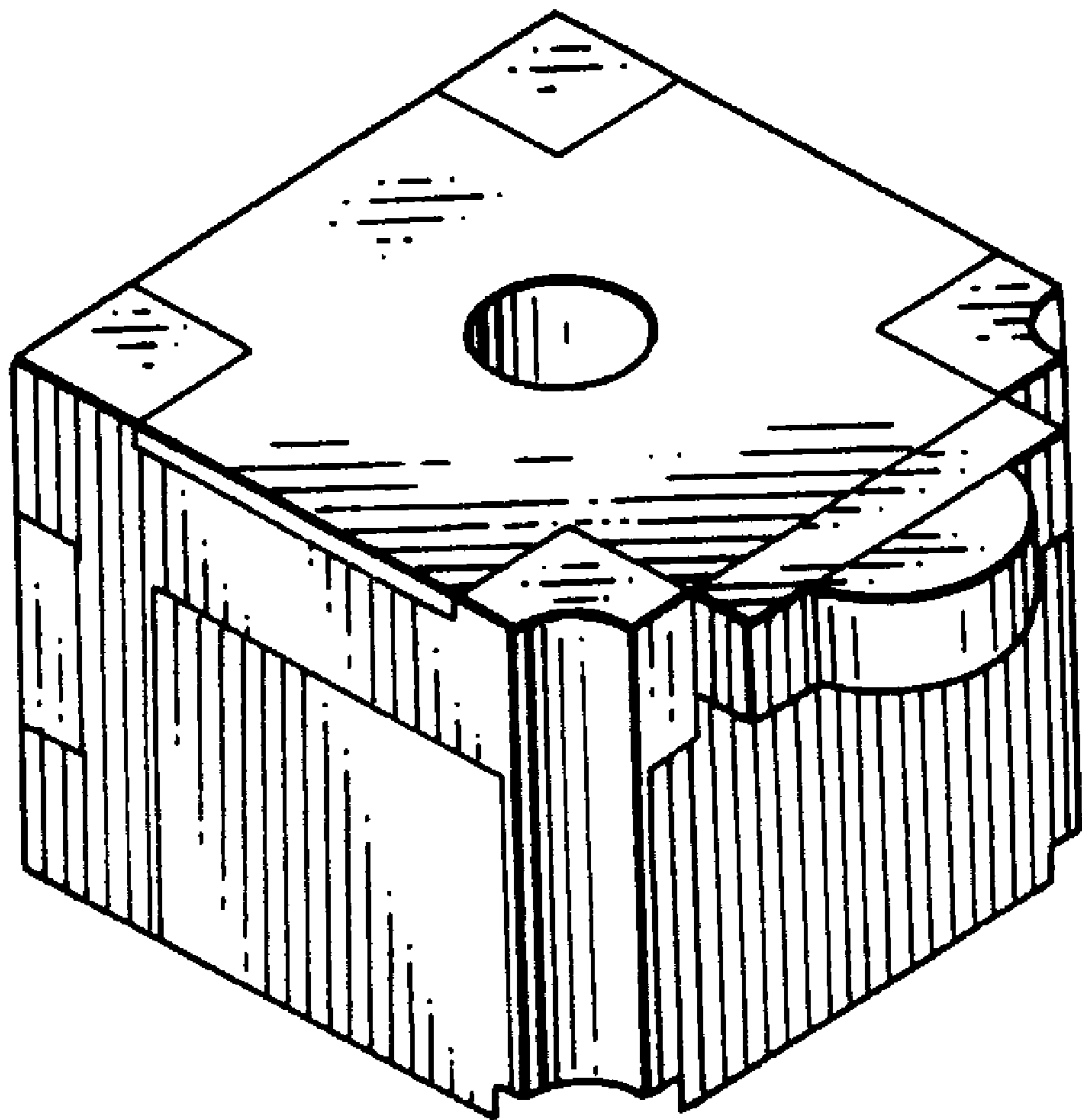


FIG. 2

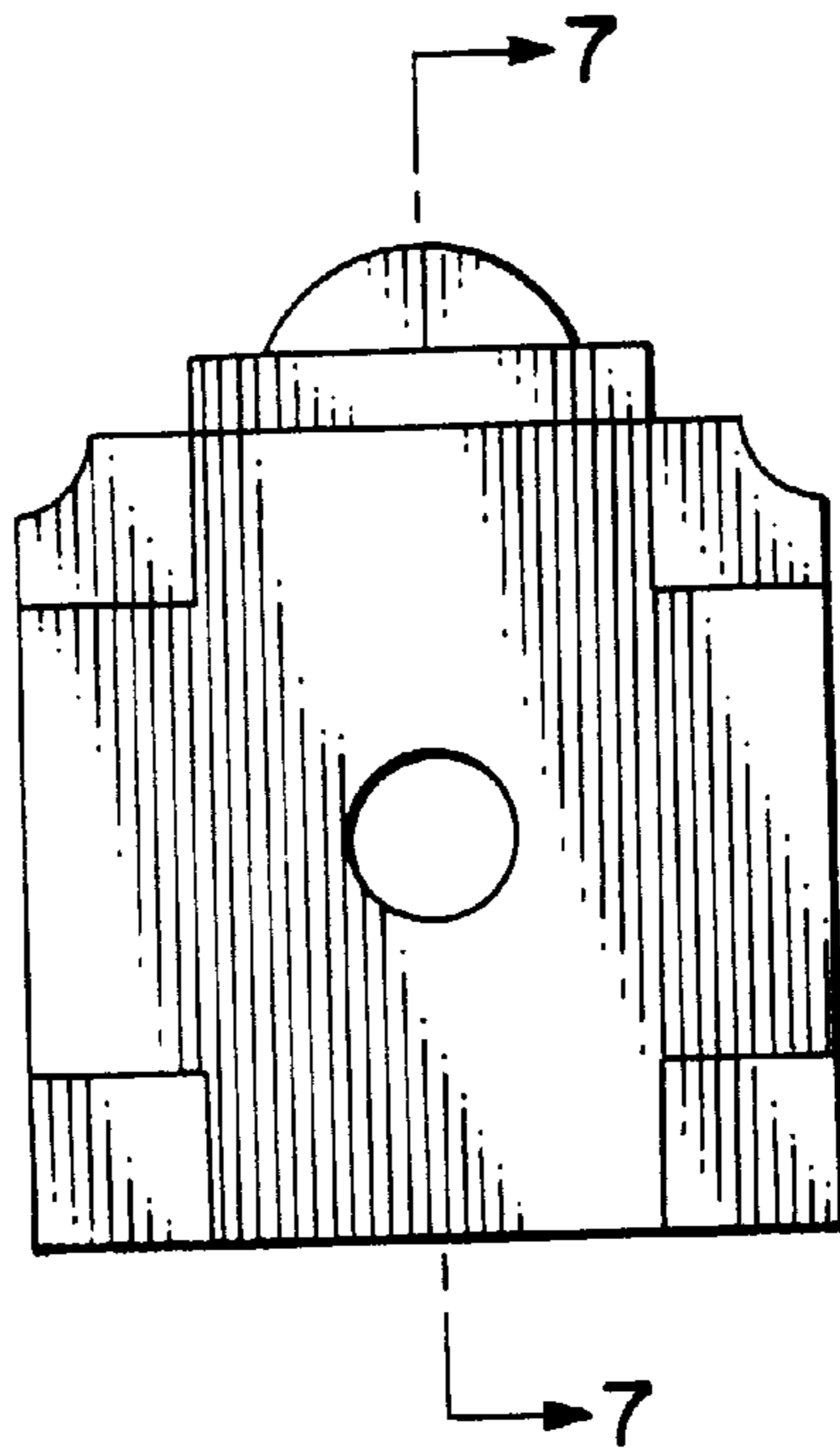


FIG. 3

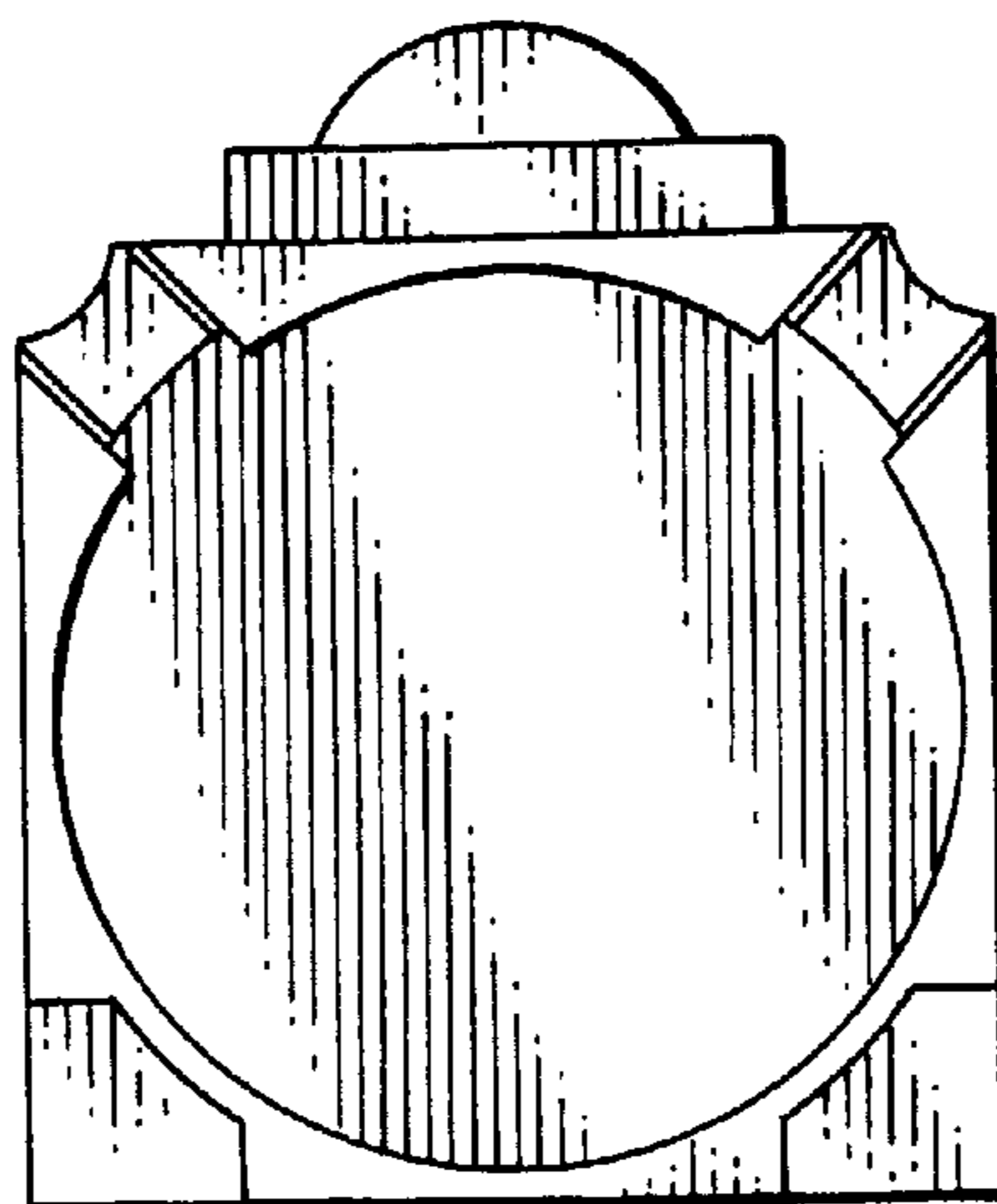


FIG. 4

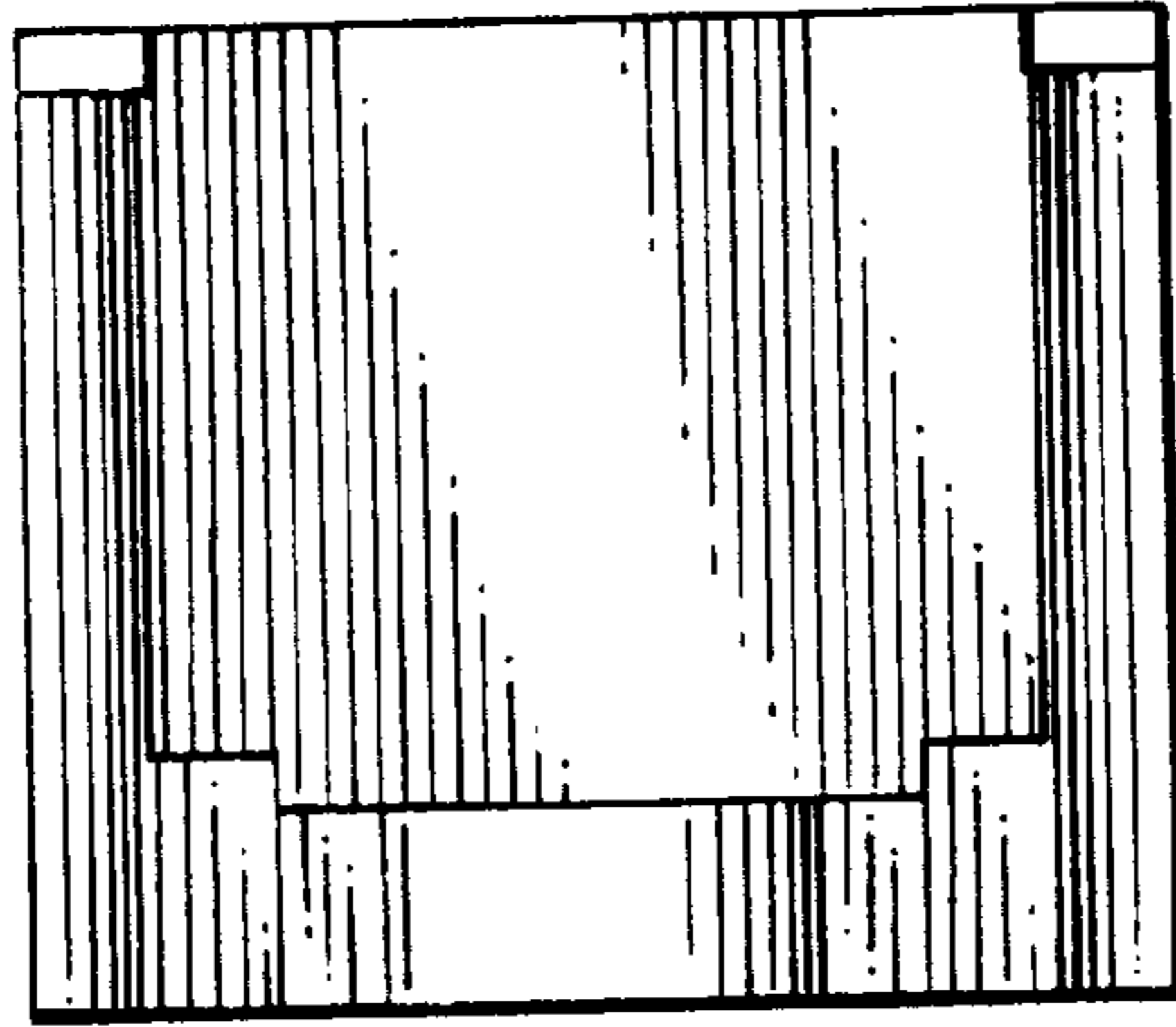


FIG. 5

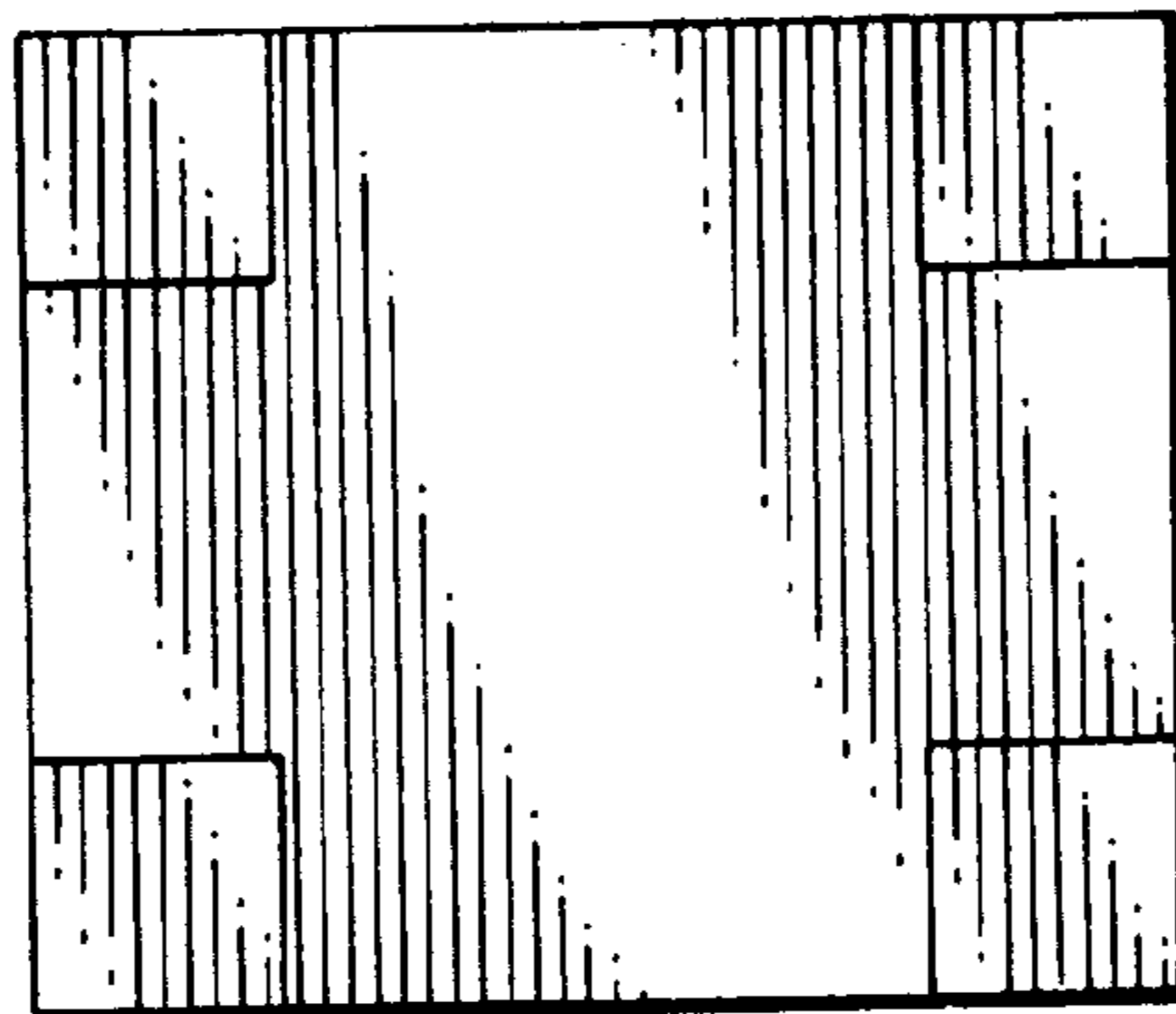


FIG. 6

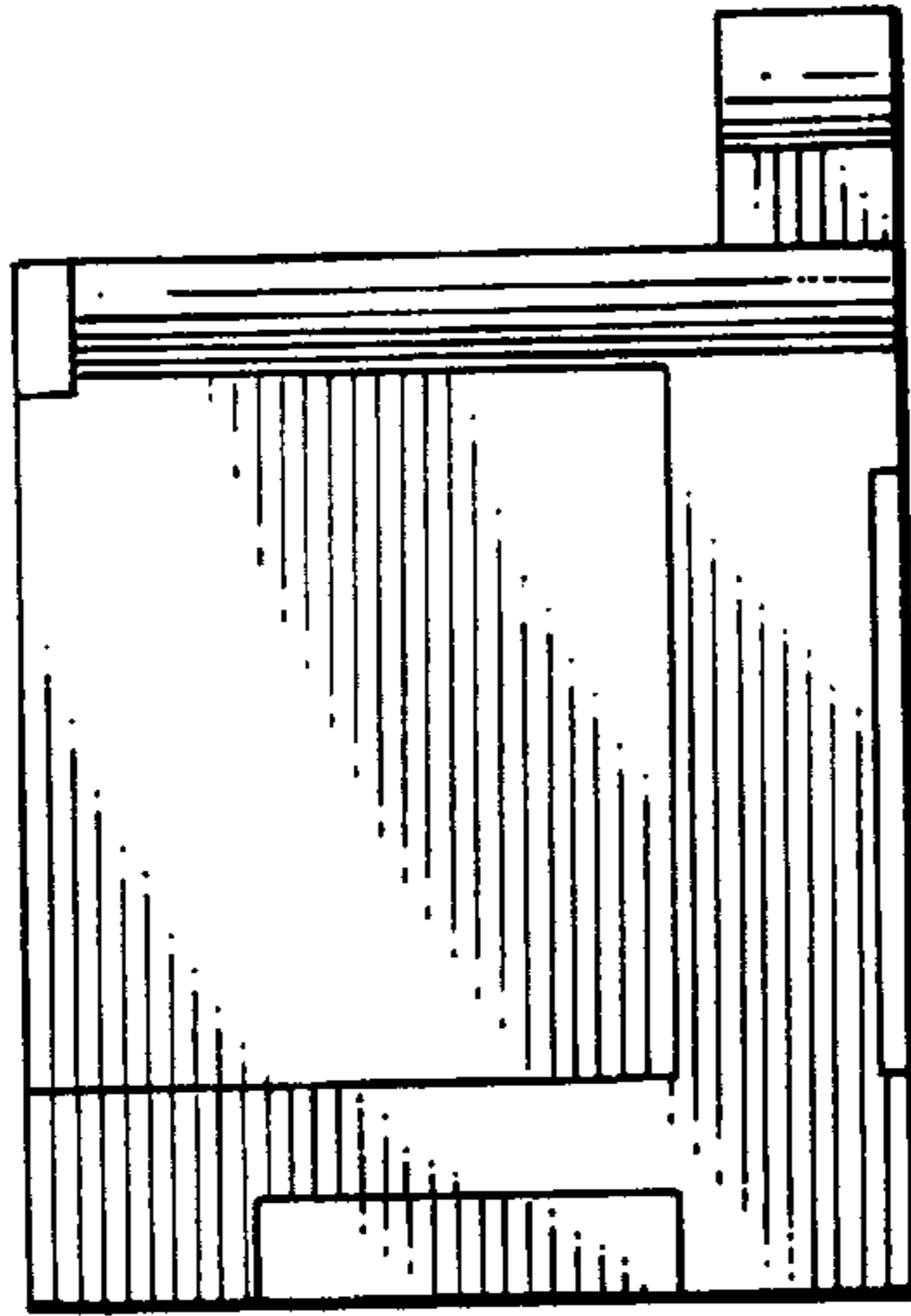


FIG. 7

