



US00D411123S

# United States Patent [19] Fan

[11] Patent Number: **Des. 411,123**

[45] Date of Patent: **\*\* Jun. 22, 1999**

[54] **MAGNETIC POSITION SENSOR**

D. 401,524 11/1998 Hormann ..... D10/104

[76] Inventor: **Kuan-Yun Fan**, 18310 Bedford Cir.,  
Industry, Calif. 91744-5971

*Primary Examiner*—Marcus A. Jackson  
*Attorney, Agent, or Firm*—David and Raymond; Raymond  
Y. Chan

[\*\*] Term: **14 Years**

### [57] CLAIM

[21] Appl. No.: **29/095,495**

The ornamental design for a magnetic position sensor, as shown.

[22] Filed: **Oct. 23, 1998**

### DESCRIPTION

[51] **LOC (6) Cl.** ..... **10-05**

[52] **U.S. Cl.** ..... **D10/104**

[58] **Field of Search** ..... D10/104, 106,  
D10/116, 121; 340/425.5, 988, 989, 991,  
992, 993, 994

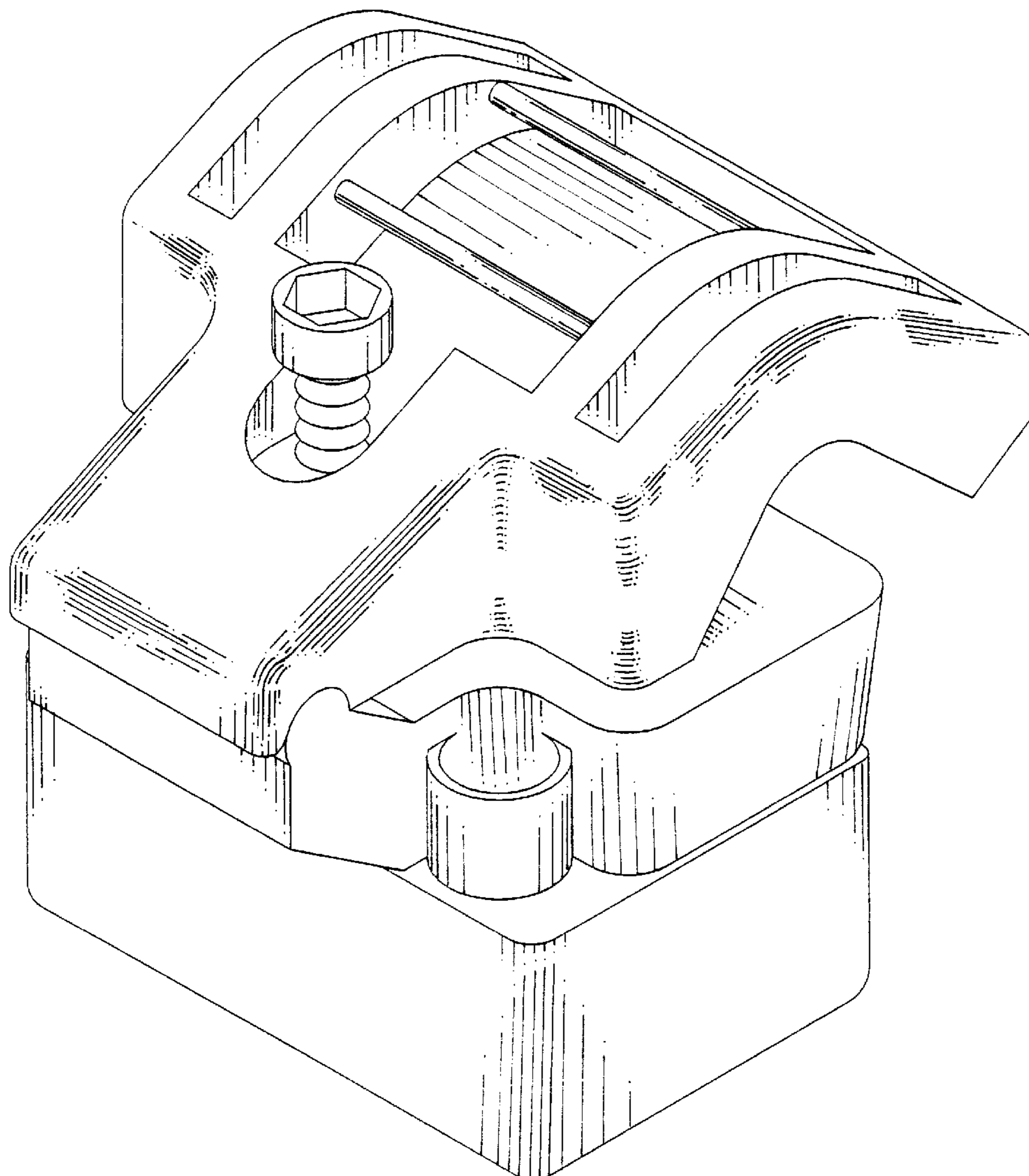
FIG. 1 is a perspective view showing my new design.  
FIG. 2 is a front view thereof.  
FIG. 3 is a rear view thereof.  
FIG. 4 is a left end view thereof.  
FIG. 5 is a right end view thereof.  
FIG. 6 is a top view thereof; and,  
FIG. 7 is a bottom view thereof.

### [56] References Cited

#### U.S. PATENT DOCUMENTS

- D. 367,825 3/1996 Webb et al. .... D10/104
- D. 391,182 2/1998 Schneider et al. .... D10/104

**1 Claim, 4 Drawing Sheets**



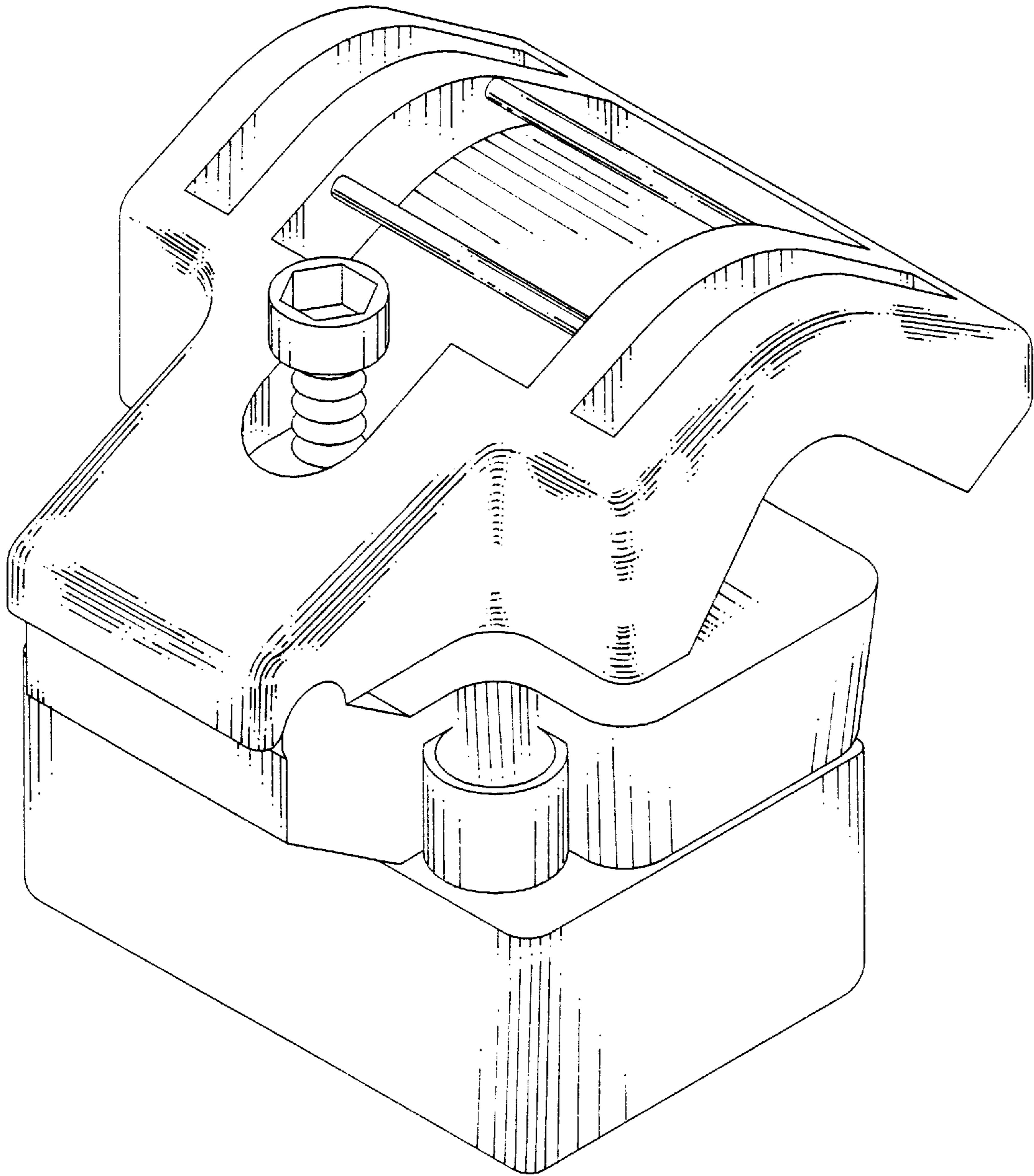


FIG. 1

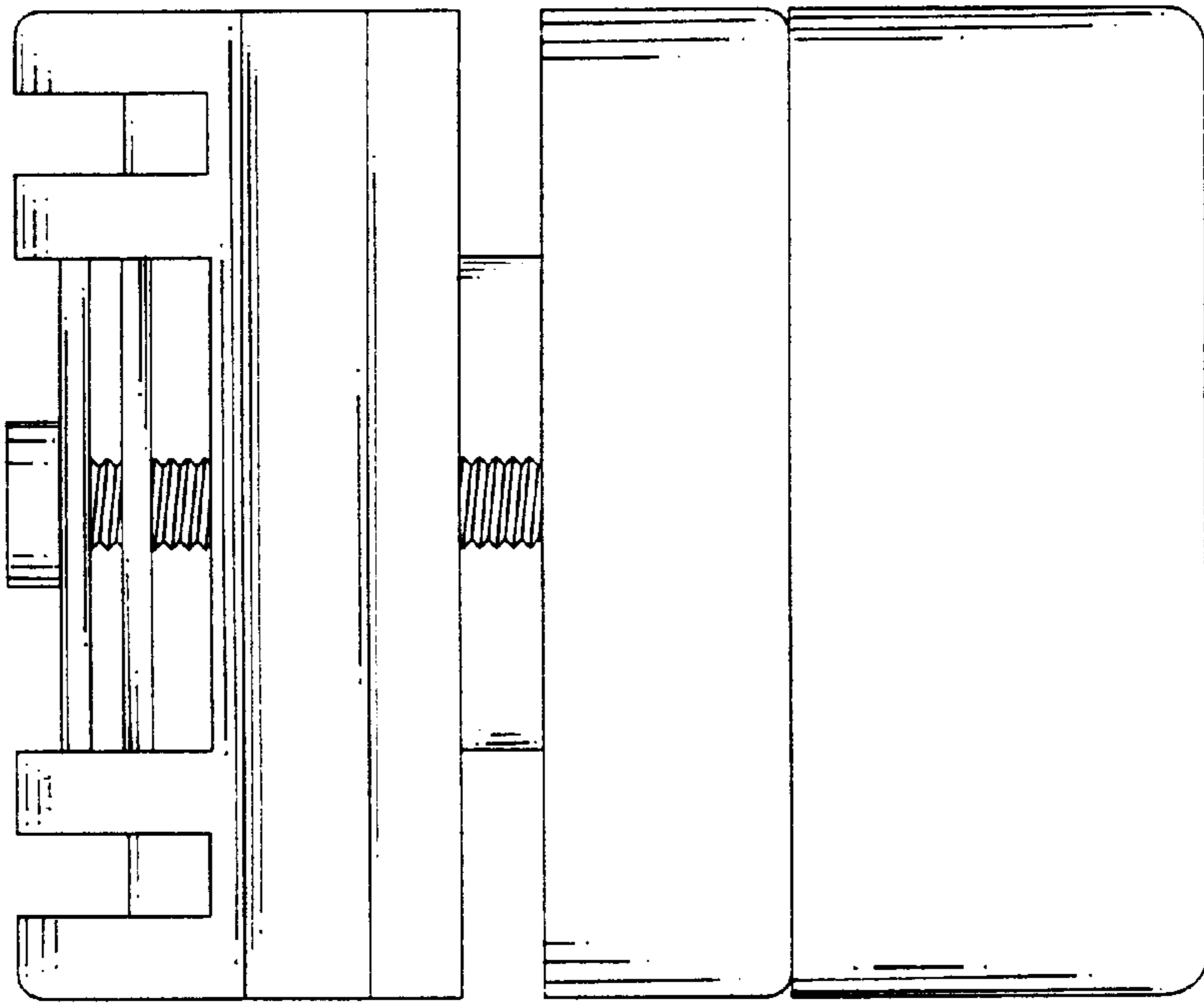


FIG. 3

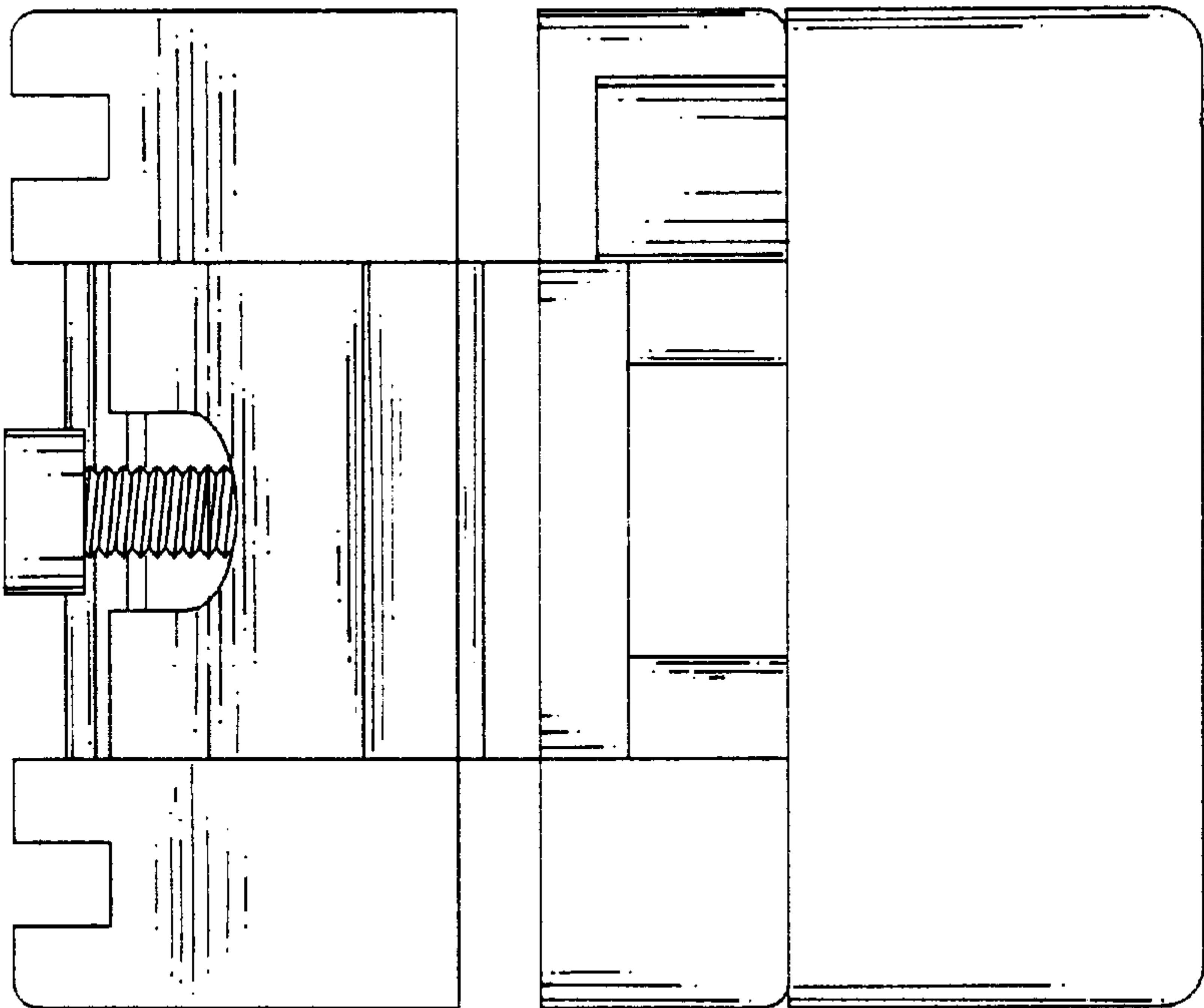


FIG. 2

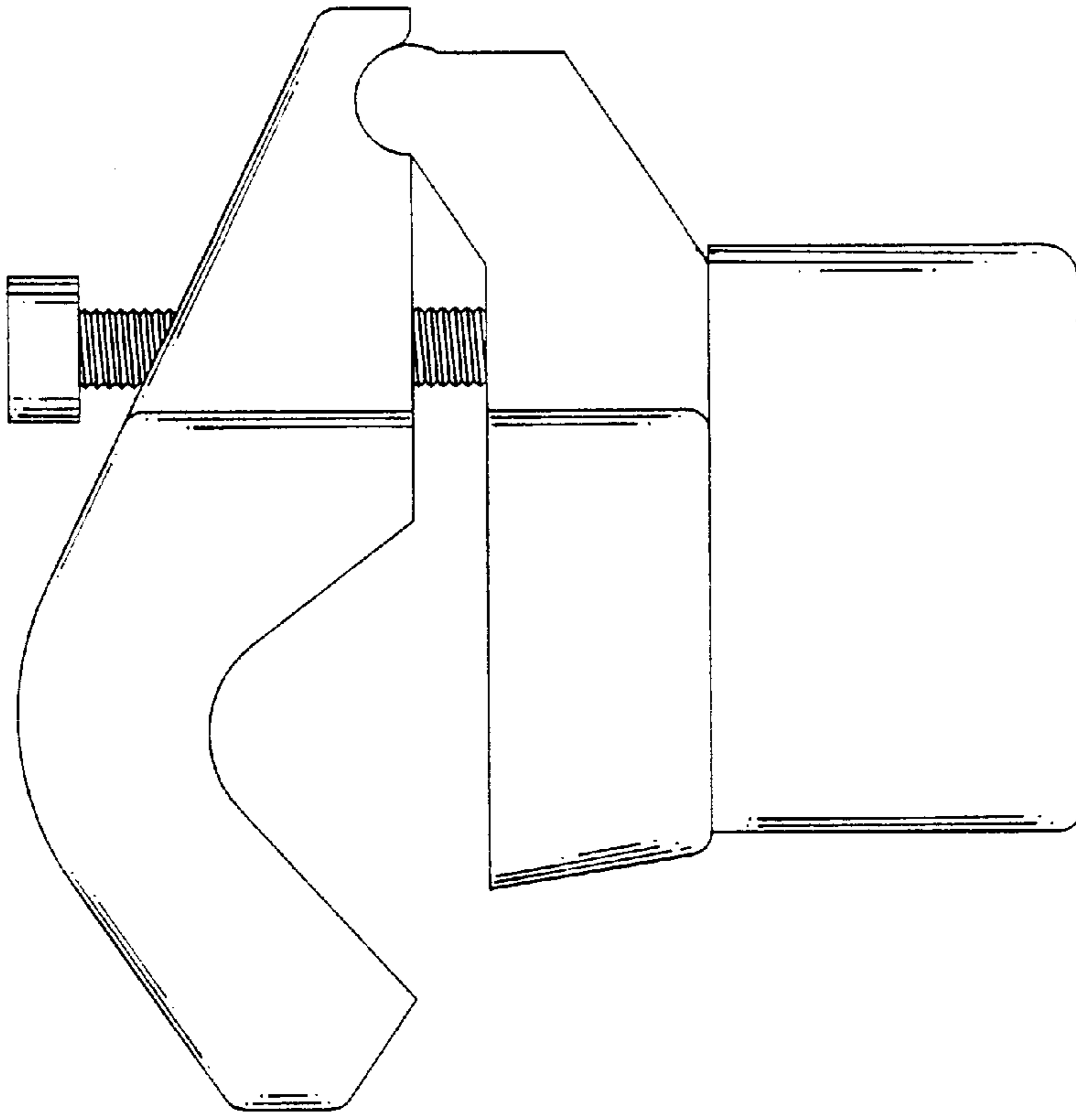


FIG. 4

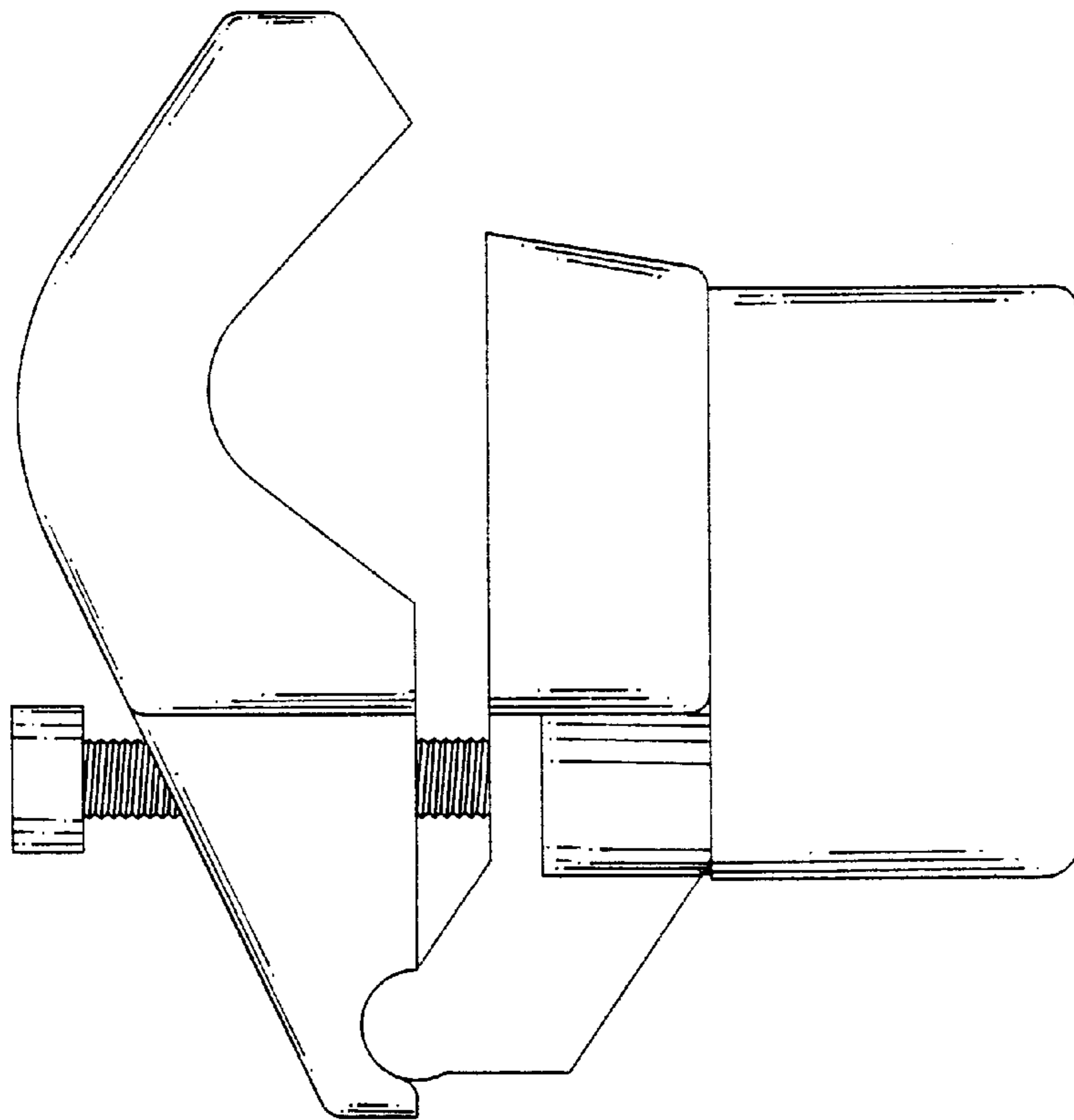


FIG. 5

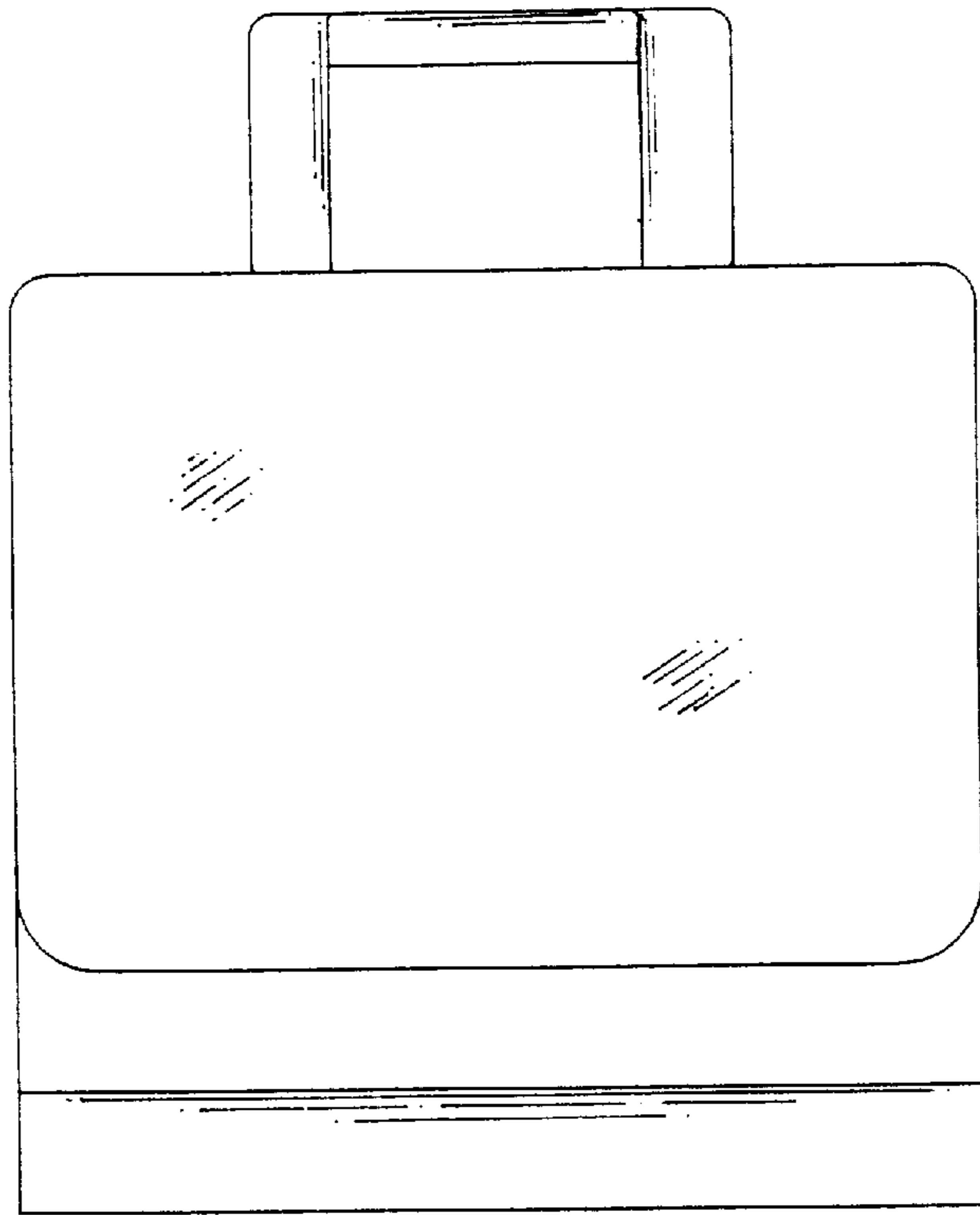


FIG. 7

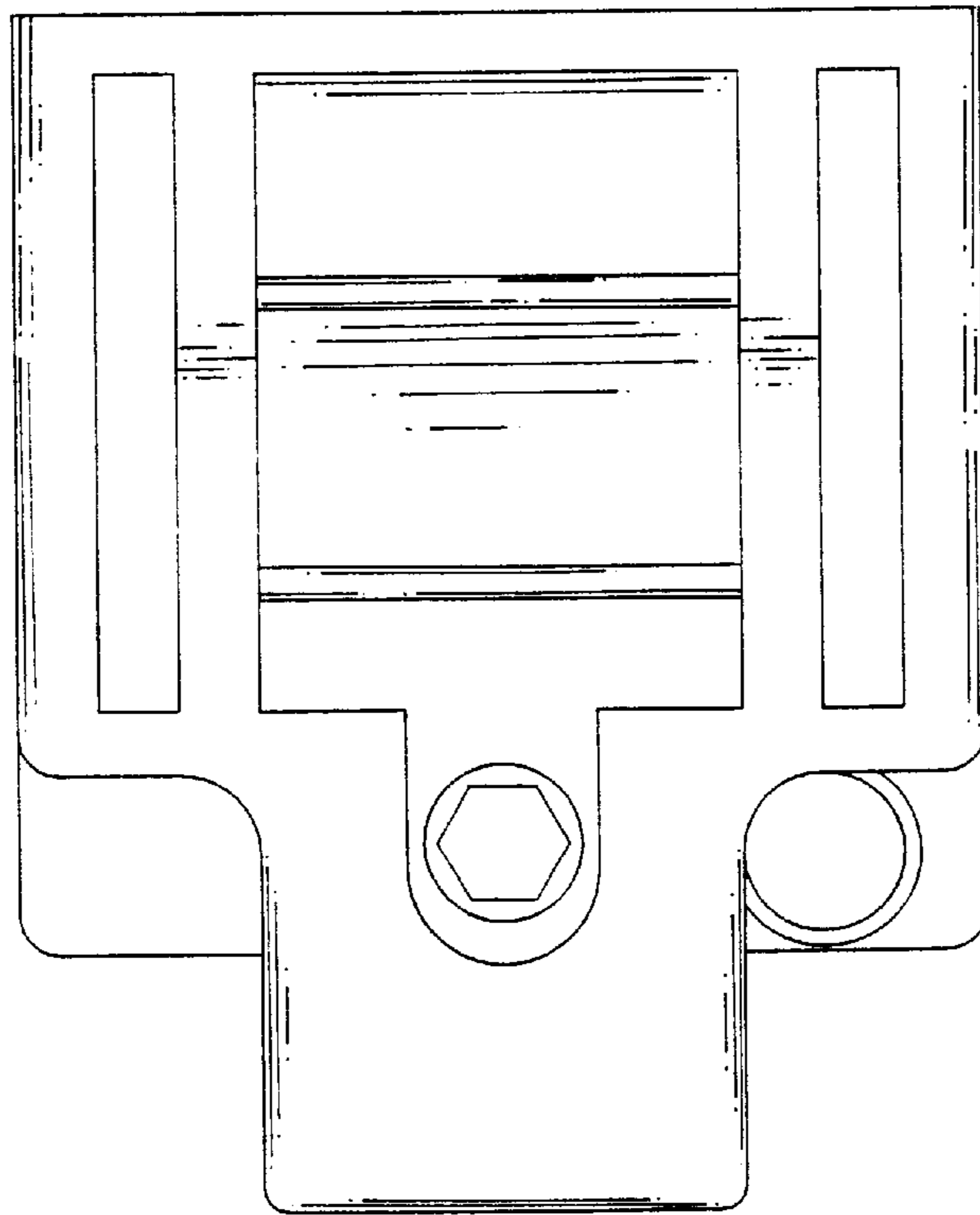


FIG. 6