



US00D411121S

United States Patent [19] Chang

[11] Patent Number: **Des. 411,121**

[45] Date of Patent: **** Jun. 22, 1999**

[54] **COMPASS**

[76] Inventor: **Gin-Sung Chang**, No. 229-21,
Kuang-Ming Rd., Chien-Chu Tsun,
Wu-Jih Hsiang, Taichung Hsien, Taiwan

[**] Term: **14 Years**

[21] Appl. No.: **29/088,847**

[22] Filed: **Jun. 2, 1998**

[51] **LOC (6) Cl.** **10-04**

[52] **U.S. Cl.** **D10/68**

[58] **Field of Search** D10/68; 33/355 R-361,
33/364, 355 D

[56] **References Cited**

U.S. PATENT DOCUMENTS

- D. 349,066 7/1994 Su D10/68
- D. 369,982 5/1996 Chang D10/68
- 4,899,453 2/1990 Bhat et al. D10/68 X

Primary Examiner—Antoine Duval Davis
Attorney, Agent, or Firm—Ladas & Parry

[57] **CLAIM**

The ornamental design for compass, as shown and described.

DESCRIPTION

FIG. 1 is a perspective view of compass showing my new design;

FIG. 2 is a front elevational view thereof;

FIG. 3 is a rear elevational view thereof;

FIG. 4 is a left side elevational view thereof;

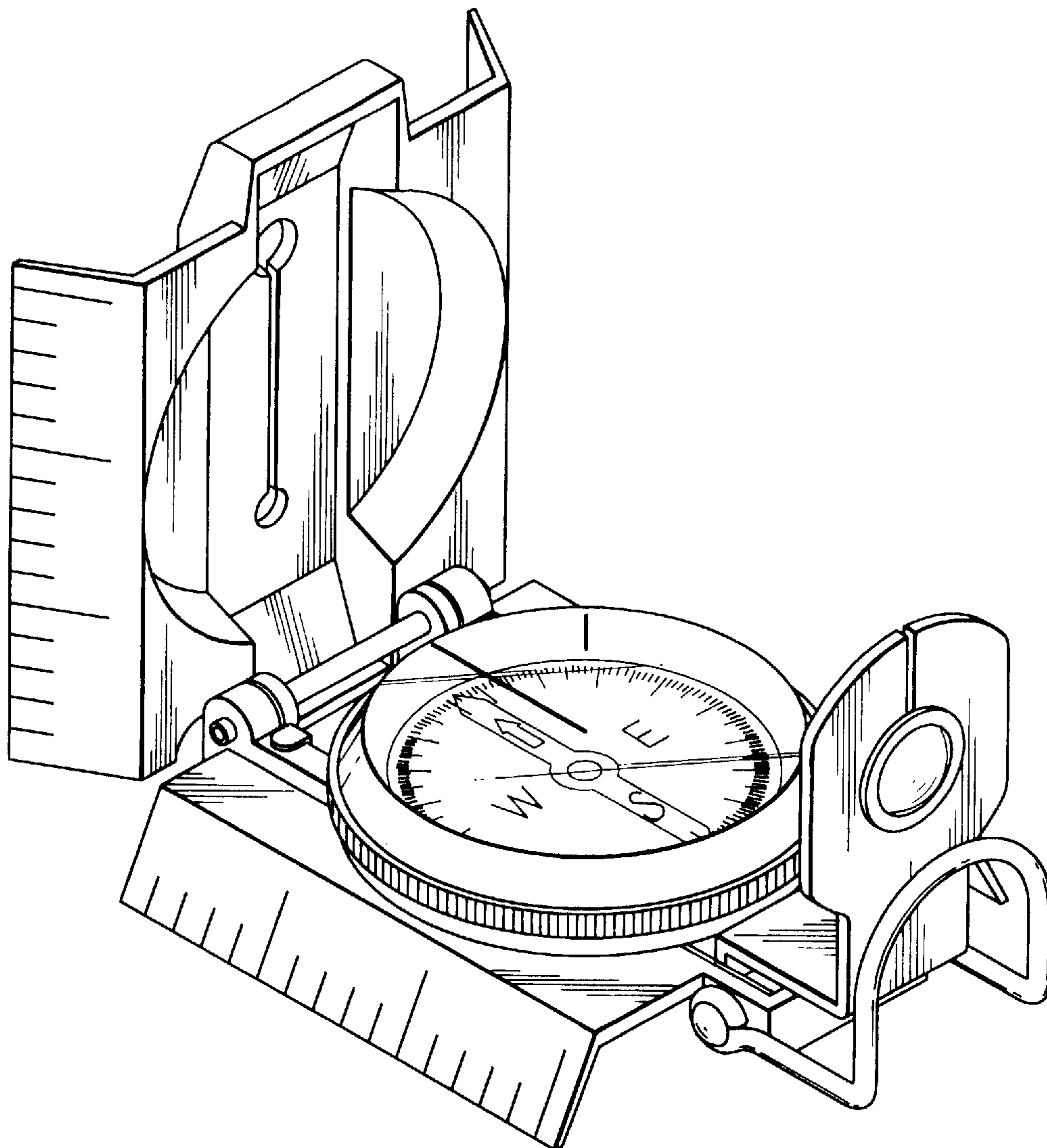
FIG. 5 is a right side elevational view thereof;

FIG. 6 is a top plan view thereof;

FIG. 7 is a bottom plan view thereof; and,

FIG. 8 is a perspective view thereof when in a folded position.

1 Claim, 5 Drawing Sheets



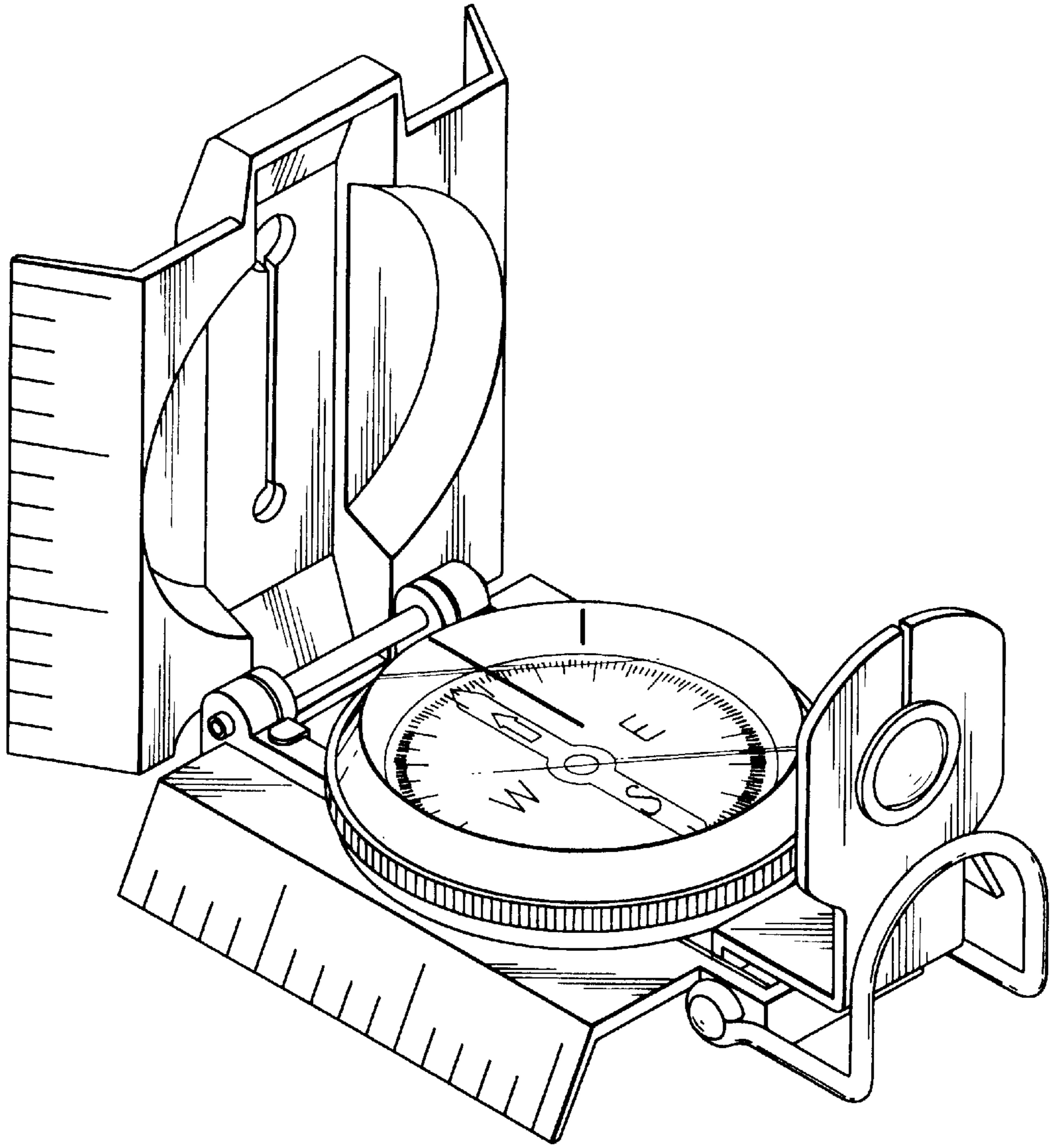


FIG. 1

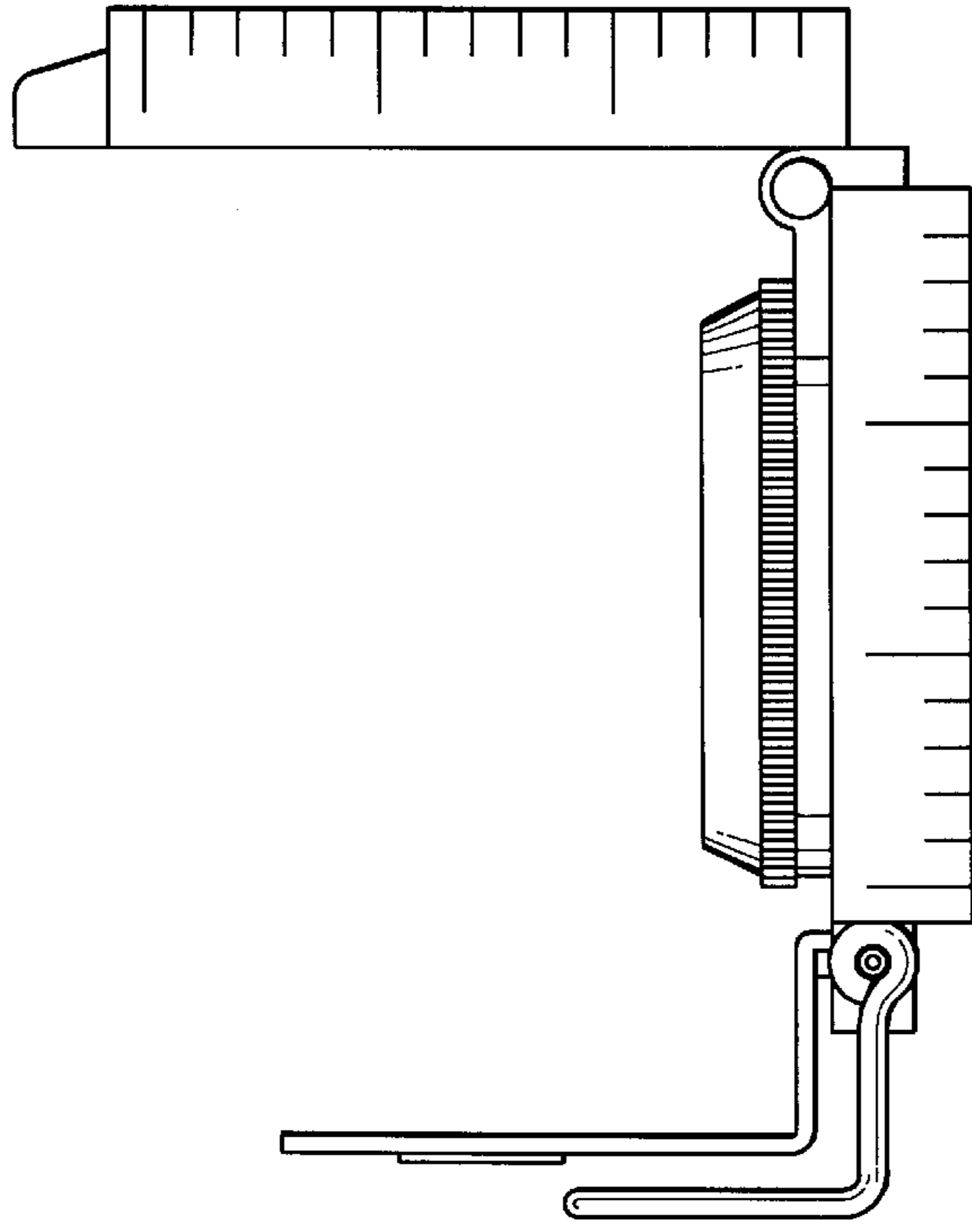


FIG. 3

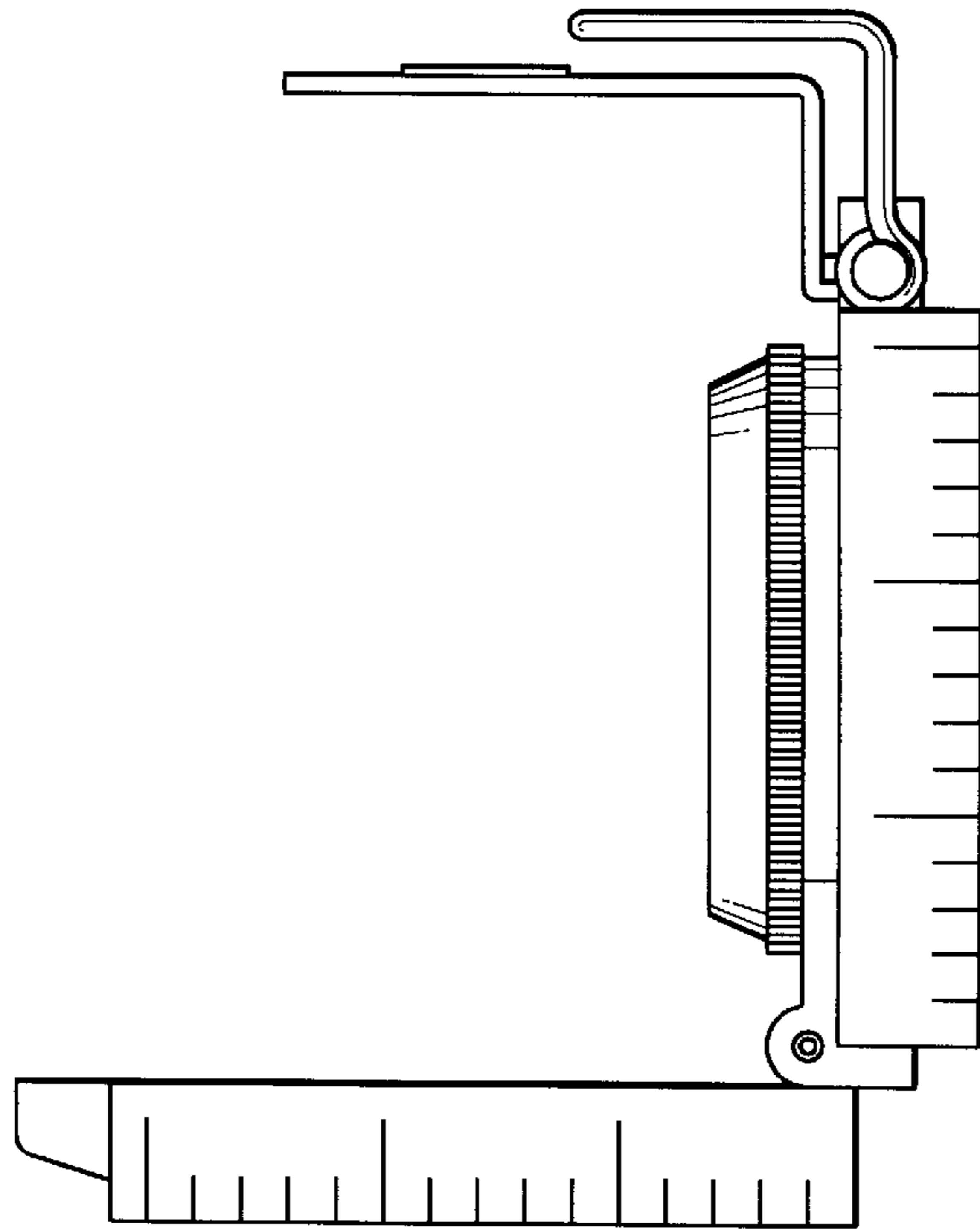


FIG. 2

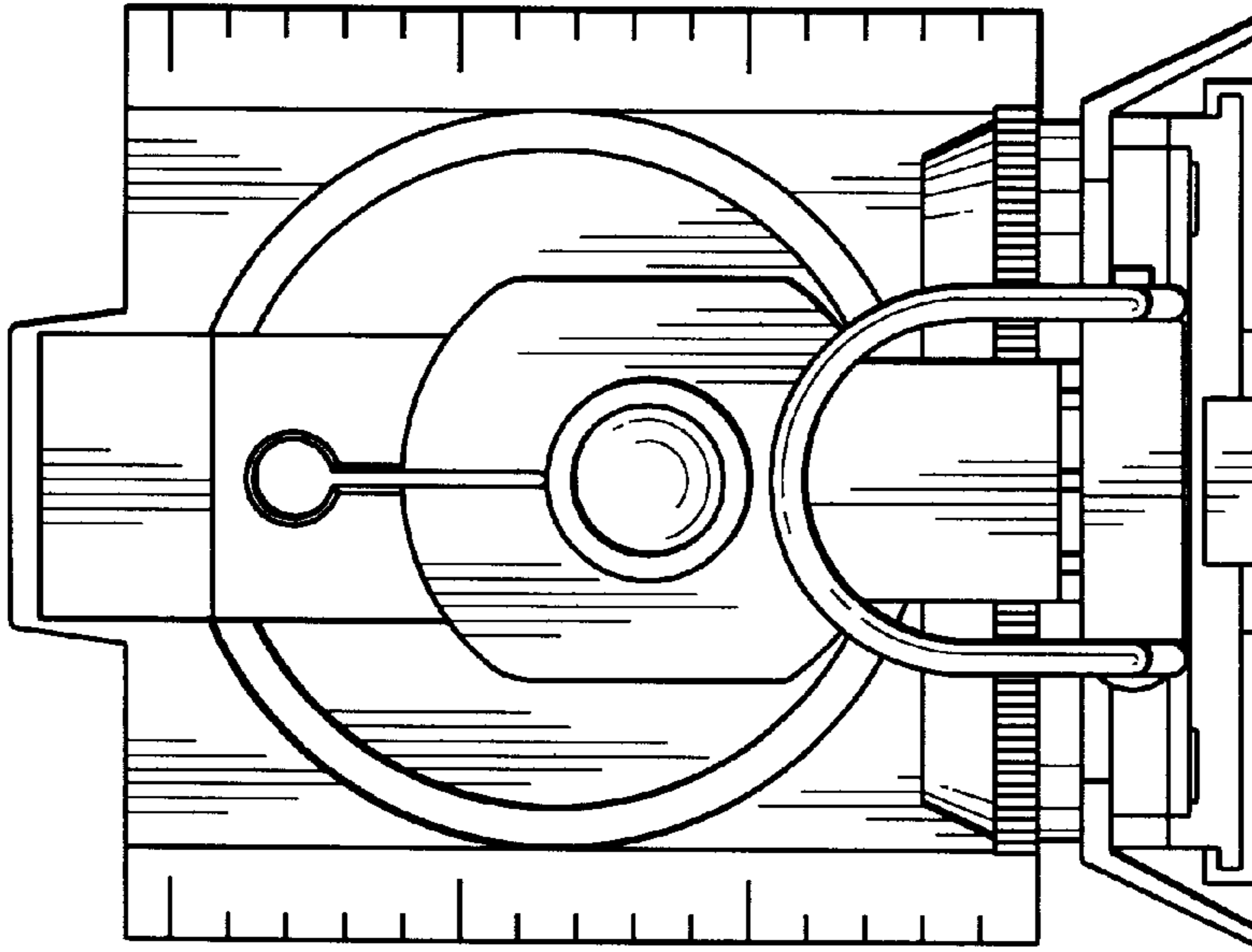


FIG. 5

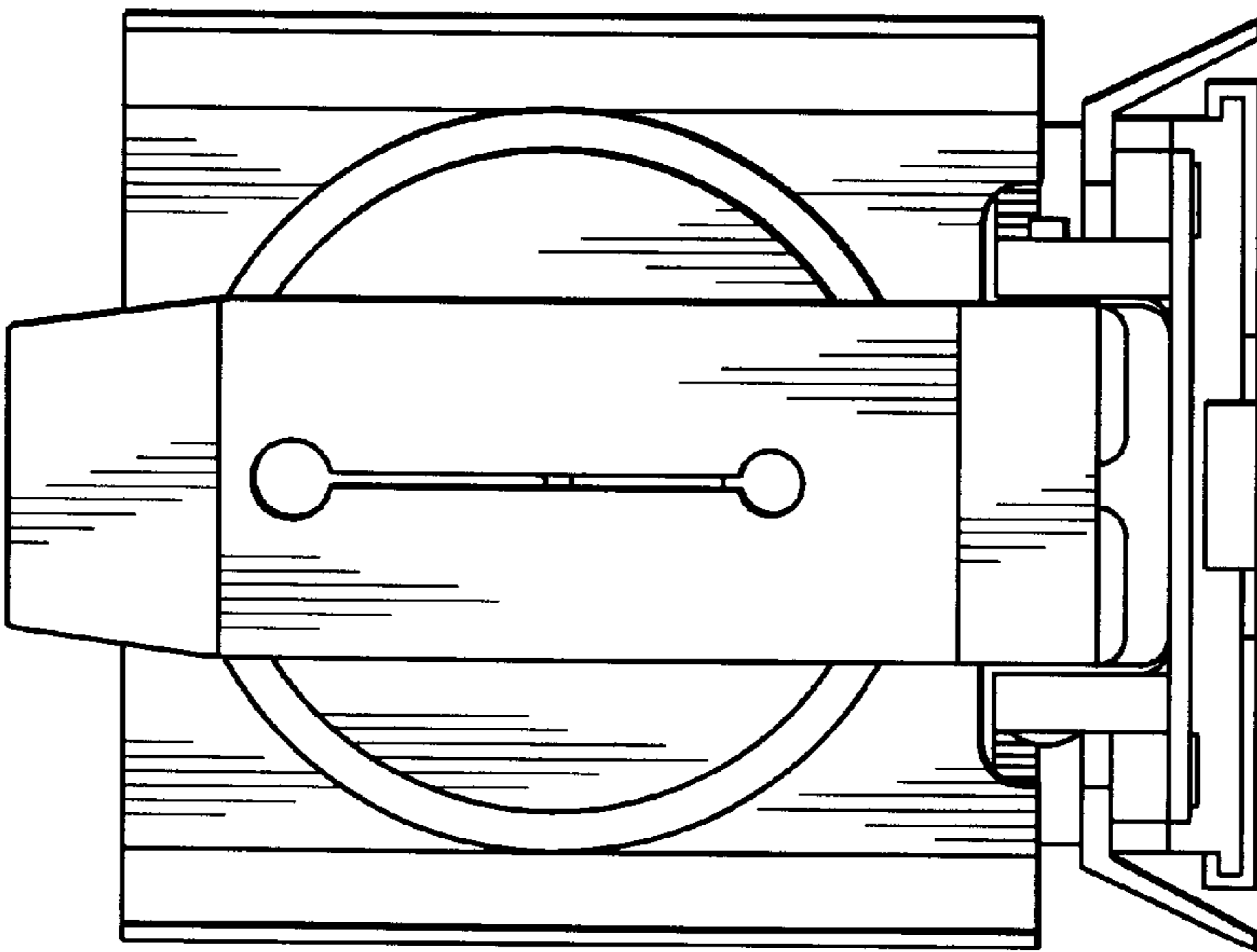


FIG. 4

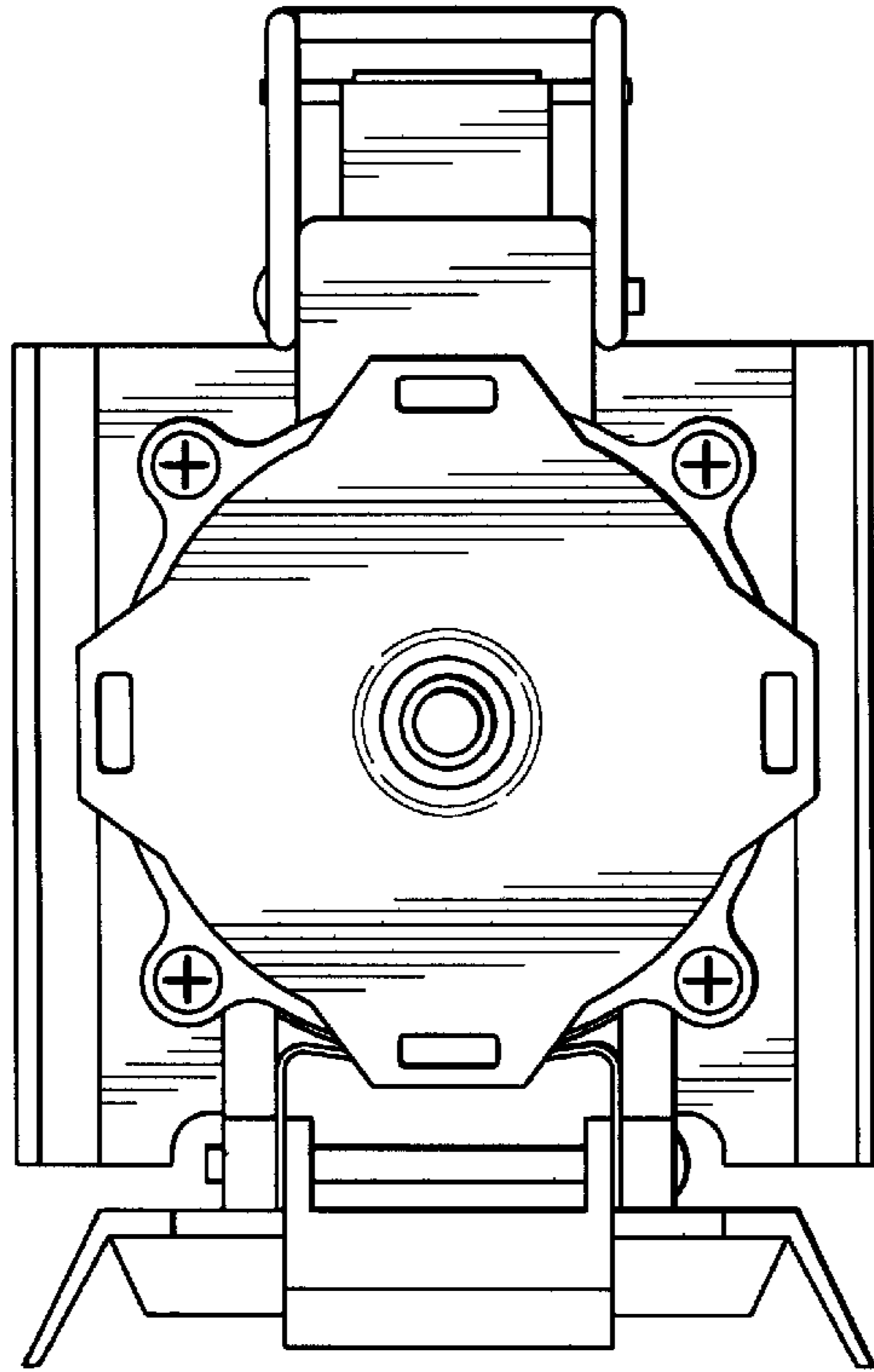


FIG. 7

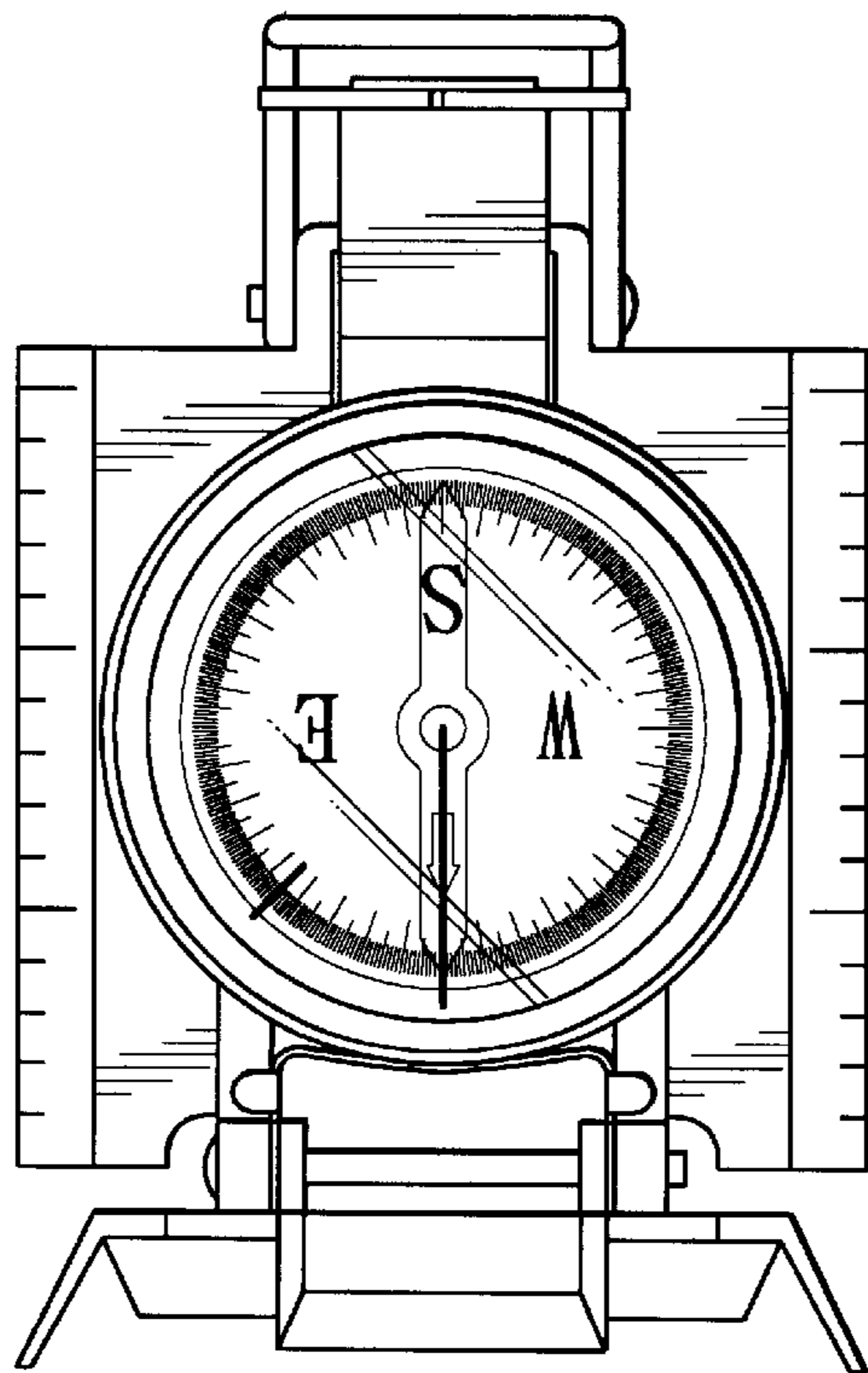


FIG. 6

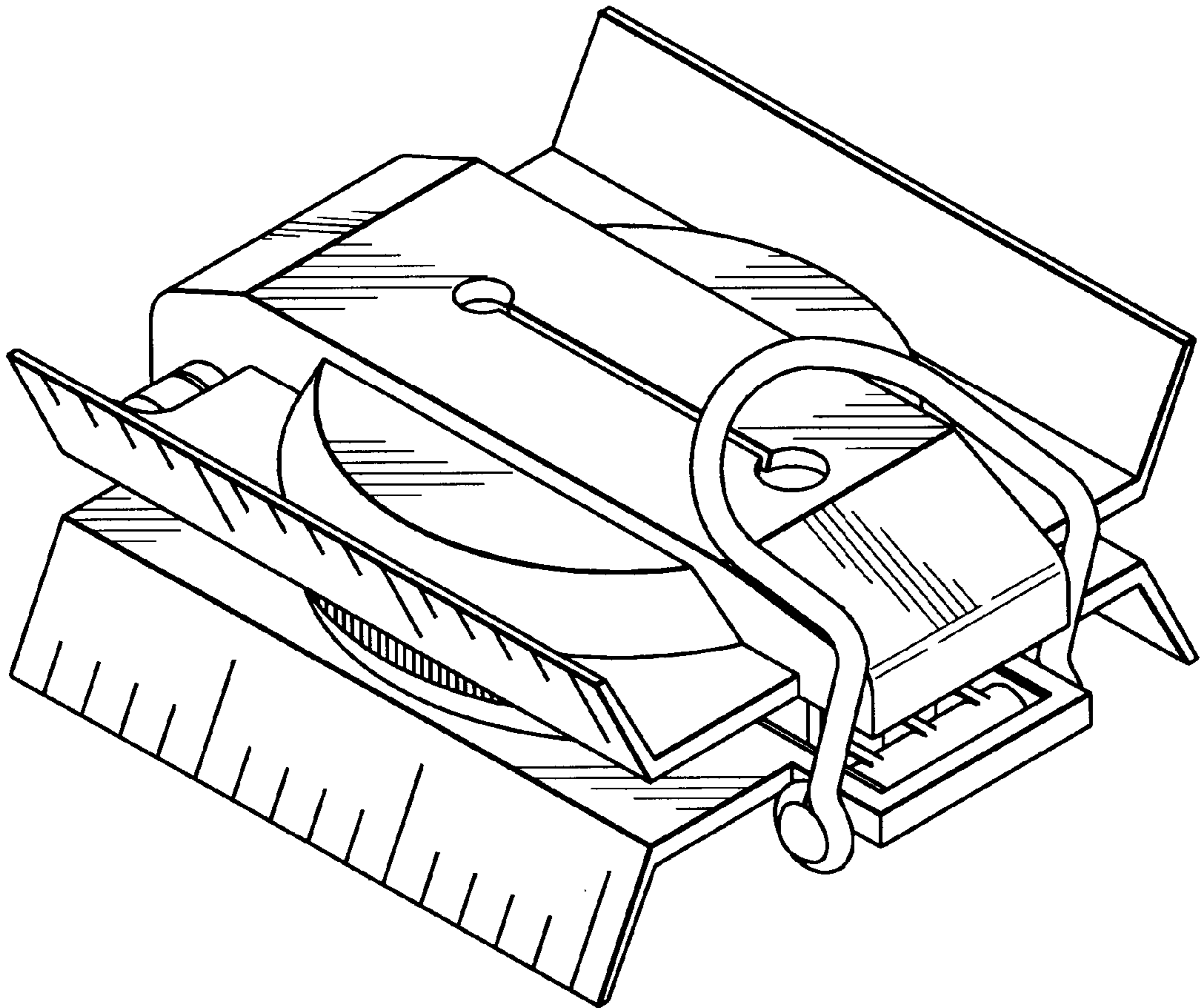


FIG. 8