



US00D411120S

United States Patent [19] Parry

[11] Patent Number: Des. 411,120

[45] Date of Patent: ** Jun. 22, 1999

[54] DOOR HANGING KIT

5,361,510 11/1994 Cox 33/194

[76] Inventor: William Parry, 1, Cyril Grove,
Aigburth L17 OAR, Liverpool, United
Kingdom

Primary Examiner—Antoine Duval Davis
Attorney, Agent, or Firm—Rader, Fishman & Grauer PLLC

[**] Term: 14 Years

[57] CLAIM

[21] Appl. No.: 29/087,572

The ornamental design for a door hanging kit, as shown and described.

[22] Filed: May 6, 1998

DESCRIPTION

[51] LOC (6) Cl. 10-04

[52] U.S. Cl. D10/65

[58] Field of Search D10/64, 65; 33/194,
33/451, 481; 269/152, 303, 901, 904, 905;
414/11, 618, 743

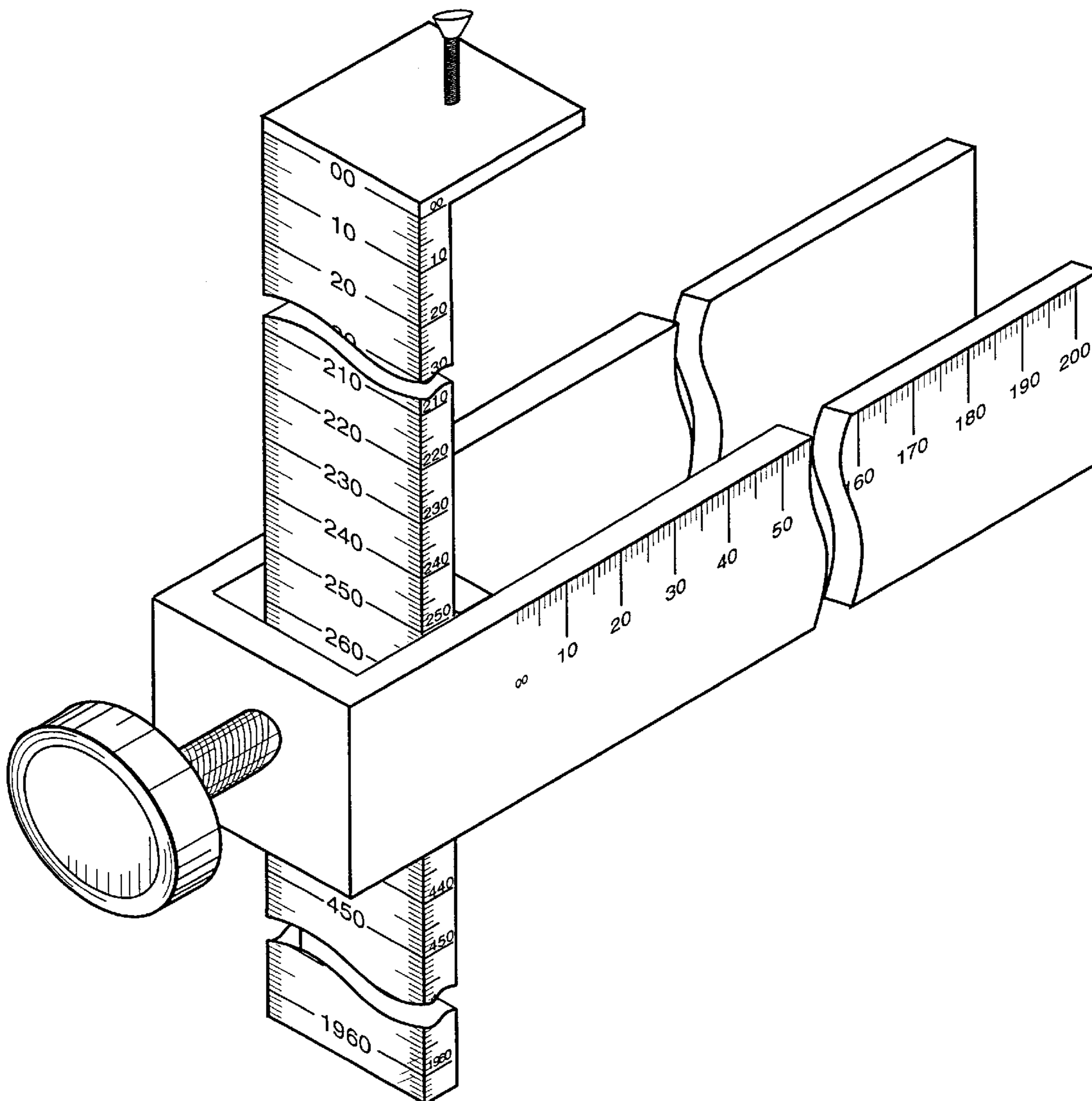
FIG. 1 is a view of the front face of the door hanging kit
FIG. 2 is a view of the reverse face of the door hanging kit
FIG. 3 is a view of the right face of the door hanging kit
FIG. 4 is a view of the left face of the door hanging kit
FIG. 5 is a view of the top face of the door hanging kit
FIG. 6 is a view of the bottom face of the door hanging kit;
and,
FIG. 7 is an isometric view of the door hanging kit.

[56] References Cited

U.S. PATENT DOCUMENTS

4,947,594 8/1990 Theobald et al. 33/194

1 Claim, 4 Drawing Sheets



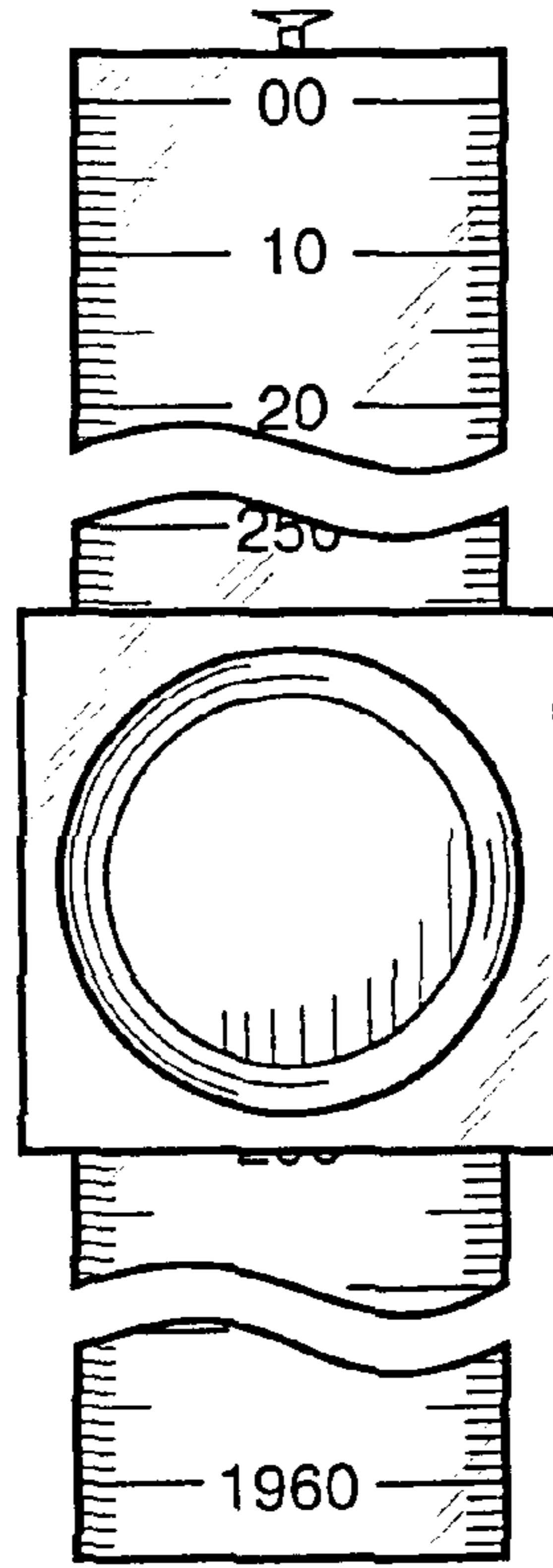


FIG 1

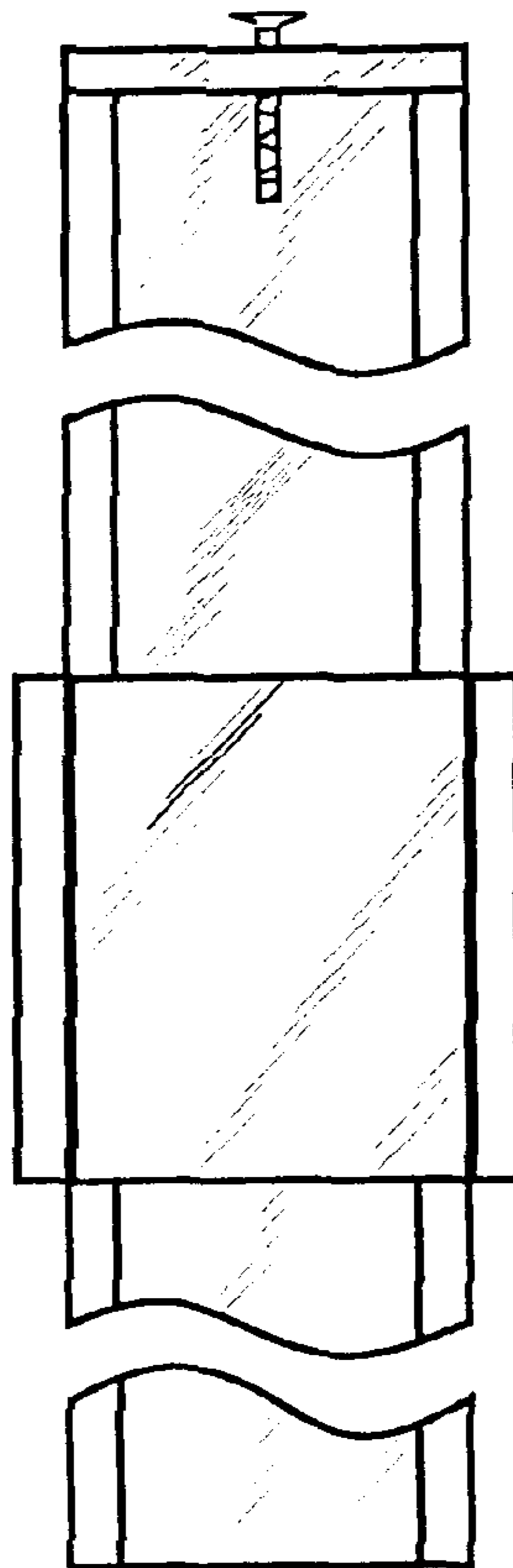


FIG 2

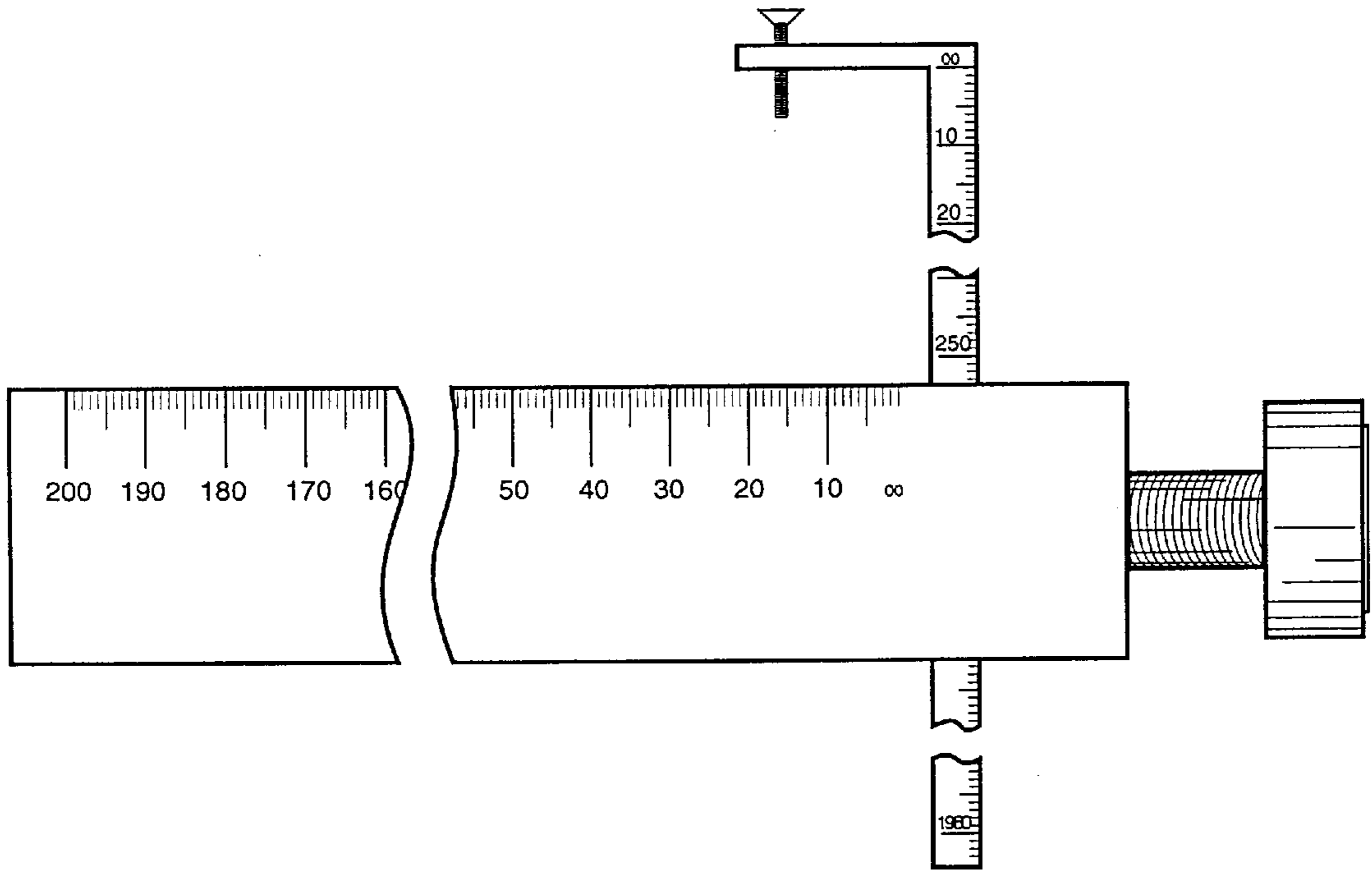


FIG 3

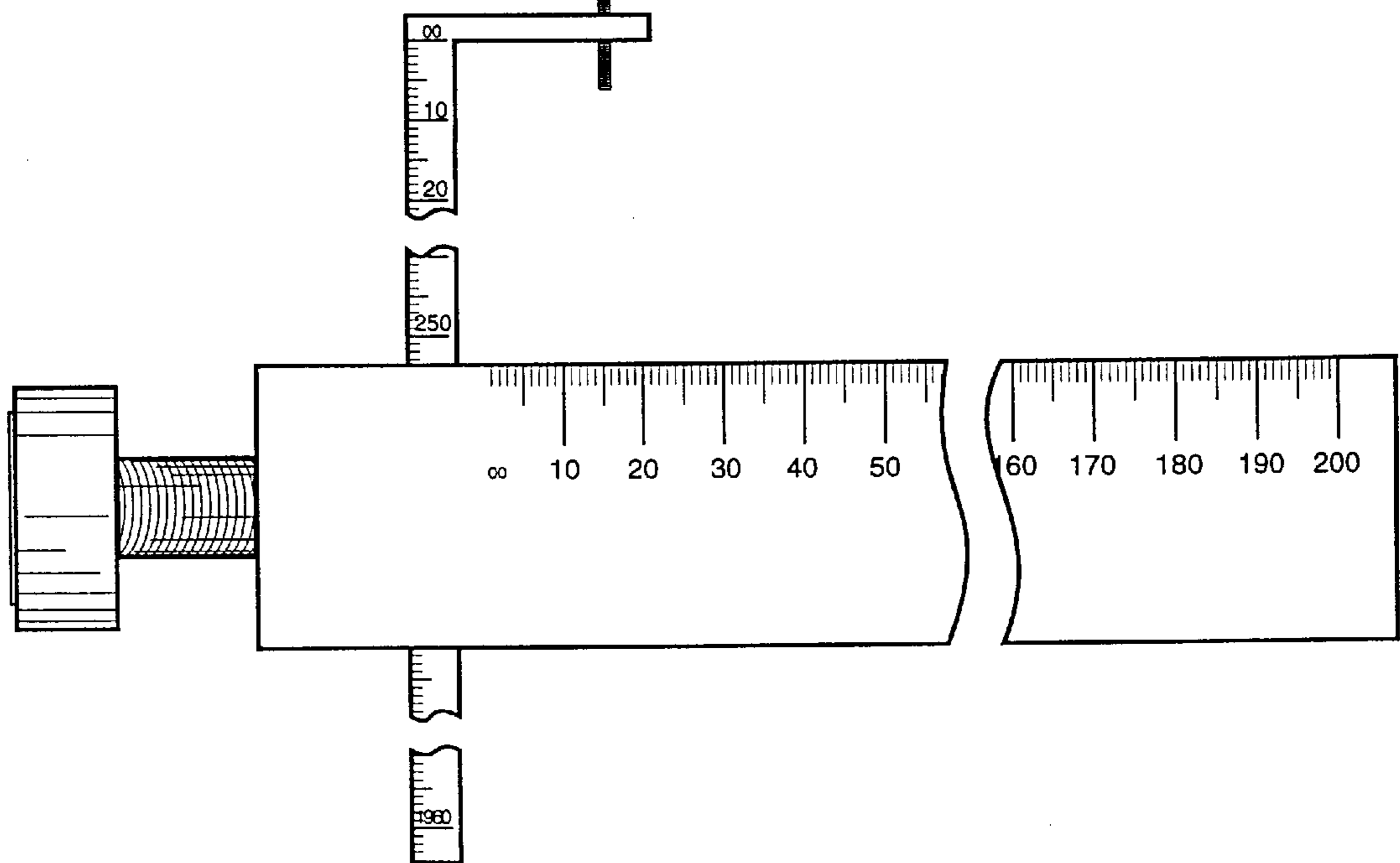


FIG 4

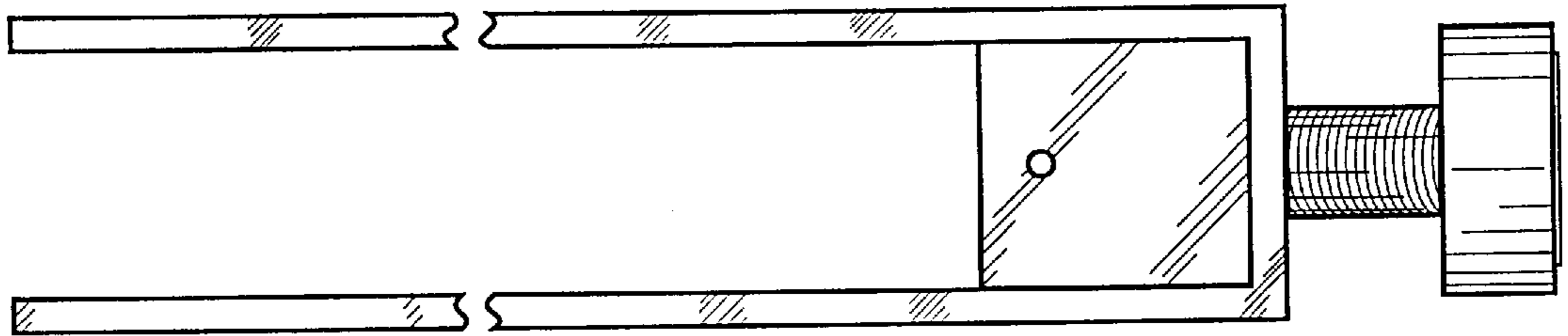


FIG 5

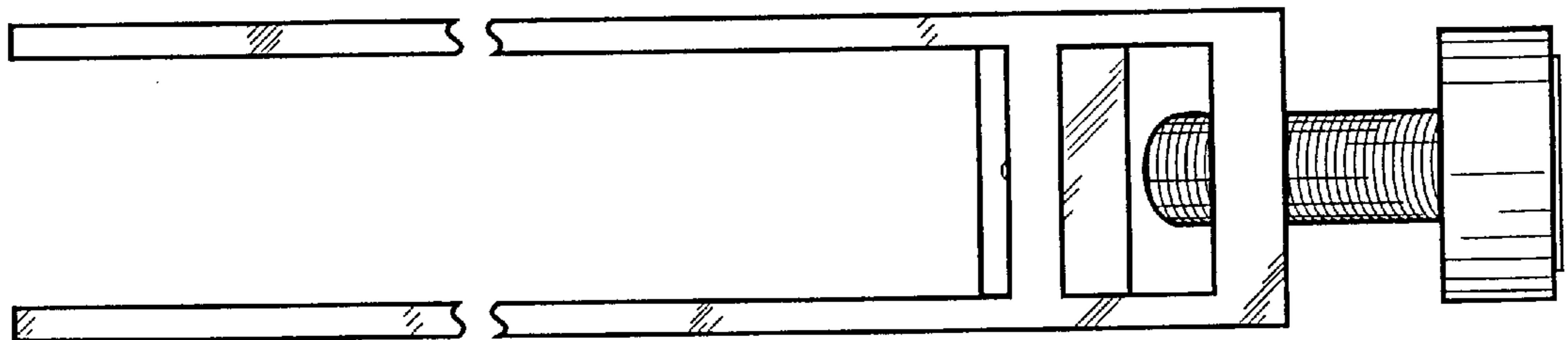


FIG 6

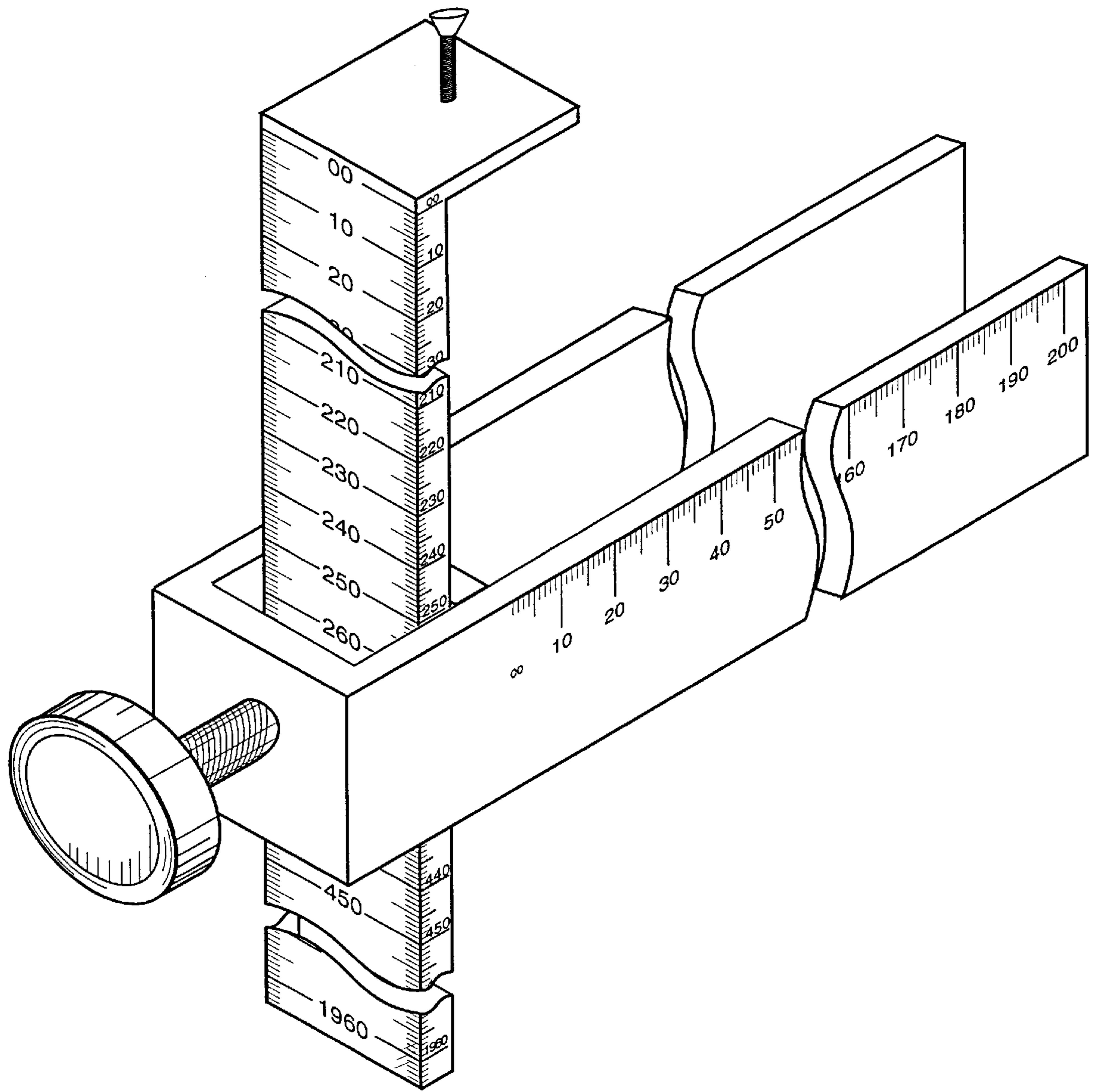


FIG 7