



US00D41113S

United States Patent [19] Tabacco

[11] Patent Number: **Des. 411,113**

[45] Date of Patent: **** Jun. 22, 1999**

[54] **ICE EDGE CLOCK**

[76] Inventor: **Don Tabacco**, 10125 Grove La.,
Cooper City, Fla. 35328

[**] Term: **14 Years**

[21] Appl. No.: **29/080,414**

[22] Filed: **Sep. 29, 1997**

Related U.S. Application Data

[63] Continuation-in-part of application No. 29/051,130, Mar. 4,
1996, abandoned.

[51] **LOC (6) Cl.** **10-01**

[52] **U.S. Cl.** **D10/6**

[58] **Field of Search** D10/1-40, 122-132;
368/276-277, 285, 316-317

[56] References Cited

U.S. PATENT DOCUMENTS

D. 158,602	5/1950	Nelson	D10/29
D. 182,876	5/1958	Bruce	D10/25
D. 321,656	11/1991	Aikawa	D10/6
D. 326,417	5/1992	Aikawa	D10/26

OTHER PUBLICATIONS

Home Furn. Daily—Dec. 7, 1987 p. 74—Clock in Middle.

Primary Examiner—Nelson C. Holtje
Attorney, Agent, or Firm—Joseph H. Taddeo

[57] CLAIM

The ornamental design for an ice edge clock, as shown and described.

DESCRIPTION

FIG. 1 is a front view of an ice edge clock, showing my new design;

FIG. 2 is a left side view of the ice edge clock;

FIG. 3 is a right side view of the ice edge clock, showing my new design;

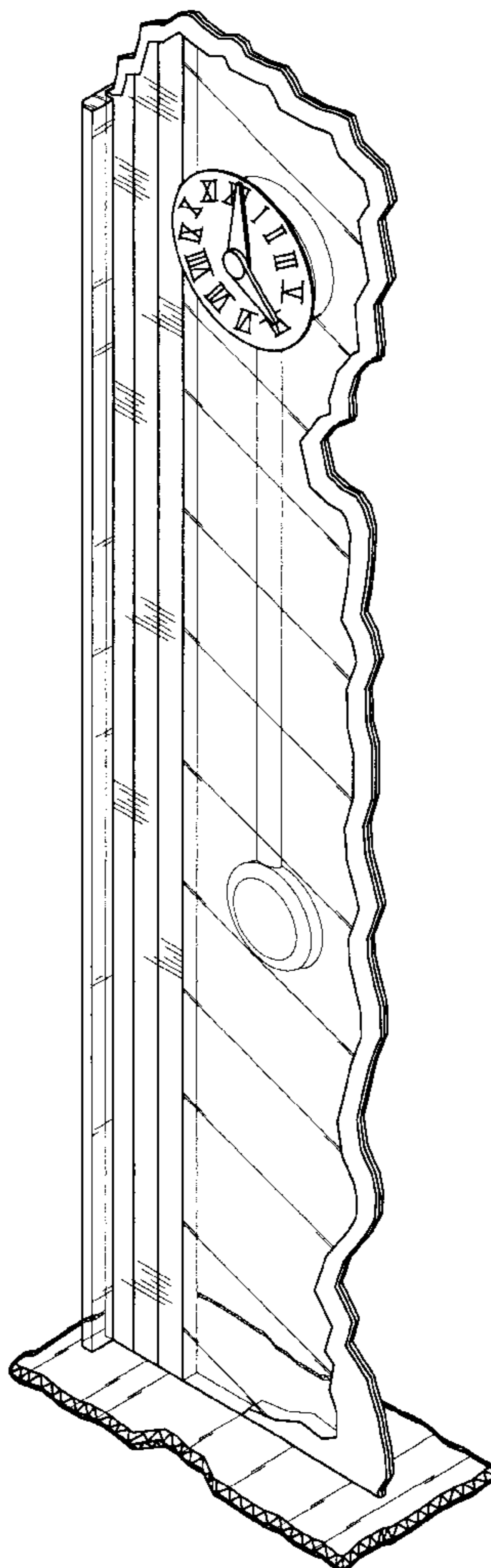
FIG. 4 is a top view of the ice edge clock, showing my new design;

FIG. 5 is a bottom view of the ice edge clock, showing my new design; and,

FIG. 6 is a top and right-front perspective view of the ice edge clock.

The rear view of the ice edge clock, not shown, is substantially identical to the front shown in FIG. 1.

1 Claim, 2 Drawing Sheets



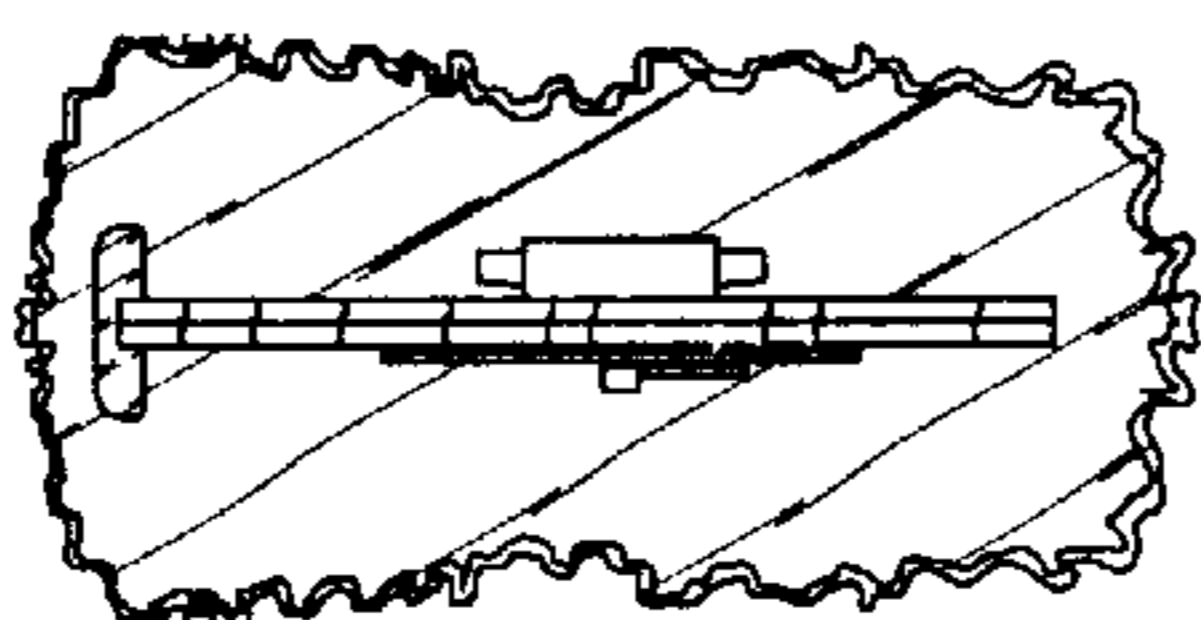


FIG. 4

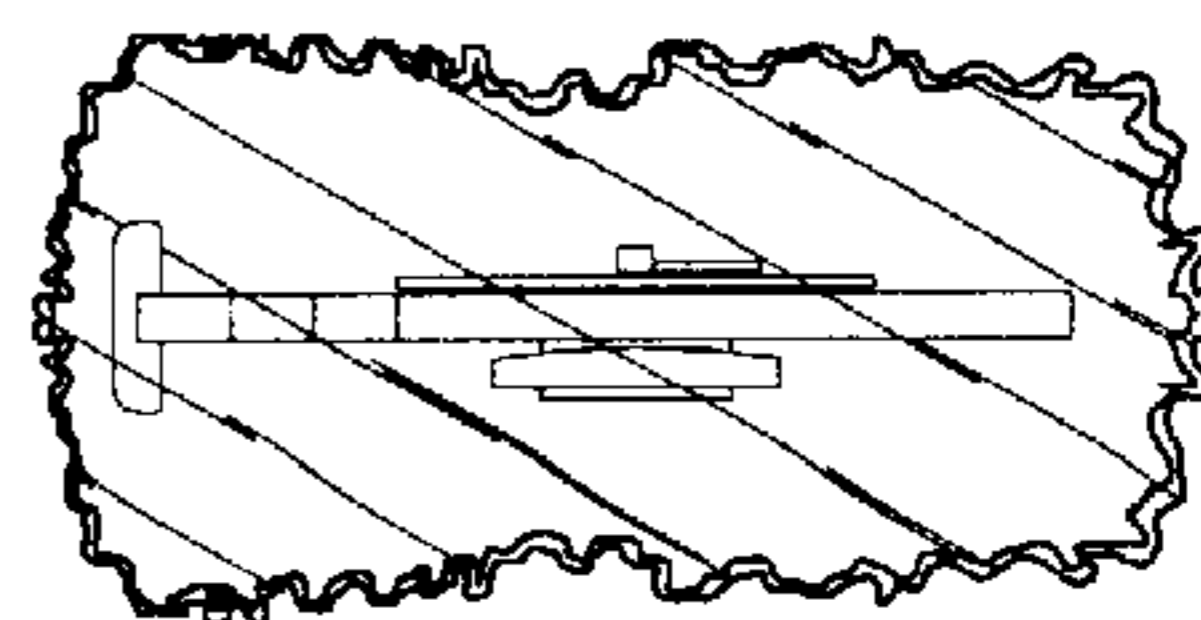


FIG. 5

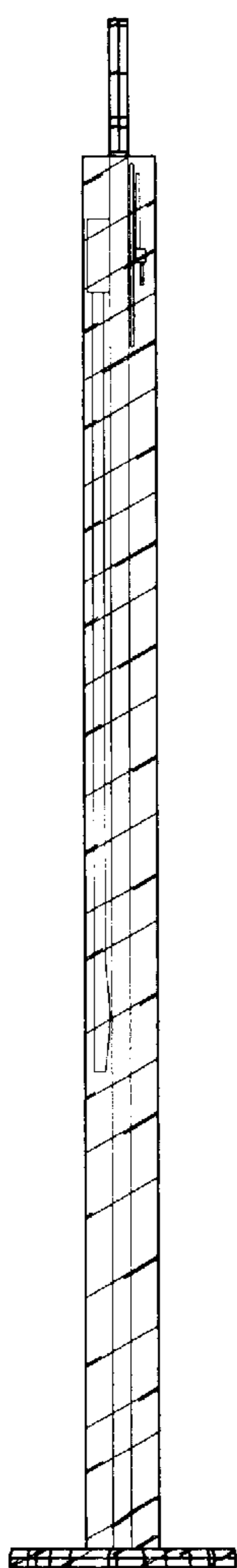


FIG. 2

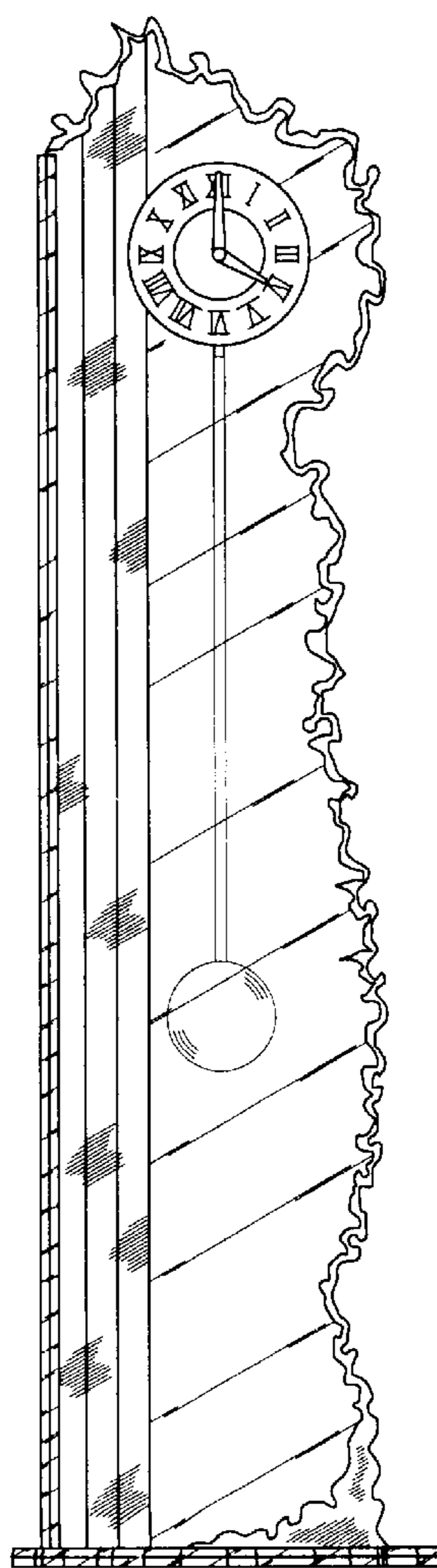


FIG. 1

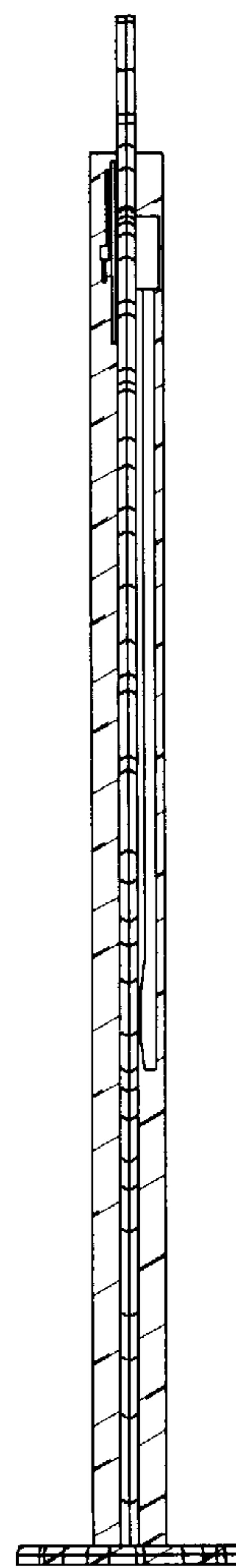


FIG. 3

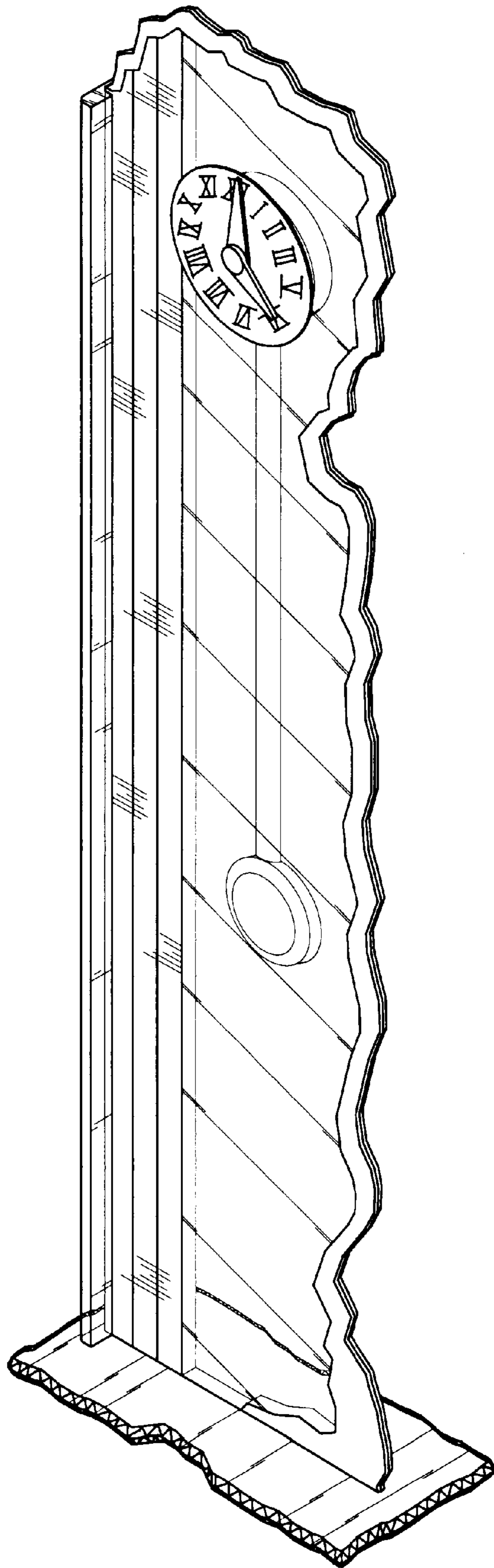


FIG. 6