



US00D411109S

United States Patent [19]

[11] **Patent Number: Des. 411,109**

Suto

[45] **Date of Patent: ** Jun. 15, 1999**

[54] **COMBINED PACKAGING CONTAINER AND CAP**

Attorney, Agent, or Firm—Evenson, McKeown, Edwards & Lenahan, PLLC

[75] Inventor: **Kaoru Suto**, Nagoya, Japan

[57] **CLAIM**

[73] Assignee: **Shachihata Inc.**, Aichi-ken, Japan

The ornamental design for a combined packaging container and cap, as shown and described.

[**] Term: **14 Years**

DESCRIPTION

[21] Appl. No.: **29/090,979**

FIG. 1 is a right front perspective view of a combined packaging container and cap of the subject matter; FIG. 2 is a front view of the combined packaging container and cap, and a rear view is the same as the front view; FIG. 3 is a right side view of the combined packaging container and cap, and a left side view is the same as the right side view;

[22] Filed: **Jul. 21, 1998**

FIG. 4 is a plan view of the combined packaging container and cap;

[30] **Foreign Application Priority Data**

Jan. 30, 1998 [JP] Japan 10-2681

FIG. 5 is a bottom view of the combined packaging container and cap;

[51] **LOC (6) Cl.** **09-01**

[52] **U.S. Cl.** **D9/550; D9/338; D9/571**

FIG. 6 is an exploded perspective view thereof;

[58] **Field of Search** D9/571, 550, 338, D9/558, 573, 574, 452, 453, 300; 215/382, 383, 384; 222/212, 213, 490, 491, 495

FIG. 7 is a front view of the packaging container without the cap;

[56] **References Cited**

U.S. PATENT DOCUMENTS

- D. 158,237 4/1950 Warren, Jr. D9/338
- D. 227,224 6/1973 Schweizer D9/571
- D. 293,944 1/1988 Trabattoni D9/571
- D. 376,536 12/1996 Maxwell et al. D9/300
- D. 400,793 11/1998 Kuhn D9/453
- 5,056,689 10/1991 Heyl et al. 222/212

The packaging container and cap are shown separately in FIGS. 7 through 10 for clarity of illustration.

Primary Examiner—Lucy Lieberman

1 Claim, 2 Drawing Sheets

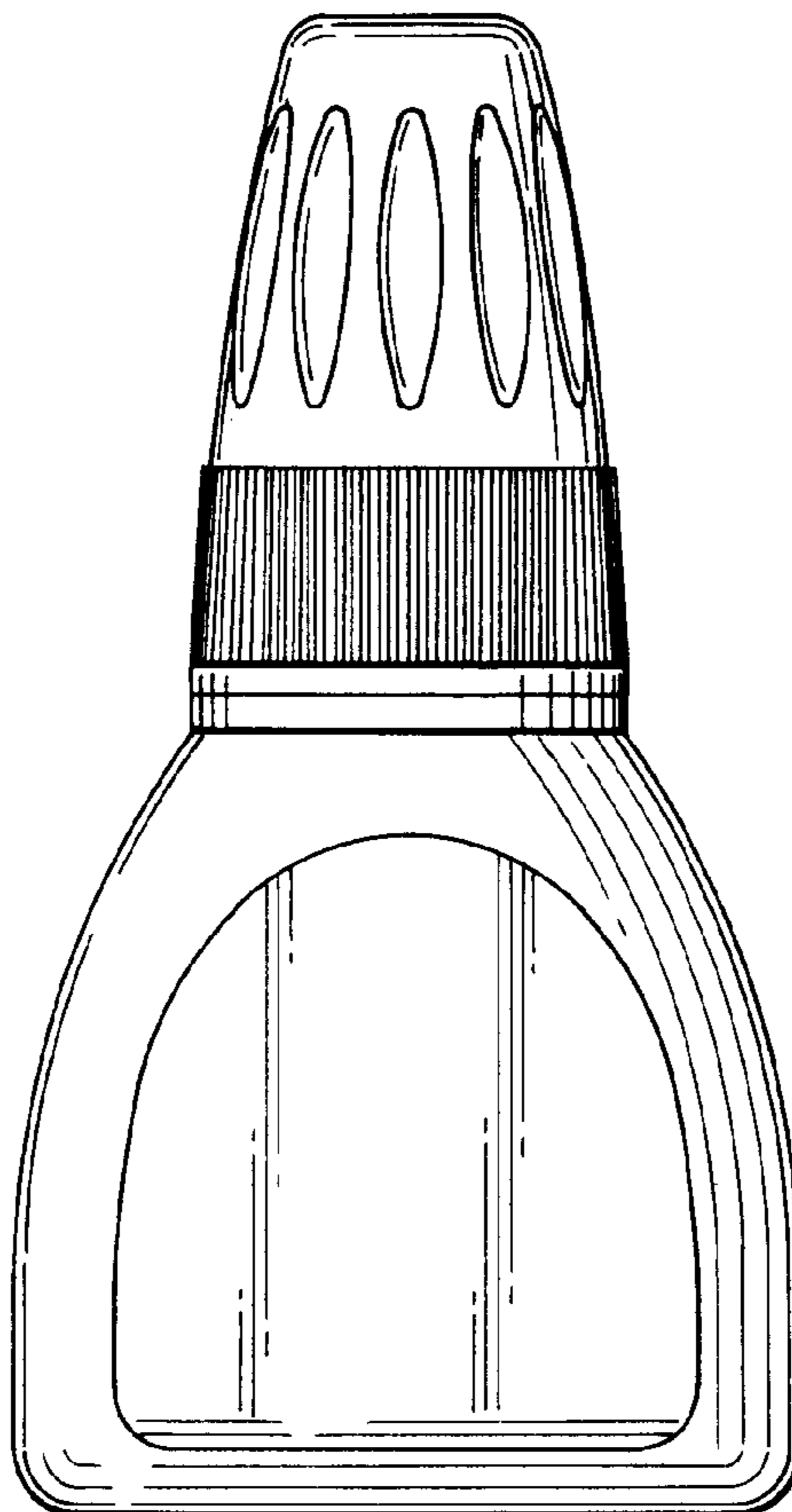


FIG. 1

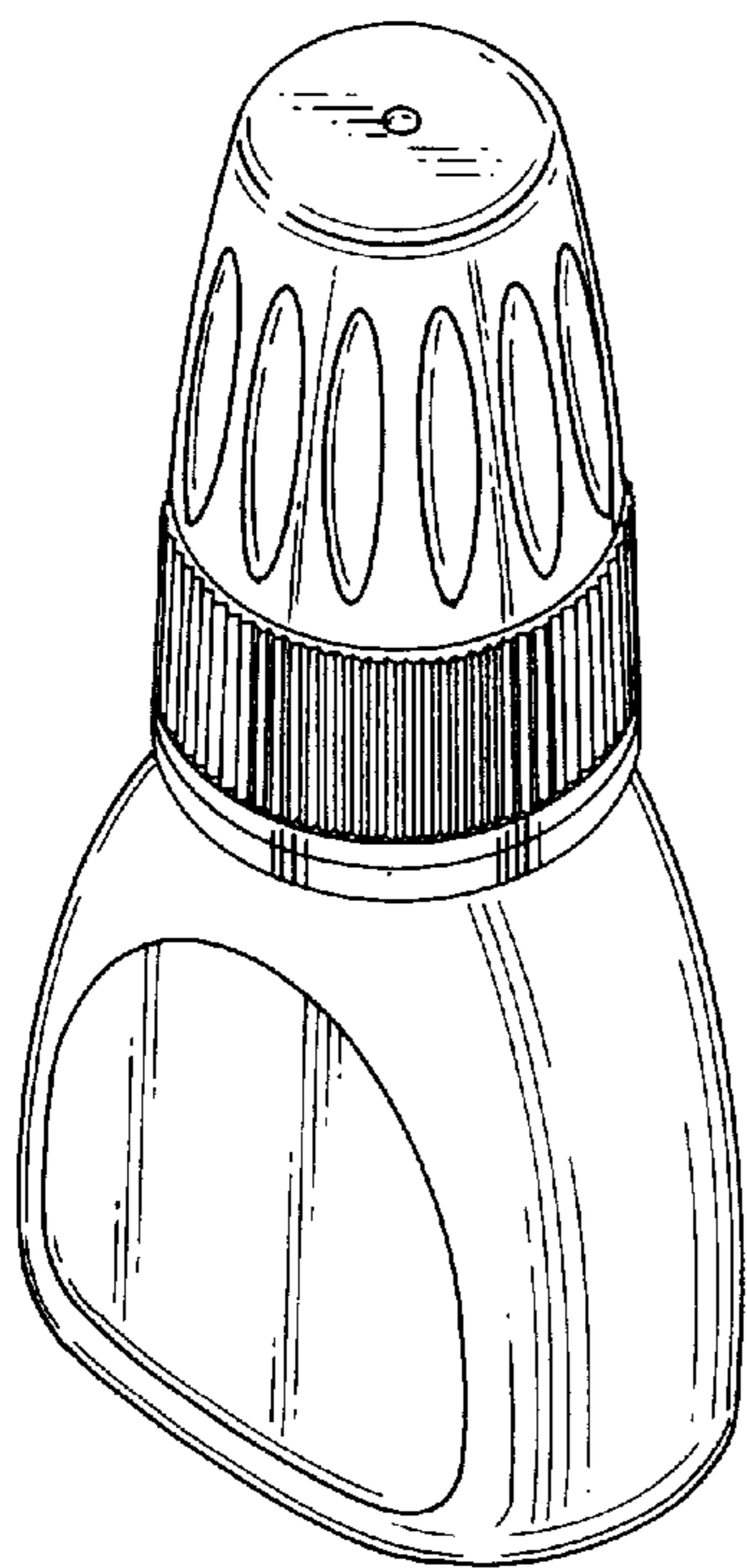


FIG. 2

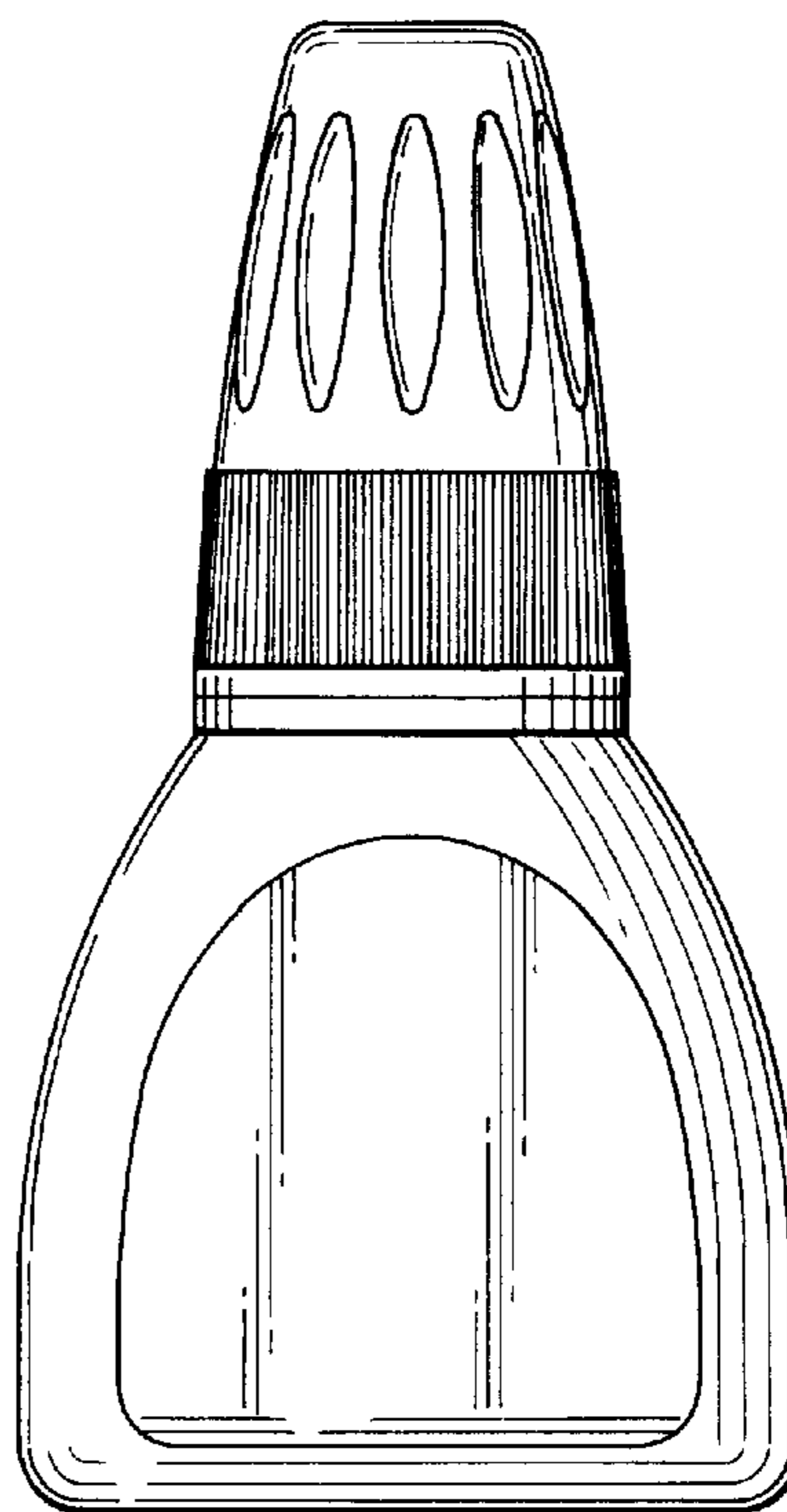


FIG. 3

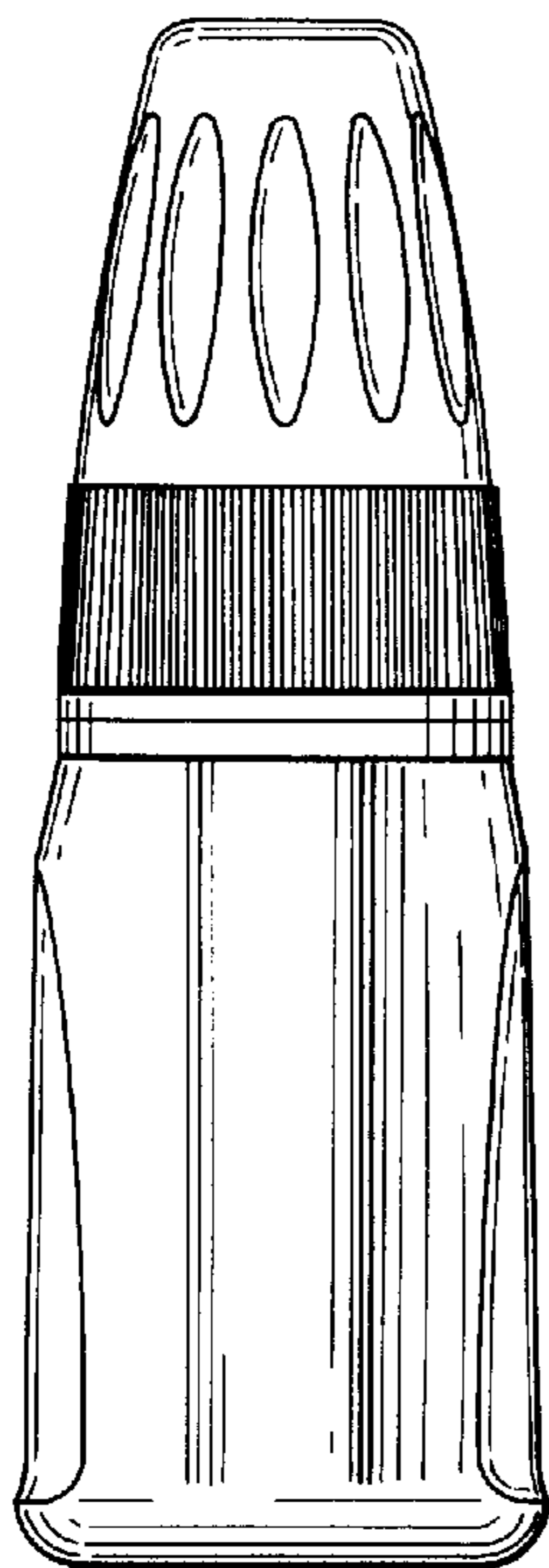


FIG. 4

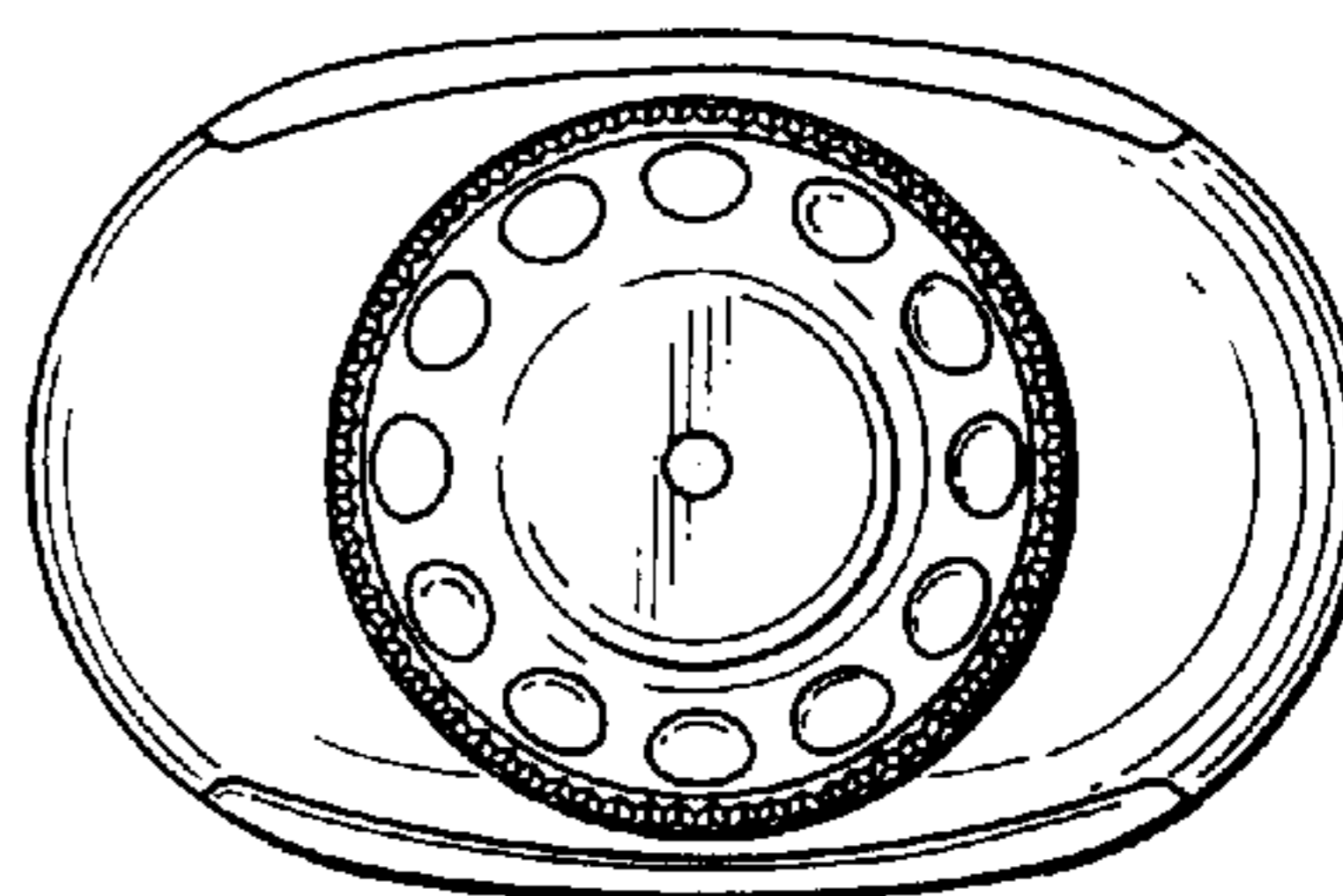


FIG. 5

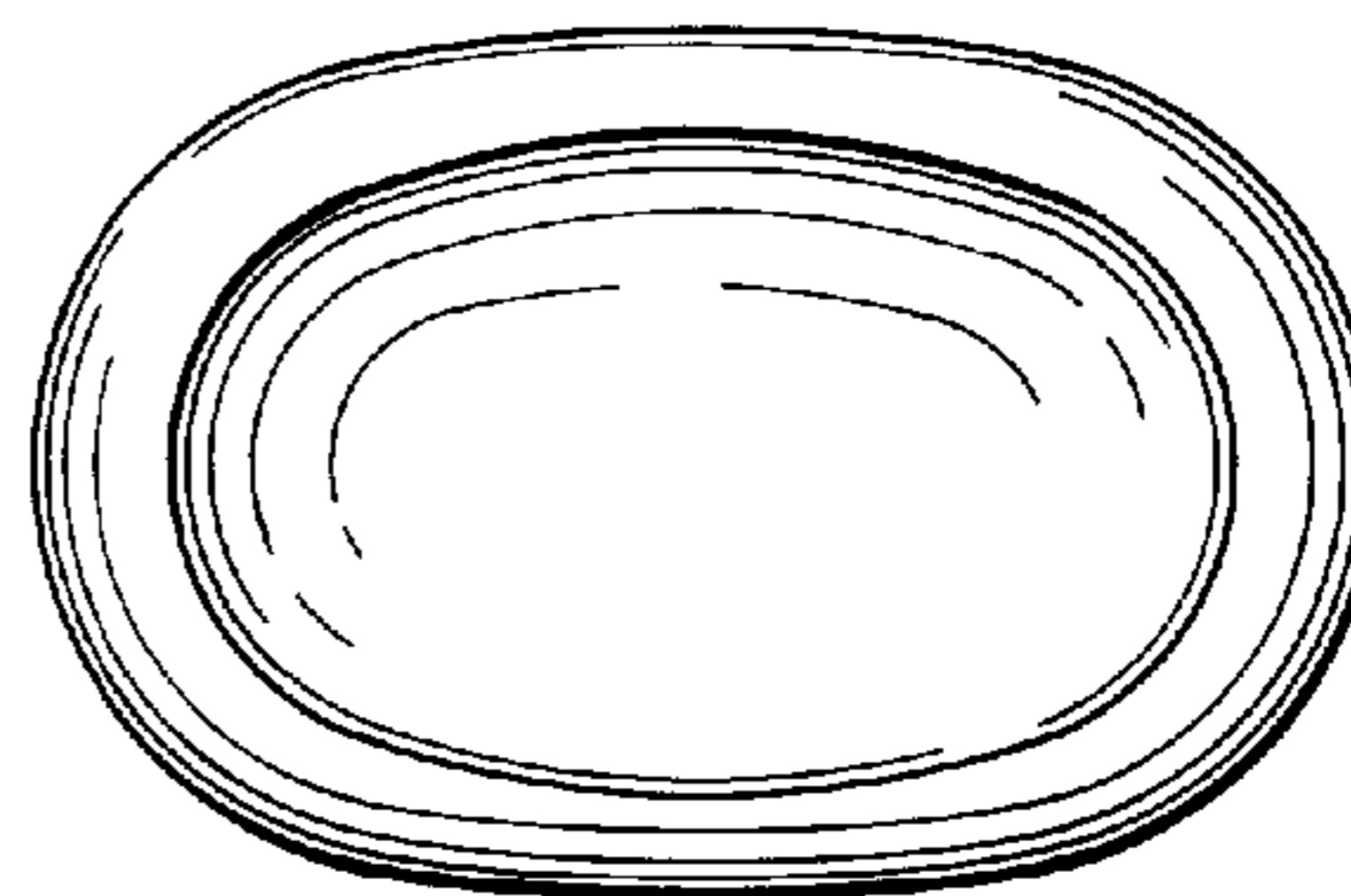


FIG. 7

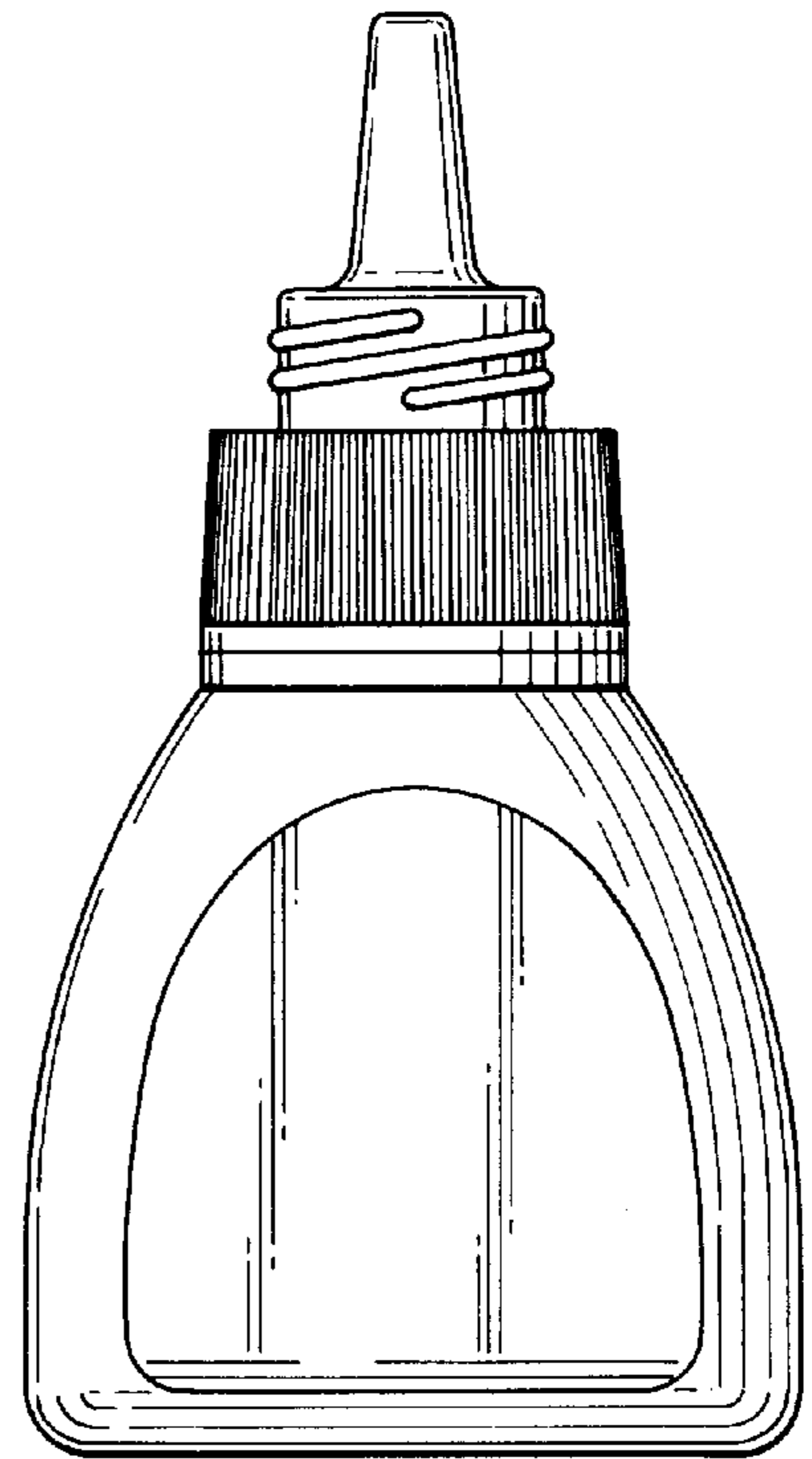


FIG. 8

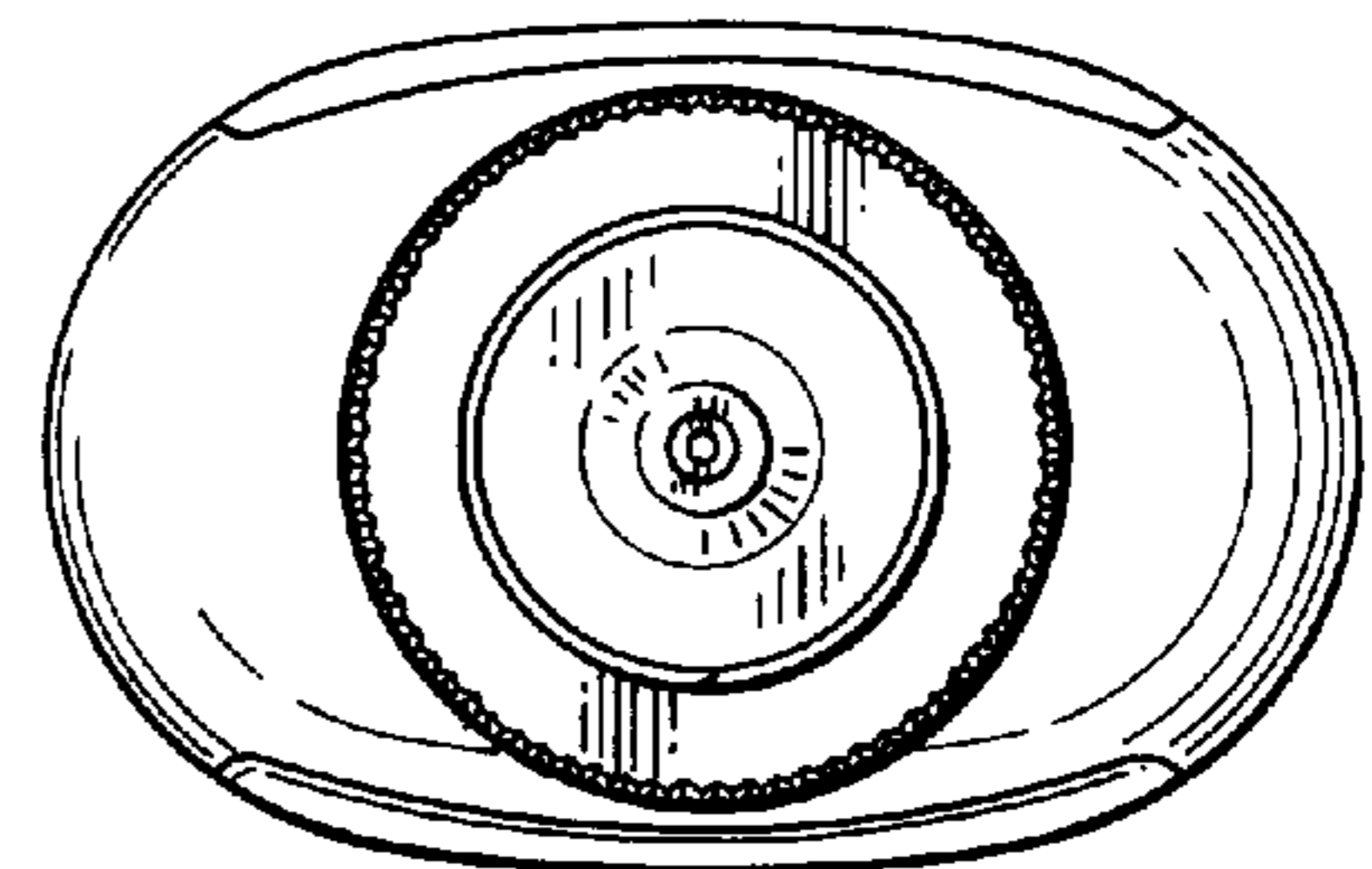


FIG. 9

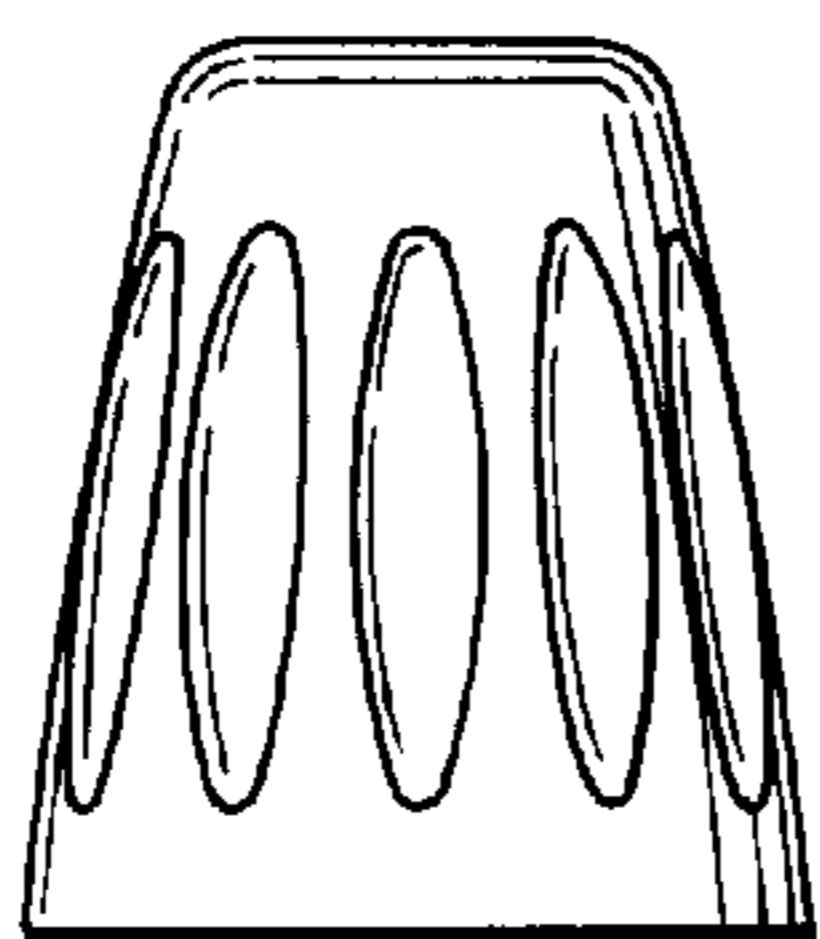


FIG. 10

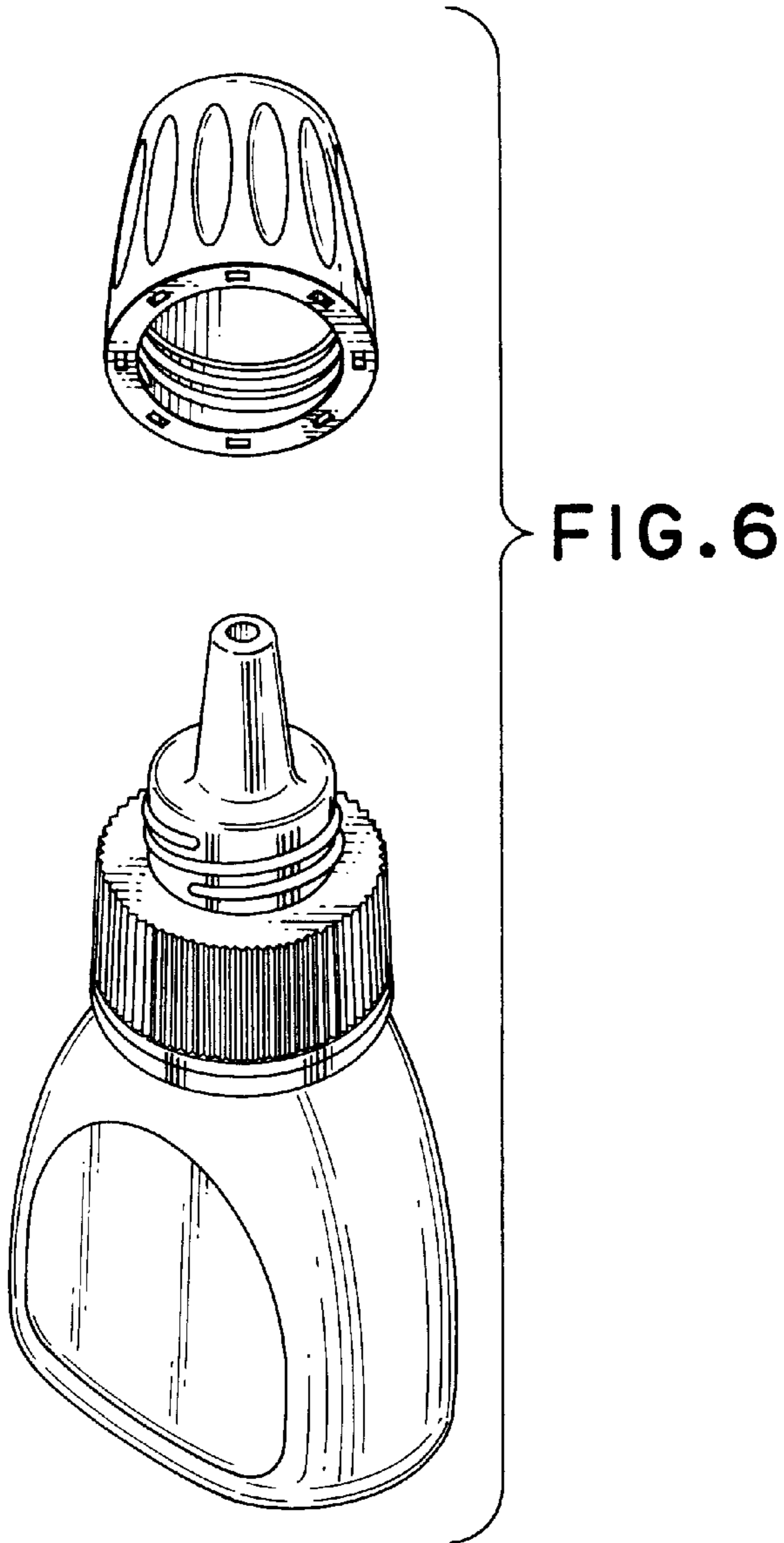
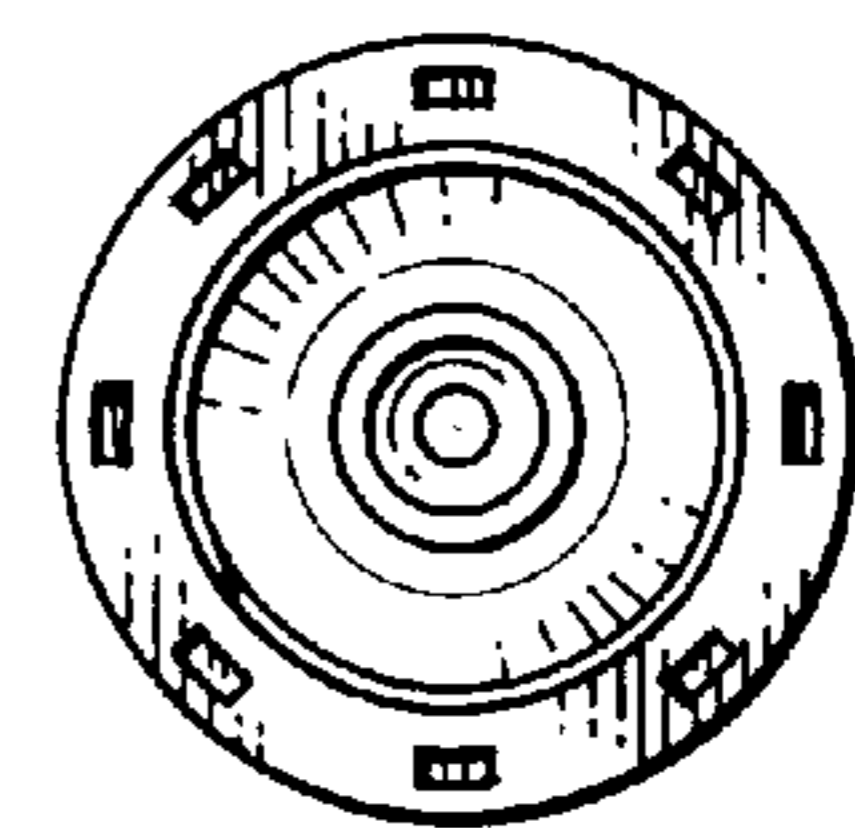


FIG. 6