



US00D411102S

# United States Patent [19] Planchard

[11] **Patent Number: Des. 411,102**

[45] **Date of Patent: \*\* Jun. 15, 1999**

[54] **FOLDABLE CONTAINER**

[75] Inventor: **Christian Planchard**, Angoulins, France

[73] Assignee: **LIPPAC Sarl**, Nanterre, France

[\*\*] Term: **14 Years**

[21] Appl. No.: **29/042,422**

[22] Filed: **Aug. 10, 1995**

[51] **LOC (6) Cl. .... 09-05**

[52] **U.S. Cl. .... D9/305; D9/346; D9/433**

[58] **Field of Search .... D9/305, 306, 345, D9/346, 430-433, 415, 416, 418; 229/116.1, 117.01, 902, 906, 400, 405; 383/104, 907**

[56] **References Cited**

**U.S. PATENT DOCUMENTS**

D. 239,253	3/1976	Tiep et al. ....	D9/415
D. 271,943	12/1983	Beise et al. ....	D9/415
D. 281,667	12/1985	Durbin ....	D9/305
D. 293,212	12/1987	Zuliani ....	D9/418
D. 306,975	4/1990	Brondyke et al. ....	D9/431
D. 333,613	3/1993	Theros ....	D9/415
1,738,779	12/1929	Lockwood ....	229/405
2,050,894	8/1936	Paige ....	229/922 X
2,301,106	11/1942	Brown ....	229/87.01 X

4,502,623	3/1985	Moore, Jr. et al. ....	229/400
4,955,528	9/1990	Schluckebier ....	229/400 X
4,981,257	1/1991	Radbruch ....	229/116.1 X

*Primary Examiner*—Martie K. Holtje  
*Attorney, Agent, or Firm*—Weiser & Associates, P.C.

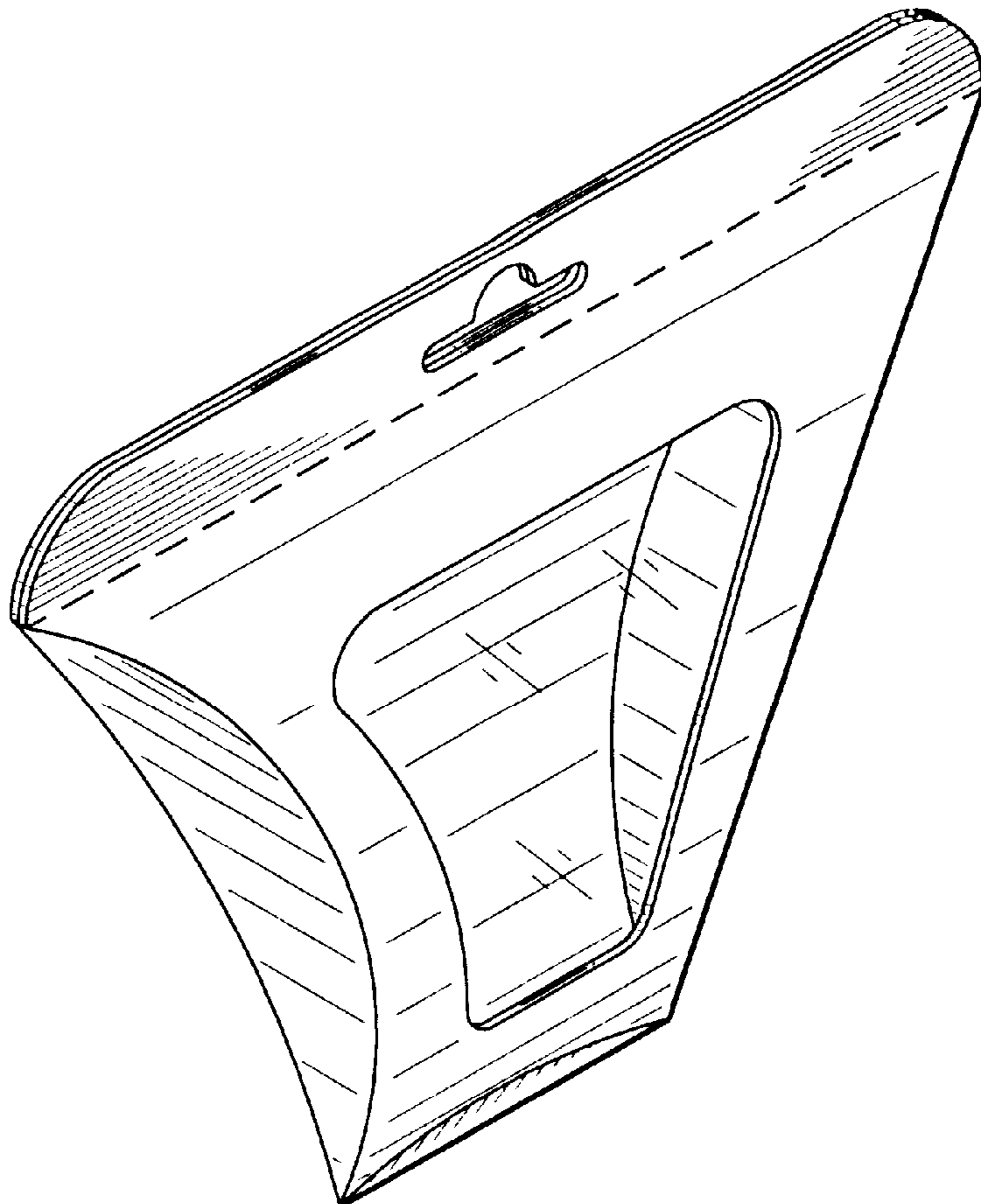
[57] **CLAIM**

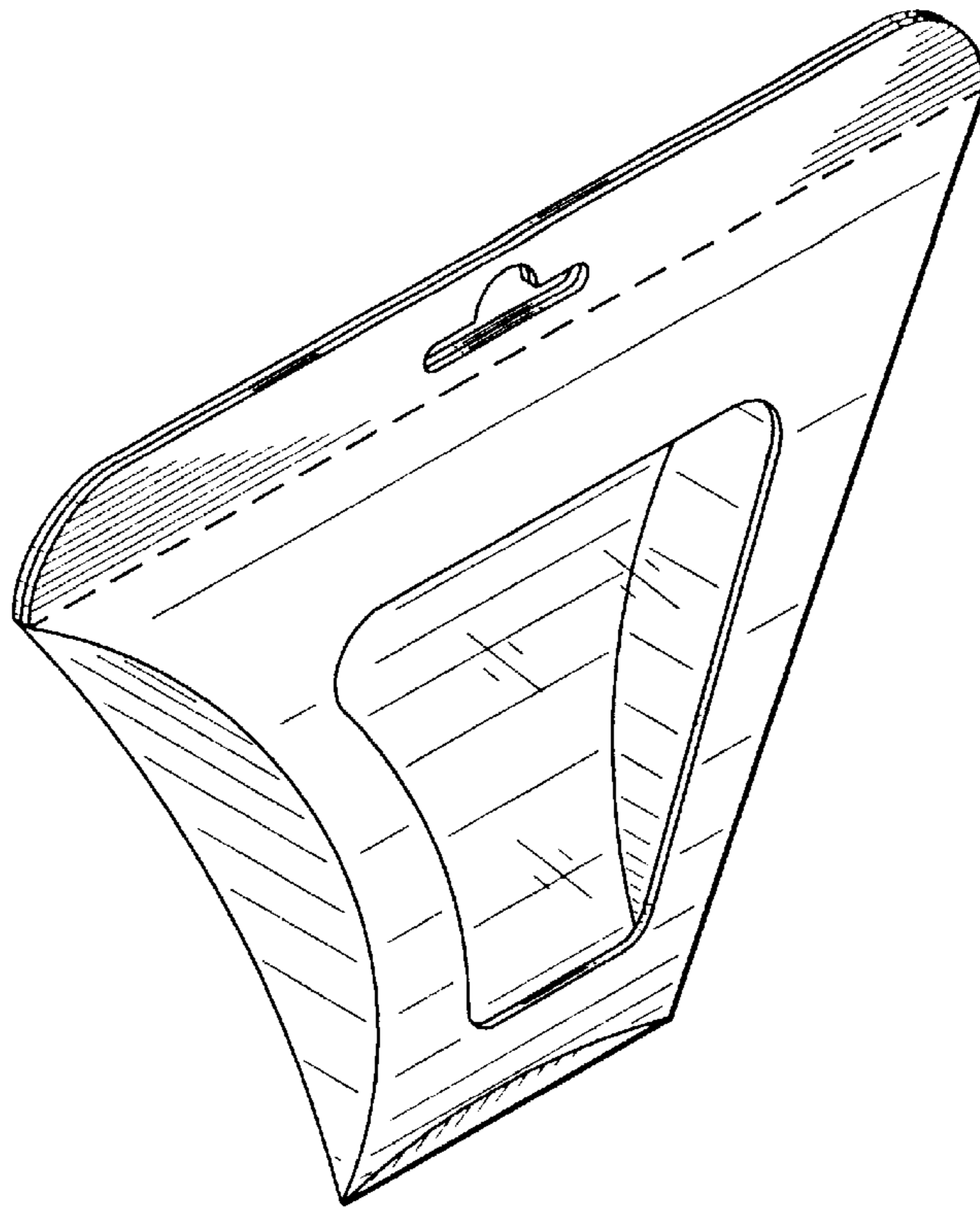
The ornamental design for a foldable container, as shown and described.

**DESCRIPTION**

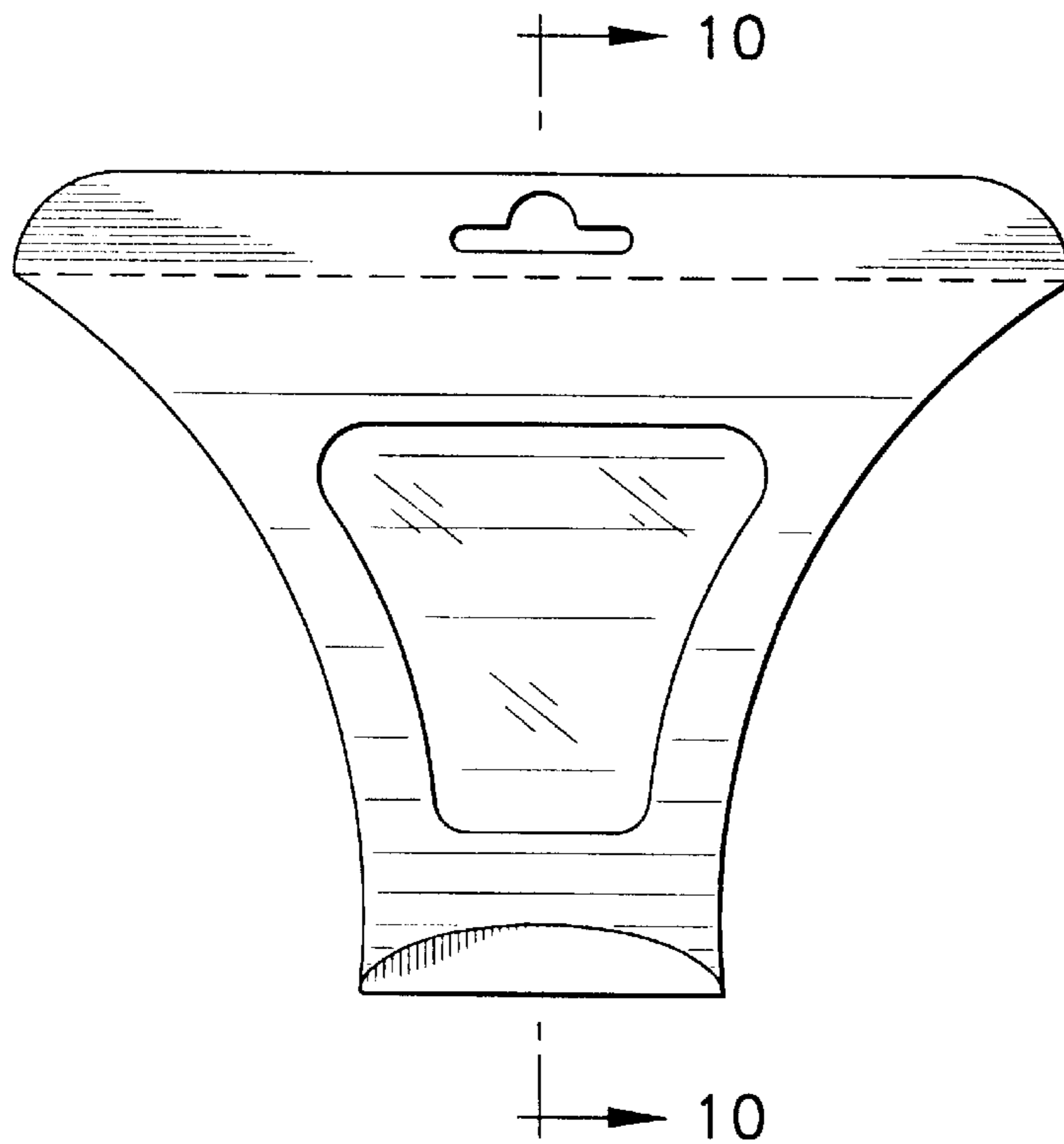
FIG. 1 is a perspective view of a foldable container showing my new design;  
 FIG. 2 is a front elevational view thereof;  
 FIG. 3 is a rear elevational view thereof;  
 FIG. 4 is a top plan view thereof;  
 FIG. 5 is a bottom plan view thereof;  
 FIG. 6 is a right side elevational view thereof, the opposite side being a mirror image;  
 FIG. 7 is a front elevational view of the foldable container shown in an unexpanded condition;  
 FIG. 8 is a rear elevational view thereof;  
 FIG. 9 is a front and rear view of the foldable container shown in an unfolded condition;  
 FIG. 10 is a cross-sectional view of a second alternative embodiment of the foldable container; and,  
 FIG. 11 is a front elevational view thereof.

**1 Claim, 5 Drawing Sheets**

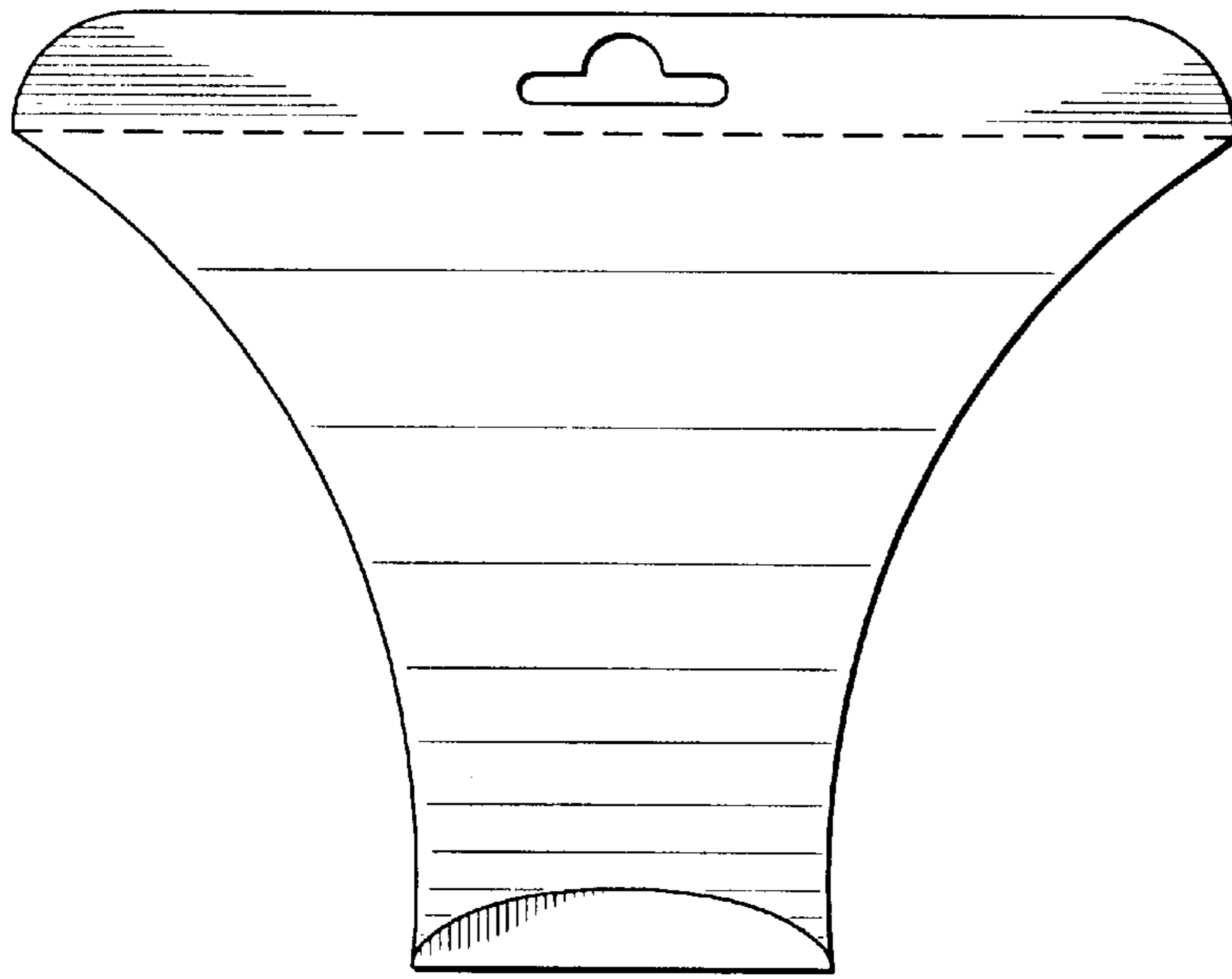




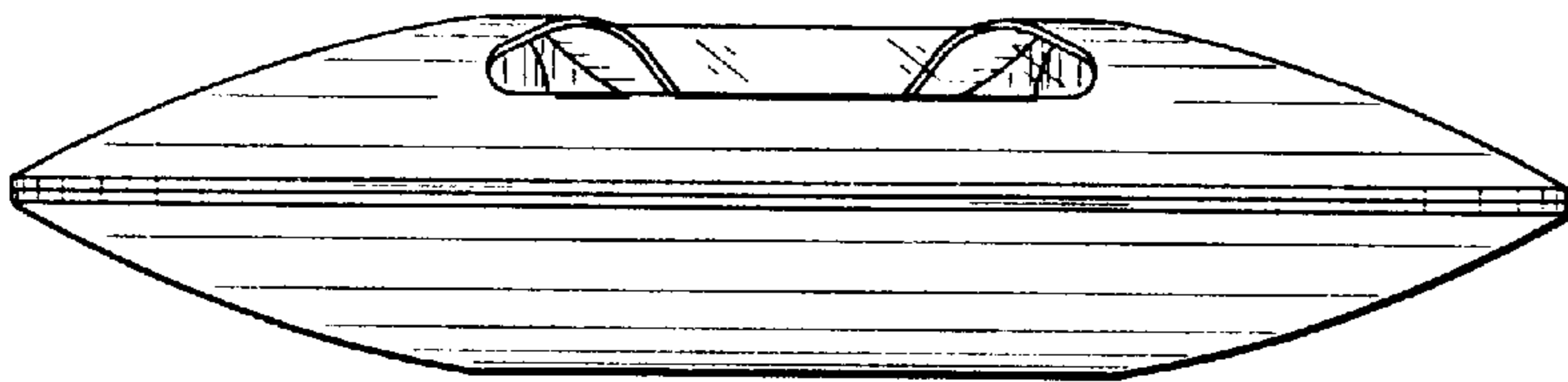
*FIG. 1*



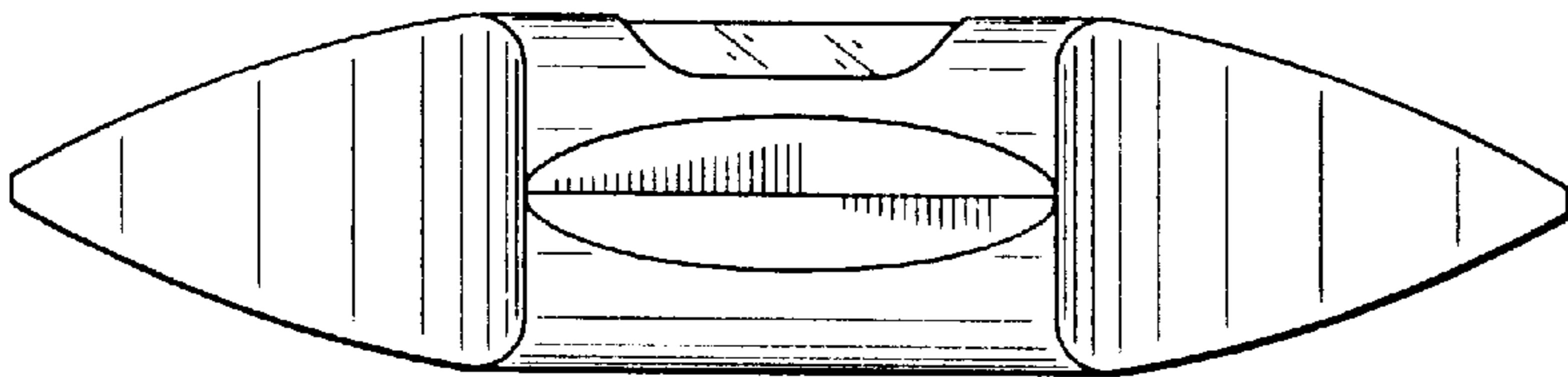
*FIG. 2*



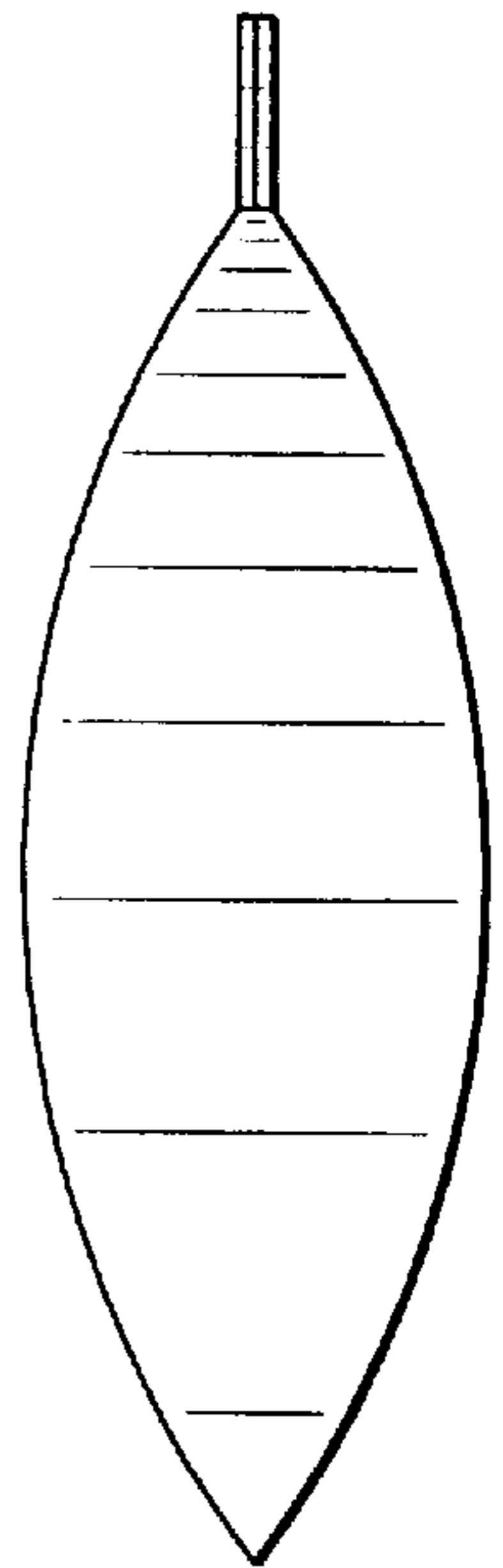
*FIG. 3*



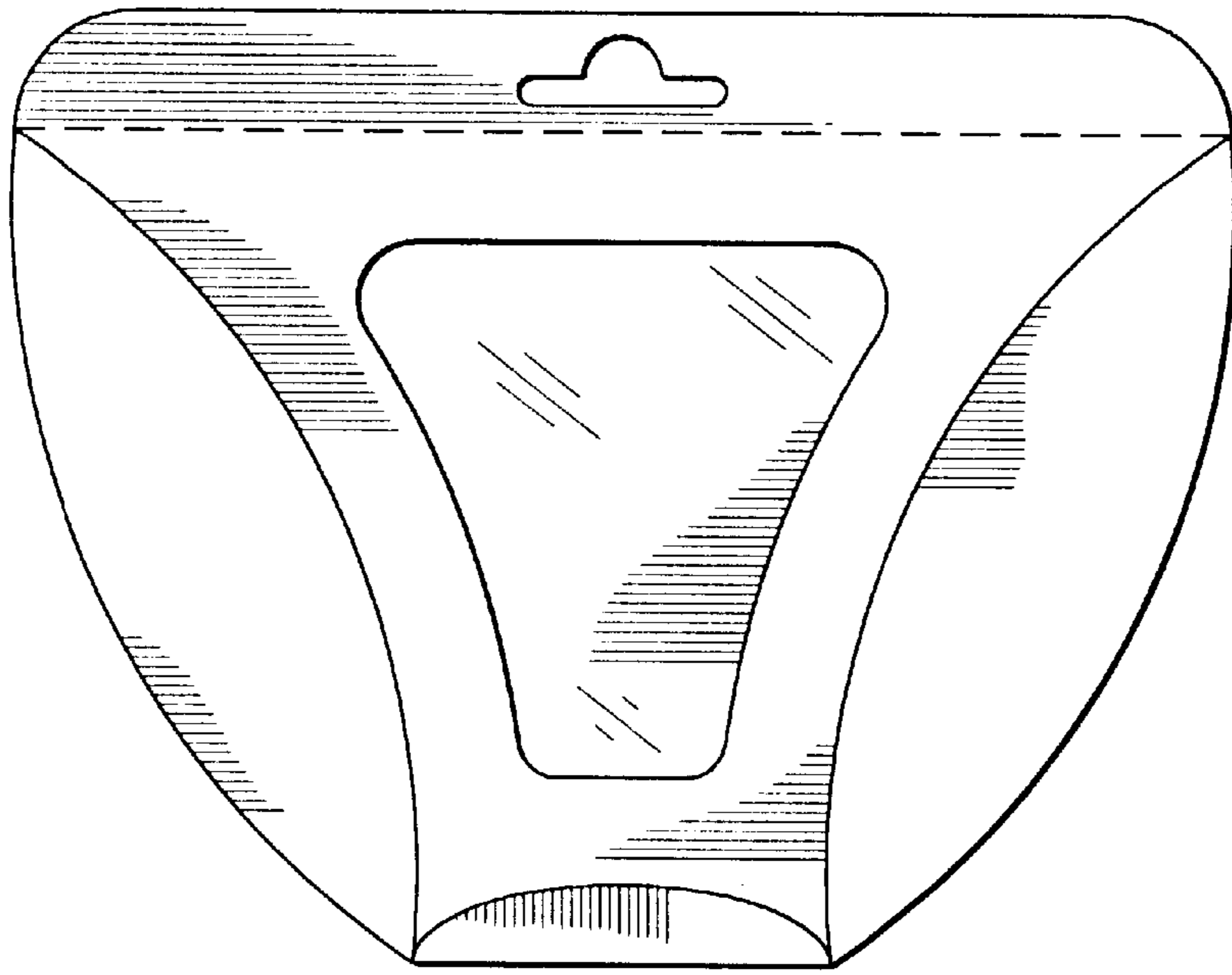
*FIG. 4*



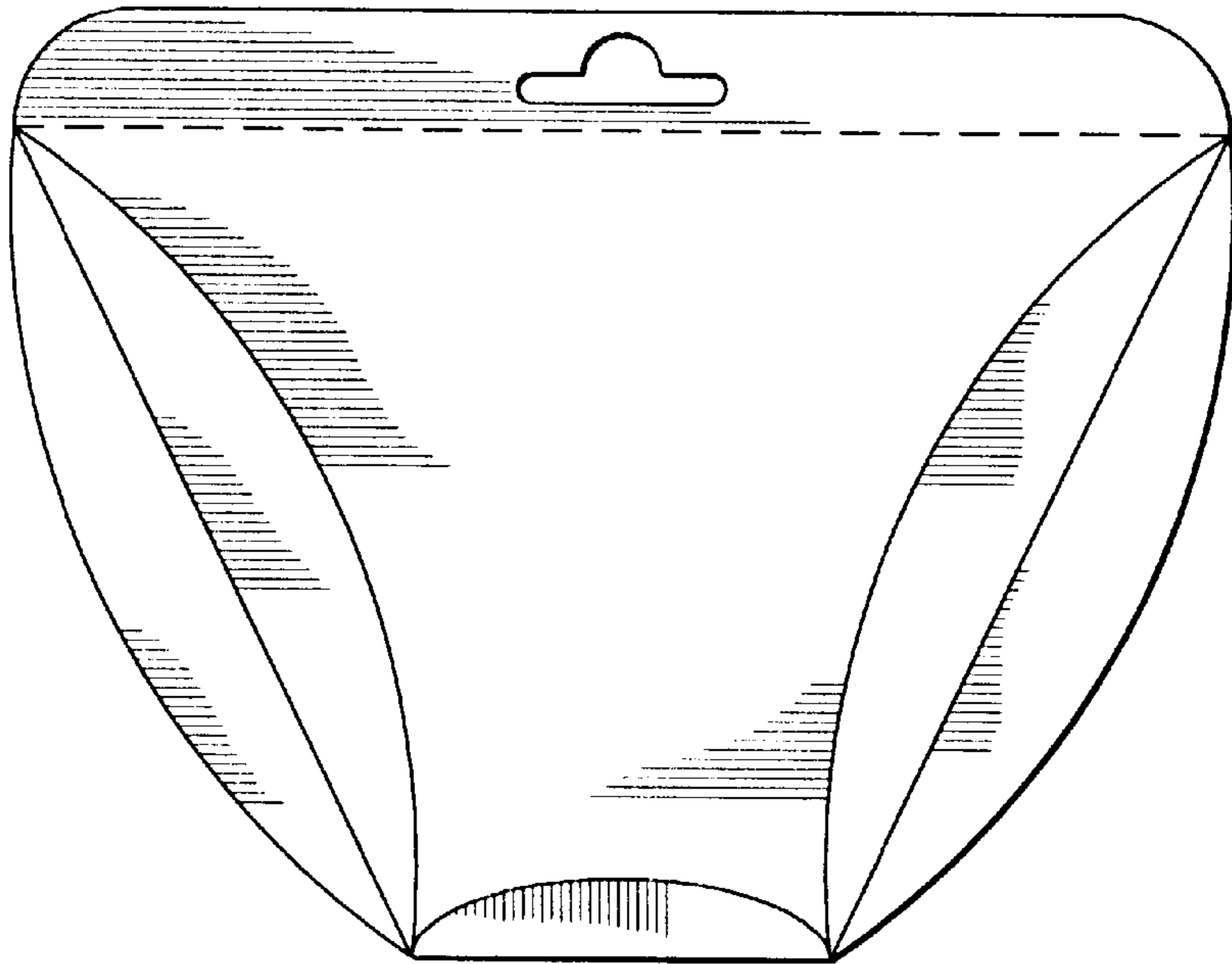
*FIG. 5*



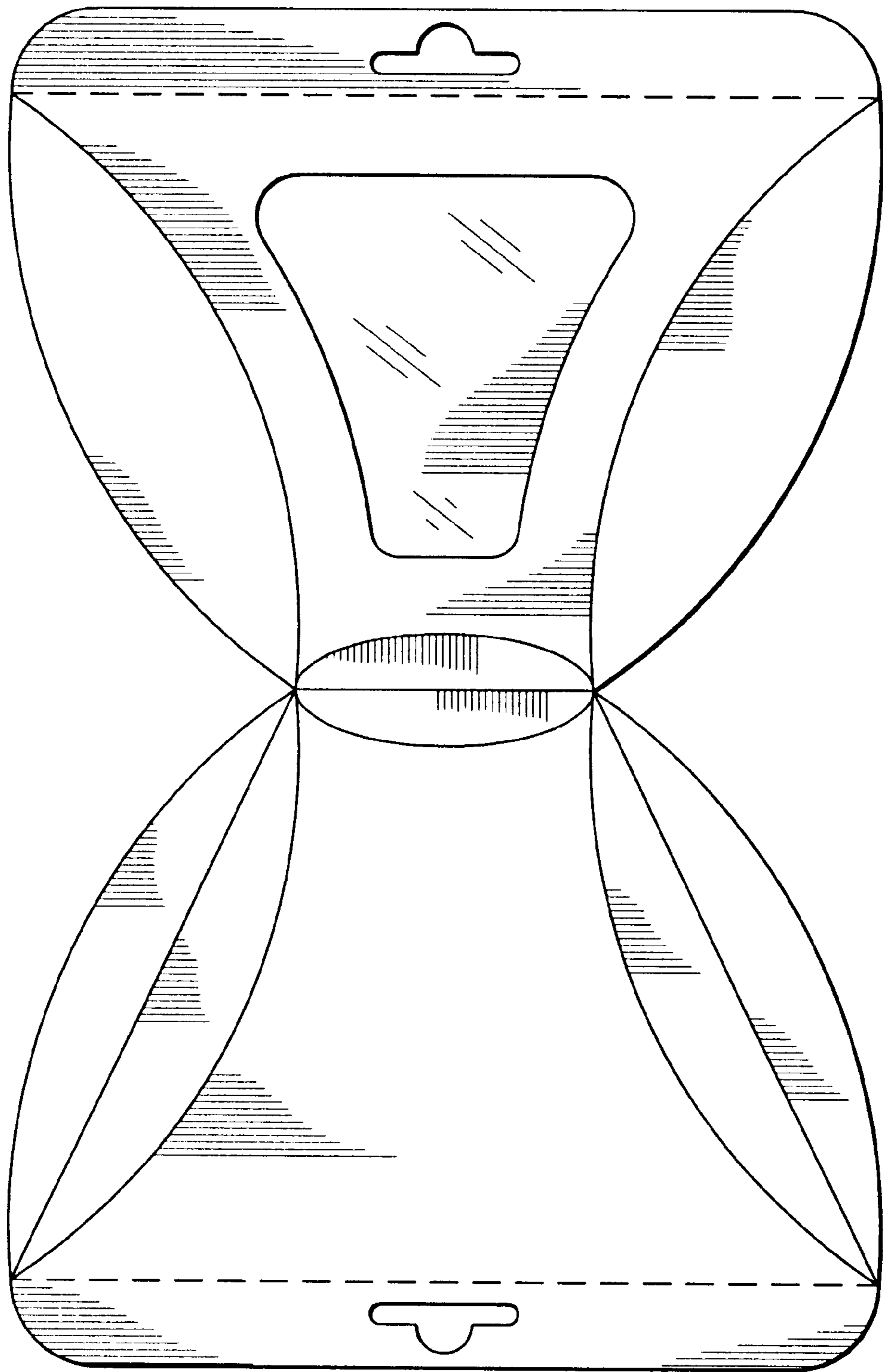
*FIG. 6*



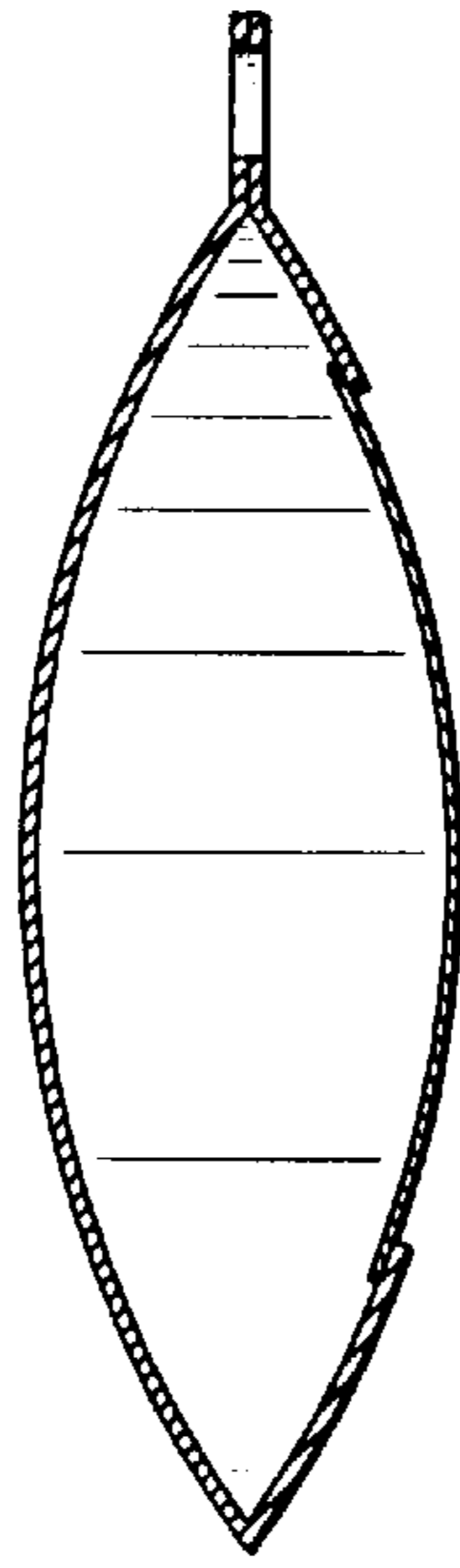
*FIG. 7*



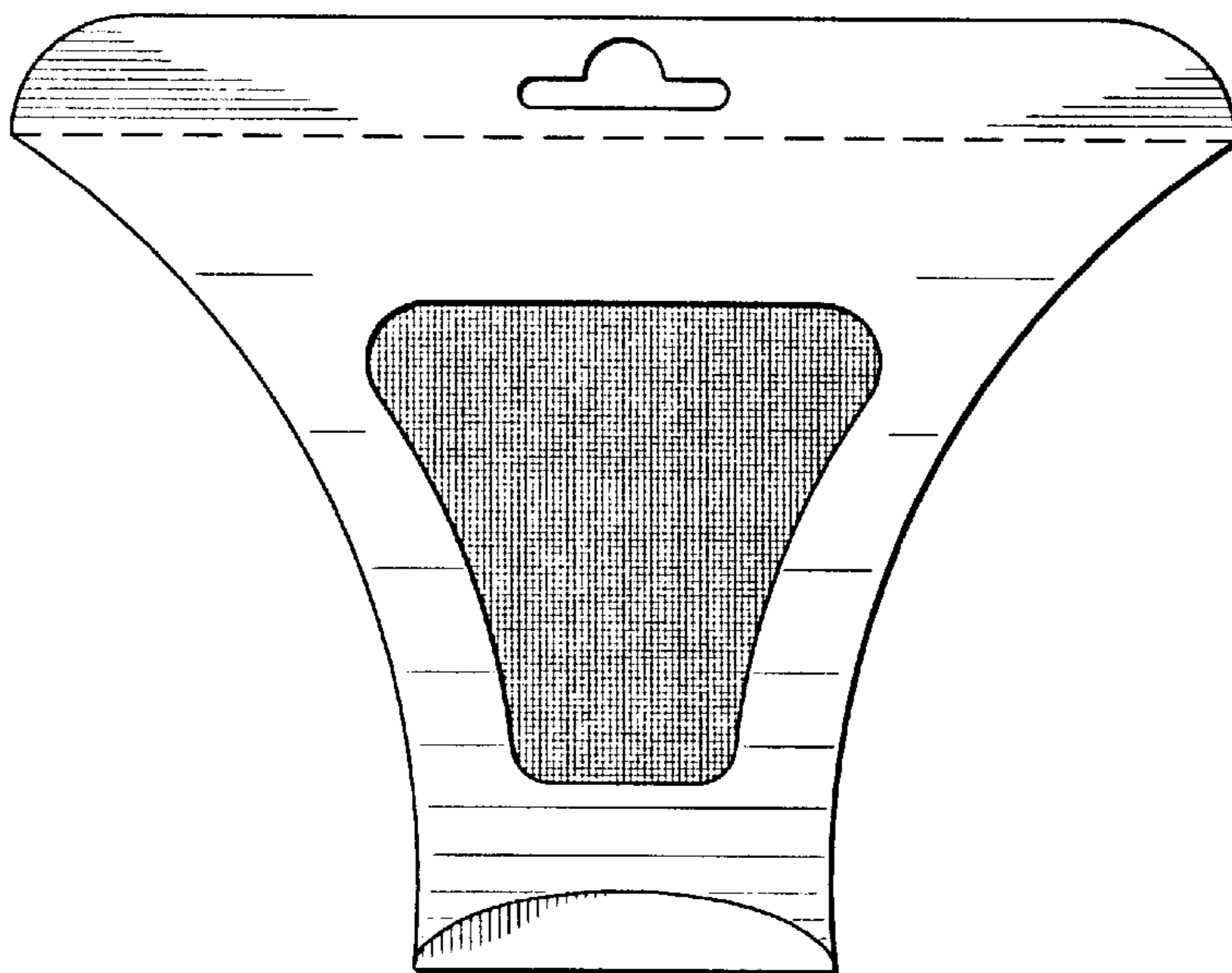
*FIG. 8*



*FIG. 9*



*FIG. 10*



*FIG. 11*