



US00D411101S

United States Patent [19] Stickney

[11] Patent Number: **Des. 411,101**

[45] Date of Patent: **** Jun. 15, 1999**

[54] **OXYGEN BOTTLE**

4,917,081	4/1990	Bartos	128/205.12
5,318,019	6/1994	Celaya	128/204.26
5,749,502	5/1998	Hinds	222/401

[76] Inventor: **Bret Stickney**, 1425 Alta Vista Blvd.,
Hollywood, Calif. 90046

[**] Term: **14 Years**

Primary Examiner—Doris V. Coles
Assistant Examiner—Cathron B. Matta
Attorney, Agent, or Firm—Goldstein & Canino

[21] Appl. No.: **29/090,069**

[57] **CLAIM**

[22] Filed: **Jun. 29, 1998**

The ornamental design for an oxygen bottle, as shown and described.

[51] **LOC (6) Cl.** **09-01**

[52] **U.S. Cl.** **D9/300; D9/335**

[58] **Field of Search** D9/300, 500, 516,
D9/549, 447, 448, 335; D24/108, 110, 110.5,
121; D29/108; 222/402.1, 402.13, 402.15;
128/202.26, 204.18, 204.26, 205.12, 205.24

DESCRIPTION

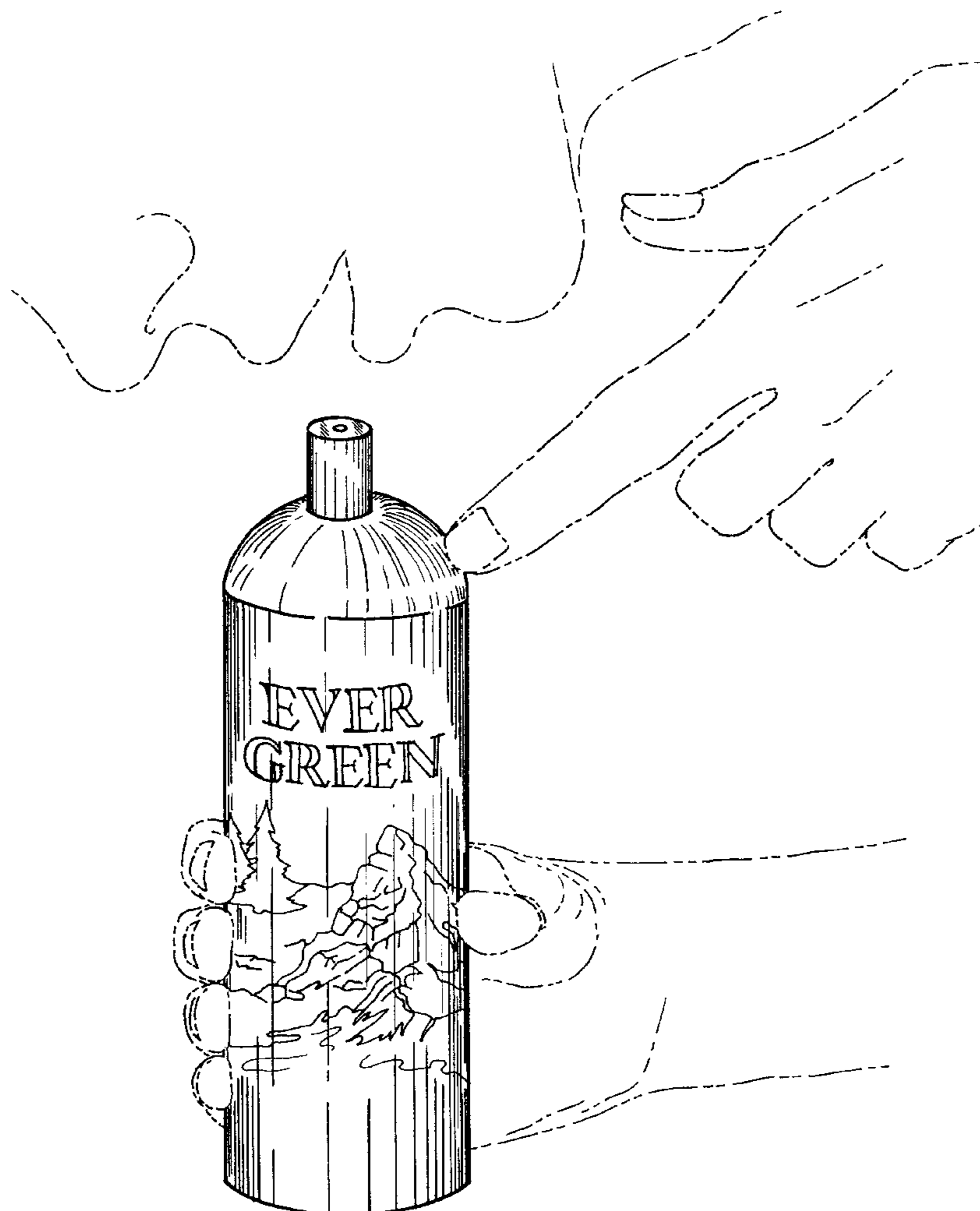
[56] **References Cited**

U.S. PATENT DOCUMENTS

D. 337,044	7/1993	Pronchick	D9/300 X
D. 342,809	12/1993	Thomas	D9/300 X
4,362,153	12/1982	Wilson et al.	128/202.26
4,409,978	10/1983	Bartos	128/205.12
4,448,316	5/1984	Hiroshige	D9/447 X

FIG. 1 is a perspective view of the oxygen bottle with portions of a person shown in broken lines for illustrative purposes only and forming no part of the claimed design. FIG. 2 is a front elevational view thereof. FIG. 3 is a rear elevational view thereof. FIG. 4 is a top plan view of the oxygen bottle. FIG. 5 is a bottom plan view thereof. FIG. 6 is a right side elevational view thereof; and, FIG. 7 is a left side elevational view thereof.

1 Claim, 3 Drawing Sheets



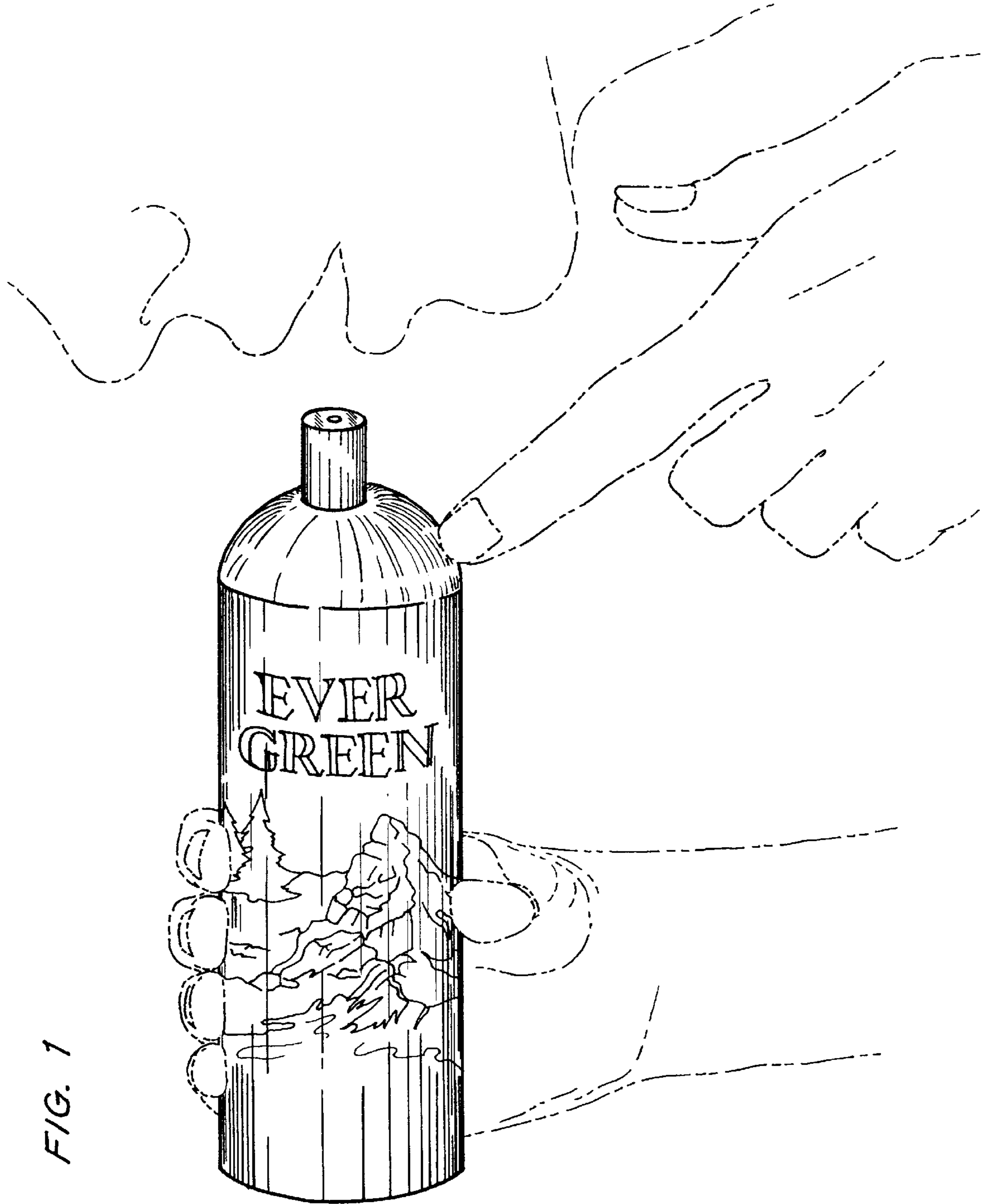


FIG. 1

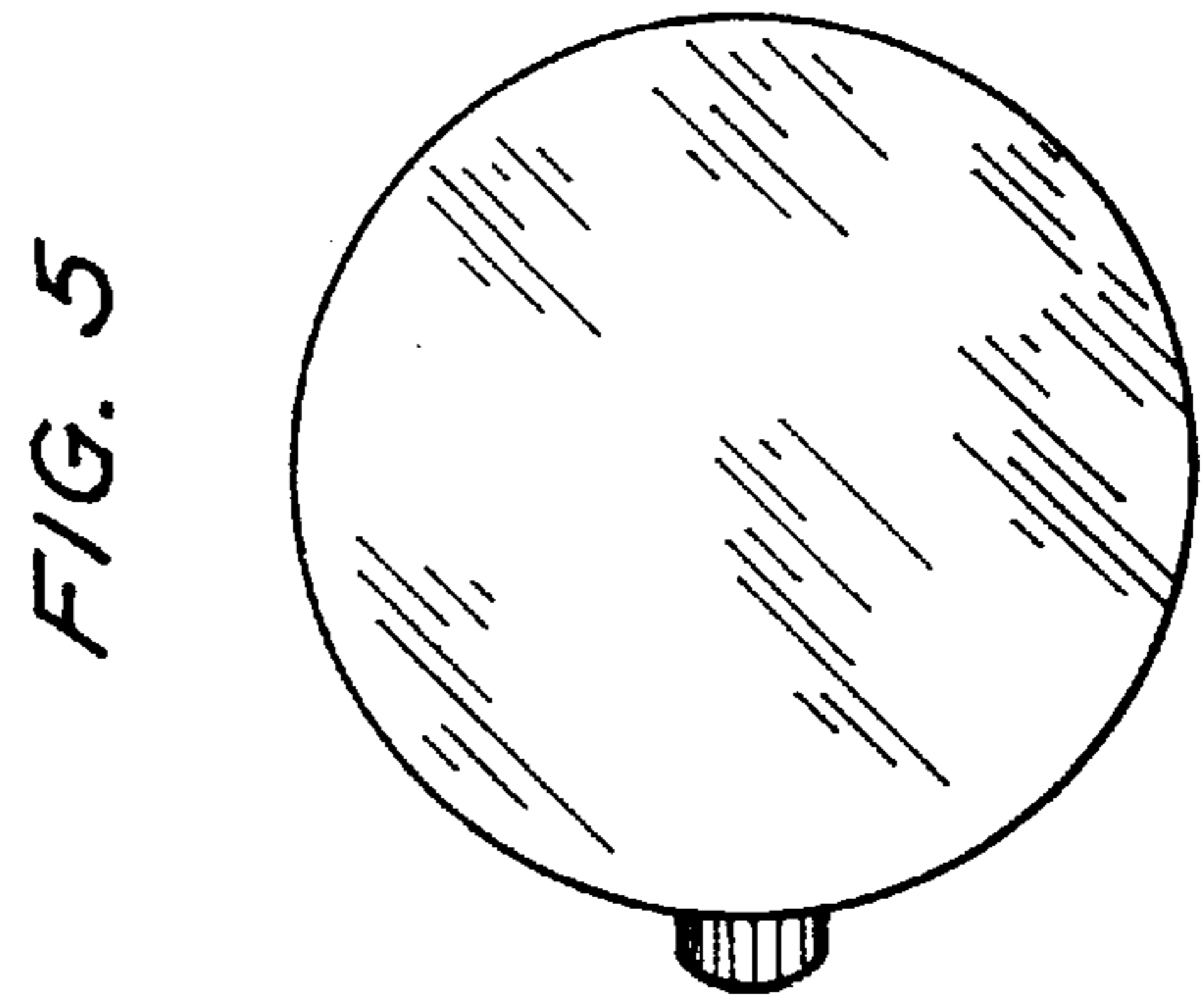
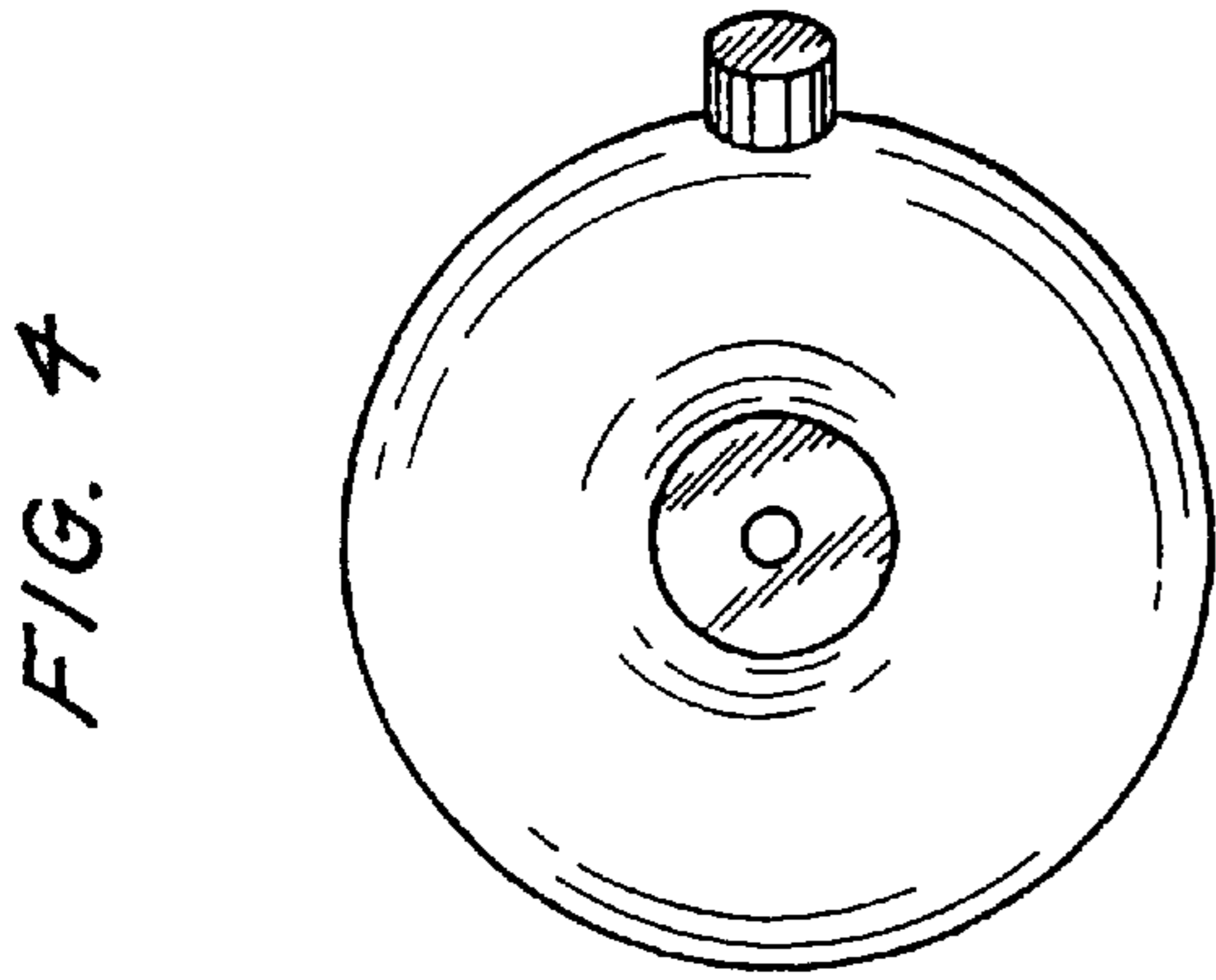


FIG. 3

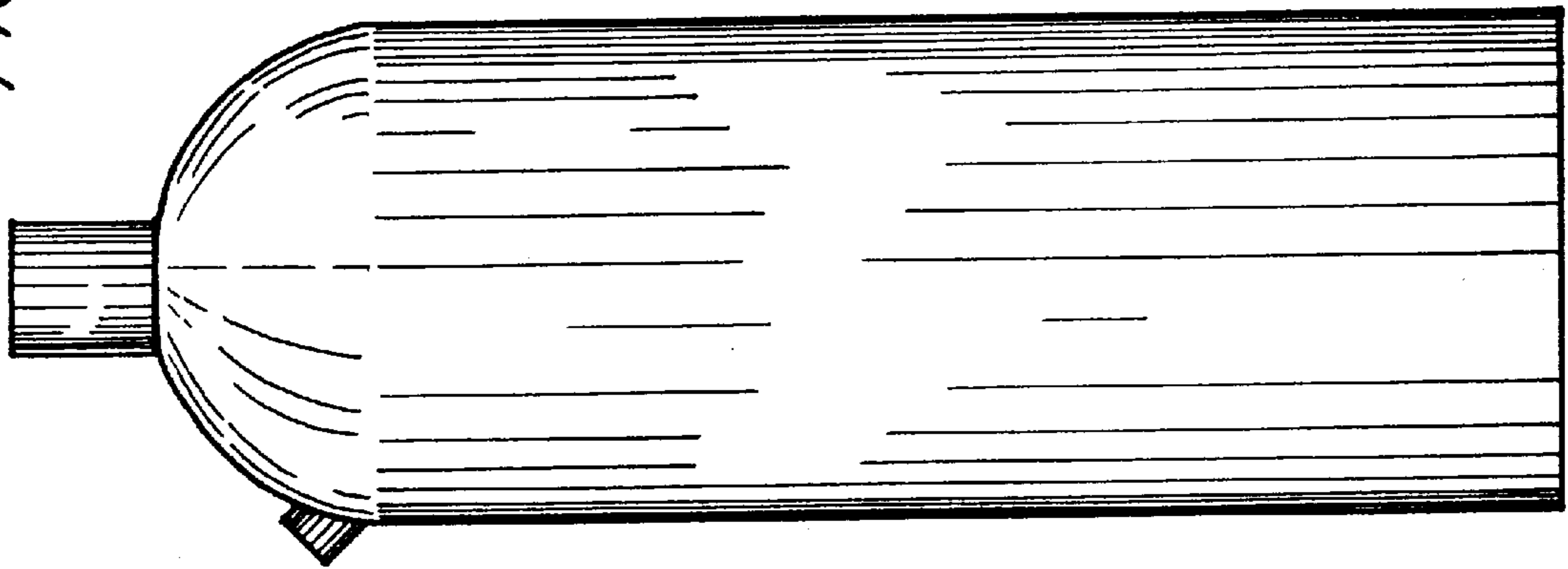


FIG. 2



FIG. 6

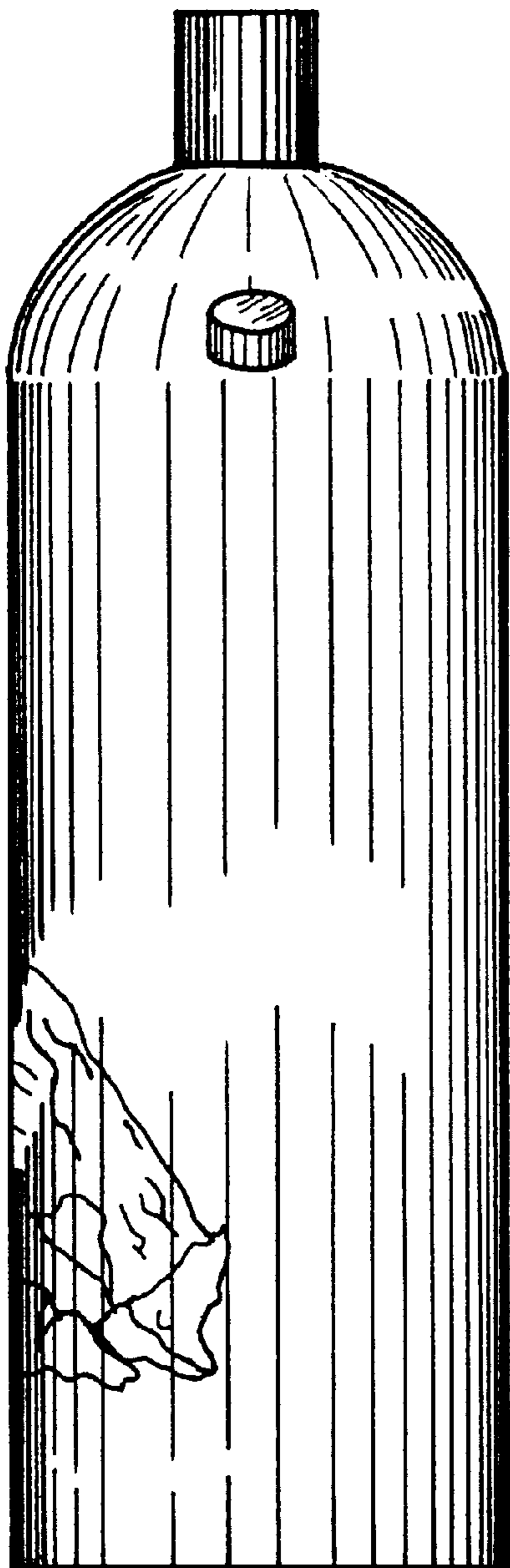


FIG. 7

