



US00D411099S

# United States Patent [19] Smith

[11] **Patent Number: Des. 411,099**

[45] **Date of Patent: \*\* Jun. 15, 1999**

[54] **MULTIPLE TIE DOWN HOOK**

1,073,226 9/1913 Freeman .

[75] Inventor: **Lonnie M. Smith**, St. Louis, Mo.

*Primary Examiner*—Holly Baynham  
*Attorney, Agent, or Firm*—Paul M. Denk

[73] Assignee: **S & J Metal Manufacturing, Inc.**,  
Cuba, Mo.

[\*\*] Term: **14 Years**

[57] **CLAIM**

The ornamental design for the multiple tie down hook, as shown.

[21] Appl. No.: **29/093,240**

[22] Filed: **Sep. 4, 1998**

**DESCRIPTION**

[51] **LOC (6) Cl.** ..... **08-05**

[52] **U.S. Cl.** ..... **D8/367**

[58] **Field of Search** ..... D8/367; 248/499,  
248/301, 302, 303, 304, 339

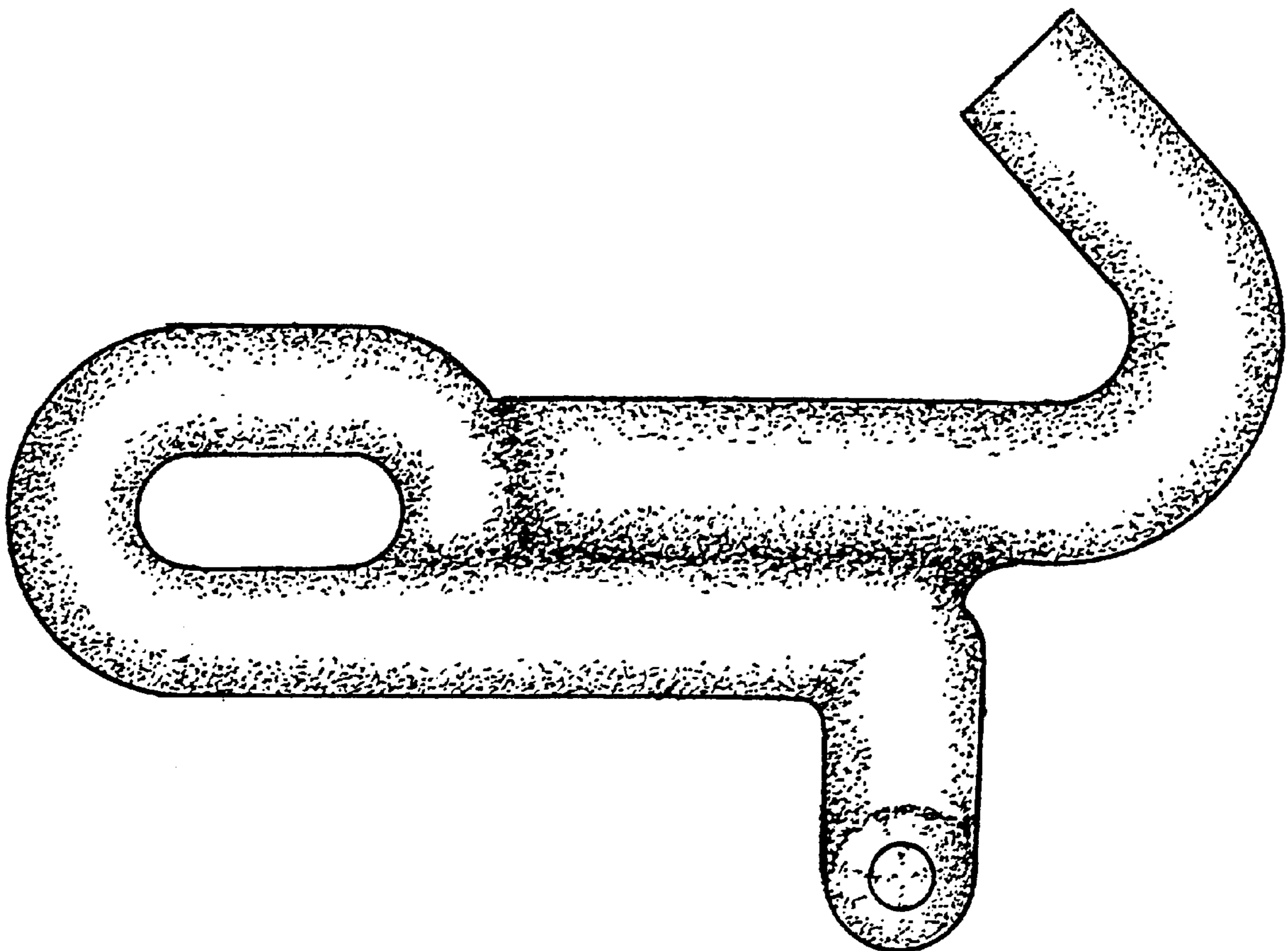
FIG. 1 provides a side view of the multiple tie-down hook;  
FIG. 2 provides a bottom view thereof;  
FIG. 3 is a top view thereof;  
FIG. 4 is an opposite side view;  
FIG. 5 is an end view; and,  
FIG. 6 is an opposite view.

[56] **References Cited**

**U.S. PATENT DOCUMENTS**

D. 273,176 3/1984 Abbott ..... D8/356

**1 Claim, 2 Drawing Sheets**



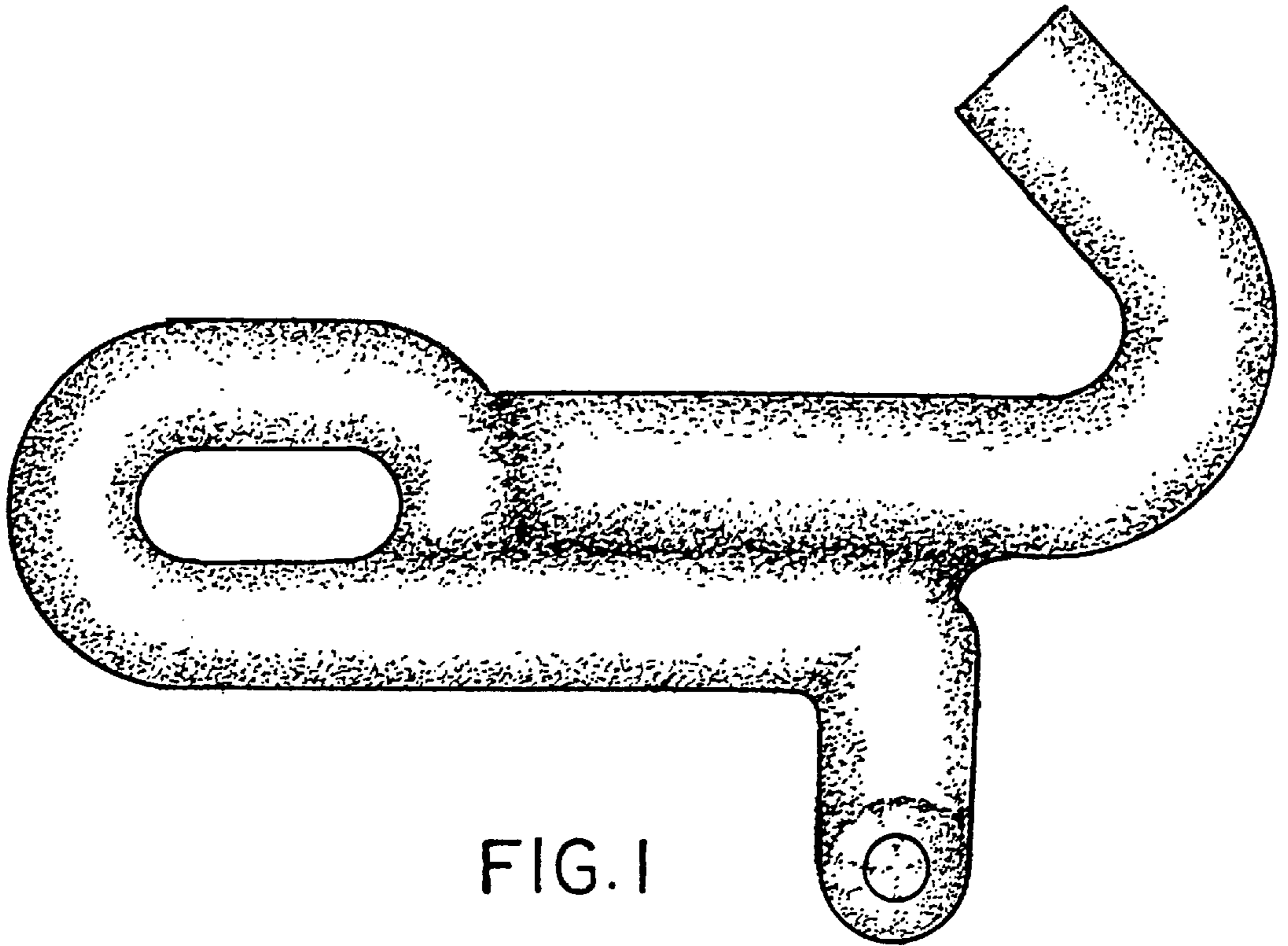


FIG. 1

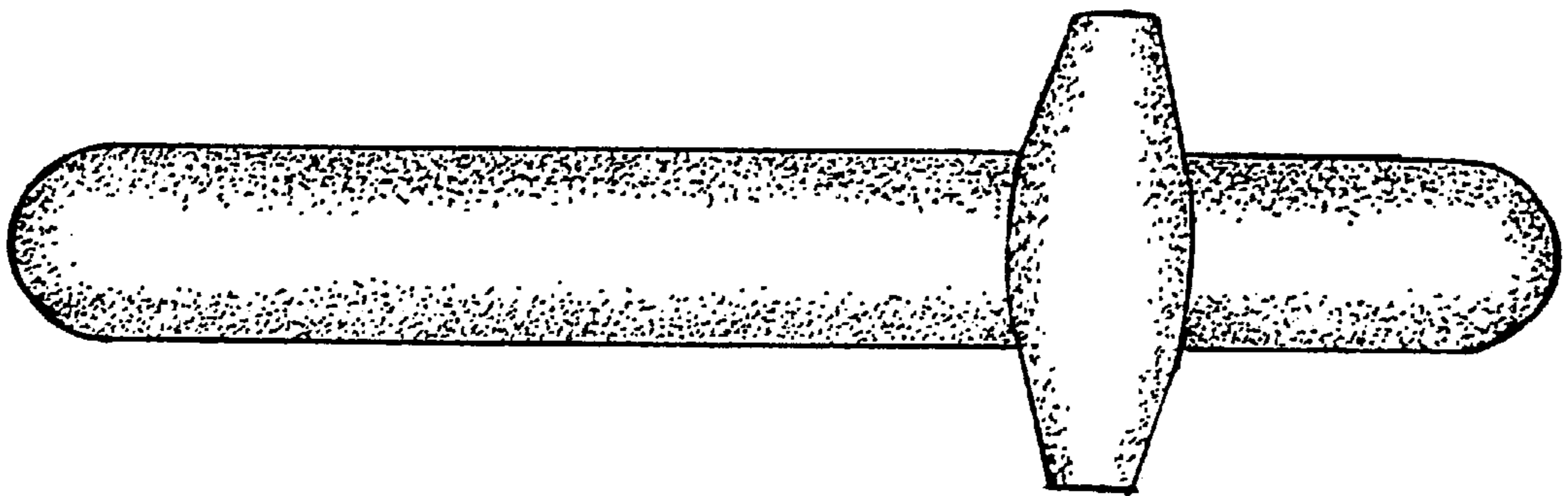


FIG. 2

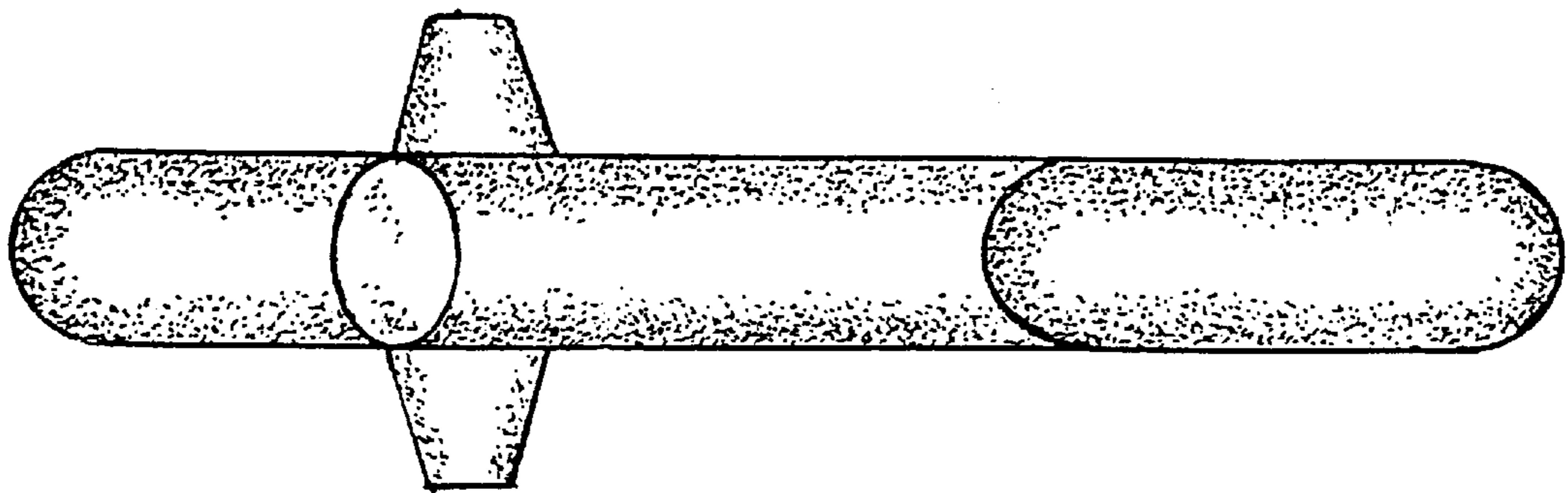


FIG. 3

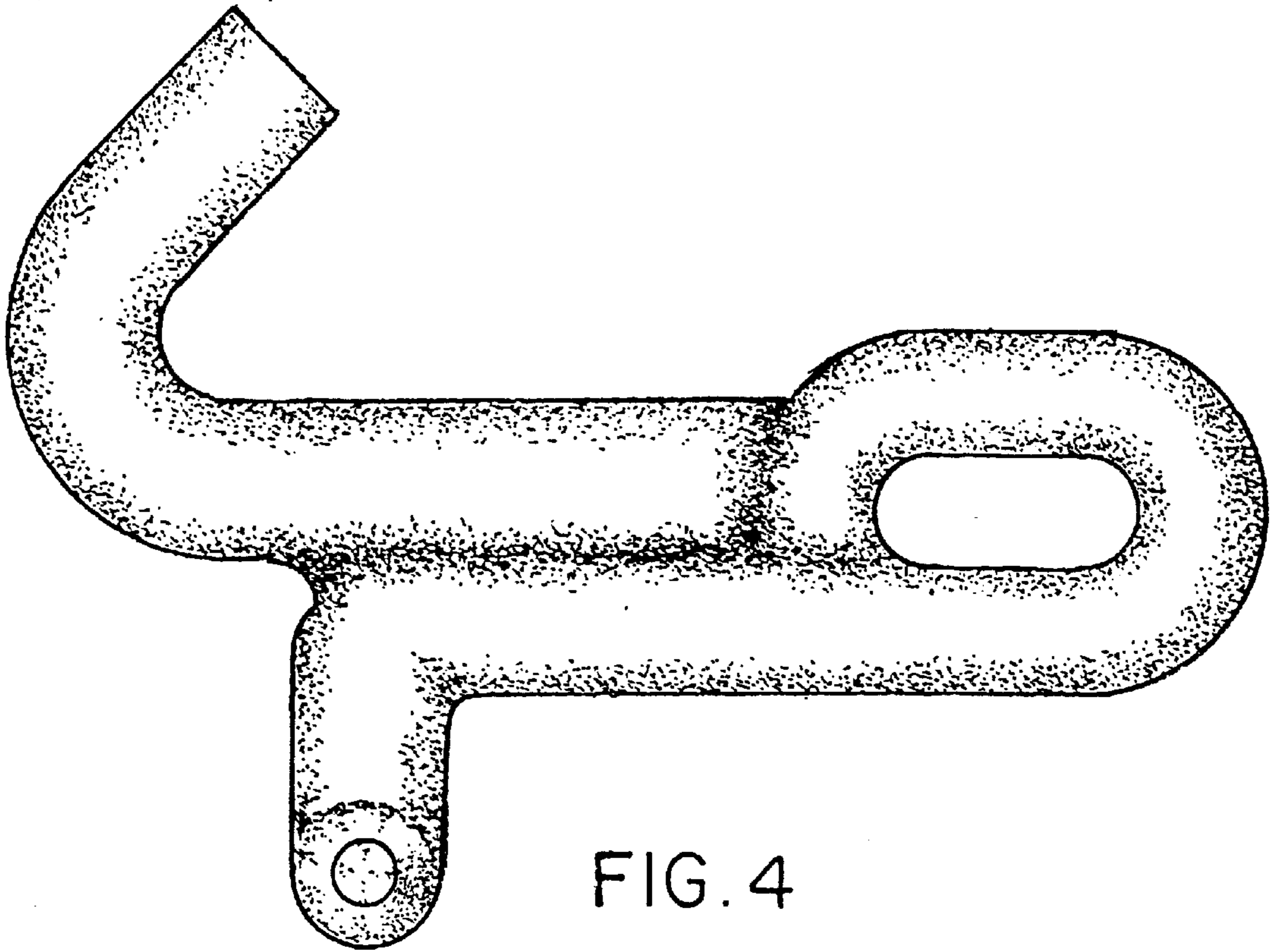


FIG. 4

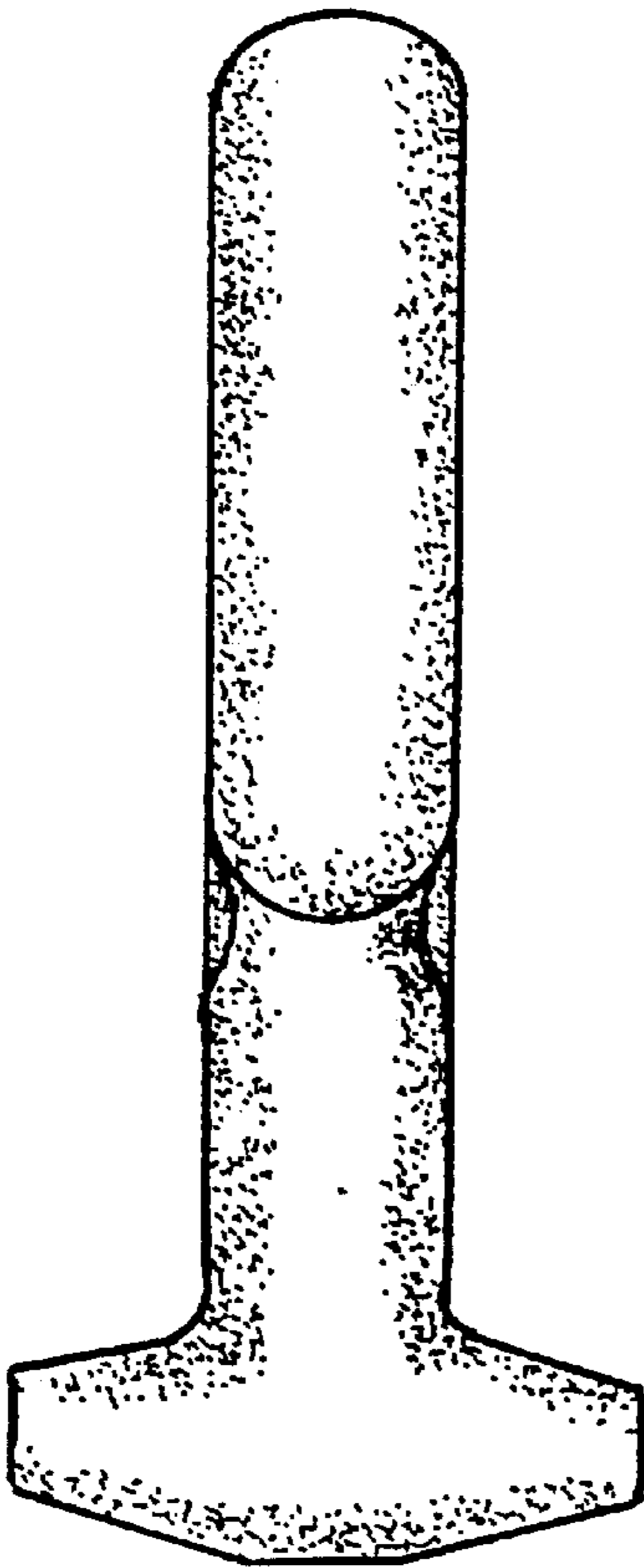


FIG. 5

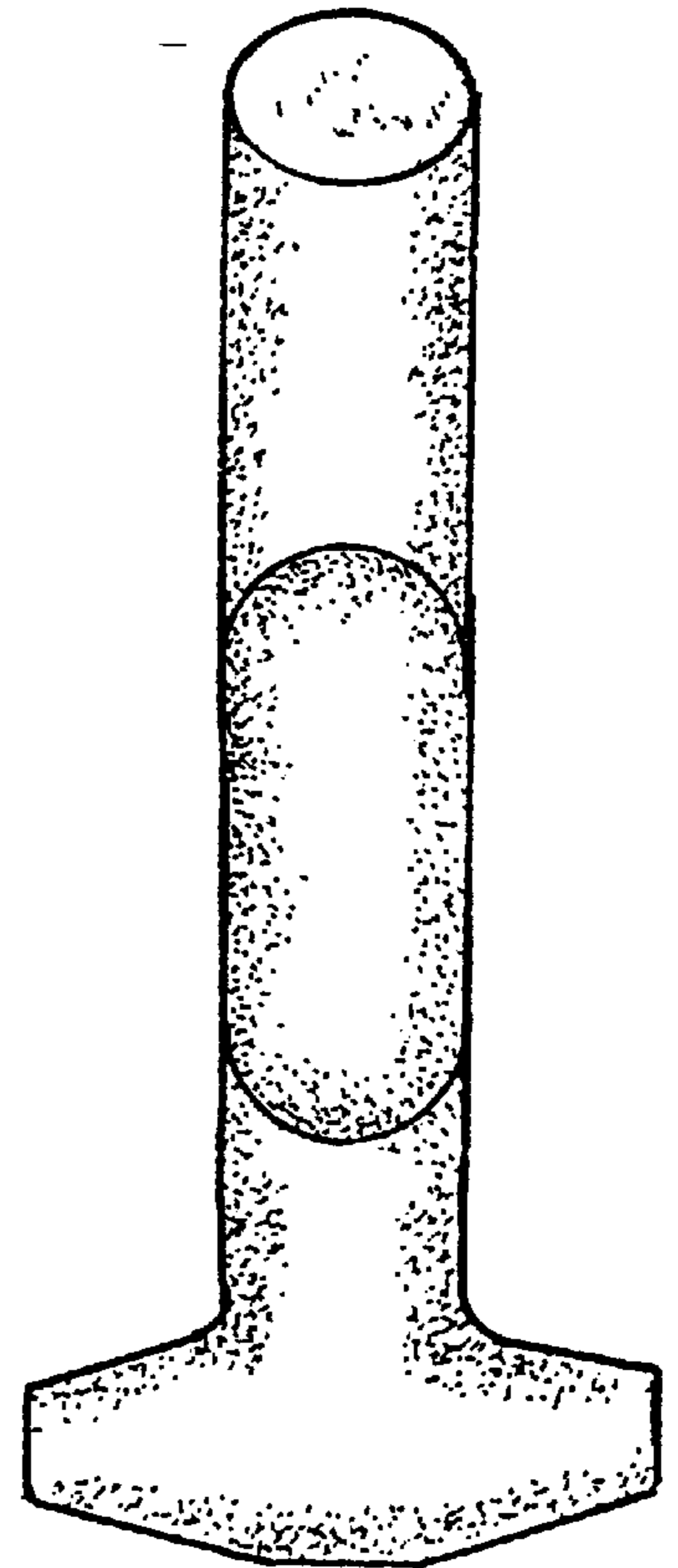


FIG. 6