



US00D411098S

United States Patent [19] Vogels

[11] Patent Number: **Des. 411,098**

[45] Date of Patent: **** Jun. 15, 1999**

[54] **TV SUPPORT**

[75] Inventor: **Henricus Hyacinthus Vogels,**
Eindhoven, Netherlands

[73] Assignee: **Vogel's Holding B.V.,** Eindhoven,
Netherlands

[**] Term: **14 Years**

[21] Appl. No.: **29/088,317**

[22] Filed: **May 20, 1998**

[30] **Foreign Application Priority Data**

Dec. 10, 1997 [XH] Hague Agreement DMA/003947

[51] **LOC (6) Cl.** **08-05**

[52] **U.S. Cl.** **D8/363**

[58] **Field of Search** D8/363, 354, 373,
D8/380; D6/553, 567; 248/670, 220.2, 235,
241, 274, 284, 281.1, 291, 312; 211/96-100

[56] **References Cited**

U.S. PATENT DOCUMENTS

D. 320,928 10/1991 Boscacci et al. D8/363

D. 349,640 8/1994 Whitaker D8/363
D. 352,652 11/1994 Vogels D8/363
D. 379,144 5/1997 Hunter et al. D8/363
D. 379,426 5/1997 Vogels D8/363

Primary Examiner—Brian N. Vinson
Attorney, Agent, or Firm—Ladas & Parry

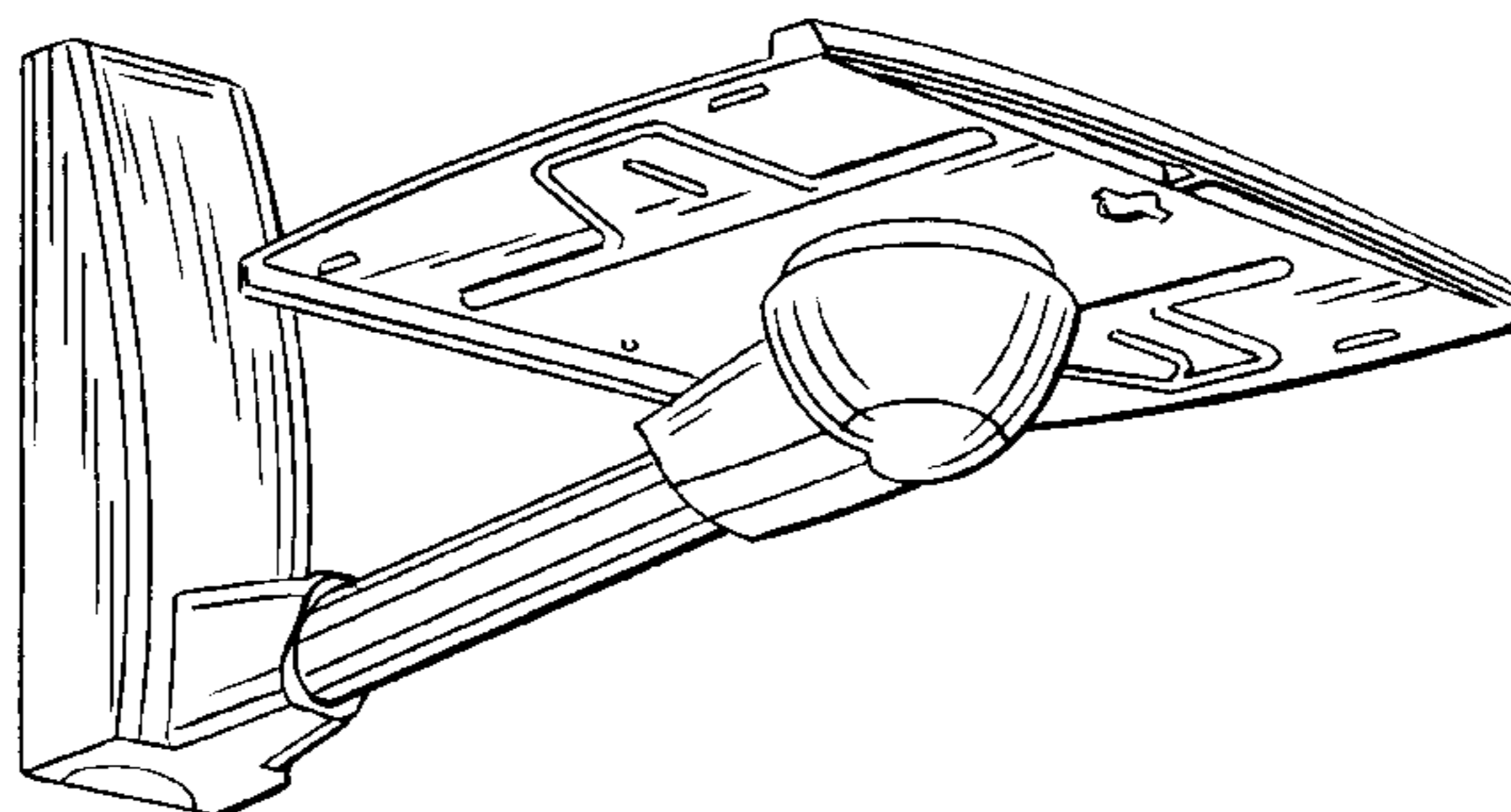
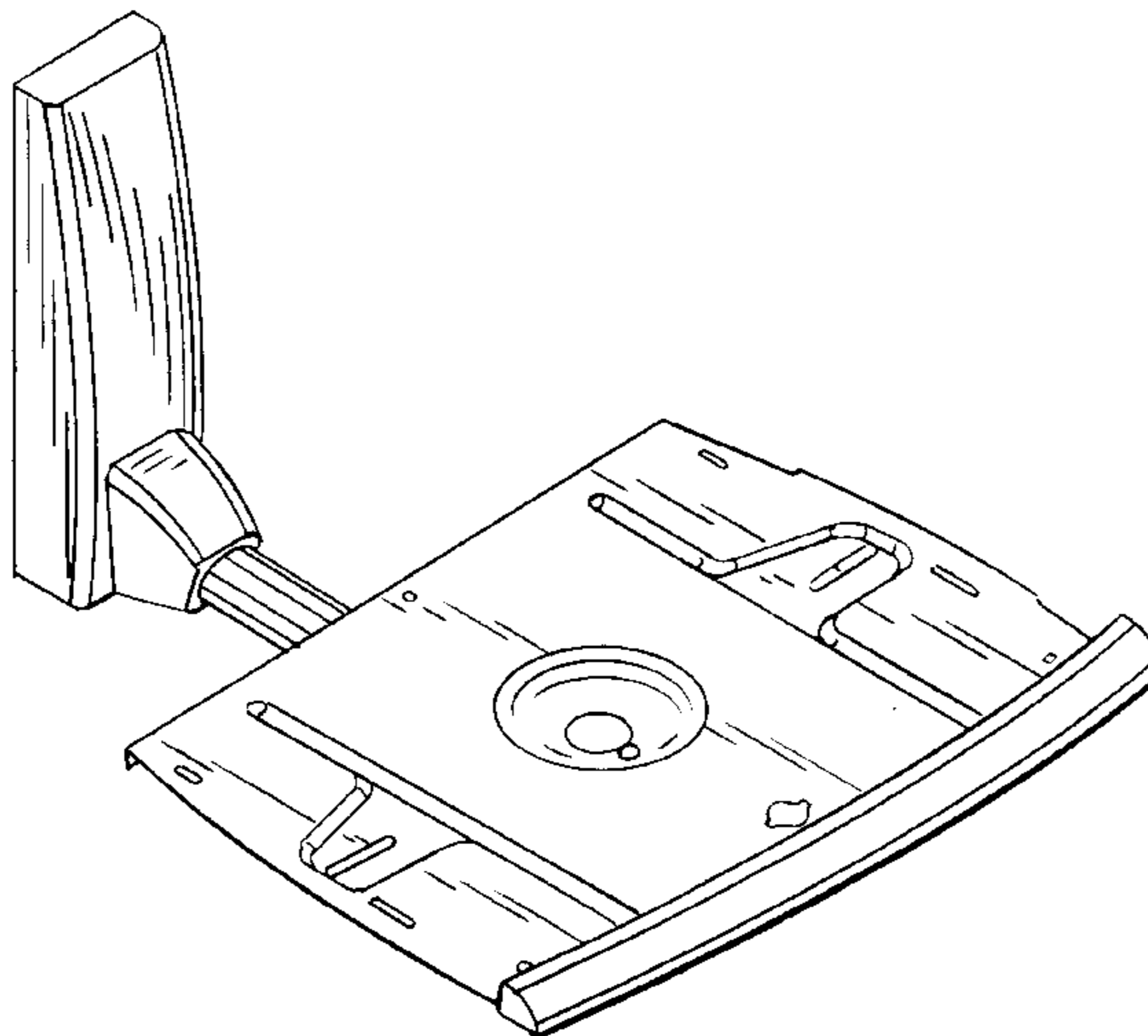
[57] **CLAIM**

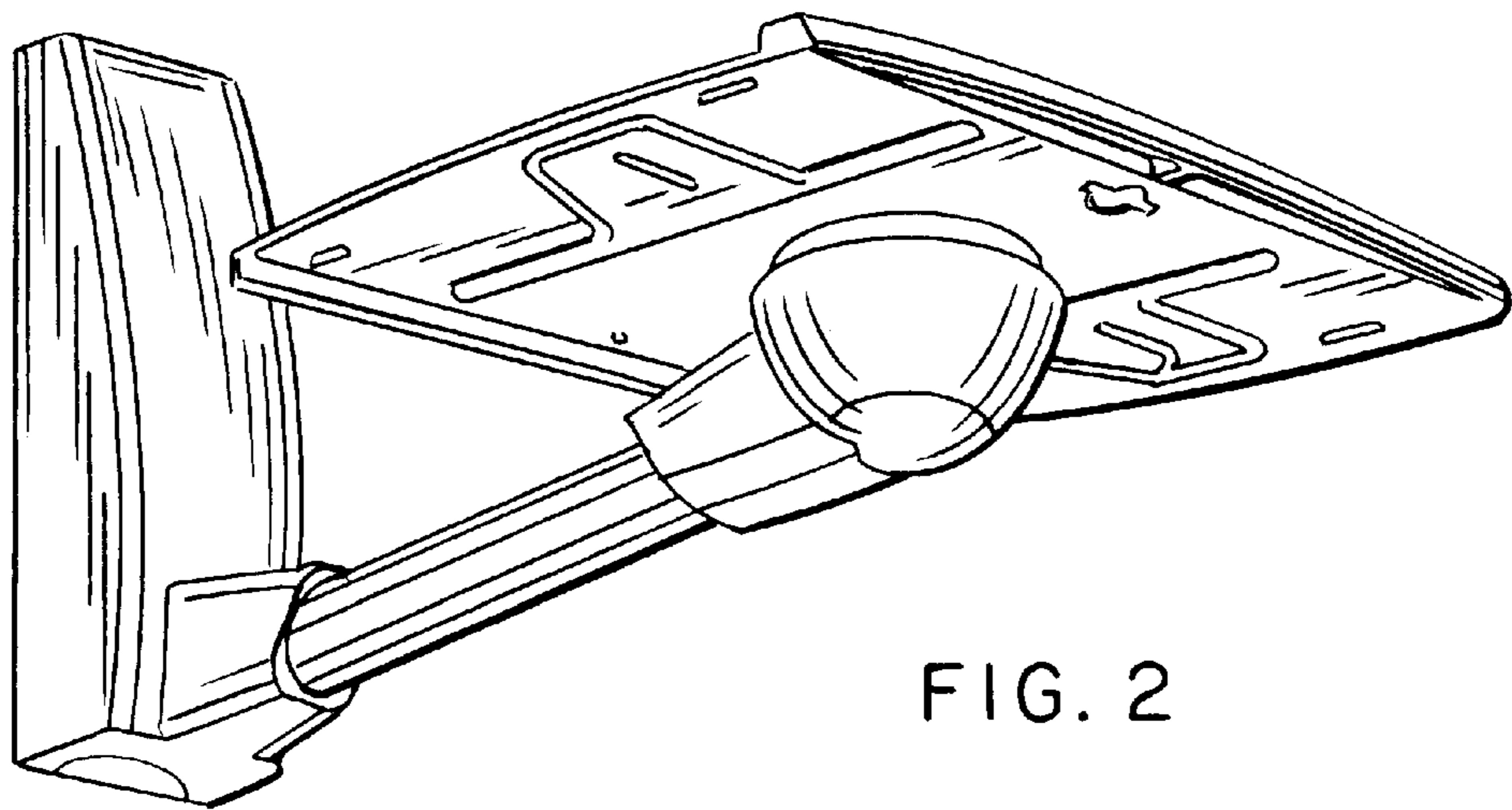
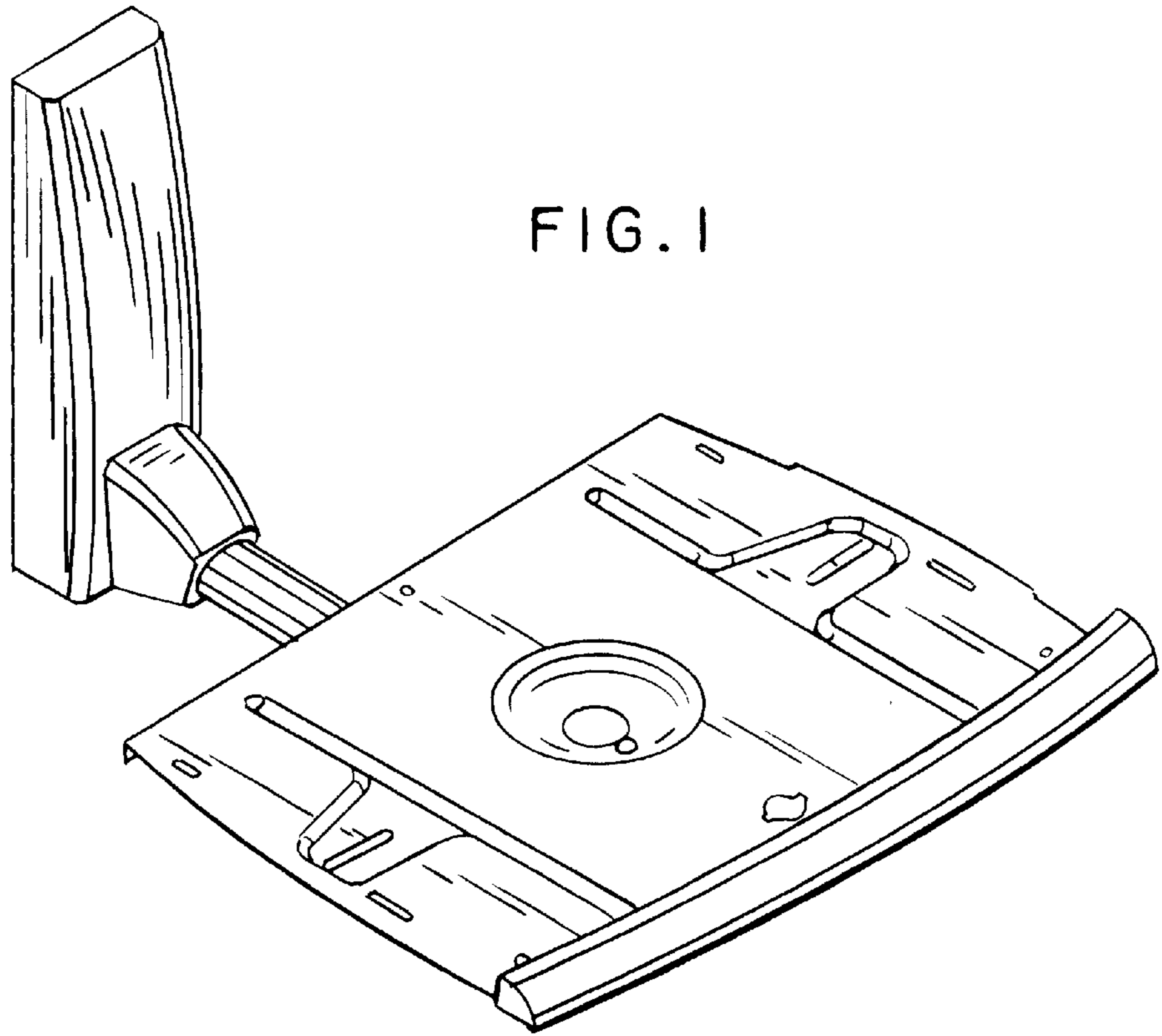
The ornamental design for a “TV support”, as shown.

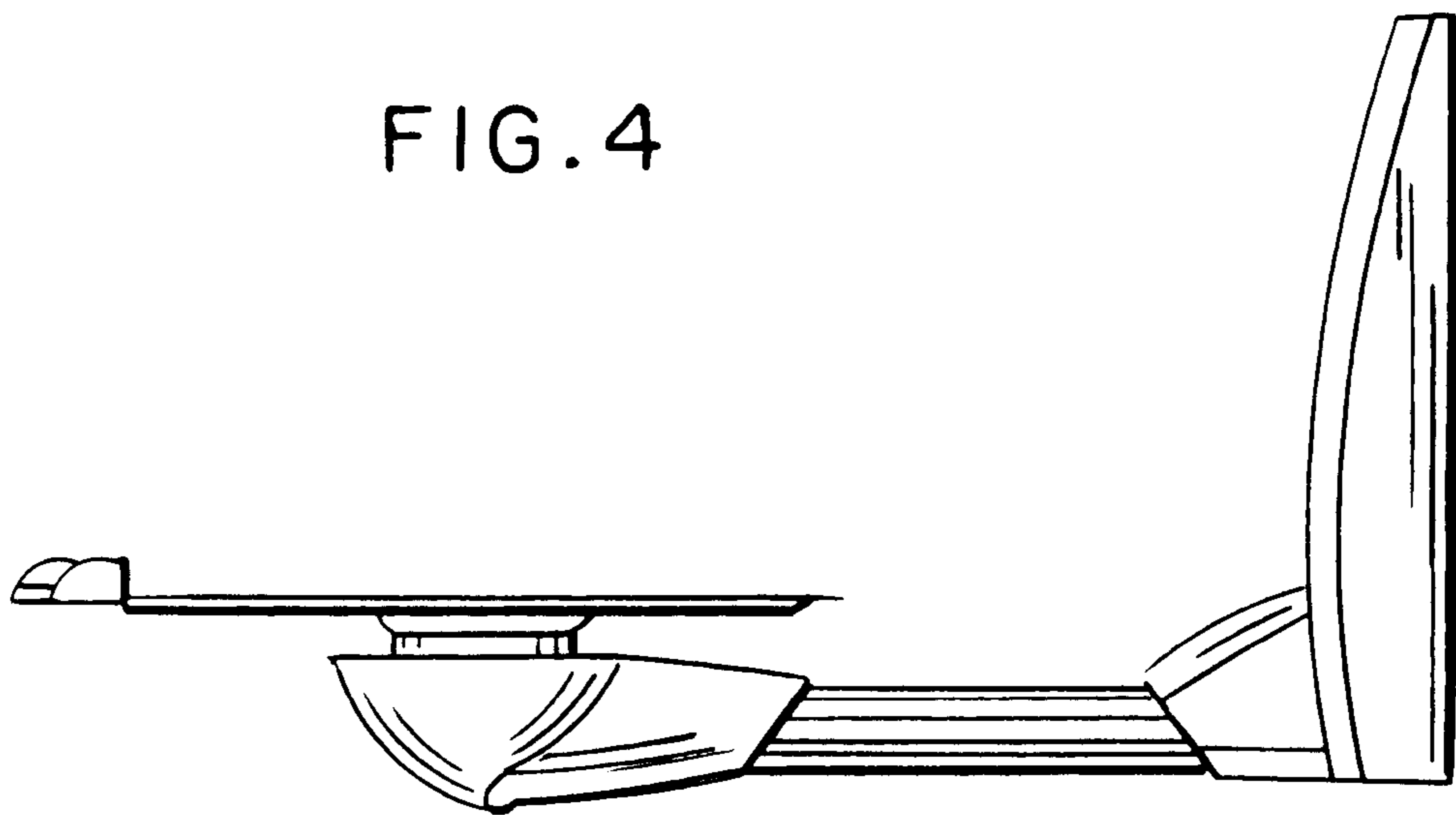
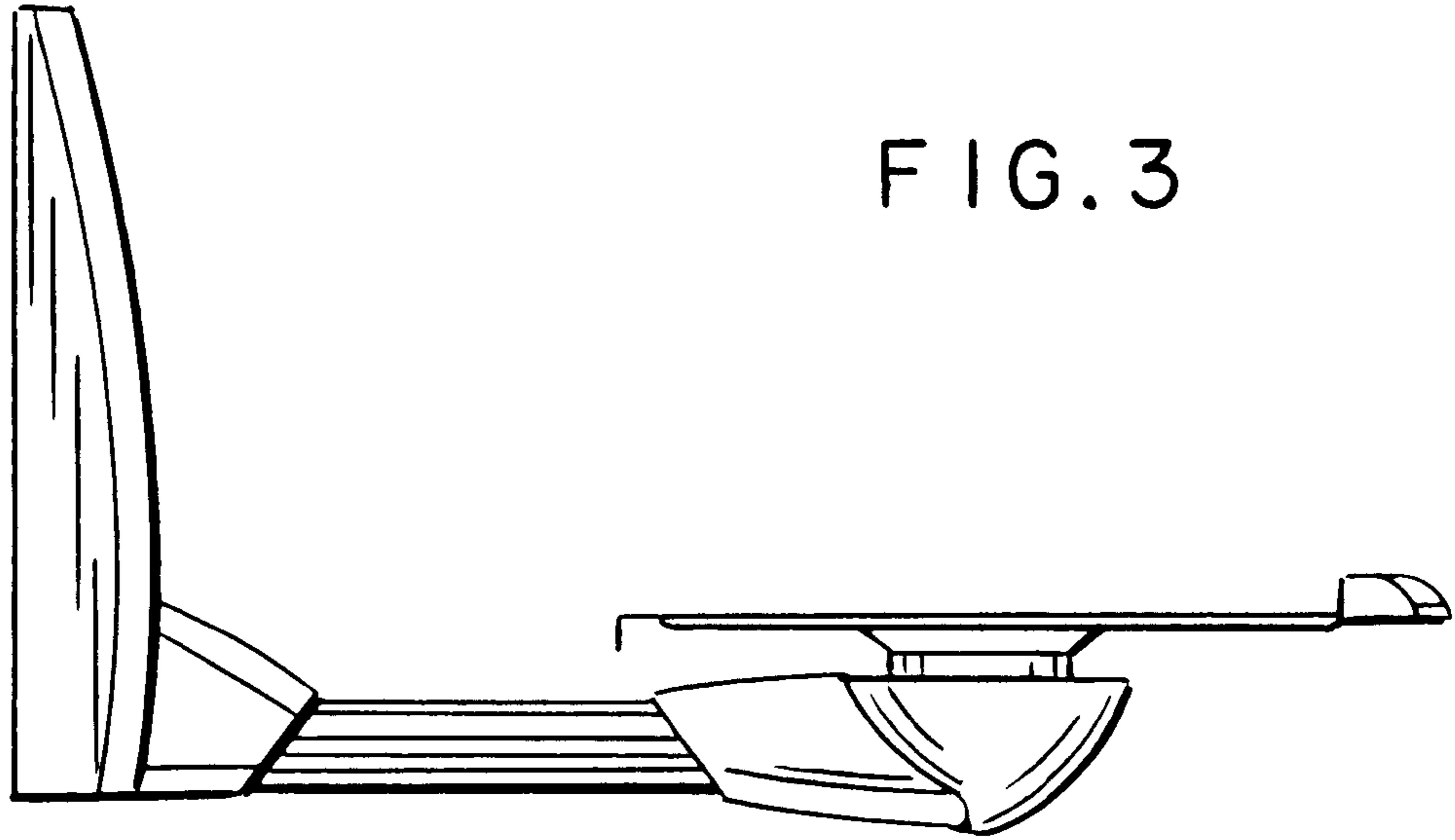
DESCRIPTION

FIG. 1 is a top, front, and left side perspective view of a TV support showing my new design;
FIG. 2 is a bottom, front, and left side perspective view thereof;
FIG. 3 is a left side elevational view thereof;
FIG. 4 is a right side elevational view thereof;
FIG. 5 is a front elevational view thereof;
FIG. 6 is a rear elevational view thereof;
FIG. 7 is a top plan view thereof; and,
FIG. 8 is a bottom plan view thereof.

1 Claim, 4 Drawing Sheets







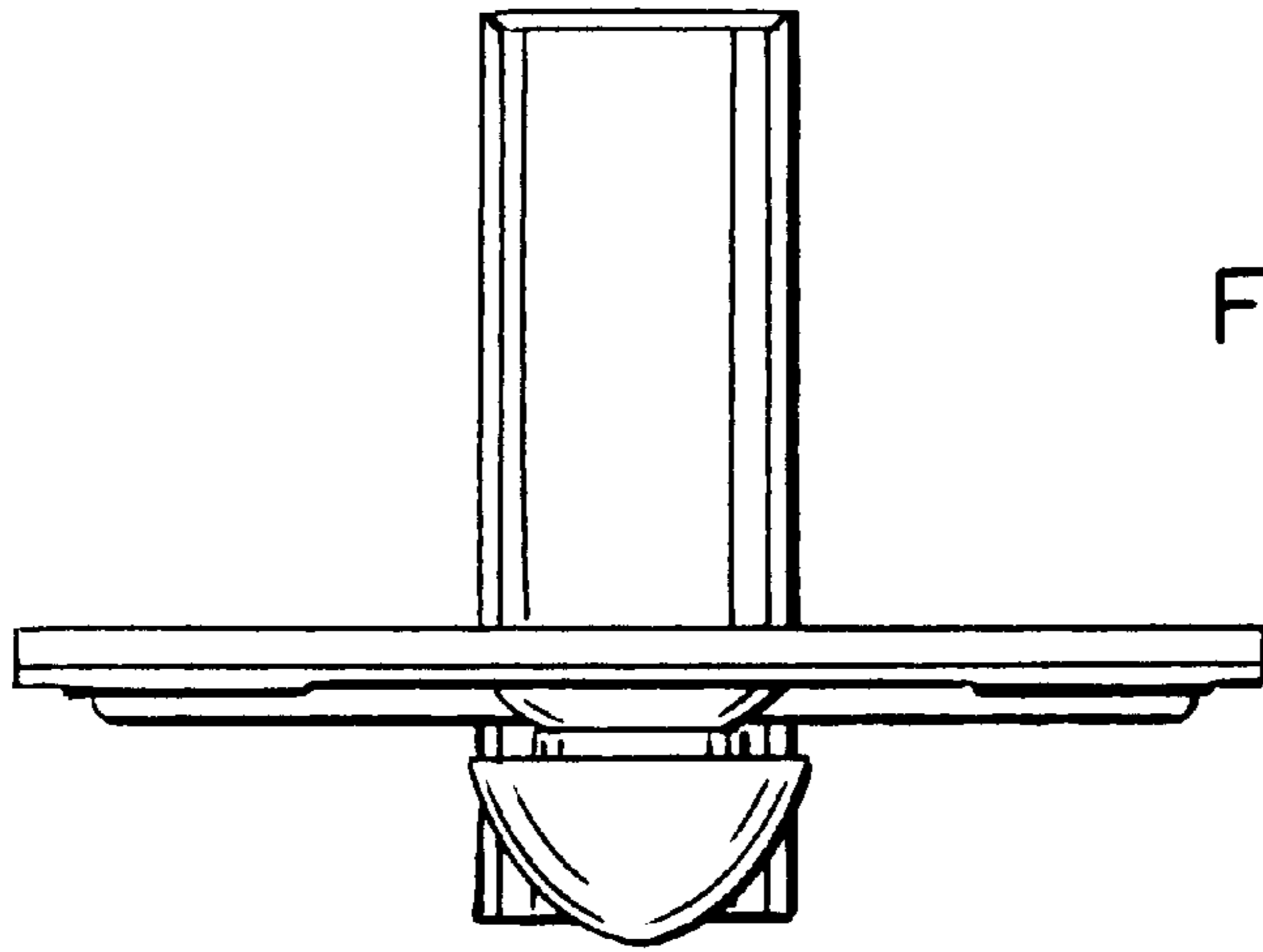


FIG. 5

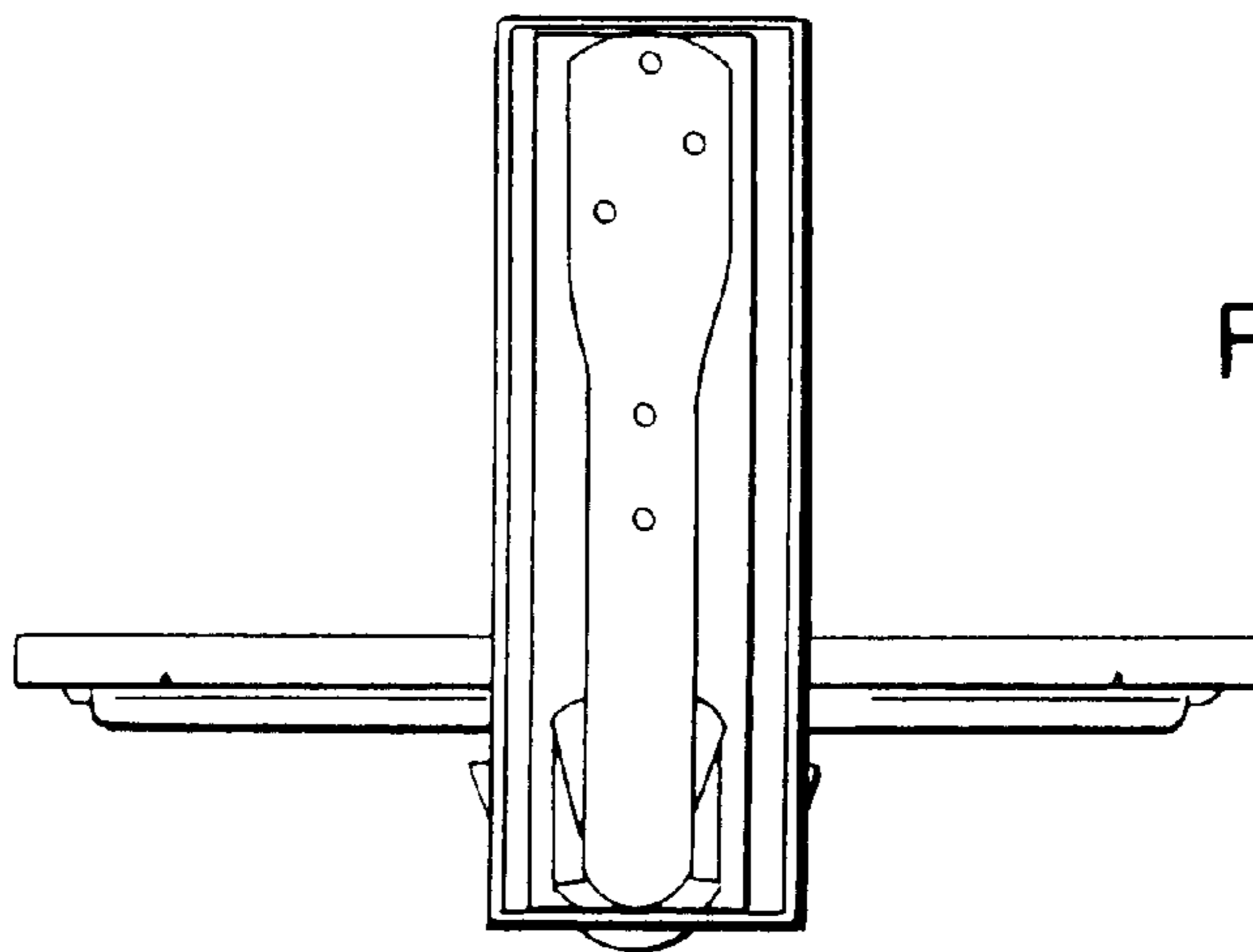


FIG. 6

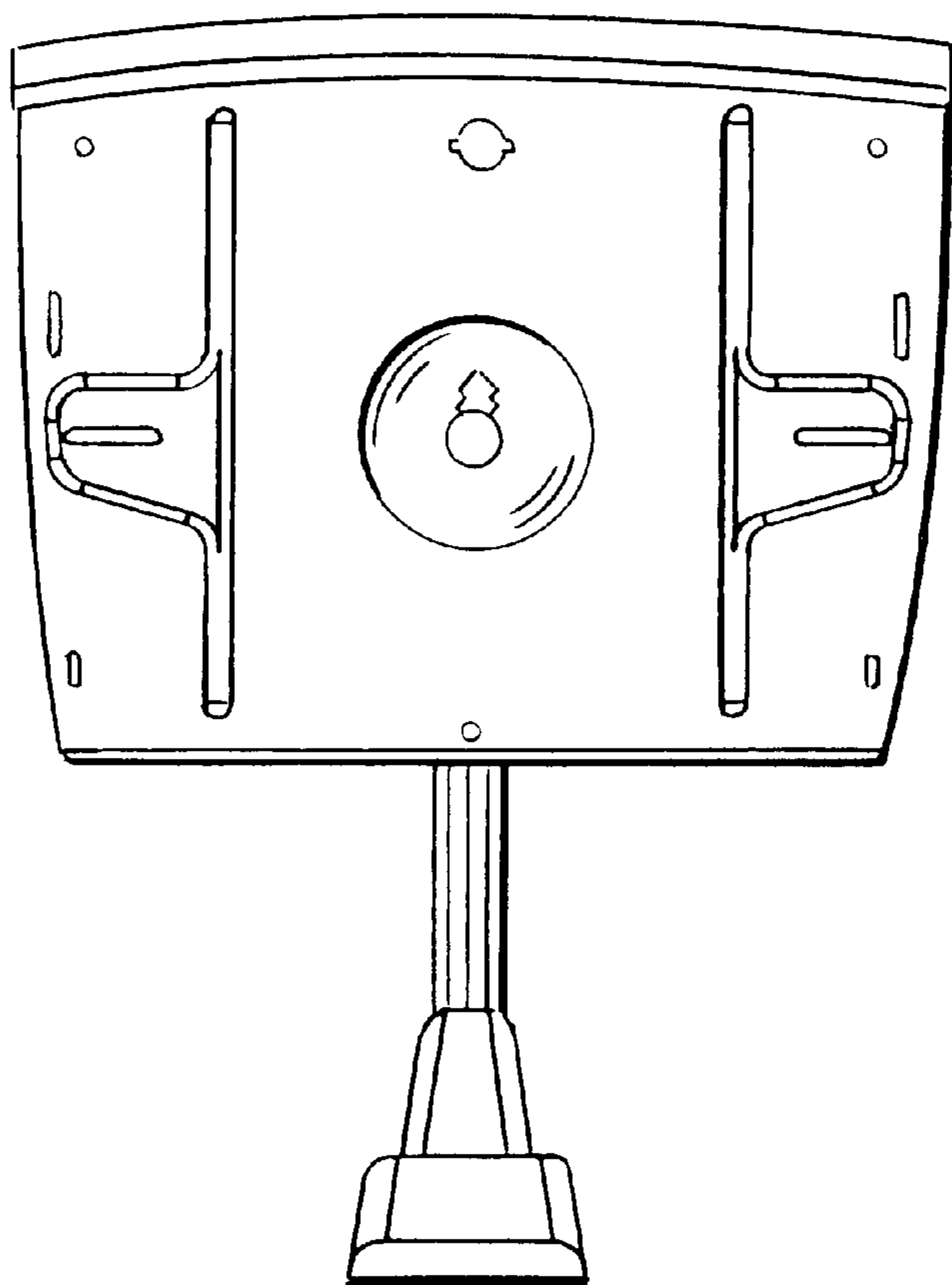


FIG. 7