



US00D411096S

# United States Patent [19]

Gordin et al.

[11] Patent Number: Des. 411,096

[45] Date of Patent: \*\* Jun. 15, 1999

[54] SPACER BETWEEN POLE AND CROSS-ARM

[75] Inventors: Myron K. Gordin; Timothy J. Boyle, both of Oskaloosa, Iowa

[73] Assignee: Musco Corporation, Oskaloosa, Iowa

[\*\*] Term: 14 Years

[21] Appl. No.: 29/087,982

[22] Filed: May 13, 1998

[51] LOC (6) Cl. .... 08-05

[52] U.S. Cl. .... D8/349

[58] Field of Search ..... D8/354; 248/300, 248/200, 68.1, 74.1-74.4; 405/205

### [56] References Cited

#### U.S. PATENT DOCUMENTS

- 453,286 6/1891 Lieb .
- 595,600 12/1897 Buck .
- 732,223 6/1903 Rhoades .
- 1,083,120 12/1913 May .
- 1,567,301 12/1925 Ross .
- 2,036,771 4/1936 Pfistershammer .
- 3,646,401 2/1972 Freegard et al. .
- 3,713,262 1/1973 Jatcko .
- 3,865,498 2/1975 Okuto et al. .
- 3,958,381 5/1976 Meyer .
- 3,991,532 11/1976 Buxbom .
- 4,033,080 7/1977 Fukushima .
- 4,092,079 5/1978 Swanson .
- 4,190,881 2/1980 Drost et al. .
- 4,246,732 1/1981 Frehner .
- 4,272,929 6/1981 Hanson .
- 4,374,407 2/1983 Drost et al. .
- 4,393,435 7/1983 Petrina .
- 4,617,768 10/1986 Gebelius .
- 4,673,157 6/1987 Wells .
- 4,719,540 1/1988 San George et al. .
- 4,779,389 10/1988 Landers .
- 4,878,160 10/1989 Reneau et al. .

- 4,894,759 1/1990 Siems .
- 5,023,520 6/1991 Costa .
- 5,600,537 2/1997 Gordin et al. .

#### FOREIGN PATENT DOCUMENTS

- 876891 11/1942 France .
- 2536780 6/1984 France .
- 2255713 5/1974 Germany .
- 2708664 9/1977 Germany .
- 3440531C1 3/1986 Germany .
- 135629 3/1961 U.S.S.R. .
- 426074 3/1935 United Kingdom .
- 705891 3/1954 United Kingdom .
- 717699 11/1954 United Kingdom .

#### OTHER PUBLICATIONS

Centrecon Sportsliner II/50 (Brochure) (Prior to Feb. 6, 1991) 4 pages.  
 Centrecon, Inc., FL Series Floodlighting (Brochure) (Prior to Feb. 6, 1991), 2 pgs.

*Primary Examiner*—Holly Baynham  
*Attorney, Agent, or Firm*—Zarley, McKee, Thomte, Voorhees & Sease

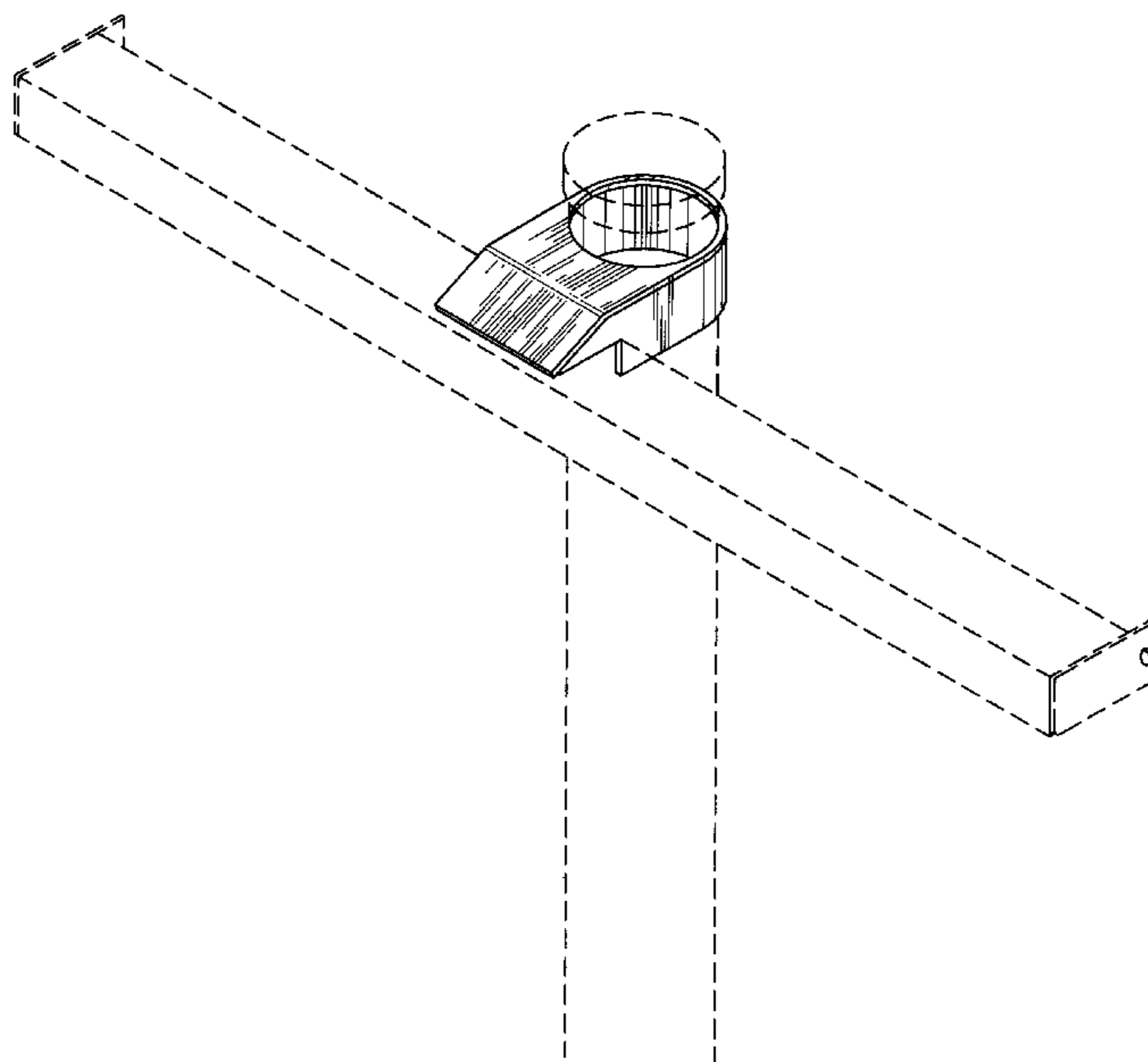
### [57] CLAIM

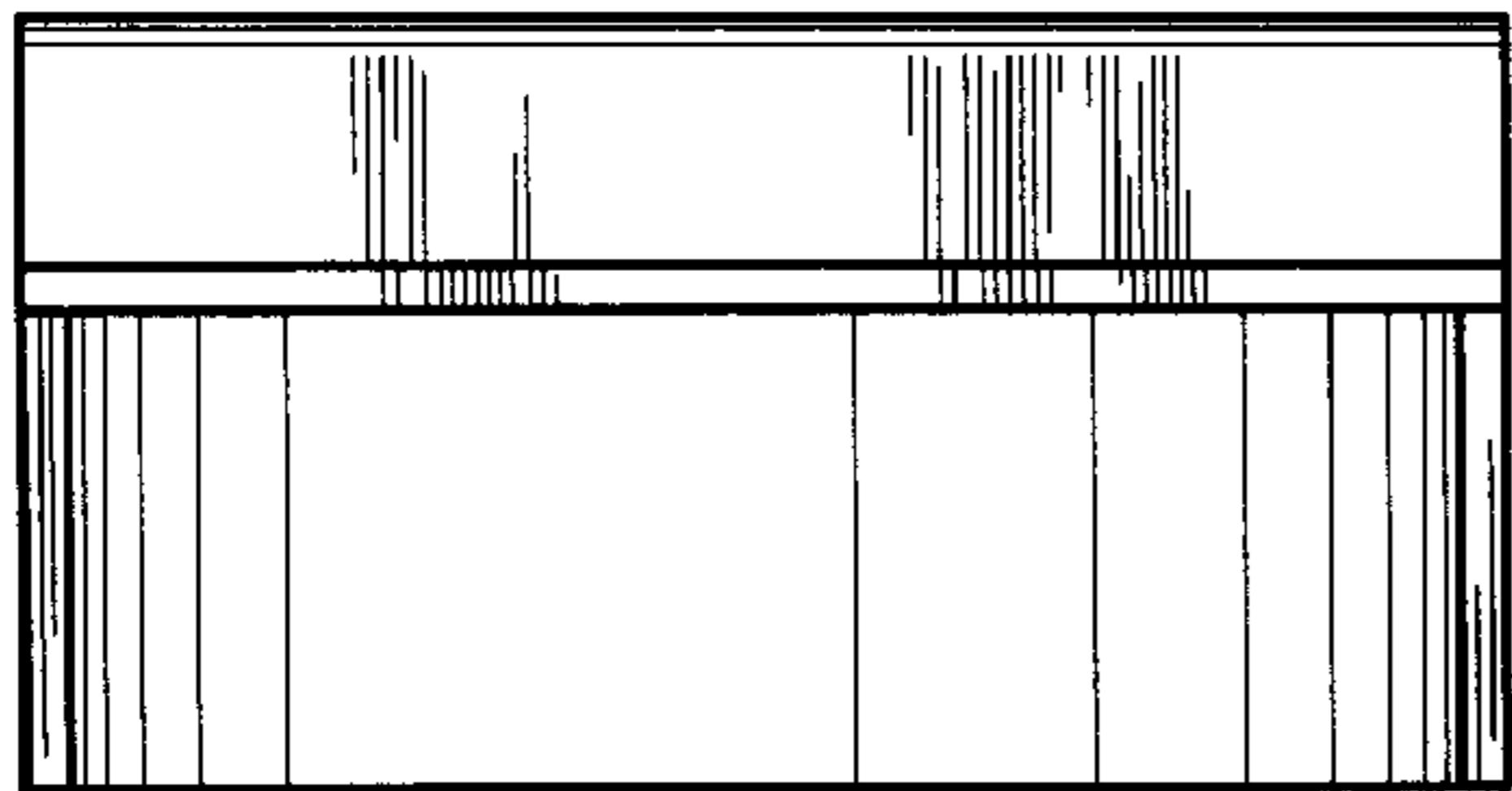
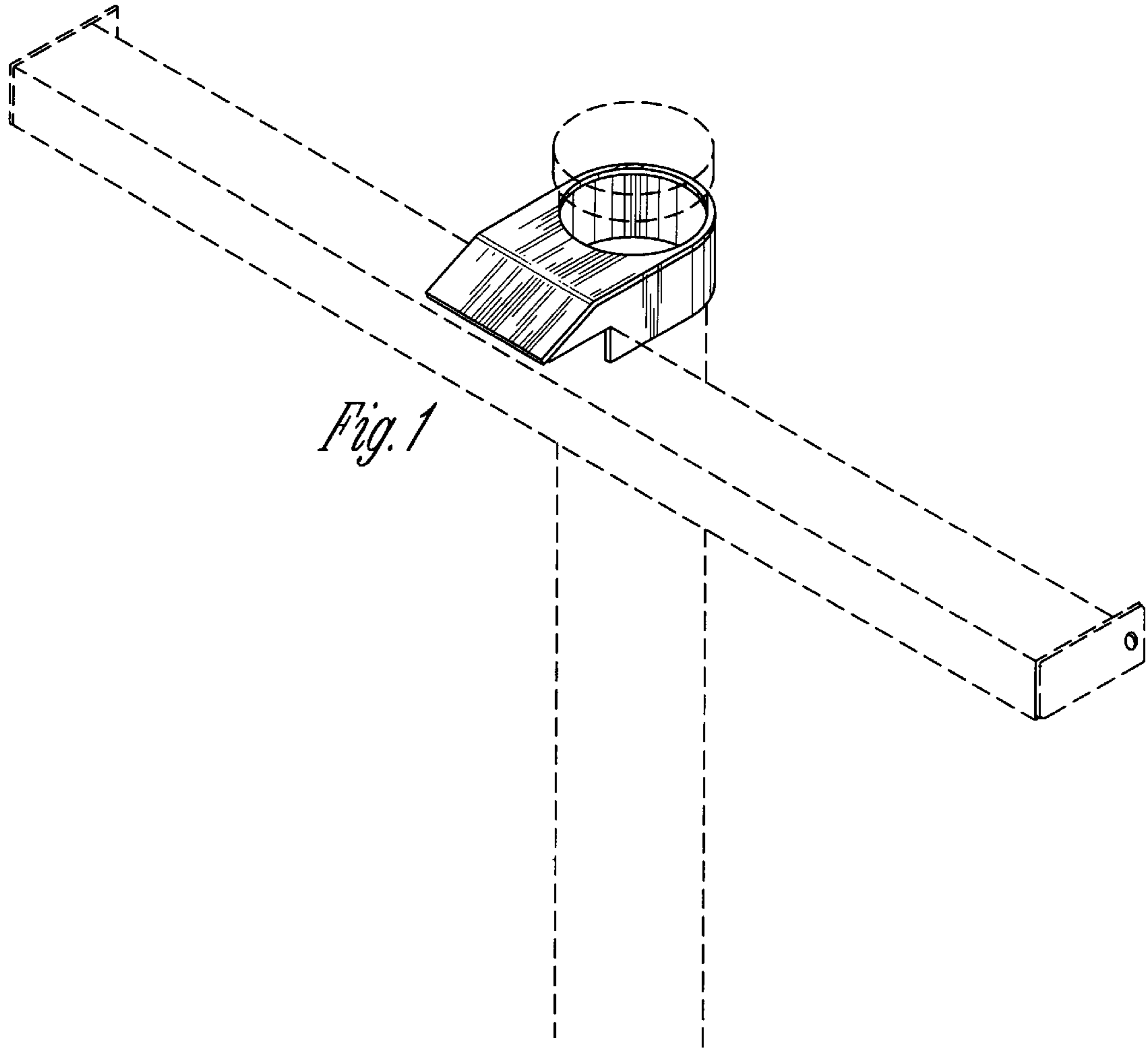
We claim the ornamental design for a spacer between pole and cross-arm, as shown.

#### DESCRIPTION

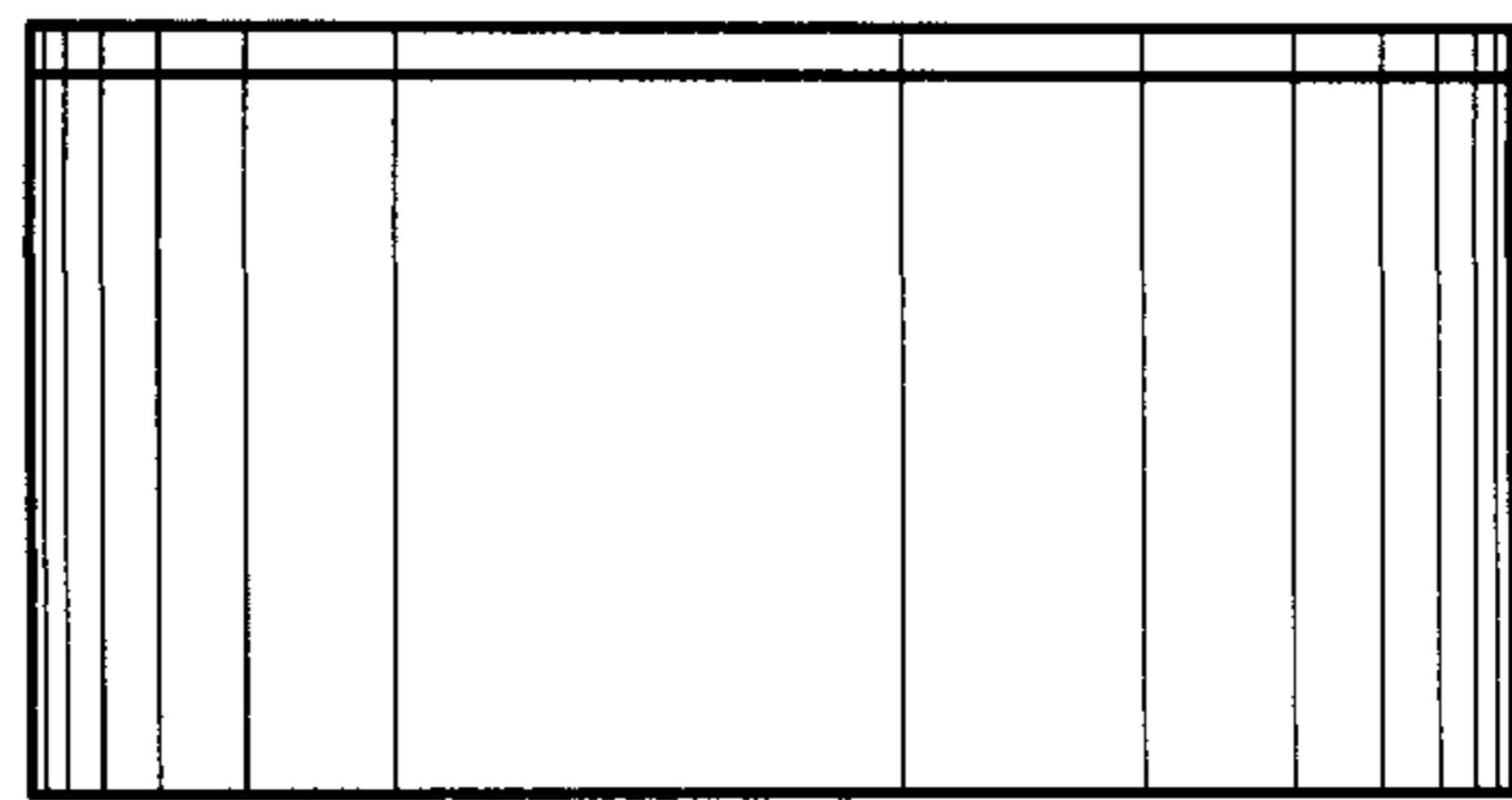
FIG. 1 is a perspective view of the invention with the broken line showing of a pole and a cross-arm being for illustrative purposes only and forming no part of the claimed design; FIG. 2 is an enlarged front elevational view. FIG. 3 is a rear elevational view. FIG. 4 is a top plan view. FIG. 5 is a side elevational view with the opposite side being a mirror image thereof; and, FIG. 6 is a bottom plan view.

1 Claim, 2 Drawing Sheets

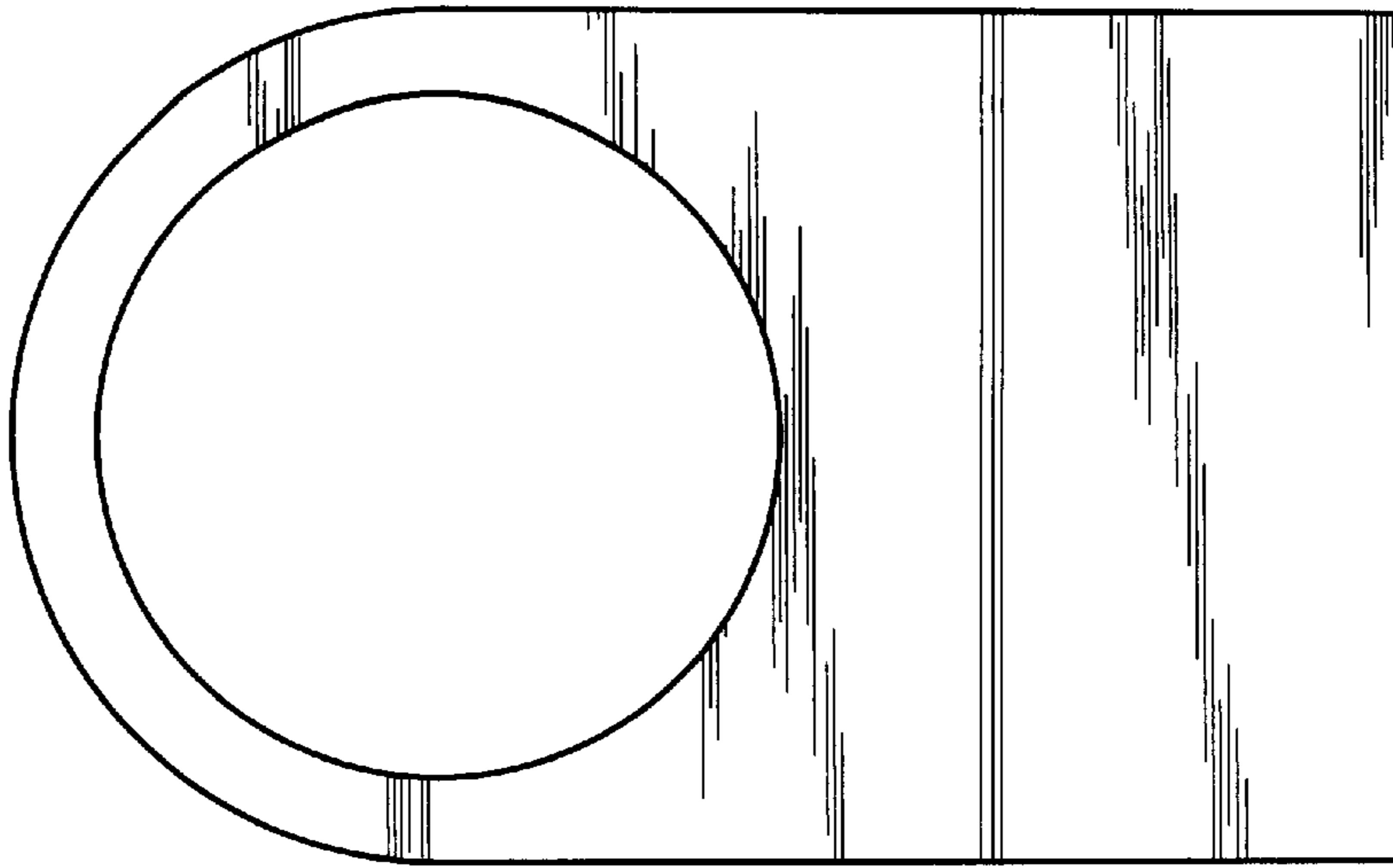




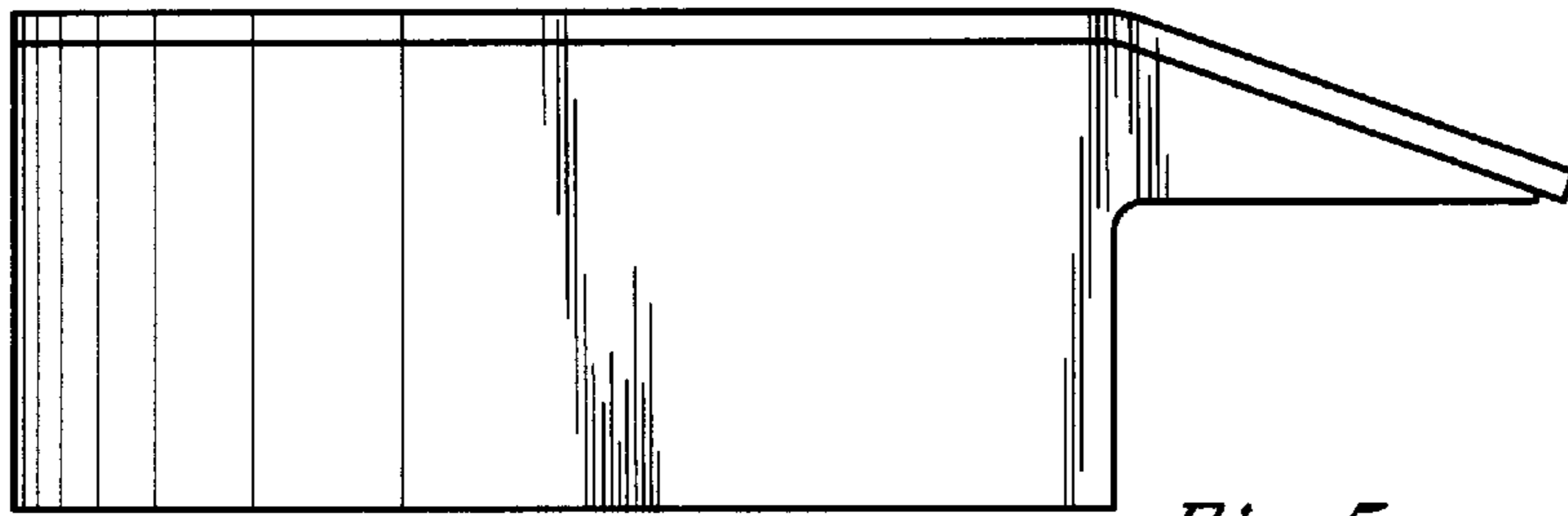
*Fig. 2*



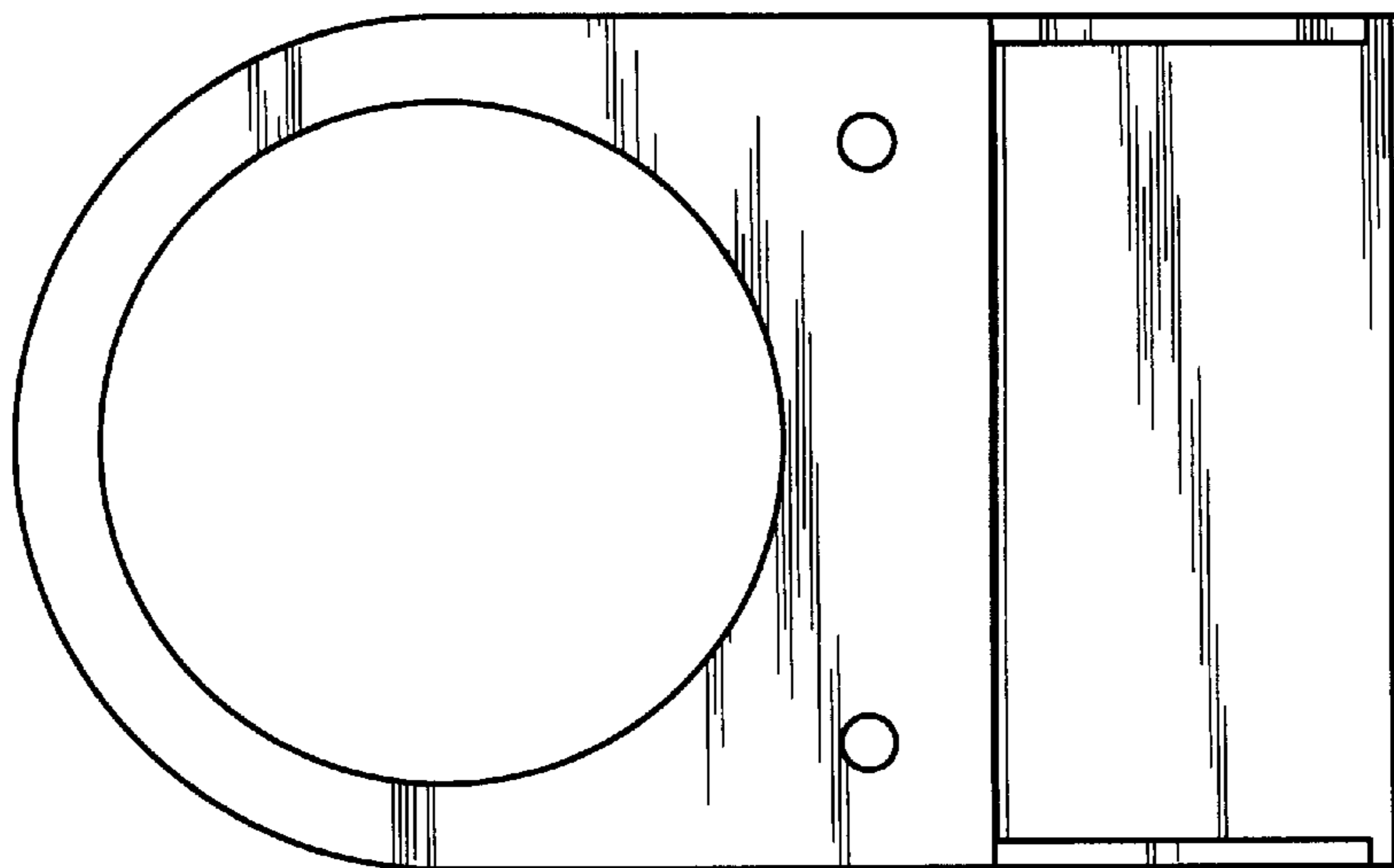
*Fig. 3*



*Fig. 4*



*Fig. 5*



*Fig. 6*