



US00D411094S

United States Patent [19] Schultz

[11] **Patent Number: Des. 411,094**
[45] **Date of Patent: ** Jun. 15, 1999**

[54] **TILT-LATCH**
[75] **Inventor: Steven E. Schultz, Demotte, Ind.**
[73] **Assignee: Ashland Products, Inc., Lowell, Ind.**
[**] **Term: 14 Years**
[21] **Appl. No.: 29/092,391**
[22] **Filed: Aug. 18, 1998**

4,622,778 11/1986 Simpson .
4,669,765 6/1987 Ullman 292/153
4,790,579 12/1988 Maxwell et al. .
4,791,756 12/1988 Simpson .
4,824,154 4/1989 Simpson .
4,837,975 6/1989 Simpson 292/153 X
4,901,475 2/1990 Simpson .
4,917,413 4/1990 Jason et al. .
5,028,083 7/1991 Mischenko .
5,068,932 12/1991 Chang .
5,096,240 3/1992 Schultz 292/153
5,121,951 6/1992 Harbom et al. .
5,121,952 6/1992 Jason .
5,139,291 8/1992 Schultz .
5,165,737 11/1992 Riegelman .
5,618,067 4/1997 Carlson et al. .
5,669,639 9/1997 Lawrence .
5,671,958 9/1997 Szapucki et al. .

Related U.S. Application Data

[63] Continuation-in-part of application No. 09/121,289, Jul. 22, 1998.
[51] **LOC (6) Cl. 08-07**
[52] **U.S. Cl. D8/343**
[58] **Field of Search D8/330, 331, 336-338; 252/DIG. 20, DIG. 30, DIG. 31, DIG. 35, DIG. 47, 194, 200, 236, 338, 66, 175, 153**

Primary Examiner—Brian N. Vinson
Attorney, Agent, or Firm—Wallenstein & Wagner, Ltd.

[56] References Cited

[57] CLAIM

I claim the ornamental design for a tilt-latch, as shown and described.

U.S. PATENT DOCUMENTS

16,228 12/1856 Copeland .
D. 371,502 7/1996 Morris D8/331
D. 380,370 7/1997 Carlson et al. D8/331 X
D. 396,397 7/1998 Swan D8/331
1,781,729 11/1930 Major .
2,568,273 9/1951 Clark .
2,965,935 12/1960 Olsen .
3,080,621 3/1963 Mendelsohn .
3,122,797 3/1964 Segre .
4,167,835 9/1979 Nobes et al. .
4,400,026 8/1983 Brown, Jr. 292/DIG. 47 X
4,475,311 10/1984 Gibson 292/153 X
4,553,353 11/1985 Simpson .
4,578,903 4/1986 Simpson .
4,581,850 4/1986 Simpson .

DESCRIPTION

FIG. 1 is a perspective view of a tilt-latch, embodying the new design;
FIG. 2 is a front elevational view of the tilt-latch;
FIG. 3 is a rear elevational view of the tilt-latch;
FIG. 4 is a top plan view of the tilt-latch;
FIG. 5 is a side elevational view of the tilt-latch; and,
FIG. 6 is an opposite side elevational view of the tilt-latch. The underside of the tilt-latch is plain and unornamented. The broken-line disclosure in the views is for illustrative purposes only and forms no part of the claimed design.

1 Claim, 1 Drawing Sheet

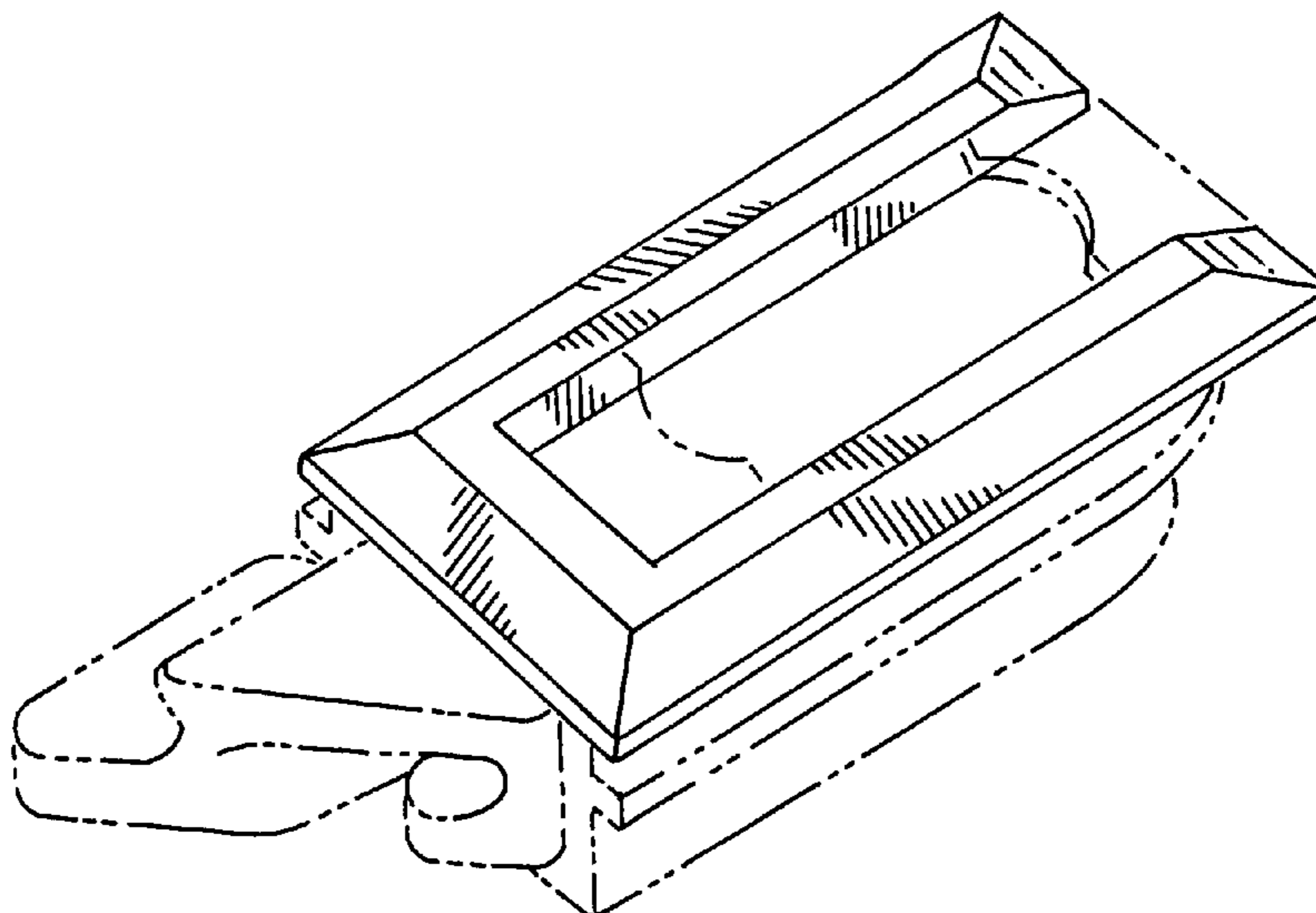


FIG. 1

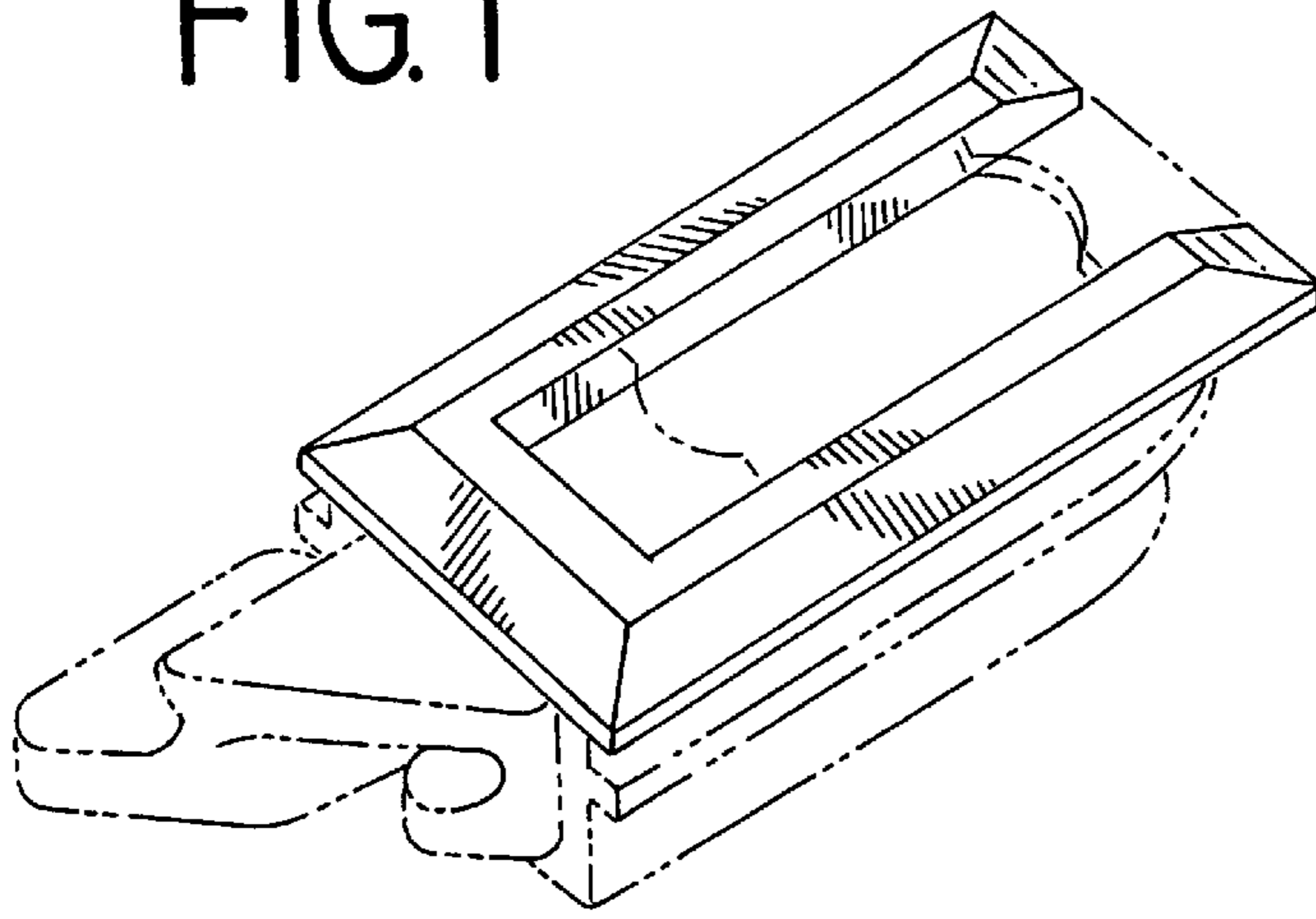


FIG. 2

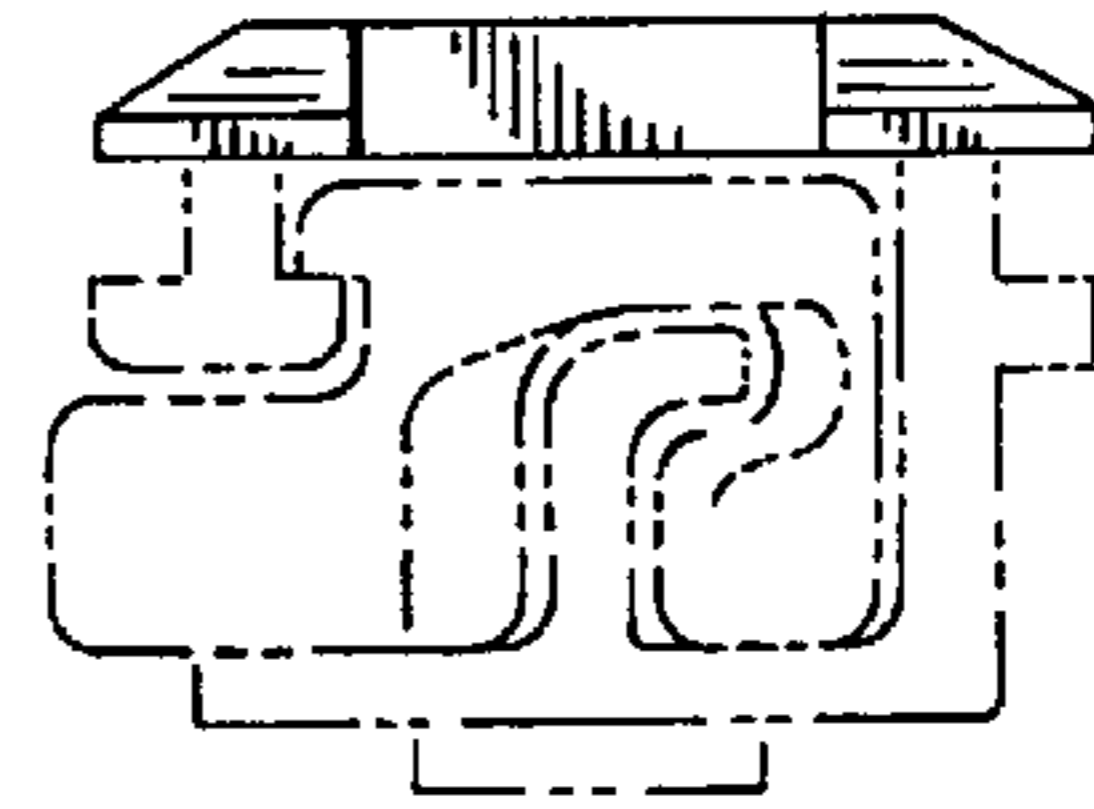


FIG. 3

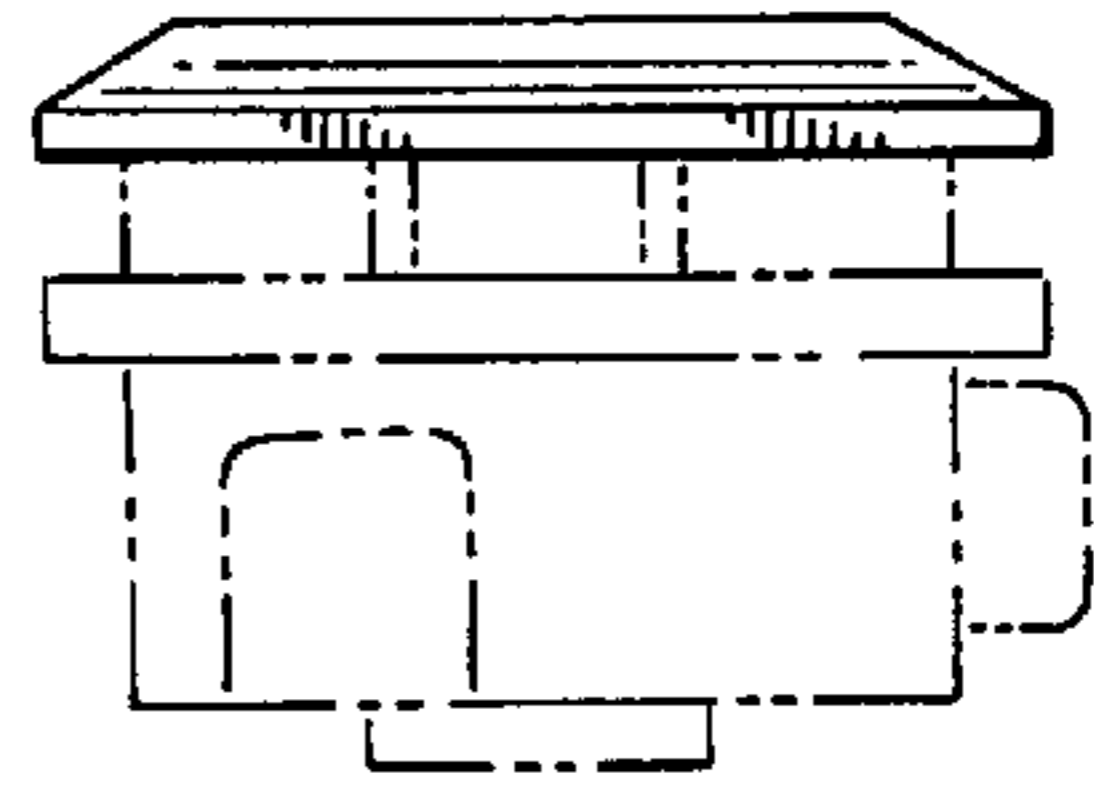


FIG. 4

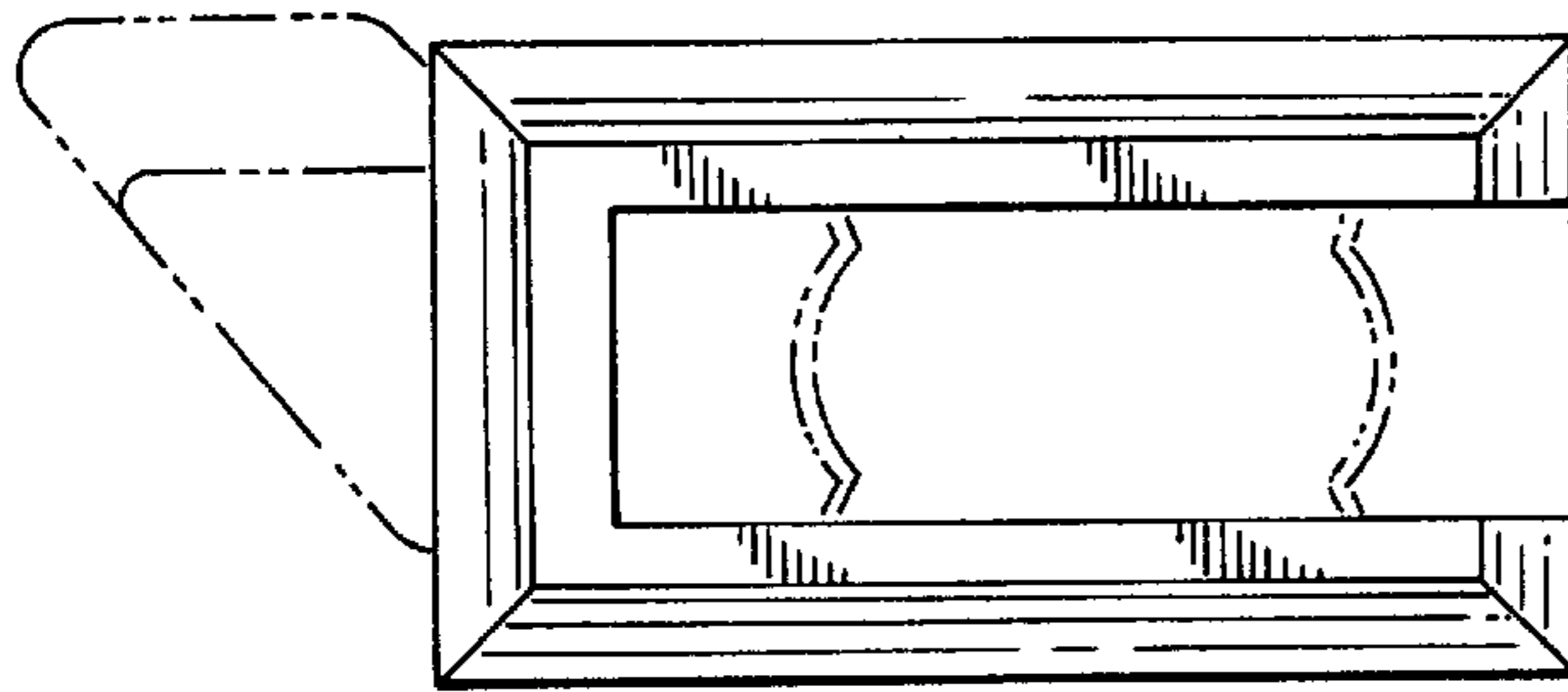


FIG. 5

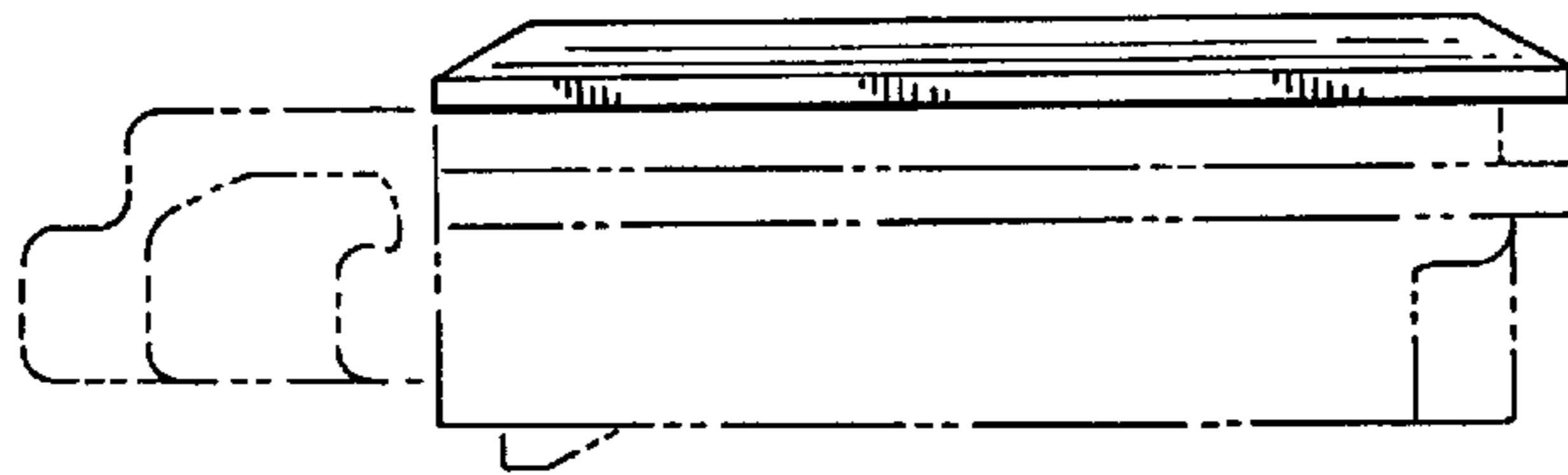


FIG. 6

