



US00D411093S

United States Patent [19]

[11] Patent Number: **Des. 411,093**

Selig et al.

[45] Date of Patent: **** Jun. 15, 1999**

[54] **WRAP AROUND PADDED HANDLE**

[57] **CLAIM**

[76] Inventors: **John W Selig; Elizabeth Selig**, both of
580 Hans Ave., Mountain View, Calif.
94040

The ornamental design for a wrap around padded handle, as shown and described.

[**] Term: **14 Years**

DESCRIPTION

[21] Appl. No.: **29/075,560**

FIG. 1 is a front elevational view of the wrap around padded handle of the present invention;

[22] Filed: **Aug. 21, 1997**

FIG. 2 is a back elevational view of the wrap around padded handle of FIG. 1;

[51] **LOC (6) Cl.** **08-06**

[52] **U.S. Cl.** **D8/321; D8/315; D9/434**

[58] **Field of Search** D8/300, 315-320,
D8/321, 322; D7/434; 16/110 R, 111 R,
116 R, 116 A, 120; 294/166; 40/325, 331

FIG. 3 is a cross sectional view along 3—3 of FIG. 2 of the wrap around padded handle of FIG. 1;

FIG. 4 is a left side elevational view of the wrap around padded handle FIG. 1, the right side being identical;

FIG. 5 is a top plan view of the wrap around padded handle of FIG. 1;

[56] **References Cited**

U.S. PATENT DOCUMENTS

121,273	11/1871	Bruns .	
1,618,854	2/1927	Worth .	
1,716,011	6/1929	Sprenger et al. .	
2,701,379	2/1955	Balistreri .	
2,705,987	4/1955	Schulte .	
4,556,245	12/1985	Gruenwald	16/110 R
5,133,101	7/1992	Hauser et al.	16/110 R

FIG. 6 is a bottom plan view of the wrap around padded handle of FIG. 1;

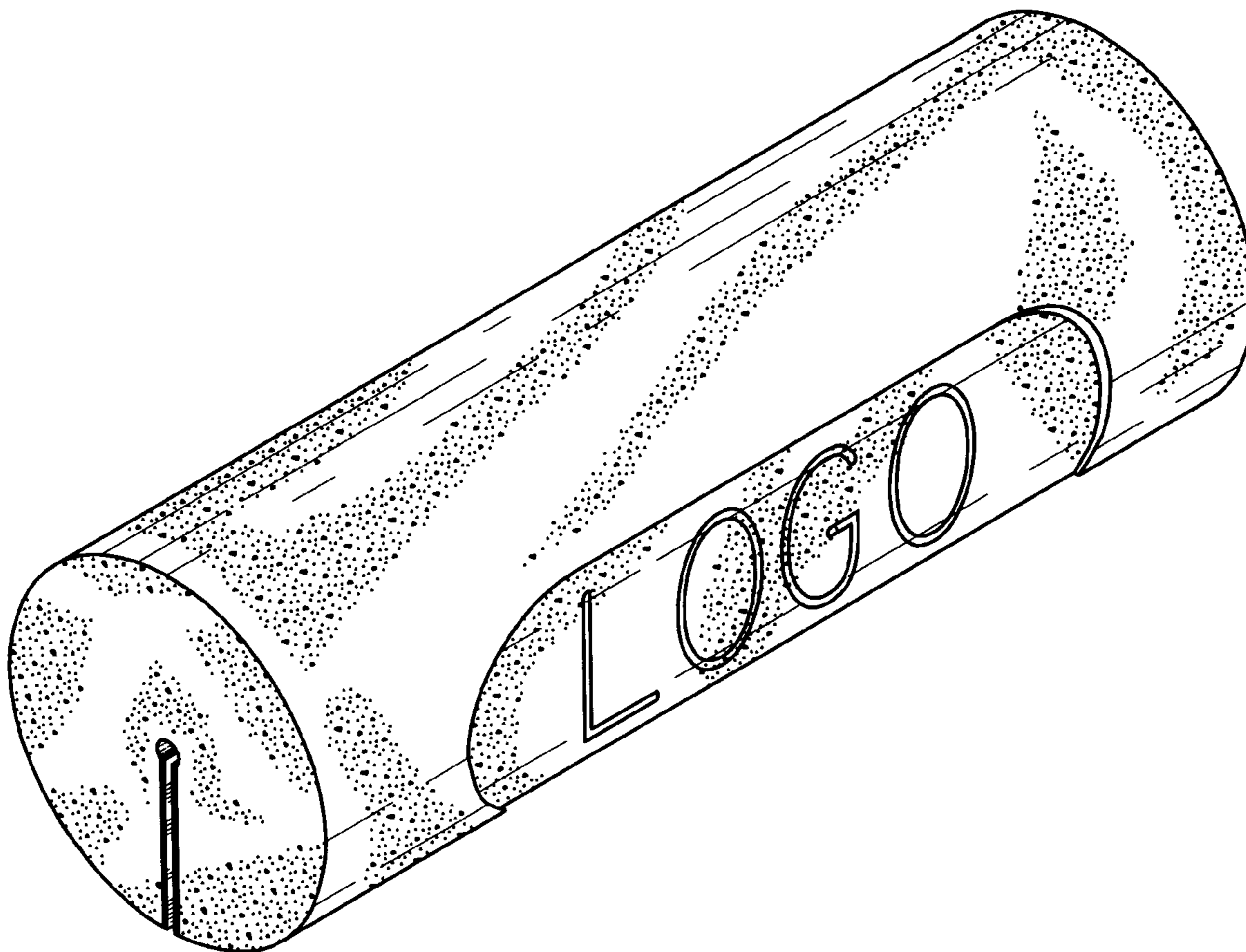
FIG. 7 is a cross sectional view along line 7—7 of FIG. 2 of the wrap around padded handle of FIG. 1; and,

FIG. 8 is a perspective view of the wrap around padded handle of FIG. 1.

The stippled shading which is partially shown in FIGS. 1, 2, 4-6 and 8 is understood to represent the material of manufacture and repeat uniformly across the entire surface of the design.

Primary Examiner—B. J. Bullock

1 Claim, 3 Drawing Sheets



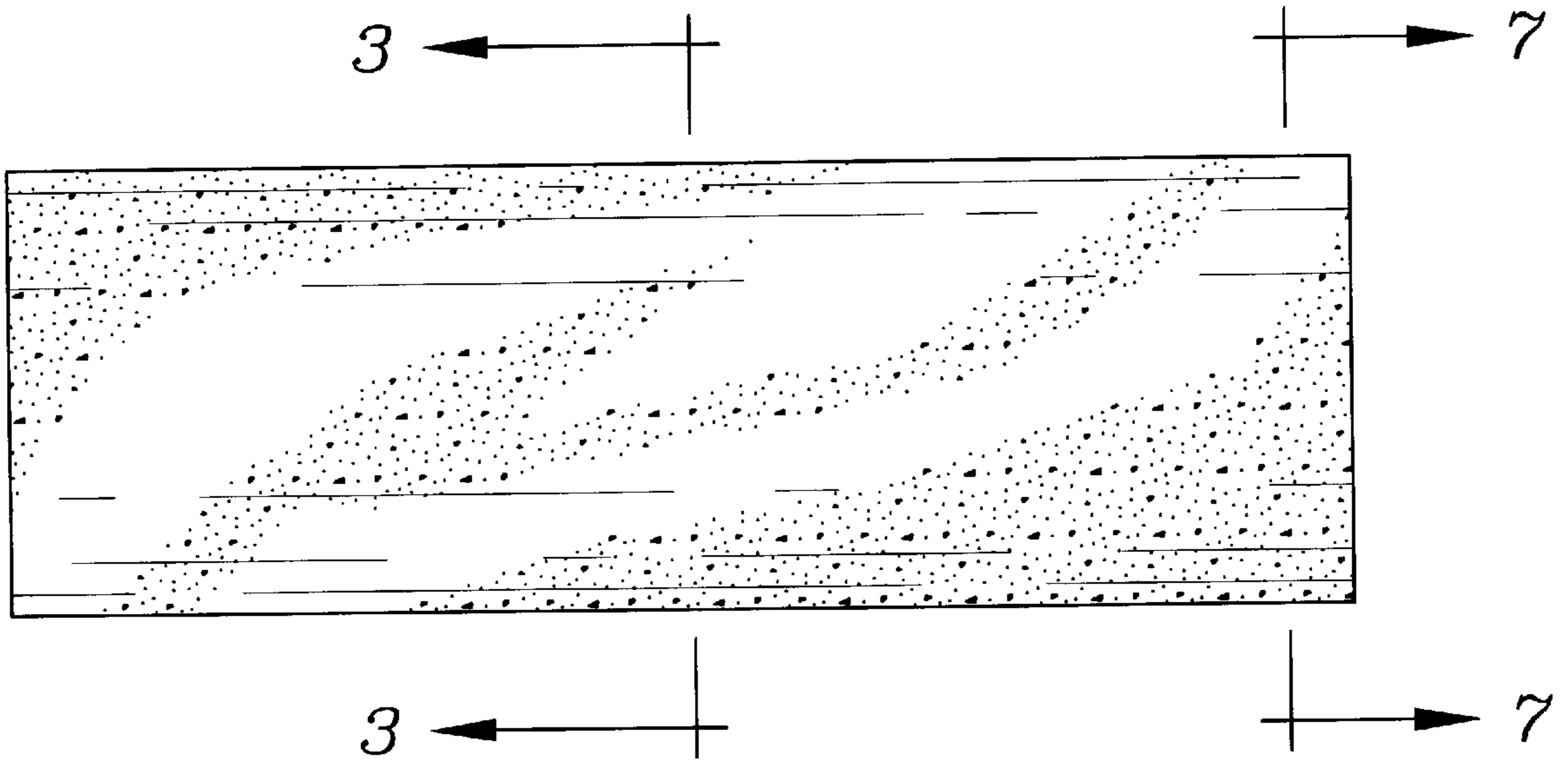


Fig. 2



Fig. 1

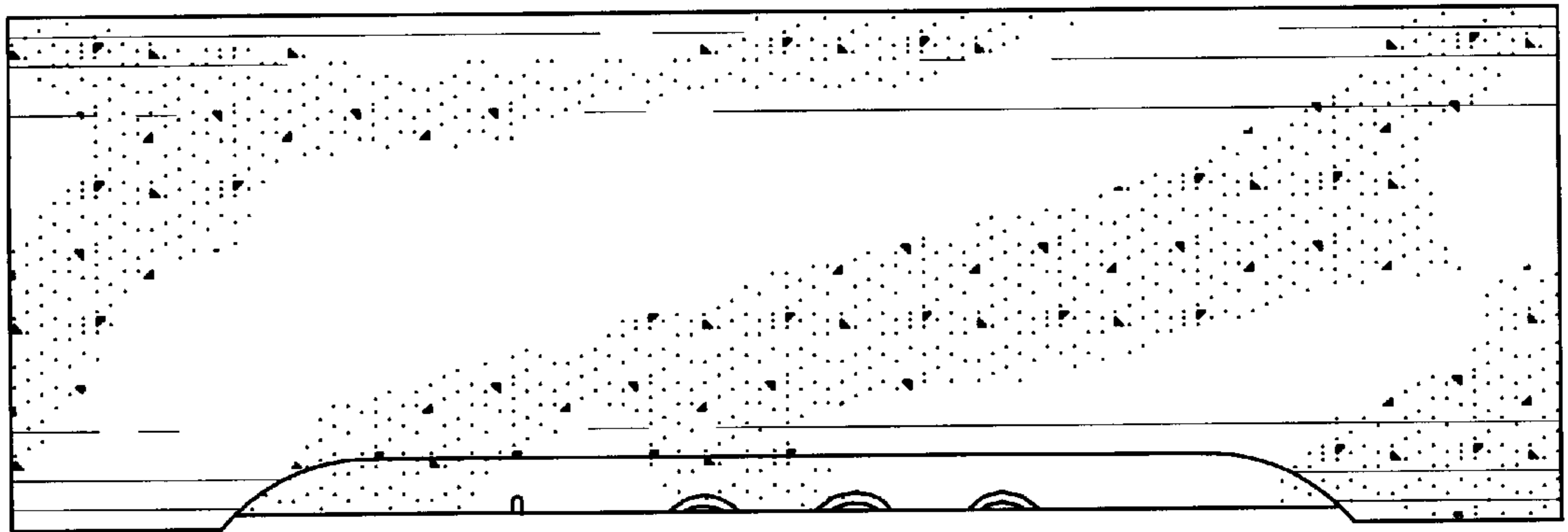


Fig. 5

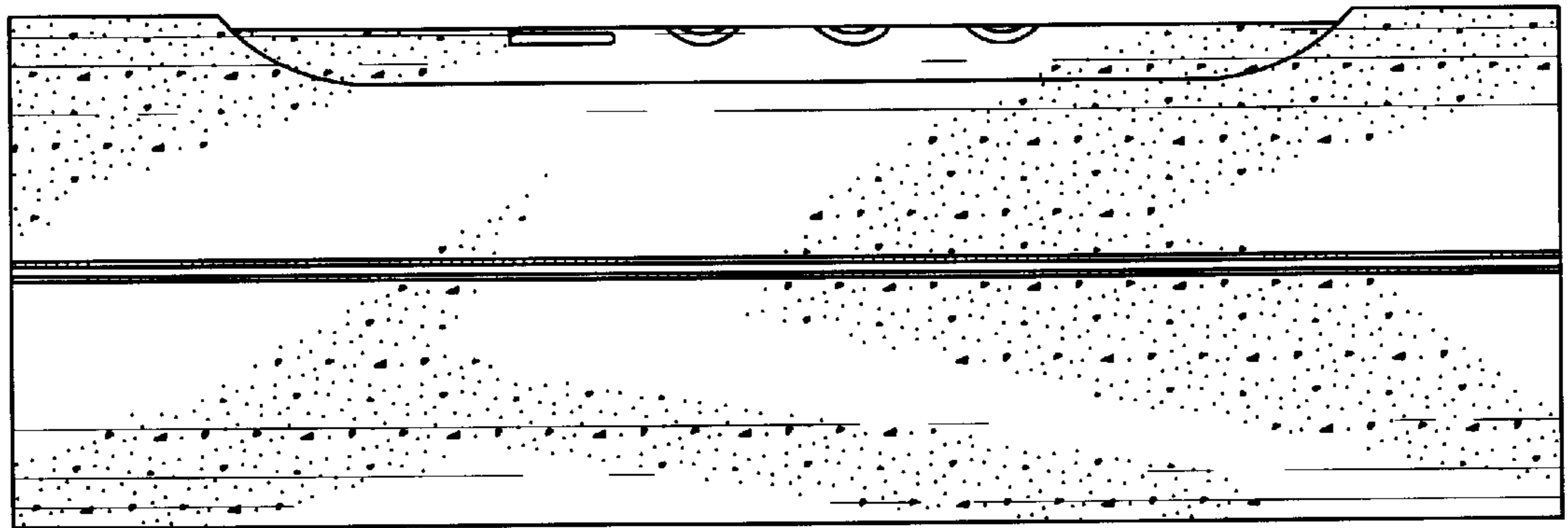


Fig. 6

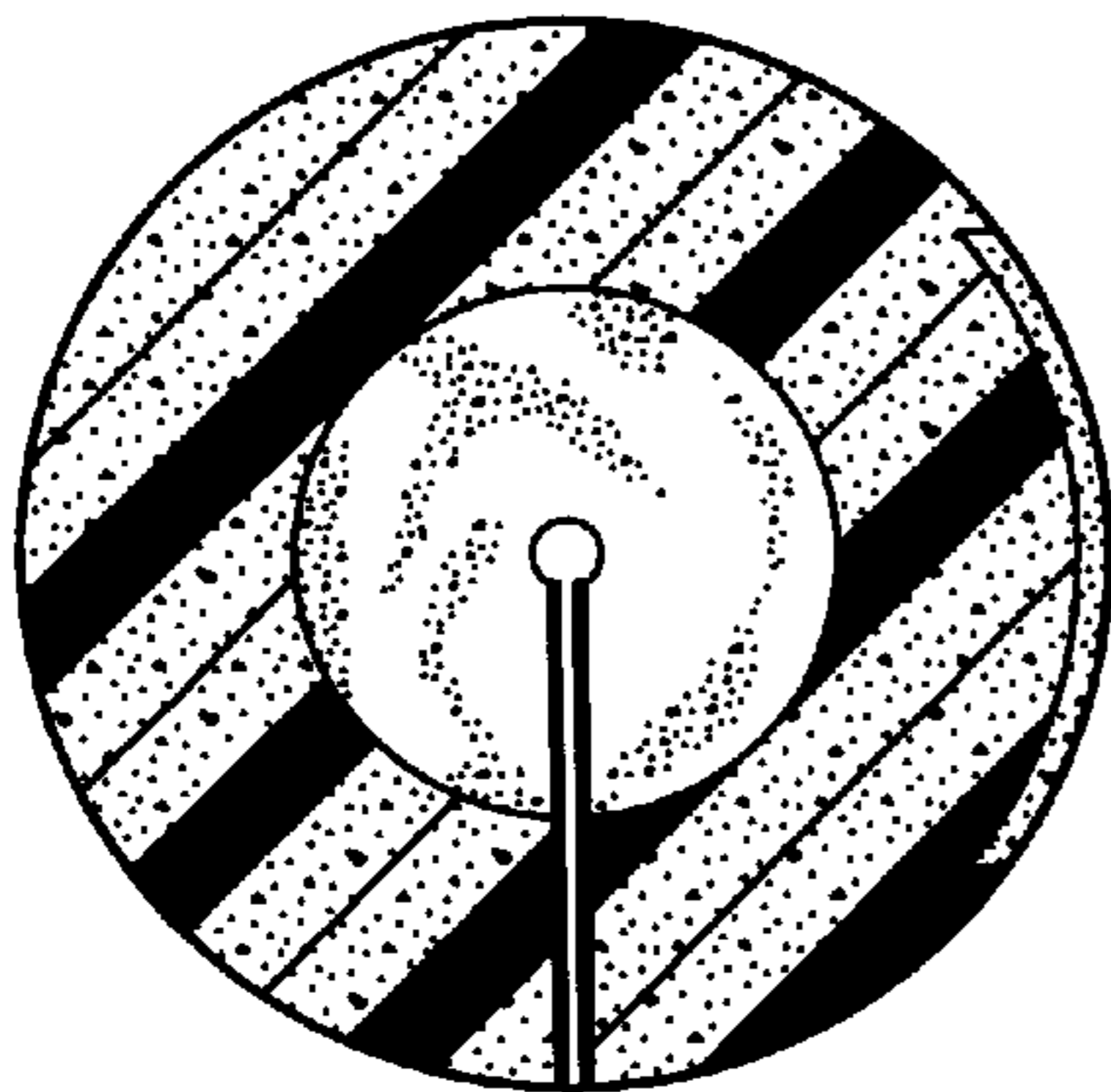


Fig. 3

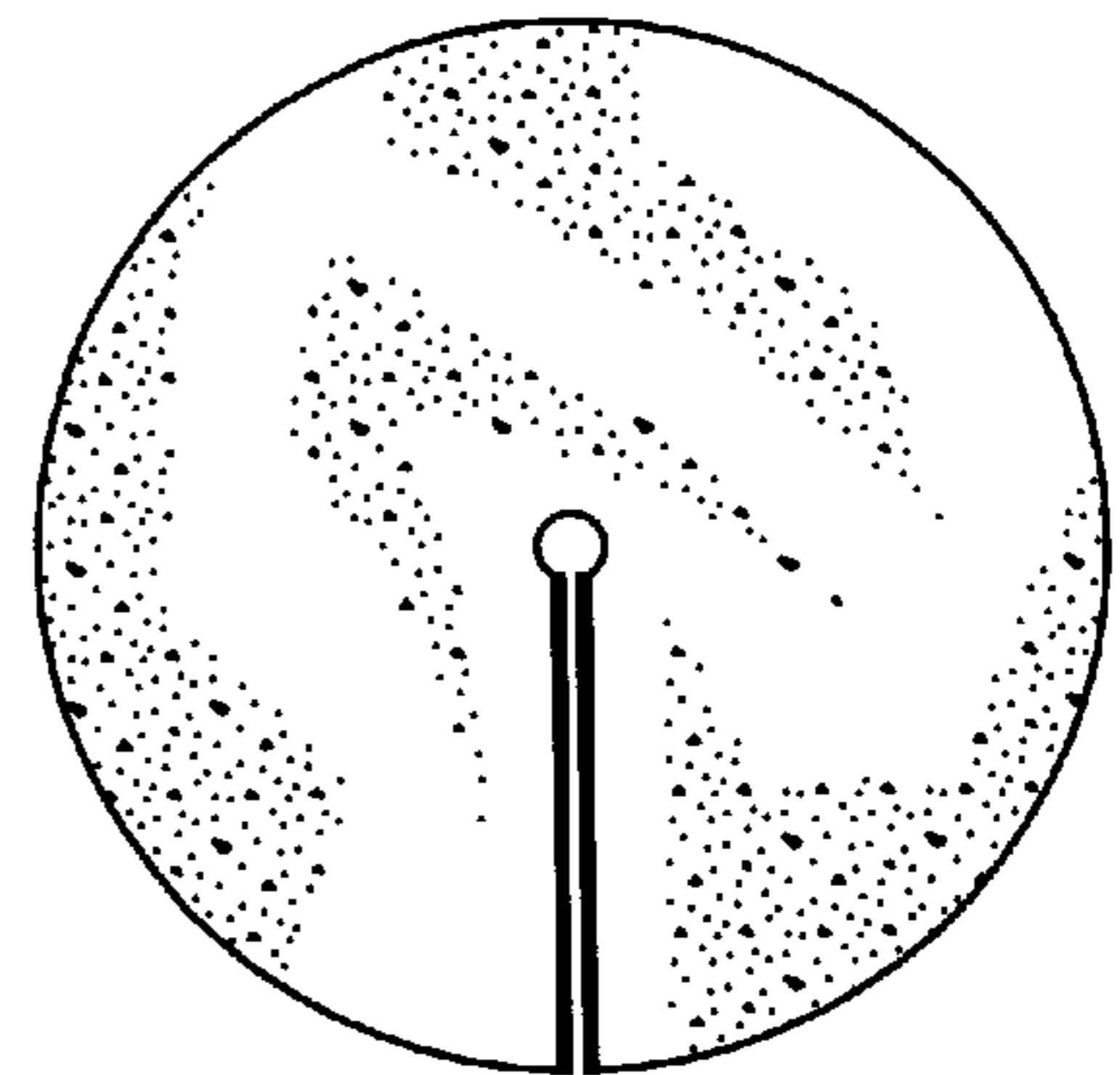


Fig. 4

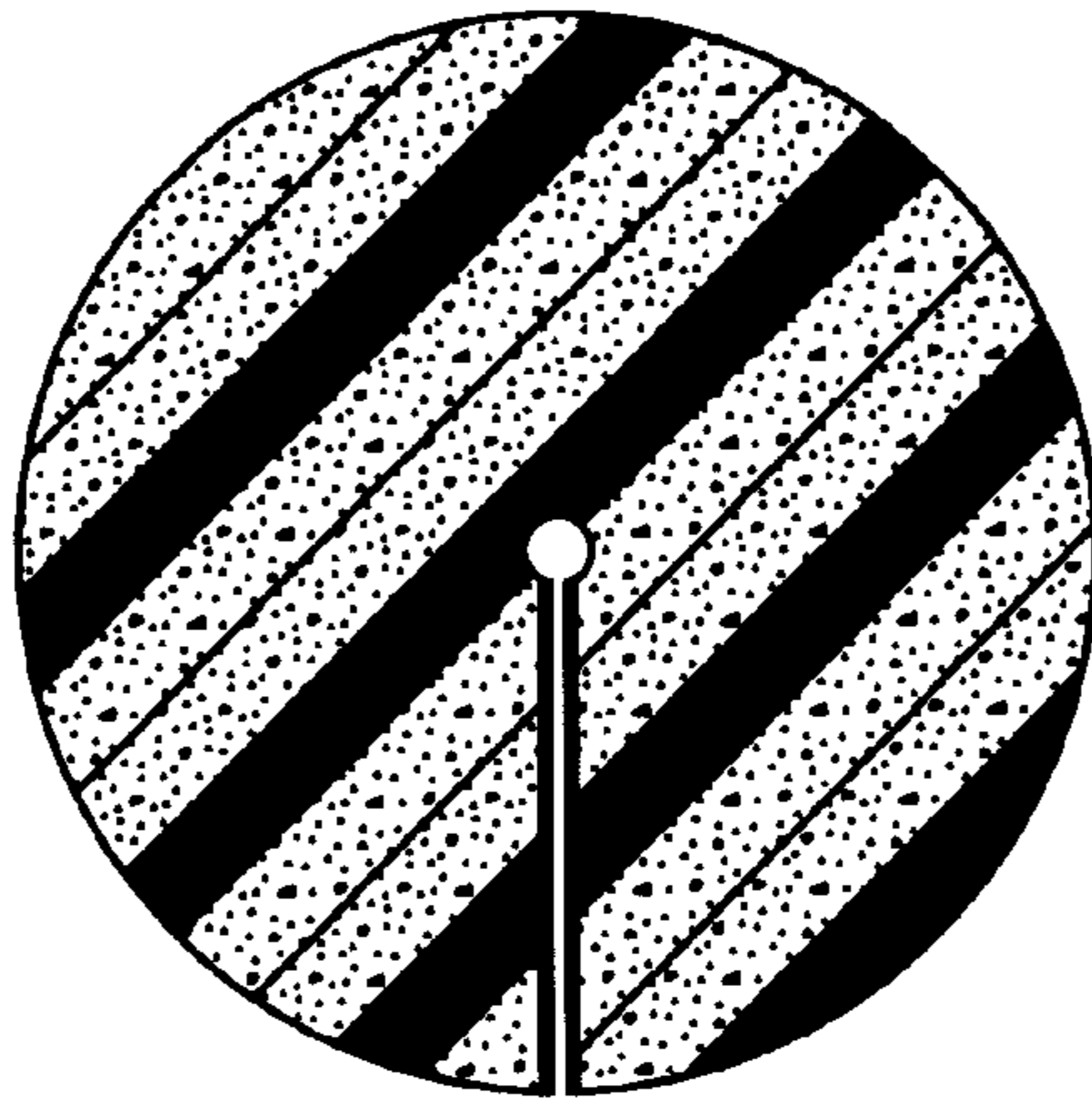


Fig. 7

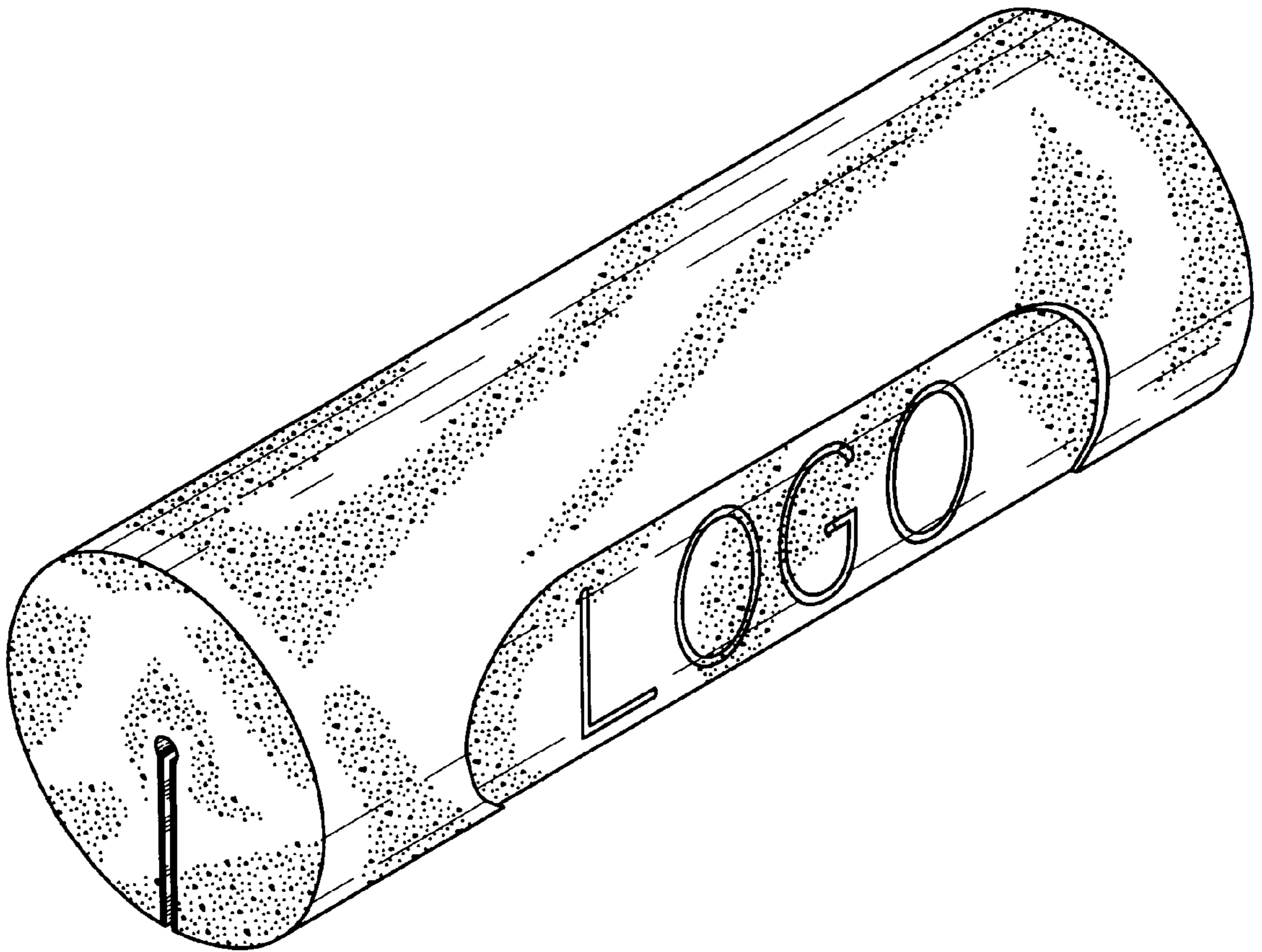


Fig. 8